

ACME

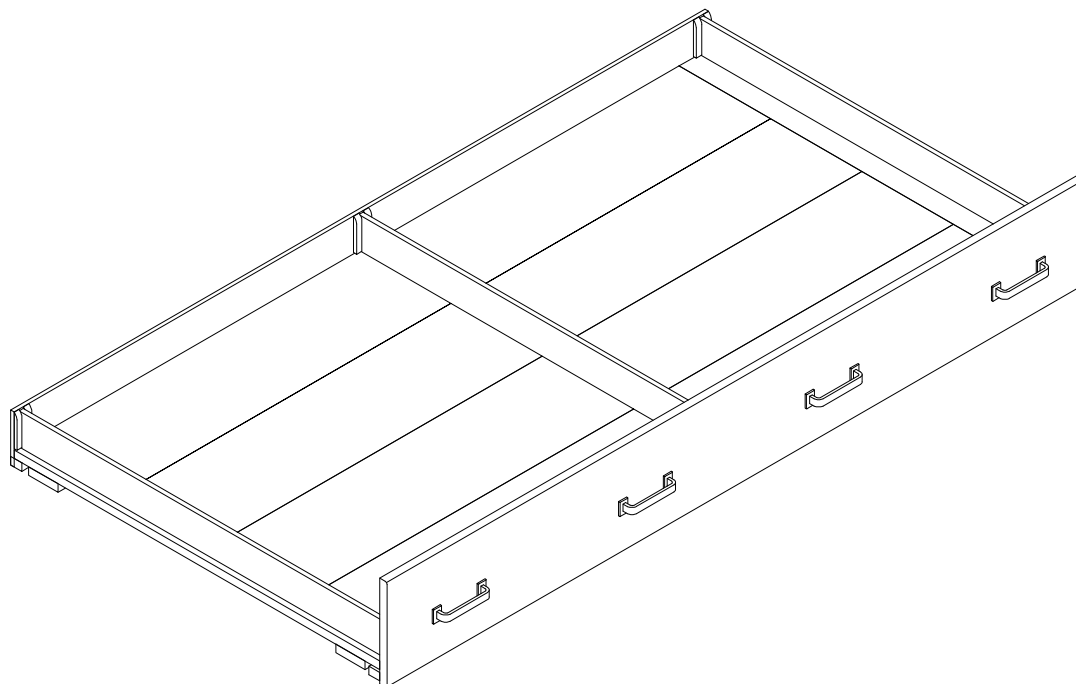
FURNITURE

ASSEMBLY INSTRUCTIONS




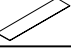
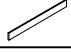
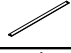
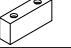
Item No: #30612


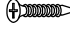
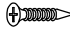



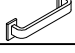



*** Thank you for purchasing this quality product. Be sure to check all packing materials carefully for small parts which may have come loose inside the carton during shipment. Identify and count all parts and compare with parts list below.

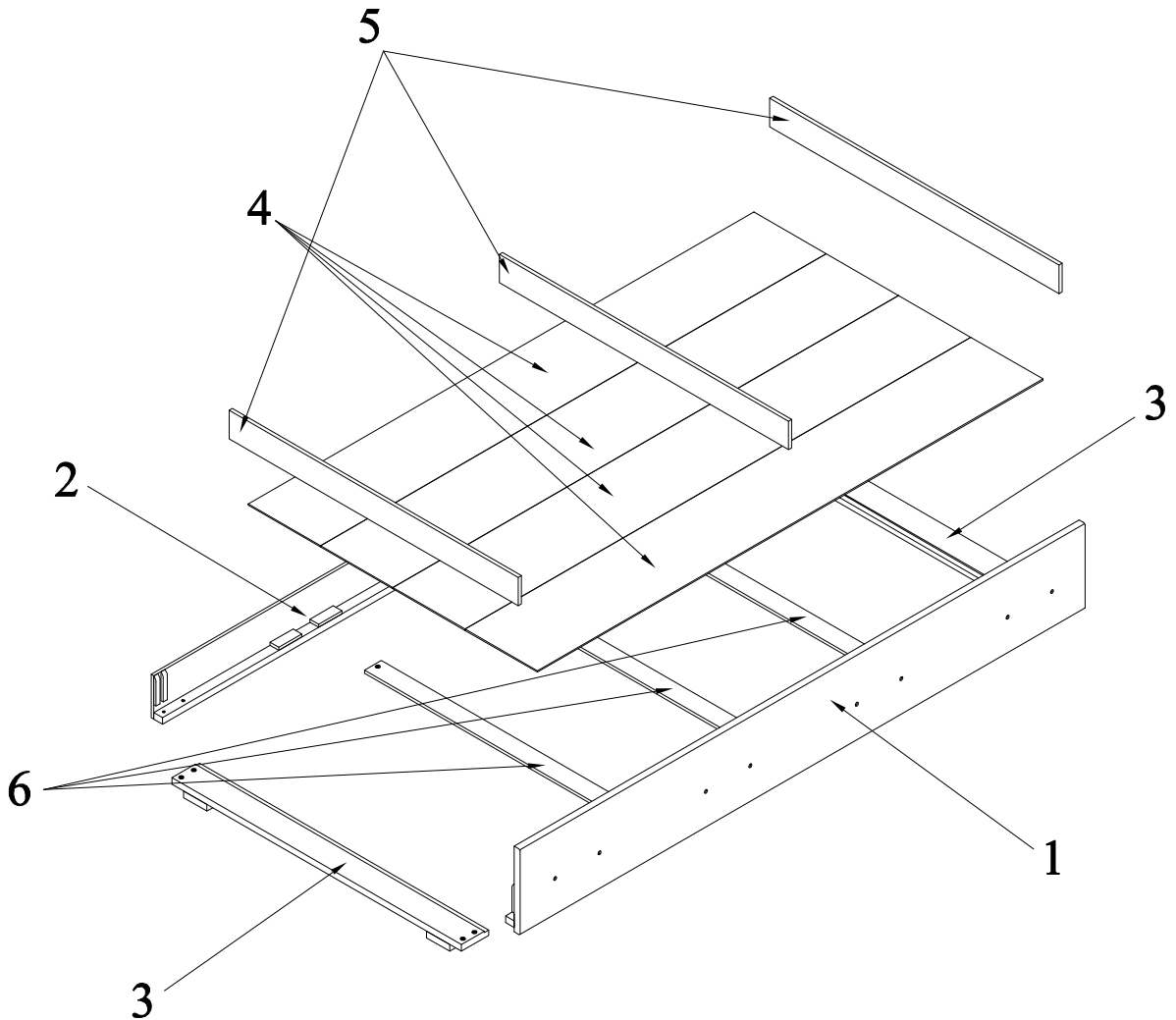
*** Assemble product on a flat, soft surface such as a carpet or cloth to prevent scratching the finish. Read all instruction and study the drawings carefully before starting the assembly process.



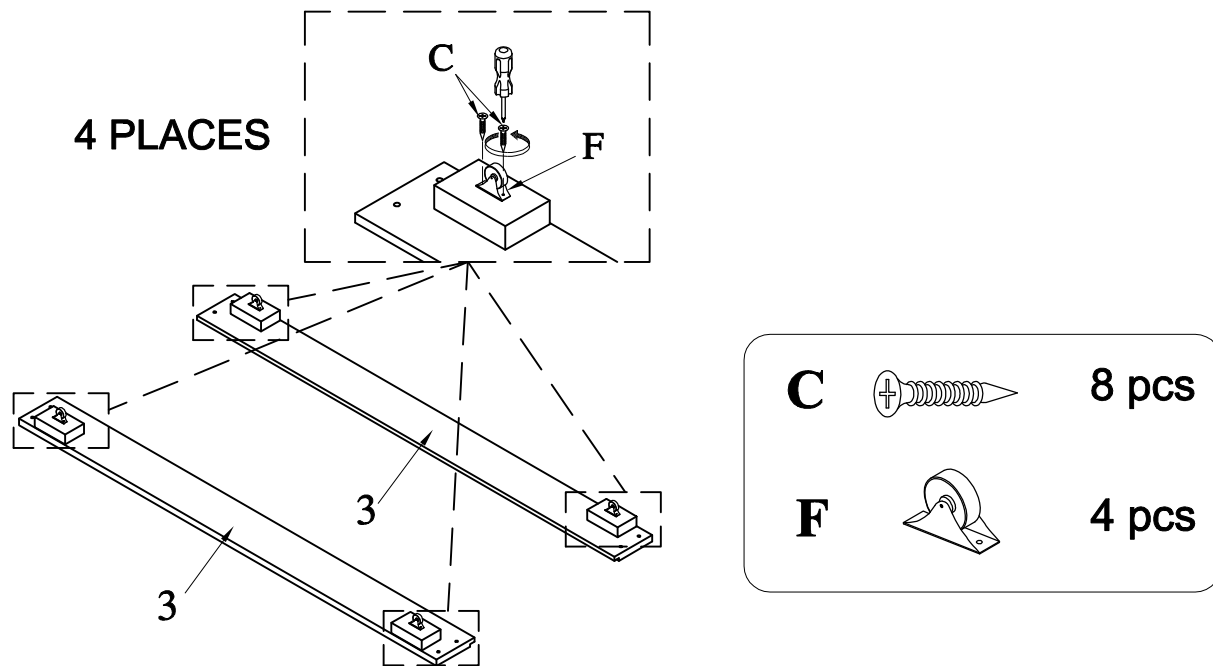
IMPORTANT: Do not tighten bolts completely until all bolts are completely lined up and inserted into holes

PARTS LIST			
No	DIAGRAM	PART NAME	Q'Ty
1		Front trundle bed	1 pc
2		Back trundle bed	1 pc
3		Side trundle bed	2 pcs
4		Complete bottom panel (4pcs/1set)	1 set
5		Partition	3 pcs
6		Slat	3 pcs
7		Wood Stop	2 pcs

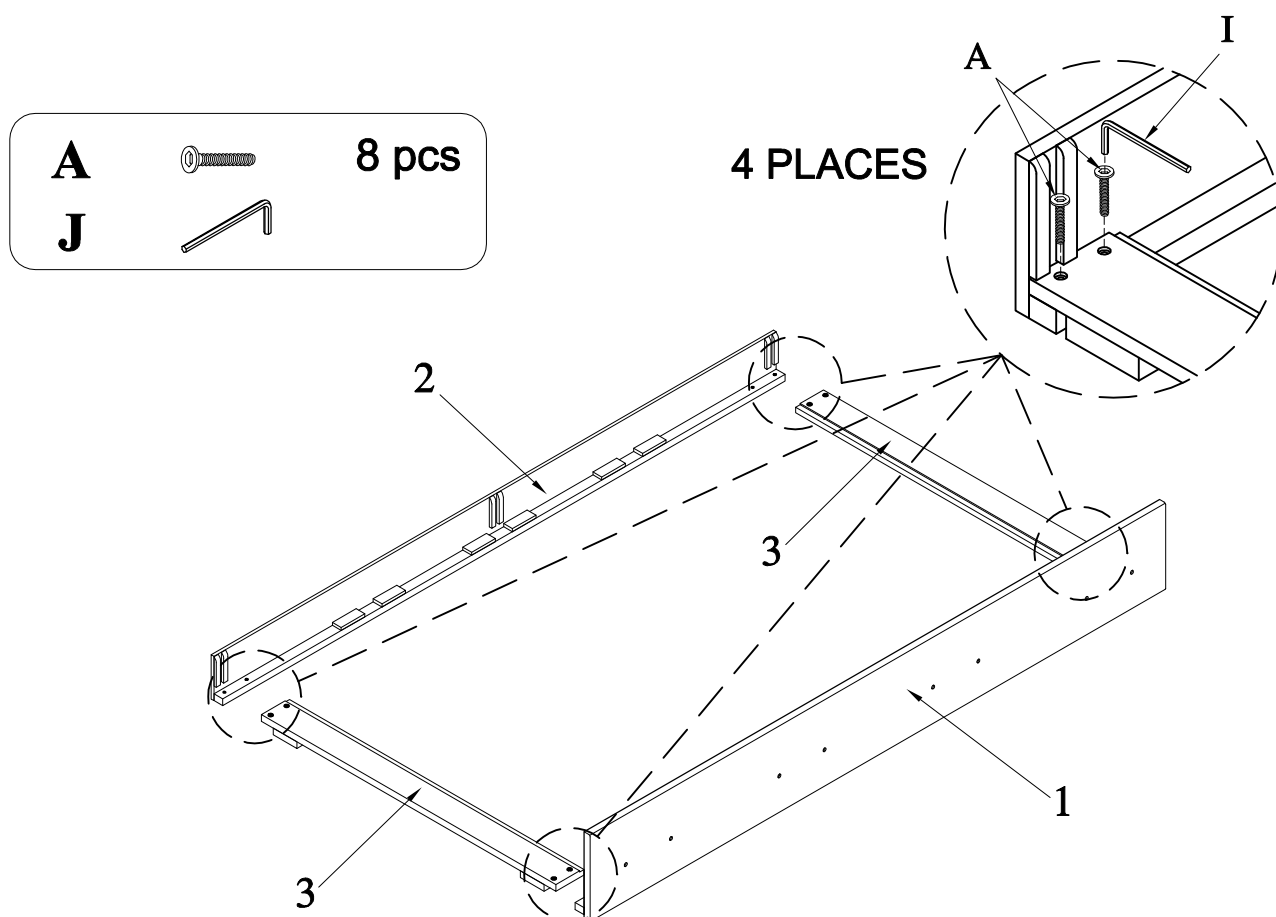
HARDWARE LIST			
No	DIAGRAM	PART NAME	Q'Ty
A		Bolt: 6.3 * 35 (mm)	8 pcs
B		Screw: 4 * 30 (mm)	10 pcs
C		Screw: 4 * 20 (mm)	8 pcs
D		Screw: 3.5 * 15 (mm)	8 pcs
E		"L" shape connection bracket	2 pcs
F		Wheel	4 pcs
G		Handle	4 pcs
H		Bolt	8 pcs
I		Flat Washer	8 pcs
J		Allen Key (M4)	1 pc



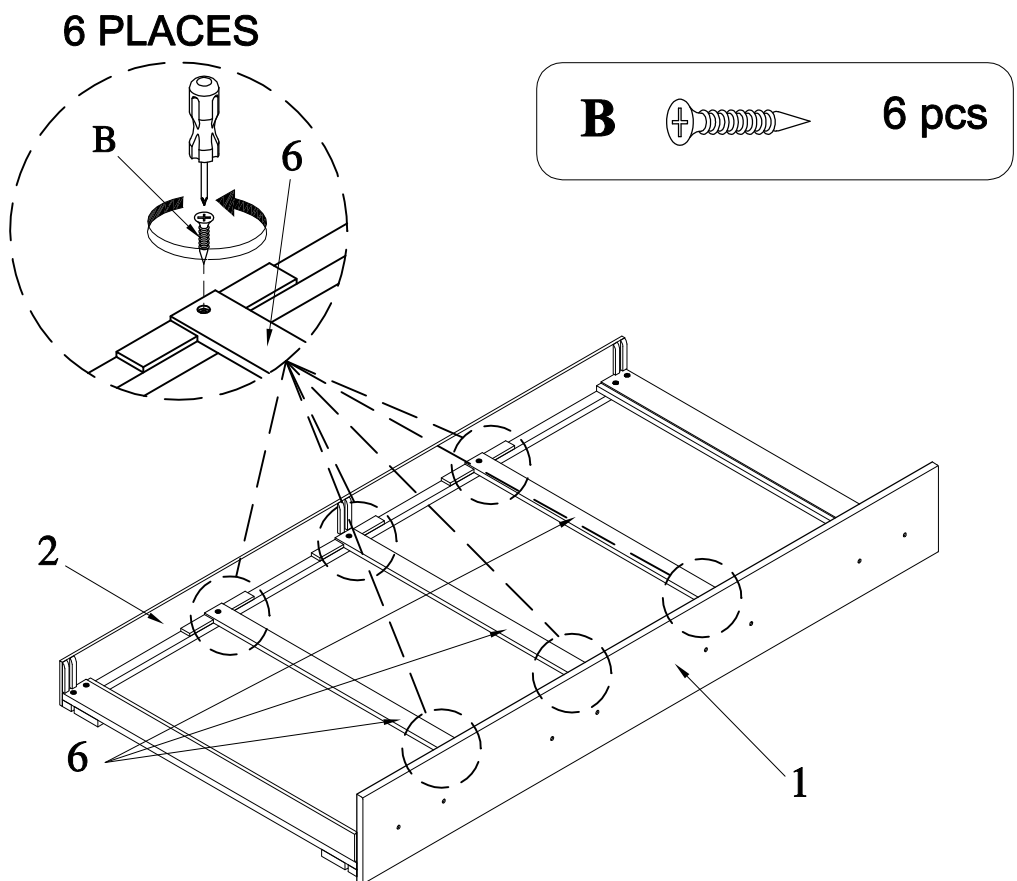
STEP 1: WHEEL ASSEMBLY



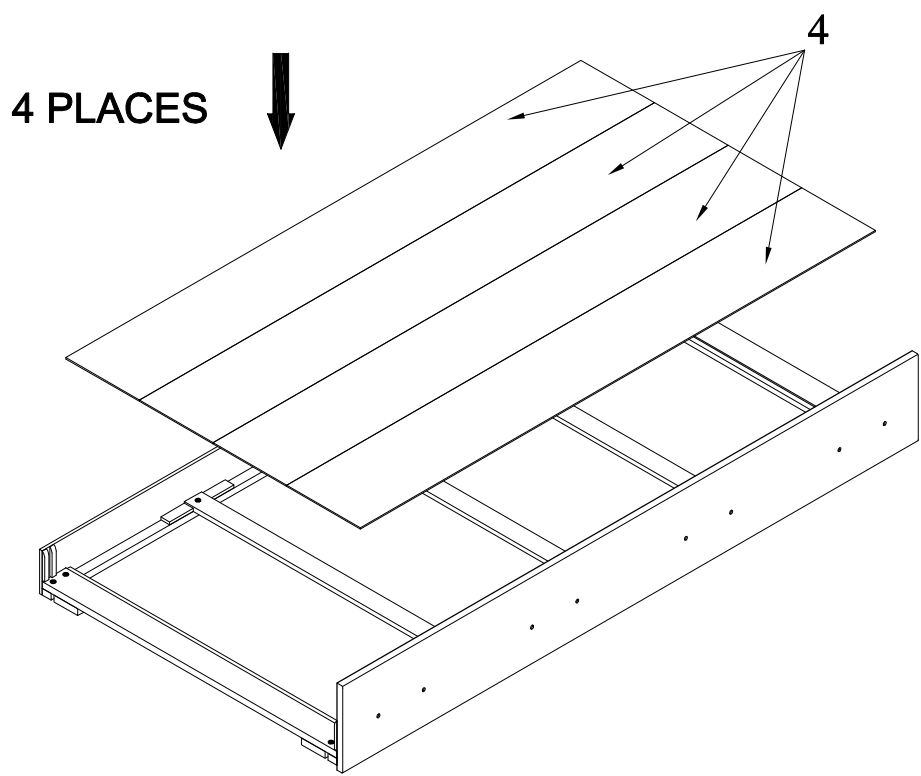
STEP 2: FRONT, BACK & SIDE TRUNDLE BED ASSEMBLY



STEP 3: SLAT ASSEMBLY

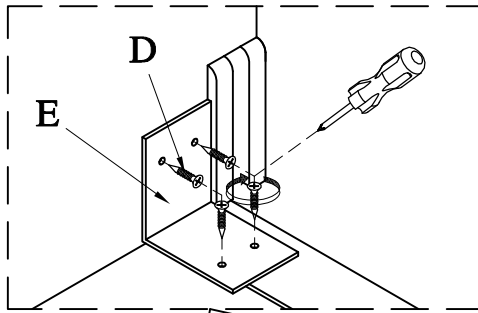



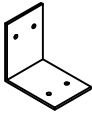
STEP 4: COMPLETE BOTTOM PANEL ASSEMBLY

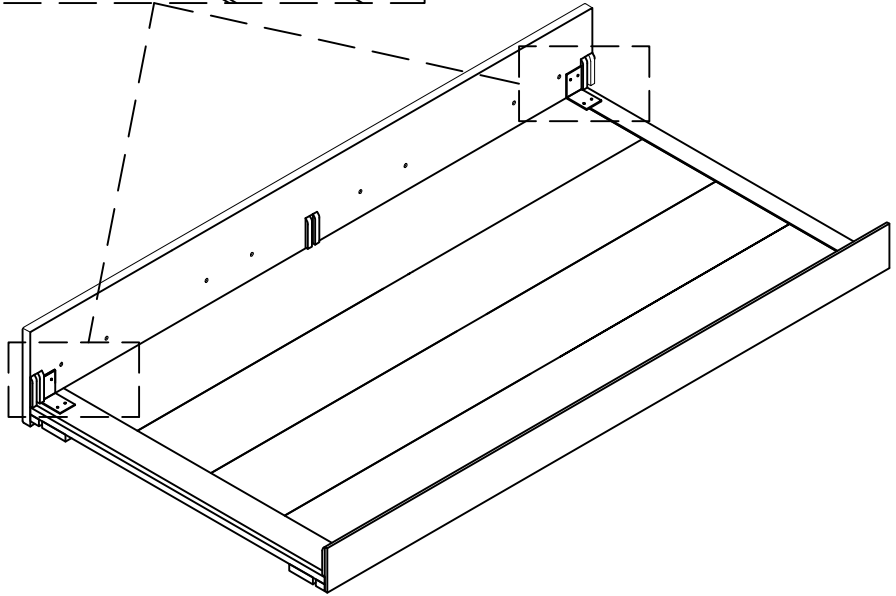


STEP 5: "L" SHAPE CONNECTION BRACKET ASSEMBLY

2 PLACES

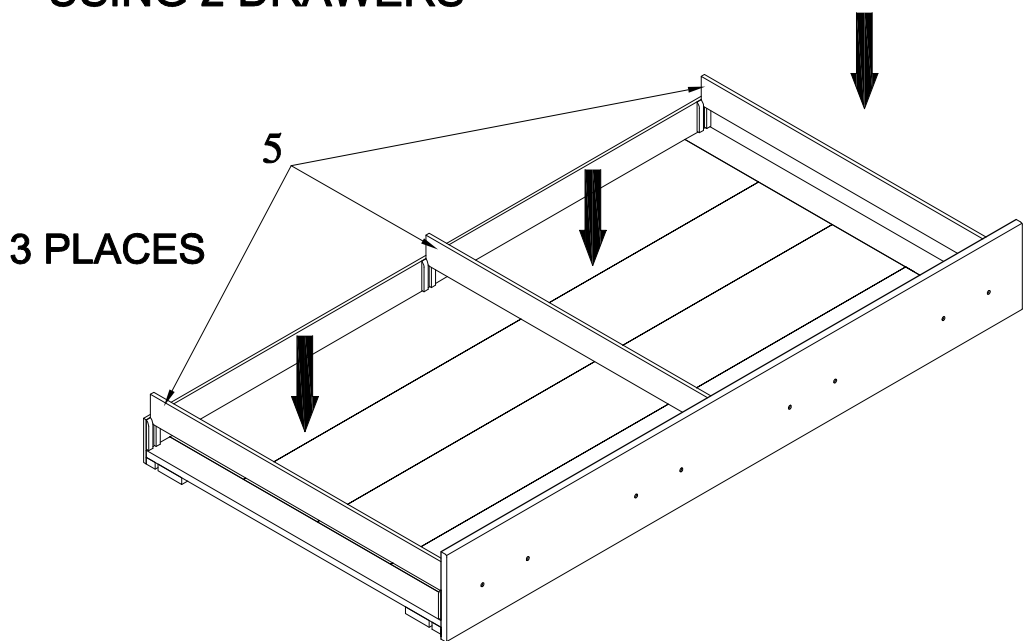


D		8 pcs
E		2 pcs

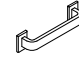




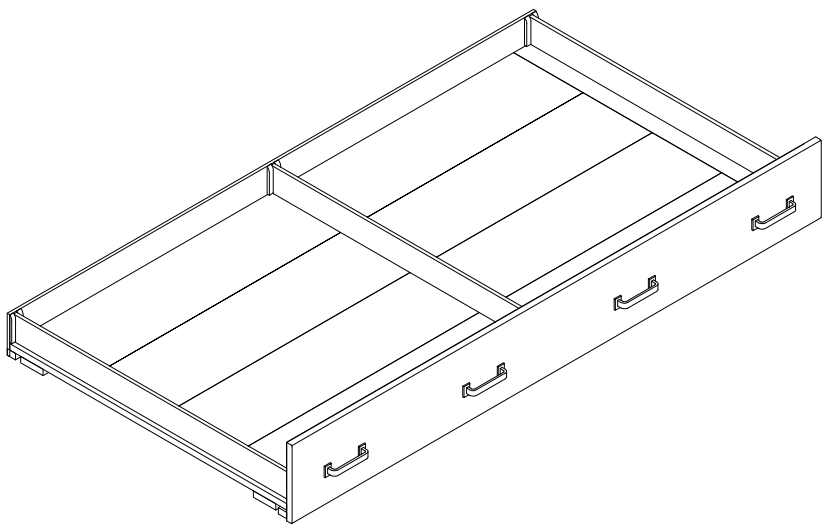
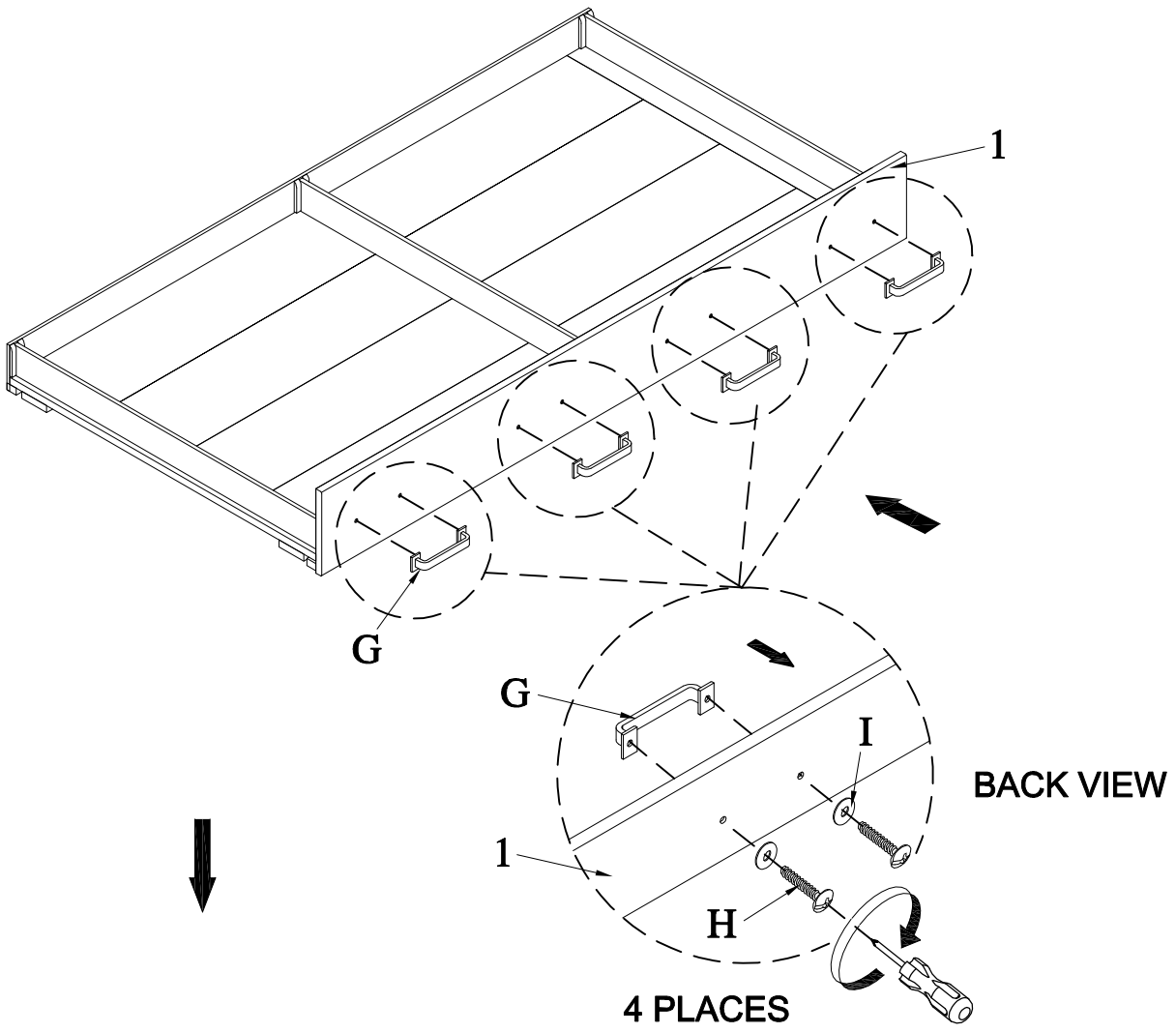
STEP 6:

IF ADD PARTITION (3PCS), AND THEN CAN BE USING 2 DRAWERS

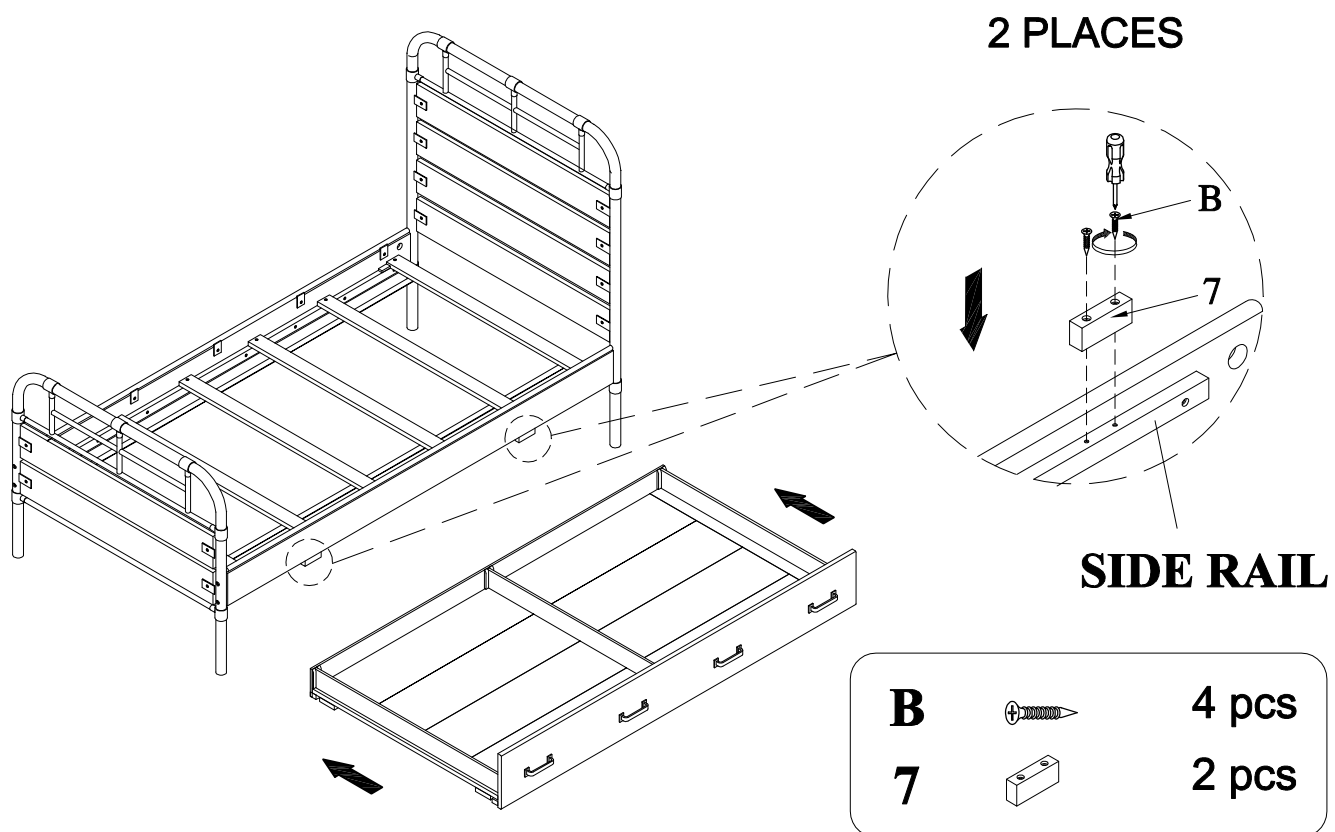


STEP 7: ASSEMBLY HANDLE FRONT TRUNDLE BED

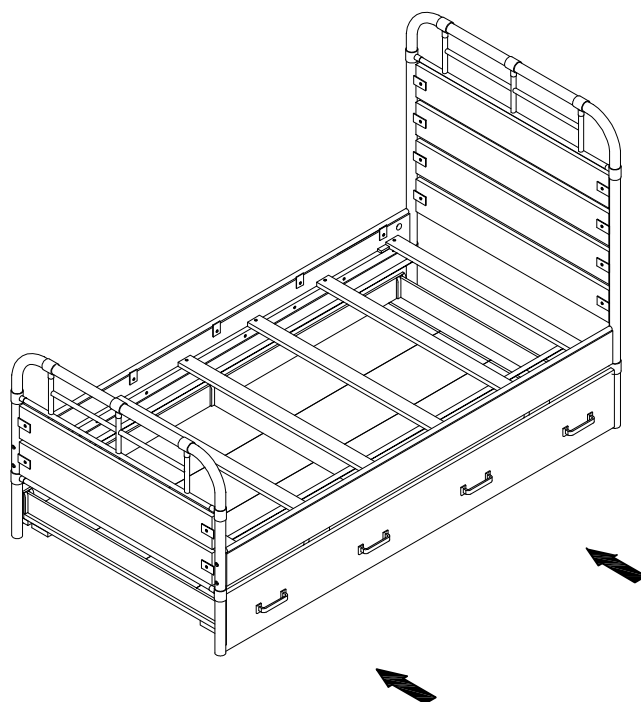
G		4 pcs
H		8 pcs
I		8 pcs



STEP 8: ASSEMBLY WOOD DOWEL



STEP 9:



ASSEMBLY IS COMPLETED