

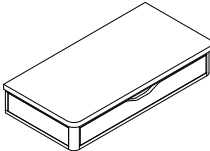




ASSEMBLY INSTRUCTION FOR ACME FURNITURE

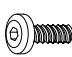

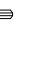



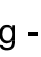
MODEL# 30539 Butterfly Vanity Table

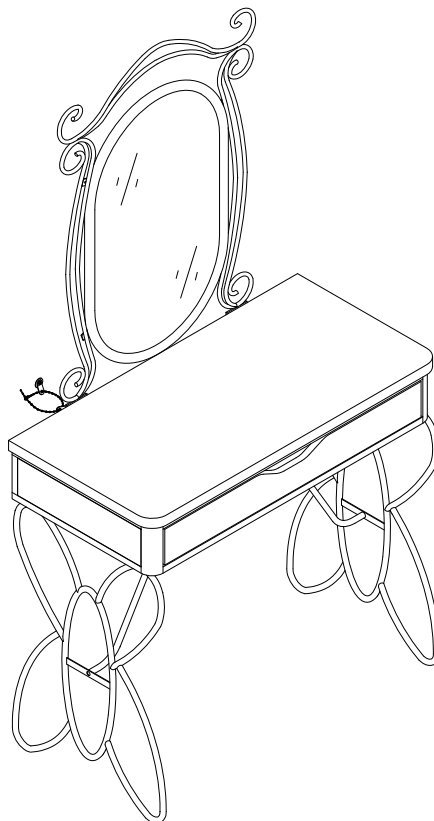
Thank you for purchasing this quality product. Be sure to check all packing materials carefully for small parts which may have come loose inside the carton during shipment. Separate, identify, and count all parts and metal hardware. Compare with parts list to be sure all parts are present. If any part(s) are missing or damaged, please contact your local furniture dealer. For efficient and speedy service, please indicate the model number and code letter of the part(s) needed.

*** Do not fully tighten screws until fully assembled ***

COMPONENT PARTS		
DECERPTION	PART NAME	Q'TY(PCS)
①	Leg 	2pcs
②	Tube 	1pc
③	Table Top 	1pc
④	Mirror 	1pc
⑤	Connection 	1pc

HARDWARE REQUIRED:

(A) 	Bolt 1/4"x5/8" - 8pcs
(B) 	Bolt 1/4"x3/4" - 5pcs
(C) 	Allen Wrench M4 - 1pc
(D) 	Screw M4x37 - 1pc
(E) 	Metal Plate - 2pcs
(F) 	Bracket - 1pc
(G) 	Girding - 1pc



Attention:

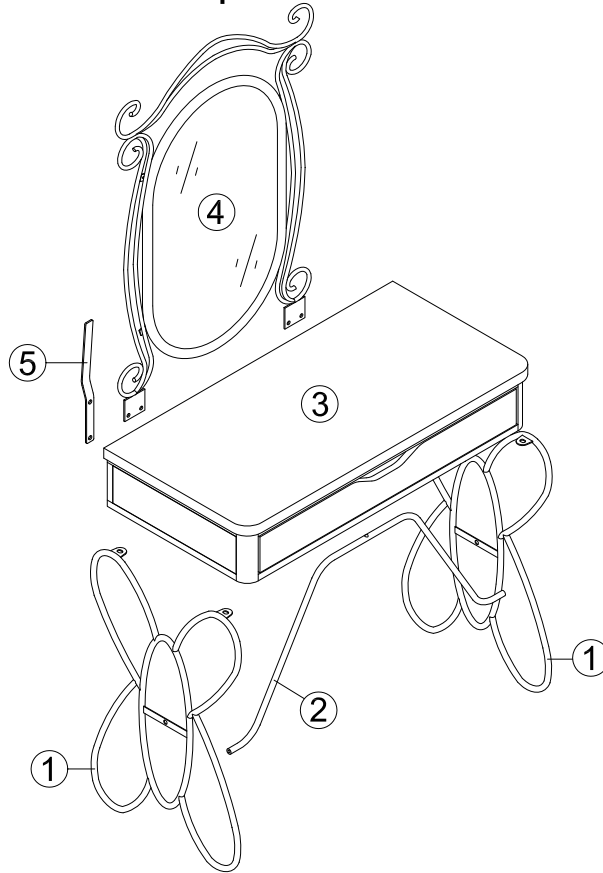
***Mattresses not included.

***Some number parts listed on the instruction sheet may not be in parts bag as they may already be assemble.
Carefully check parts and packing materials prior to ordering replacements.

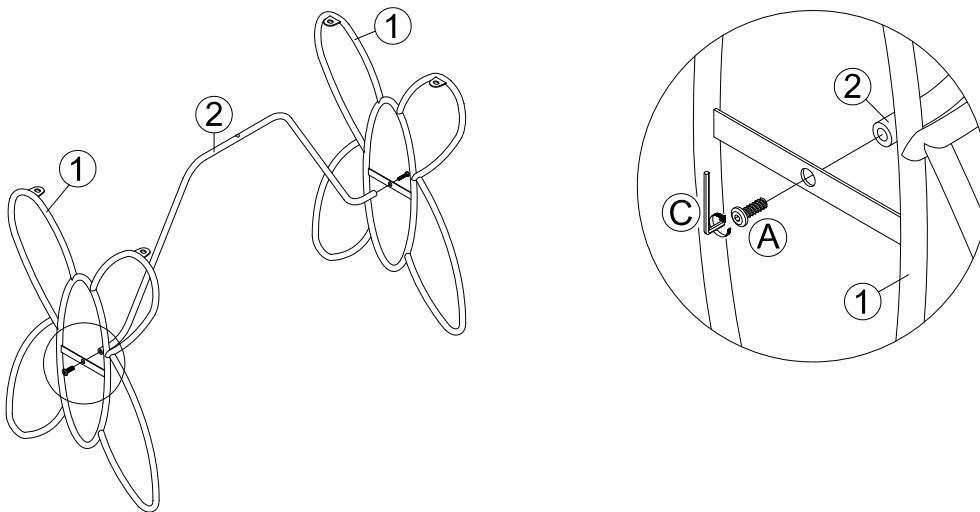
How to Assemble:

STEP 1.

Exploded View



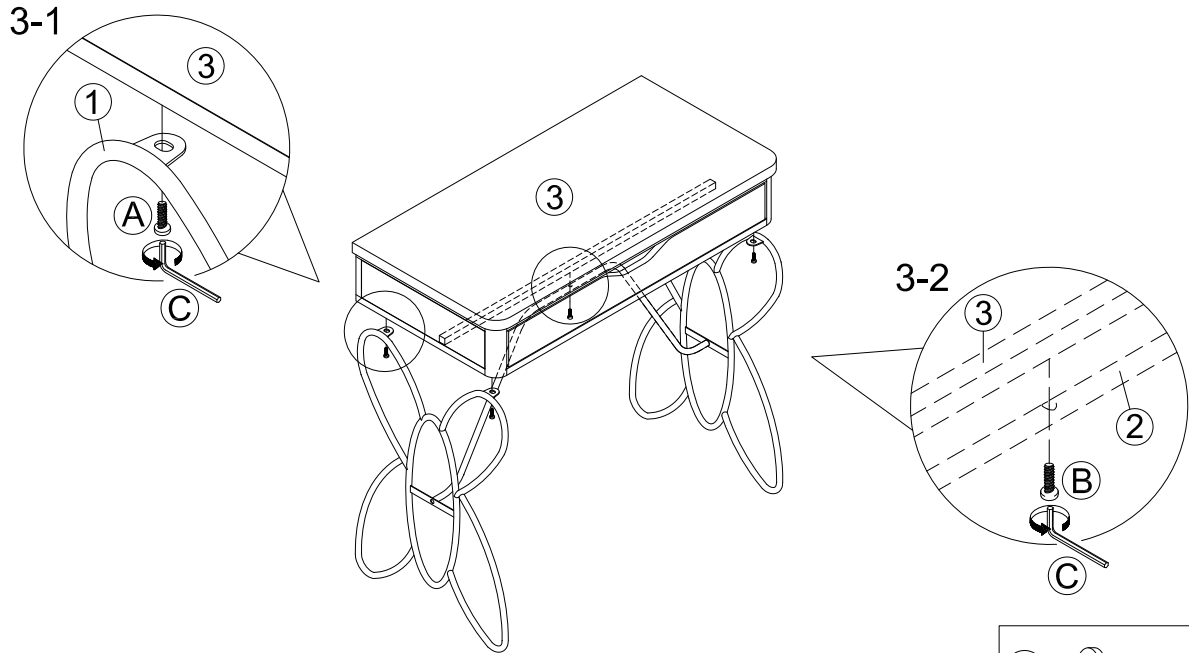
STEP 2.





(A)  2pcs

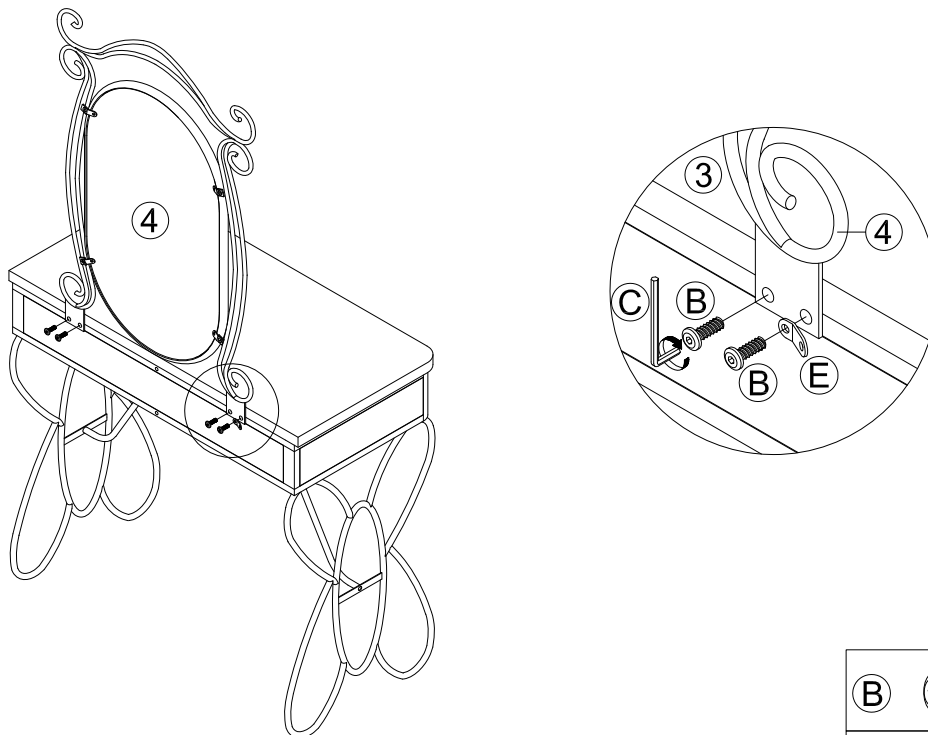
How to Assemble:



STEP 3.



(A)		4pcs
(B)		1pc

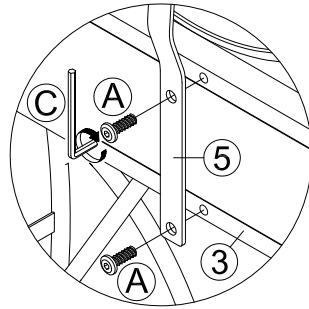
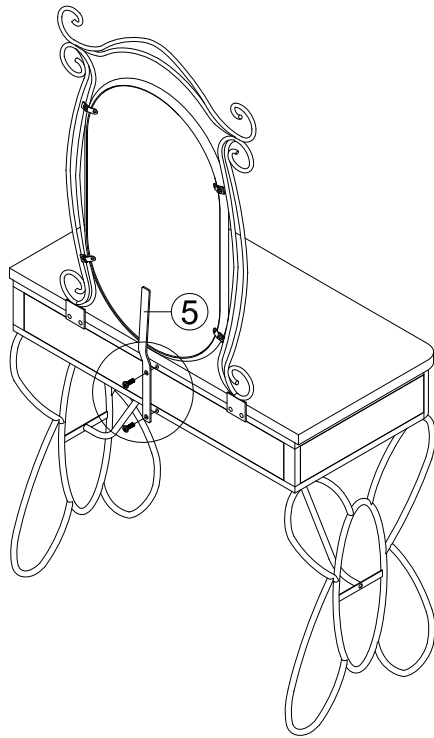
STEP 4.



(B)		4pcs
(E)		1pc

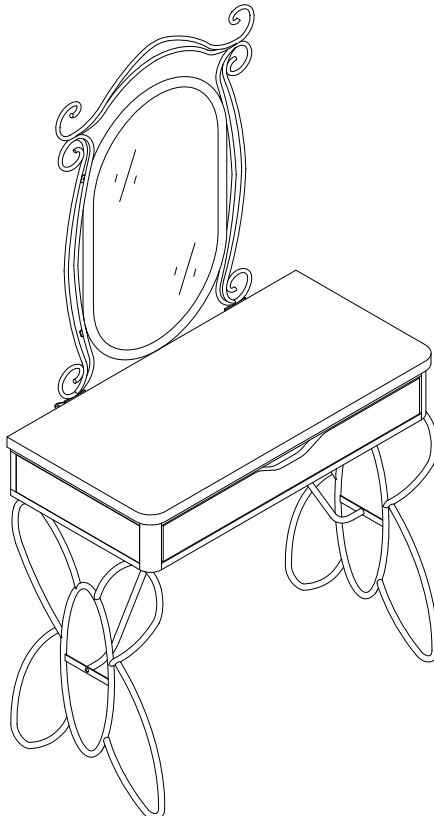
How to Assemble:

STEP 5.



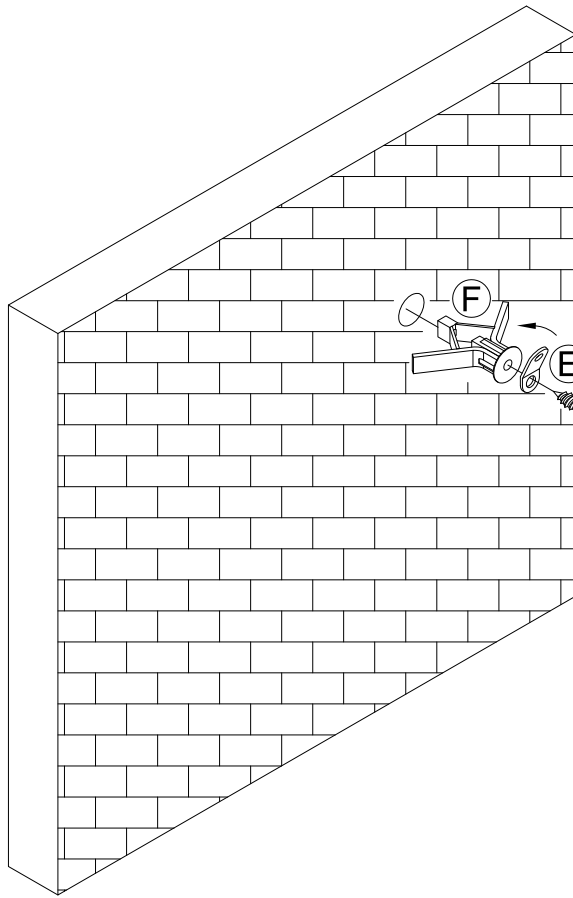
(A)  2pcs

STEP 6.






How to Assemble:

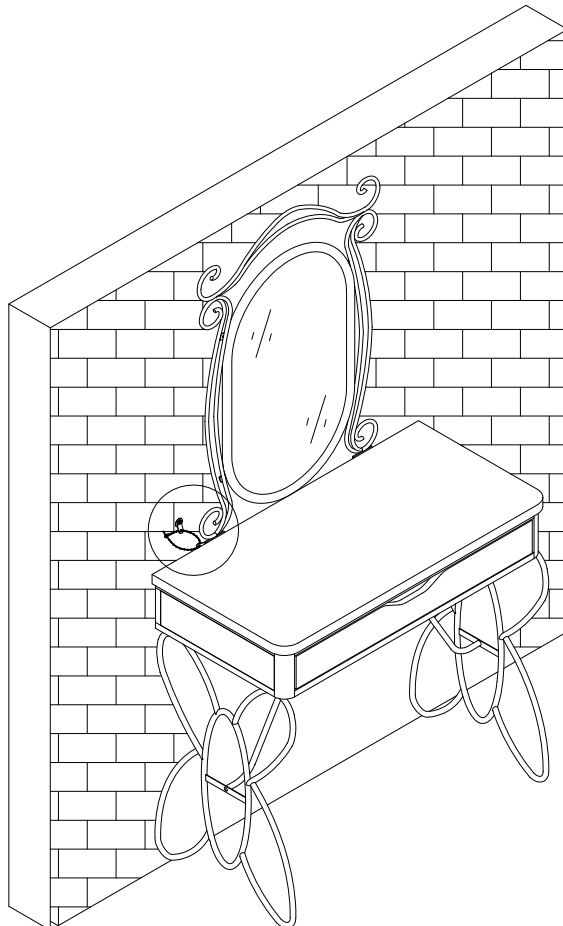
STEP 7.



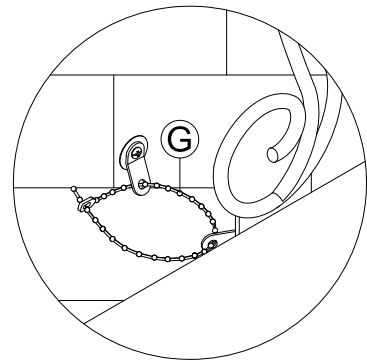
SCREWDRIVER
(NOT PROVIDED)


D		1pc
E		1pc
F		1pc

STEP 8.



To Prevent Tip over
Product Must Be
Attached To Wall



G		1pc
---	---	-----