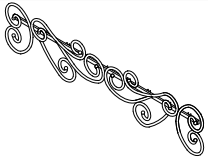
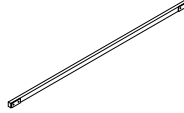
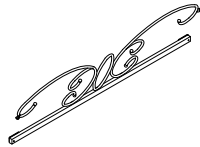
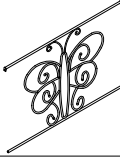




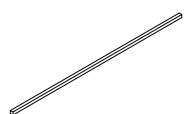





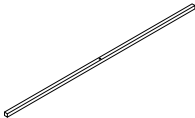

ASSEMBLY INSTRUCTION FOR ACME FURNITURE

MODEL# 30535F Butterfly Full Size Bed




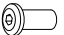


Thank you for purchasing this quality product. Be sure to check all packing materials carefully for small parts which may have come loose inside the carton during shipment. Separate, identify, and count all parts and metal hardware. Compare with parts list to be sure all parts are present. If any part(s) are missing or damaged, please contact your local furniture dealer. For efficient and speedy service, please indicate the model number and code letter of the part(s) needed.

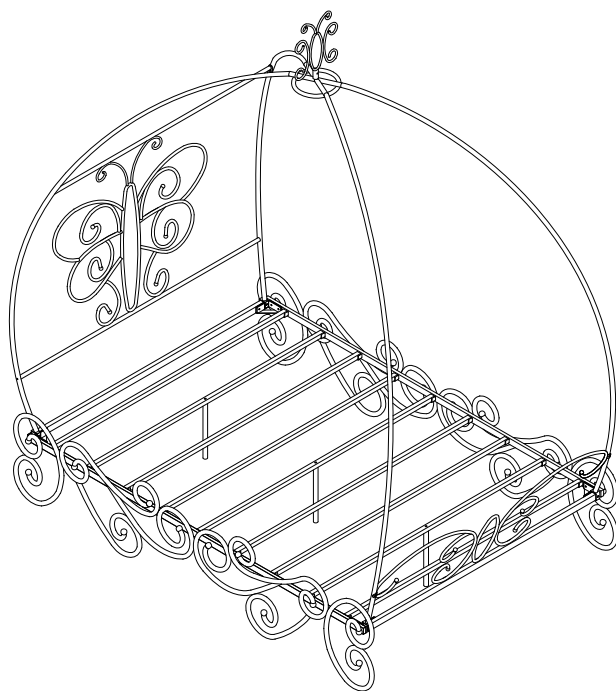
*** Do not fully tighten screws until fully assembled ***

COMPONENT PARTS		
DECERPTION	PART NAME	Q'TY(PCS)
①	Guardrail 	2pcs
②	Front Tube 	1pc
③	Back Frame 	1pc
④	Front Frame 	1pc
⑤	Front Left Special Tube 	1pc
⑥	Front Right Special Tube 	1pc
⑦	Back Left Special Tube 	1pc
⑧	Back Right Special Tube 	1pc
⑨	Bed Board Tube 9# 	6pcs

⑩	Top Butterfly Frame		1pc
⑪	Connection Frame		1pc
⑫	Fittings		4pcs
⑬	Bed Board Tube 13#		3pcs
⑭	Support		3pcs

HARDWARE REQUIRED:

Ⓐ 	Bolt 1/4"x5/8" - 27pcs
Ⓑ 	Bolt 1/4"x1" - 4pcs
Ⓒ 	Bolt 1/4"x1-1/8" - 5pcs
Ⓓ 	Nut M6x18 - 4pcs
Ⓔ 	Allen Wrench M4 - 2pcs
Ⓕ 	Washer $\varnothing 16 \times \varnothing 7 \times 1.0$ - 6pcs



Attention:

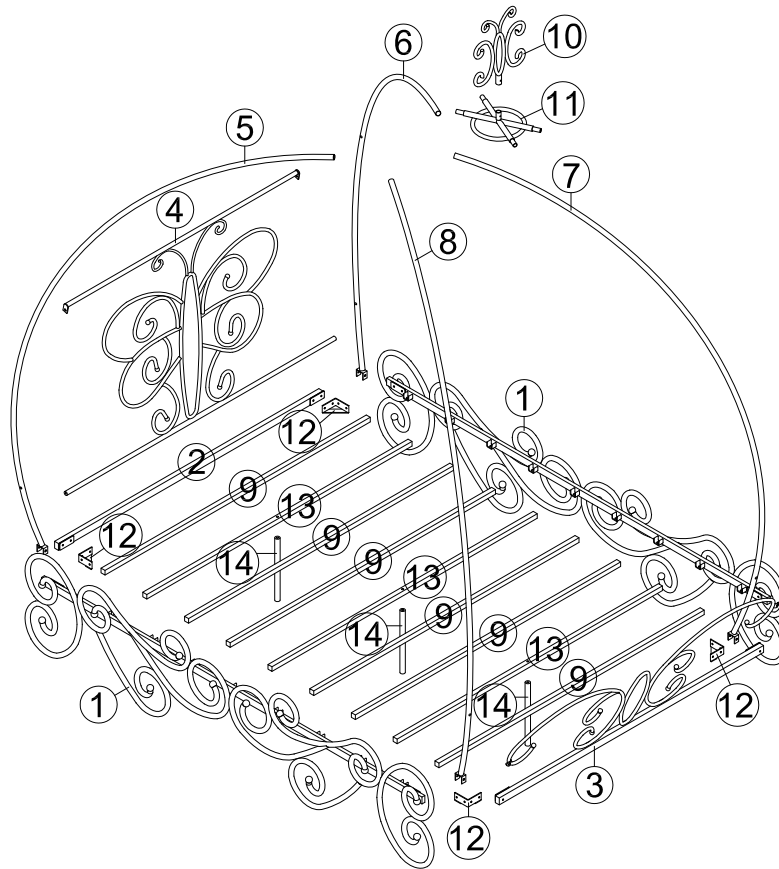
***Mattresses not included.

***Some number parts listed on the instruction sheet may not be in parts bag as they may already be assemble.
Carefully check parts and packing materials prior to ordering replacements.

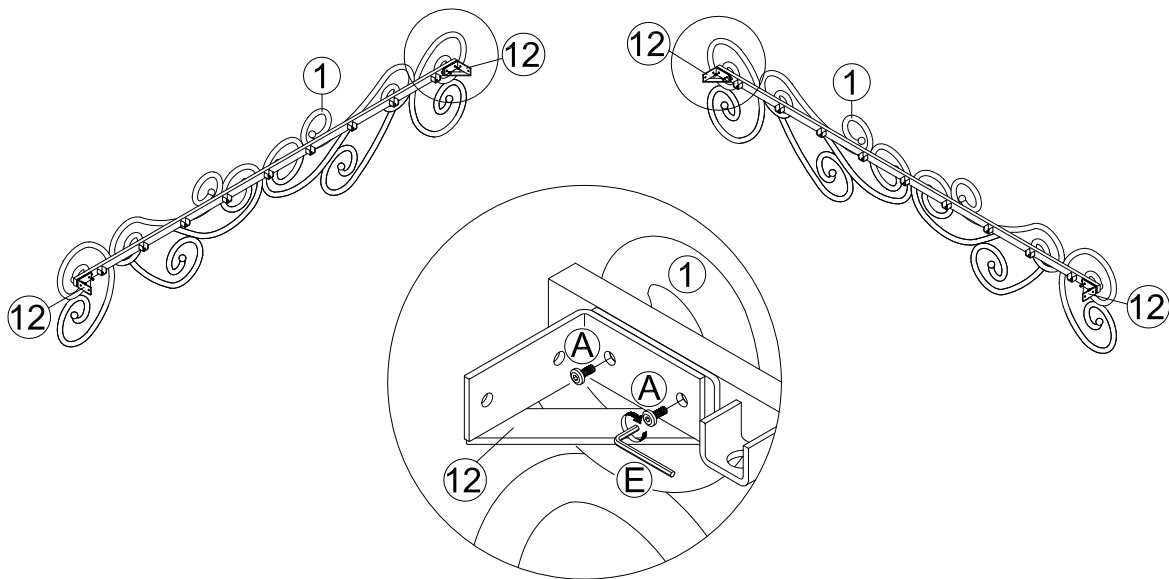
How to Assemble:

STEP 1.

Exploded View



STEP 2.

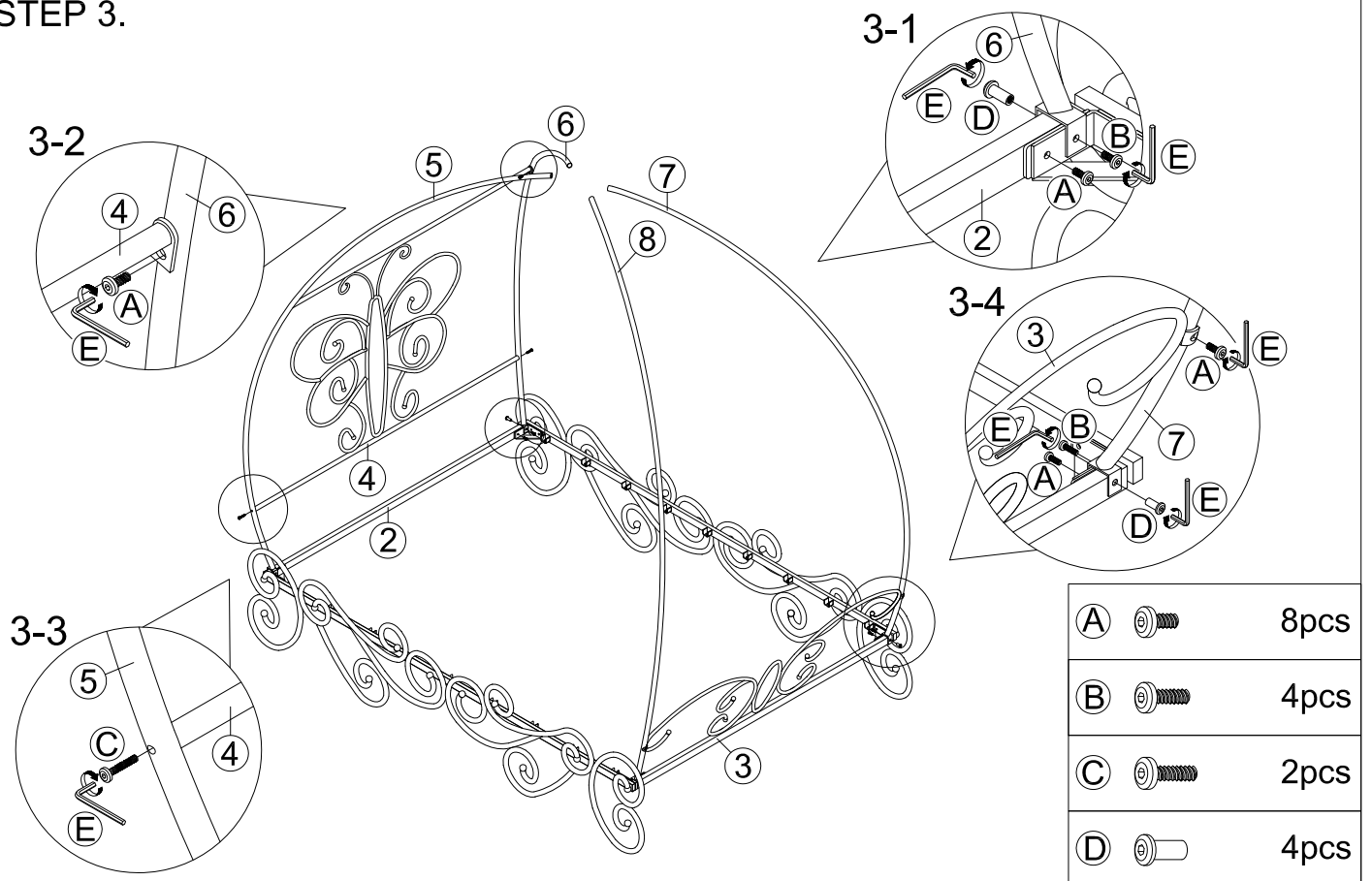


DO NOT TIGHTEN THE SCREWS UNTIL ASSEMBLING THE FINAL STEP.

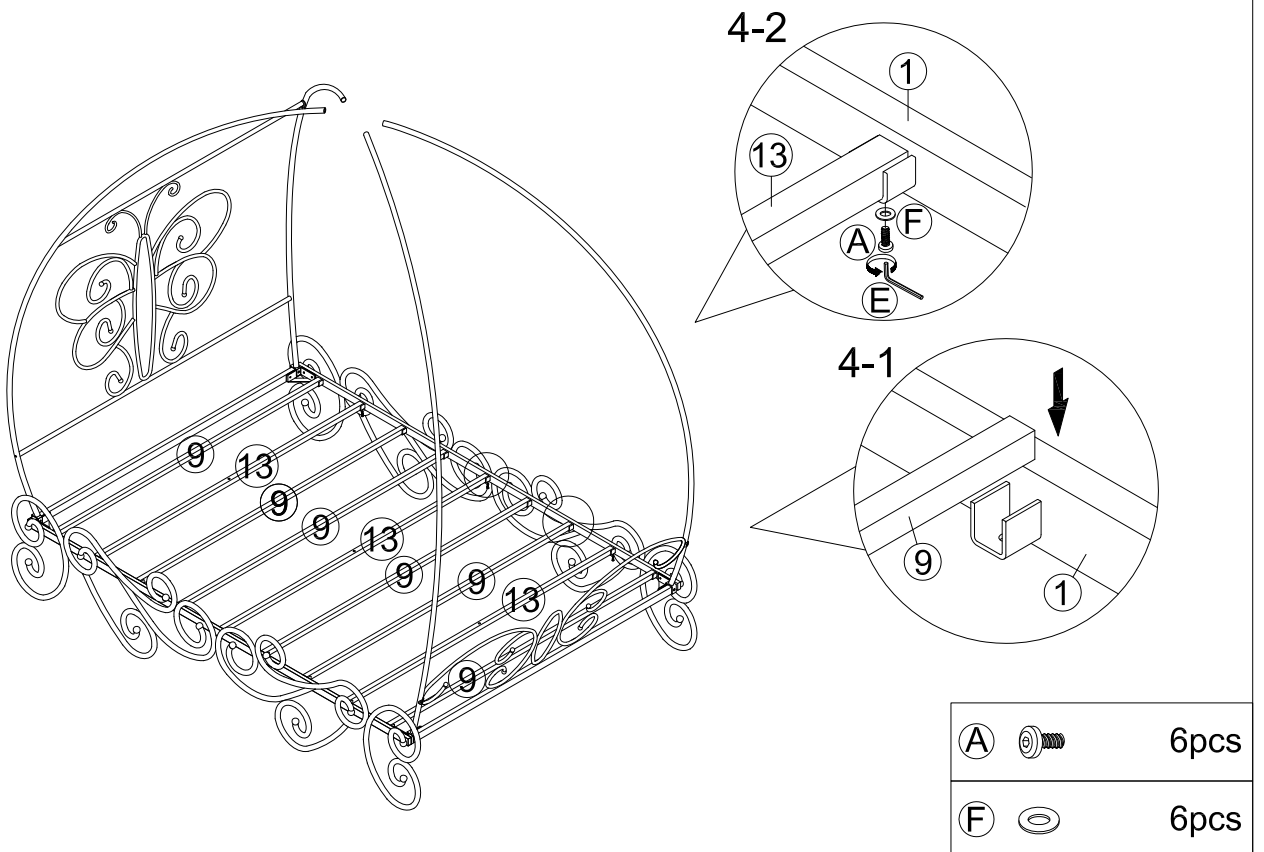
A  8pcs

How to Assemble:

STEP 3.

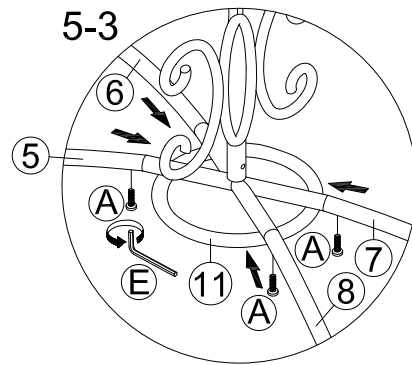
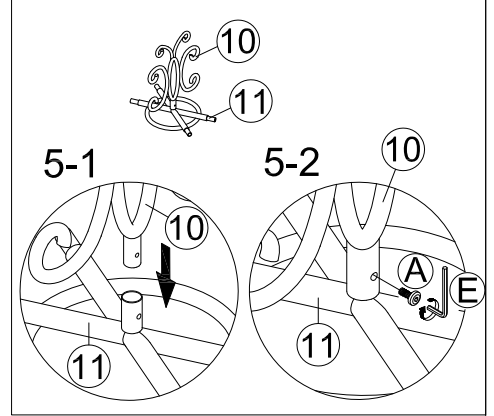
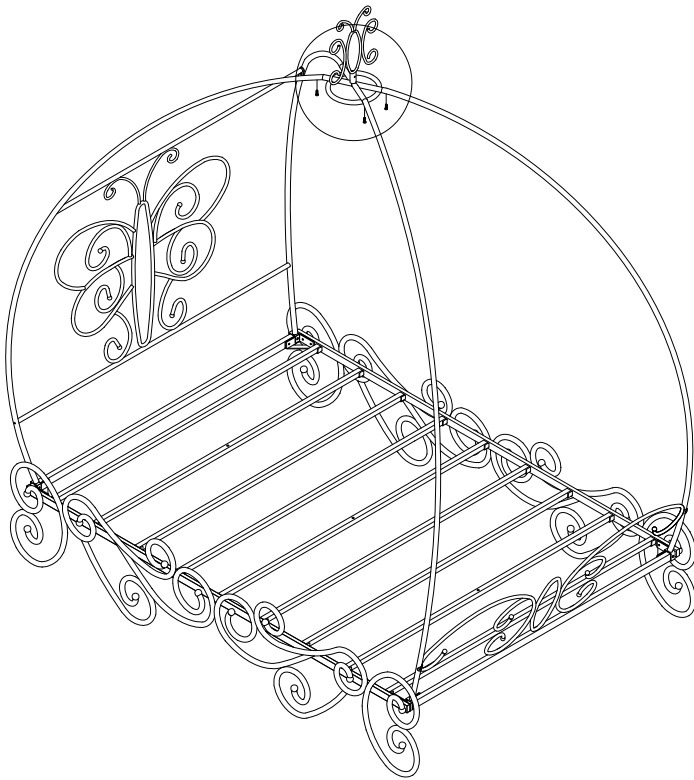


STEP 4.



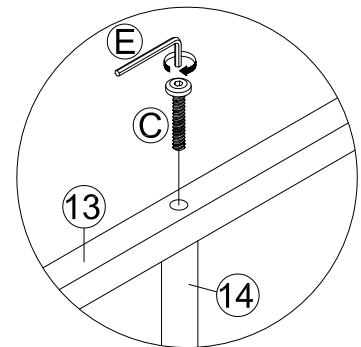
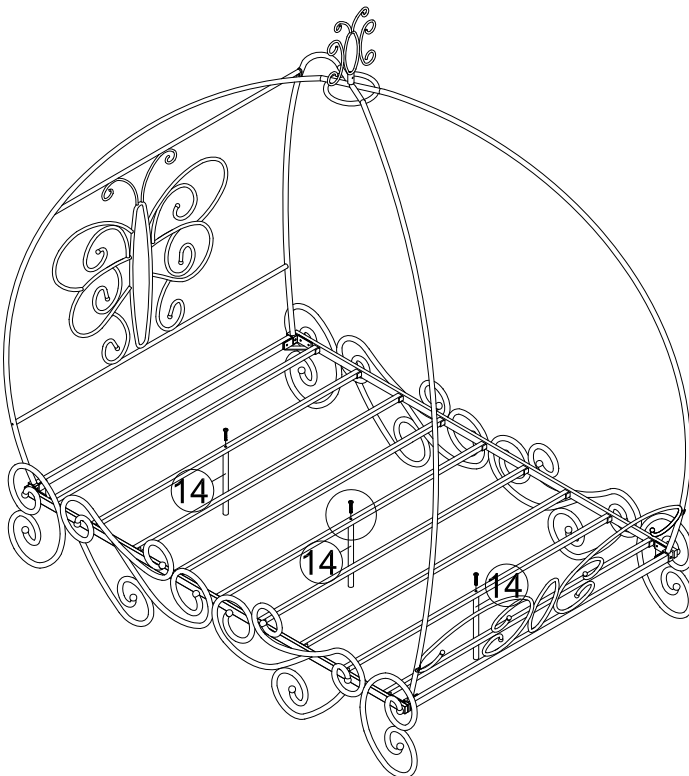
How to Assemble:

STEP 5.



(A)  5pcs

STEP 6.



(C)  3pcs