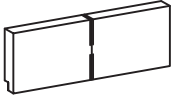
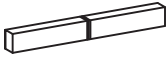

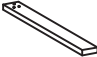










ASSEMBLY INSTRUCTION FOR ACME FURNITURE
MODEL # 14337EK-HB / 14338EK-FR / 14367EK-HB / 14368EK-FR
14387EK-HB / 14388EK-FR / 24317EK-HB / 24318EK-FR / 24277EK-HB
24278EK-FR

Thank you for purchasing the quality product. Be sure to check all packing material carefully for small parts which may have come loose inside the carton during shipment. Separate, identify and count all parts and metal hardware. Compare with all parts list to be sure all parts are present. If any part(s) are missing or damaged, please contact your local furniture dealer. For efficient and speedy service, please indicate the model number and code letter of part(s) needed.

Do not fully tighten screws until fully assembled

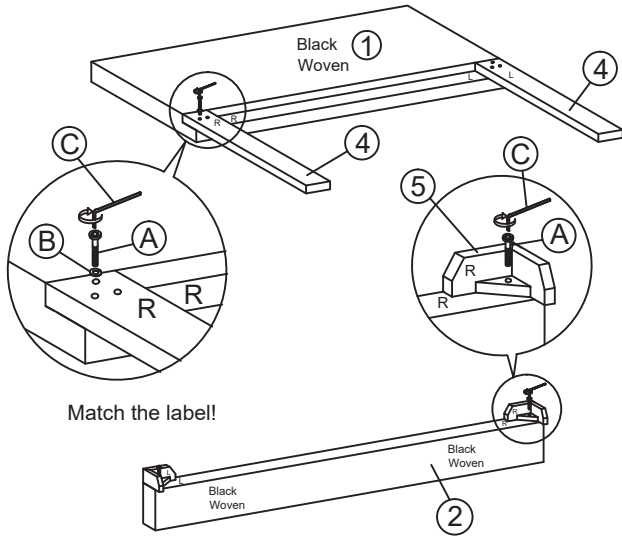
COMPONENT PARTS		
DESCRIPTION	PART NAME	Q'TY (PCS)
①	HEADBOARD 	1
②	FOOTBOARD 	1
③	SIDE RAIL 	2
④	HEADBOARD LEG 	2
⑤	FOOTBOARD LEG 	2
⑥	SLAT 	5
⑦	SUPPORT LEG 	5

HARDWARE REQUIRED (BOX OF HEADBOARD)

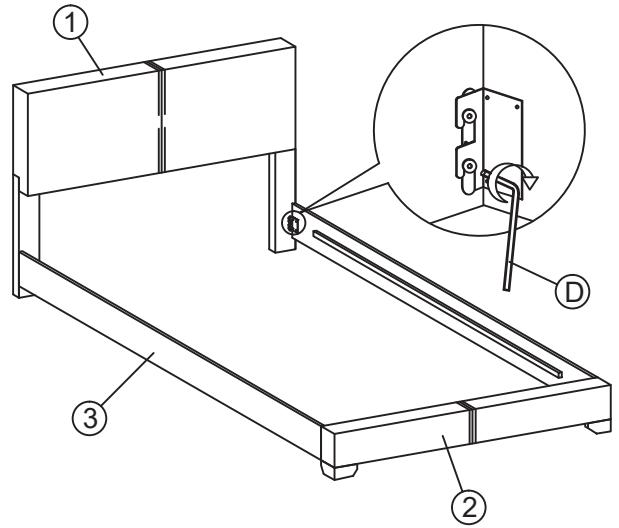
- (A)  BOLT 1/4" x 1 9/16" - 13 PCS
- (B)  SPRING WASHER 1/4"- 6 PCS
- (C)  ALLEN KEY M4 x 4 5/16 - 1 PC
- (D)  ALLEN KEY M5 x 2 9/16- 1 PC
- (E)  FLATHEAD CHIPBOARD SCREW 5/32" x 1 2/8"- 10 PCS

How to assemble:

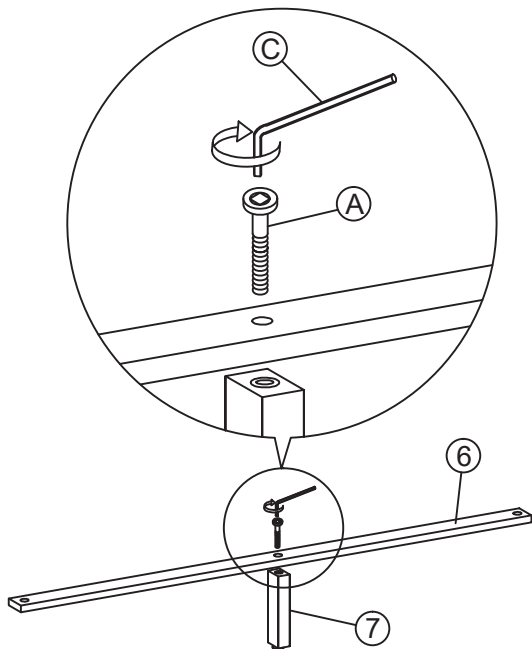
Step 1:



Step 2:



Step 3:



Step 4:

