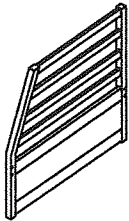
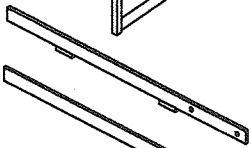
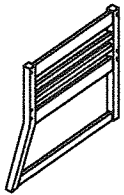
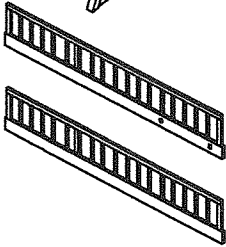
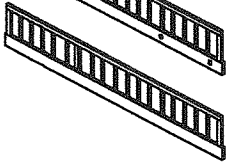


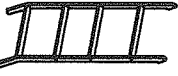



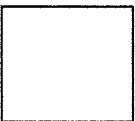






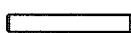



Thank you for purchasing this quality product. Be sure to check all packing material carefully for small parts which may have come loose inside the carton during shipment. Separate, identify and count all parts and metal hardware. Compare with parts list to be sure all parts are present. If any part(s) are missing or damaged, please contact your local furniture dealer. For efficient and speedy service, please indicate the model number and code letter of part(s) needed.

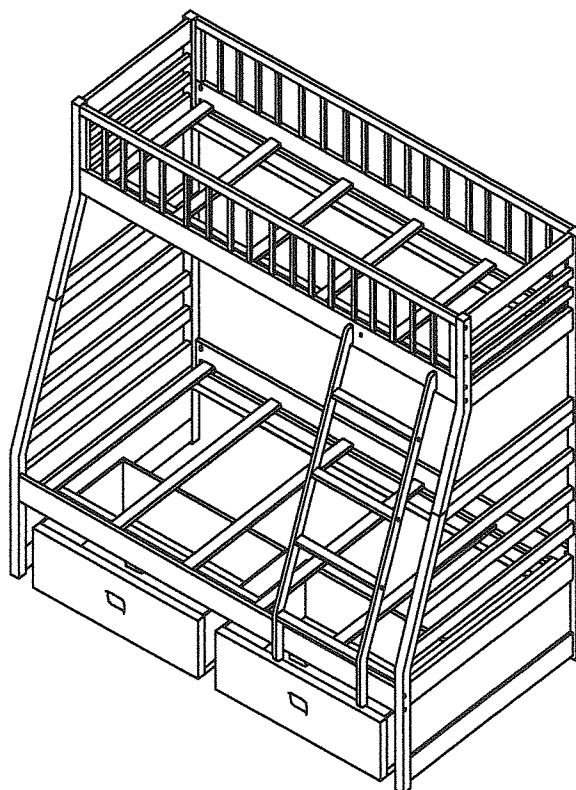
*** Do not fully tighten screws until fully assembled ***

COMPONENT PARTS:

HARDWARE LIST:

-  (A) LOWER H.B & F.B - 2PCS
-  (B) FRONT LOWER SIDE RAIL - 1PC
-  (C) BACK LOWER SIDE RAIL - 1PC
-  (D) UPPER H.B & F.B - 2PCS
-  (E) FRONT UPPER SIDE RAIL - 1PC
-  (F) BACK UPPER SIDE RAIL - 1PC
-  (G) UPPER SLATS - 1 SET
-  (H) LOWER SLATS - 1SET
-  (I) LADDER - 1SET
-  (J) FRONT DRAWER PANEL - 2PCS
-  (J) BACK DRAWER PANEL - 2PCS
-  (K) SIDE DRAWER PANEL - 4PCS
-  (L) BOTTOM DRAWER PANEL - 2PCS

-  1 LONG BOLT 6.3X80 - 16 PCS
-  2 HALF ROUND NUT - 16 PCS
-  3 SHORT BOLT 6.3X40mm - 4 PCS
-  4 SHORT SCREW BOLT 7X80mm - 4 PCS
-  5 METAL DOWEL 8.5X90mm - 4 PCS
-  6 LONG SCREW 4X35mm - 24 PCS
-  7 SHORT SCREW 4X25mm - 24 PCS
-  8 ALLEN KEY - 1 PC



Attention:

*** Mattress not included.

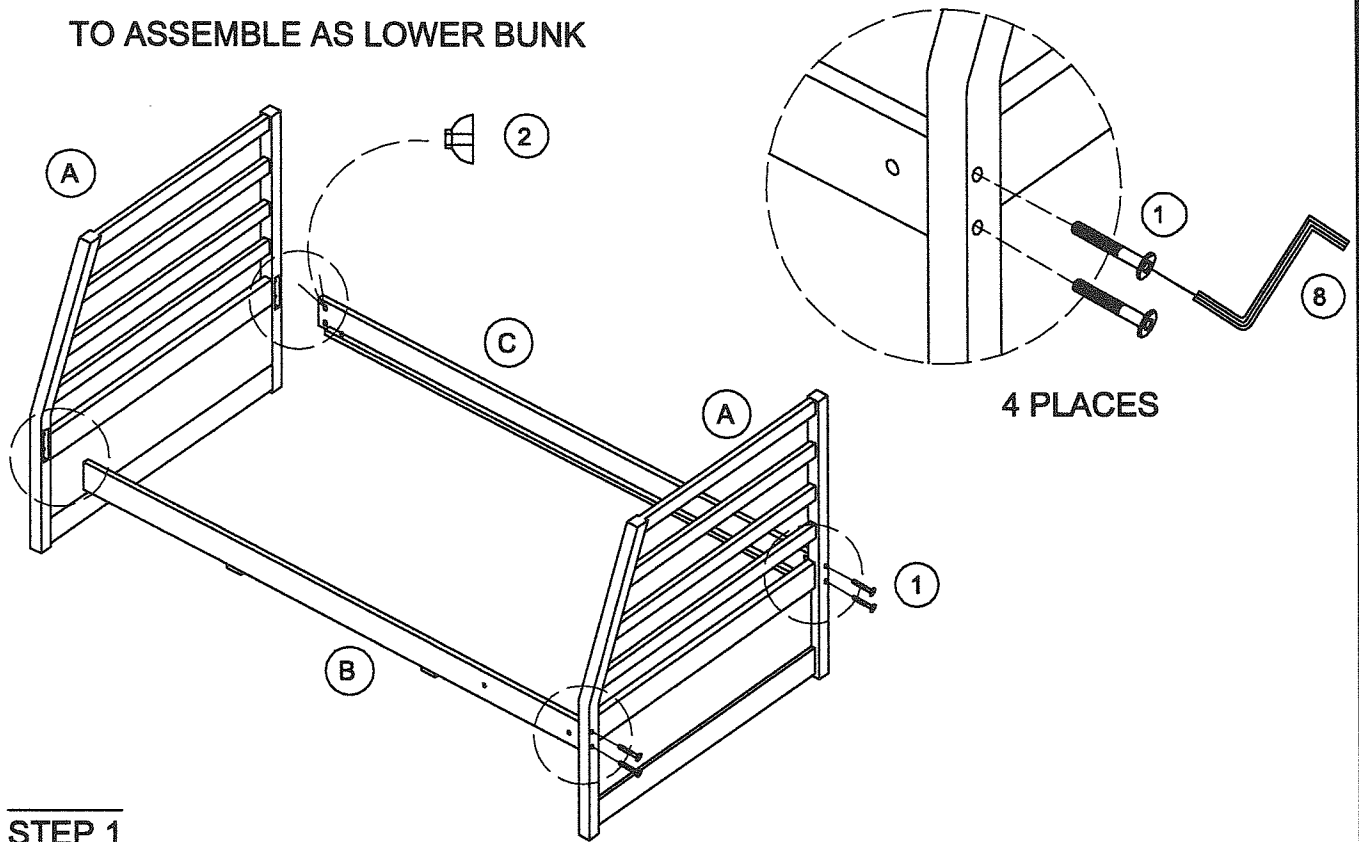
*** Some number parts listed on the instruction sheet may not be in parts bag as they may already be assembled.

Carefully check parts and packing materials prior to ordering replacements.

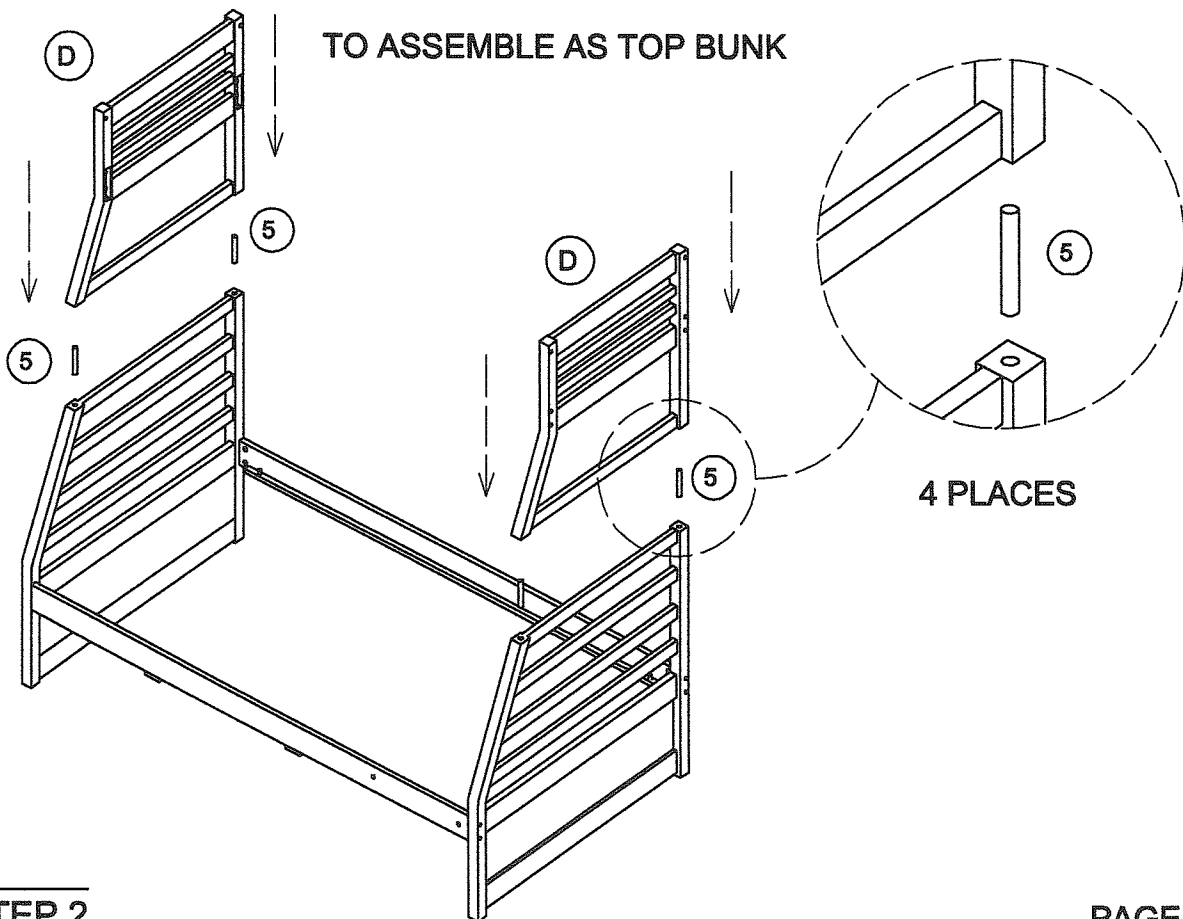
ASSEMBLY INSTRUCTION

Model No: #02018 & #02020
#02018W & #02020W & #37040

TO ASSEMBLE AS LOWER BUNK

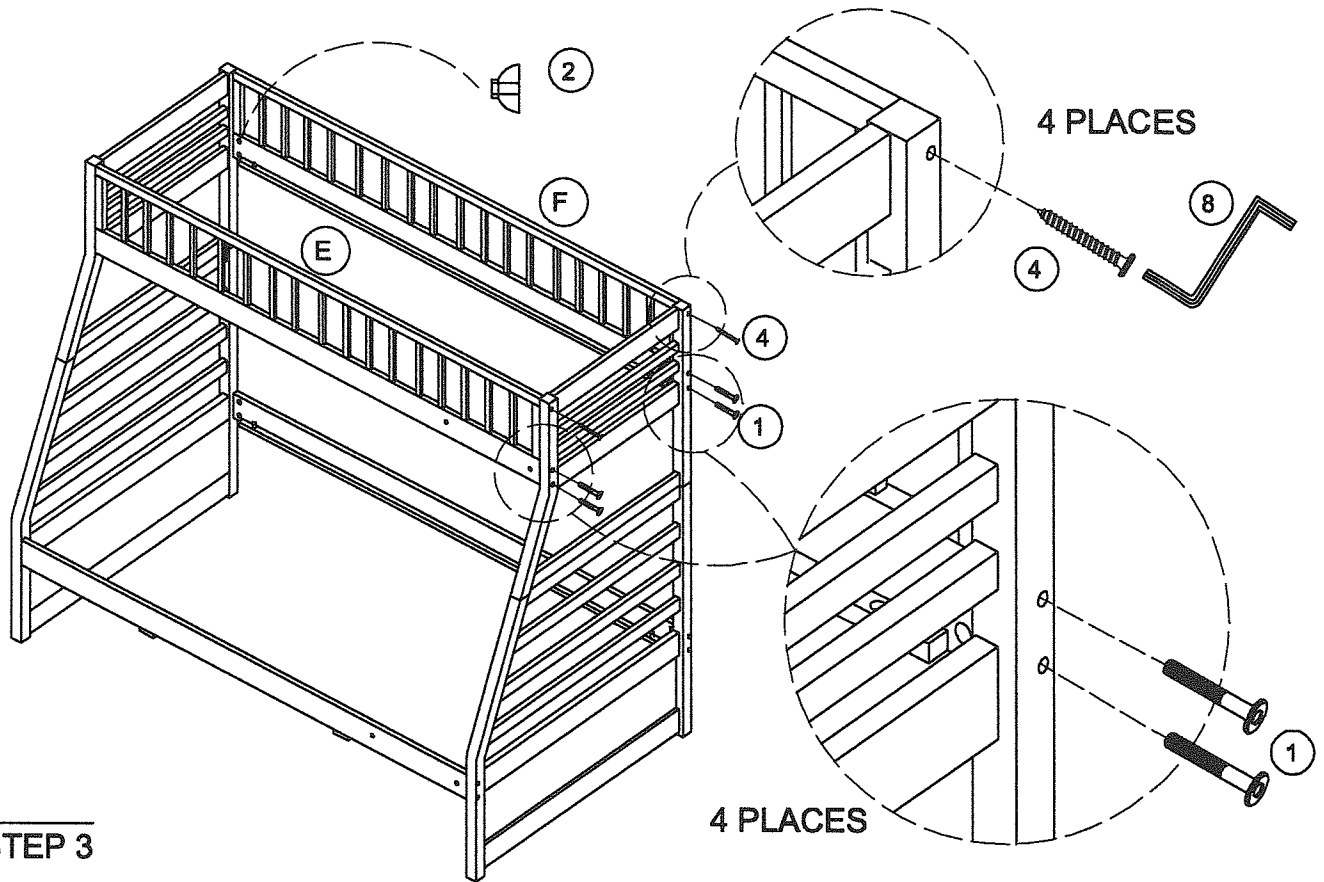


TO ASSEMBLE AS TOP BUNK

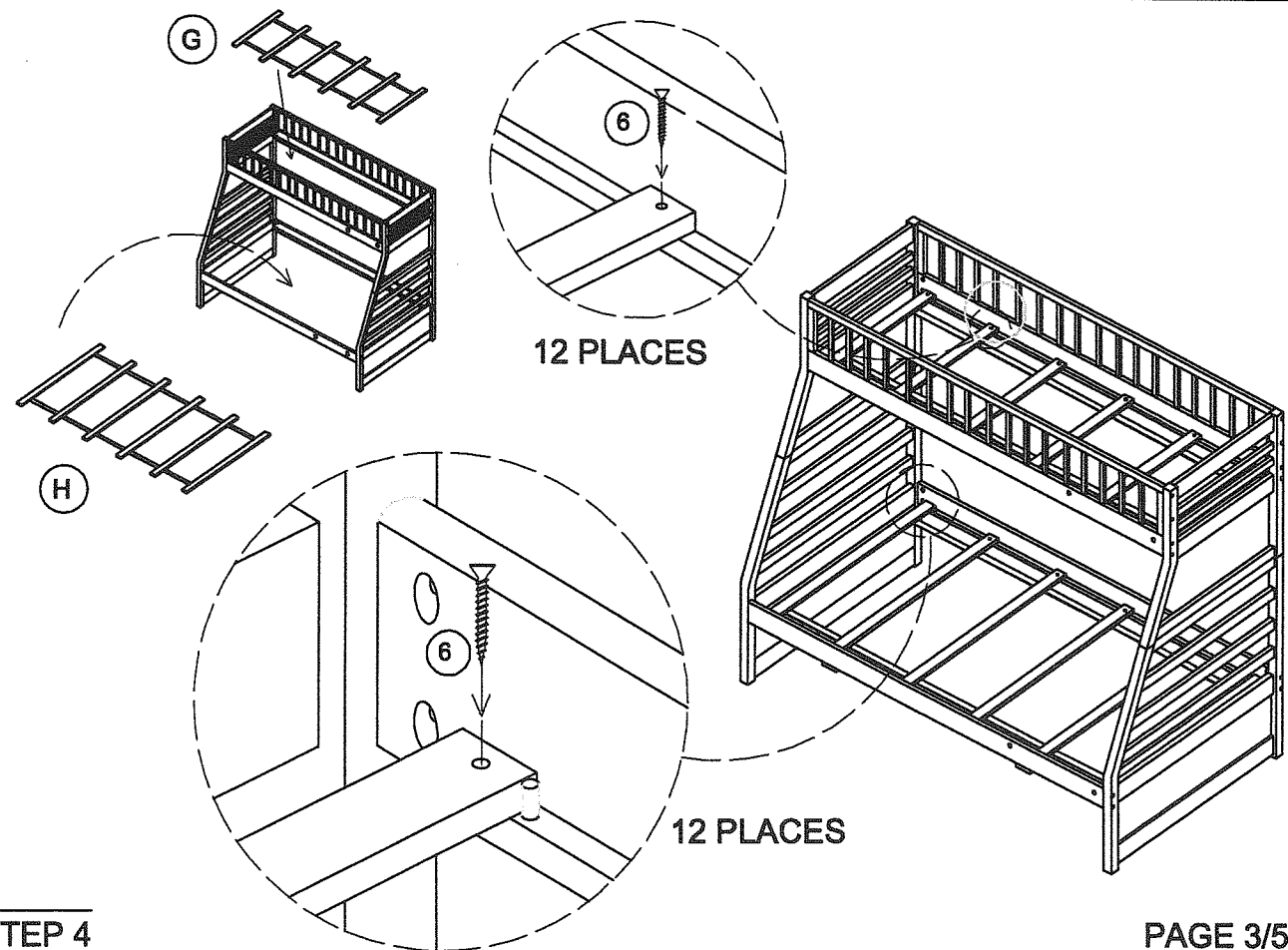


ASSEMBLY INSTRUCTION

Model No: #02018 & #02020
#02018W & #02020W & #37040



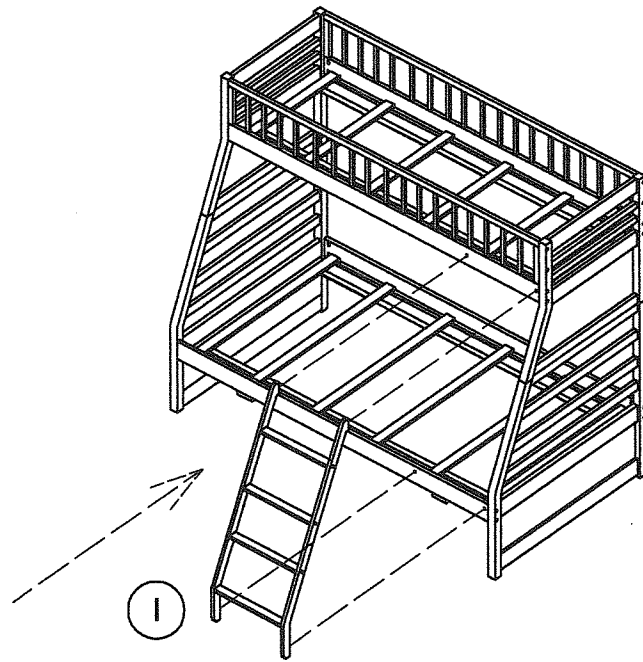
STEP 3



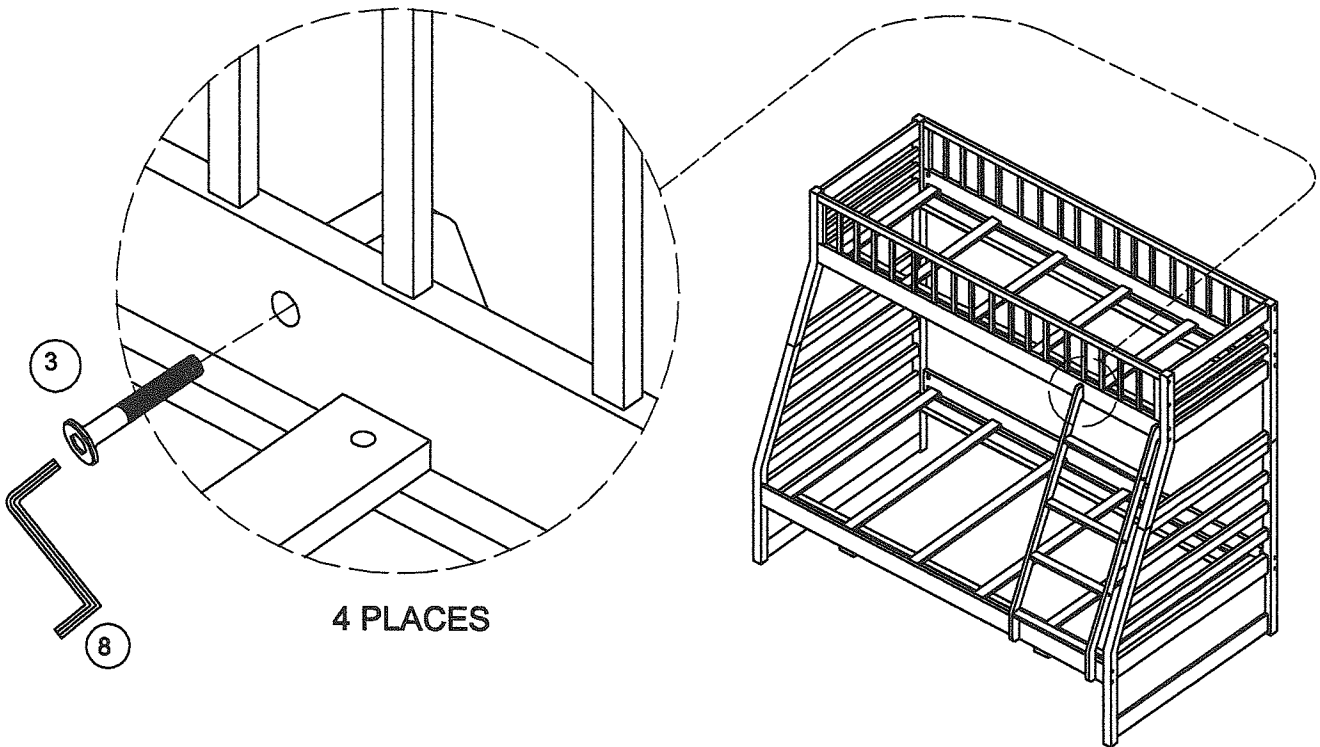
STEP 4

ASSEMBLY INSTRUCTION

Model No: #02018 & #02020
#02018W & #02020W & #37040



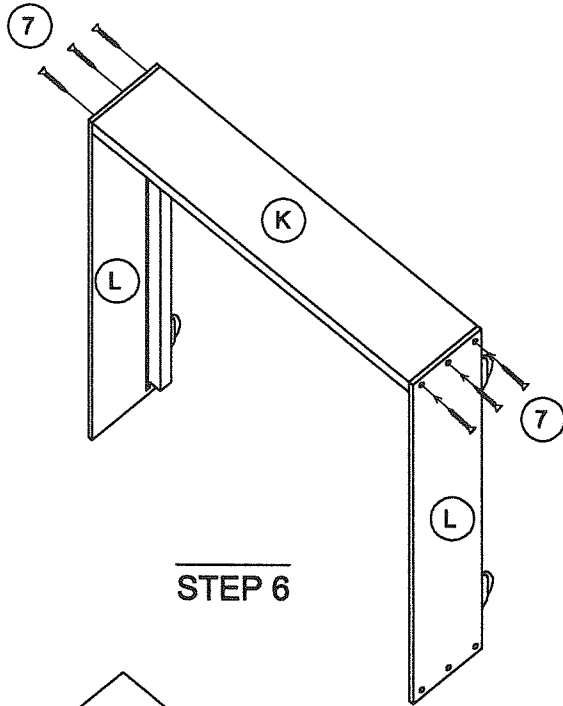
TO ASSEMBLE AS LADDER SET



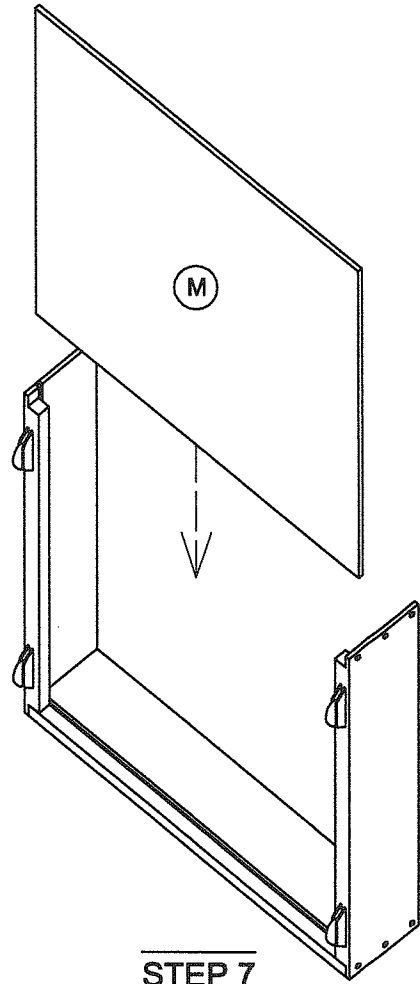
ASSEMBLY INSTRUCTION

Model No: #02018 & #02020
#02018W & #02020W & #37040

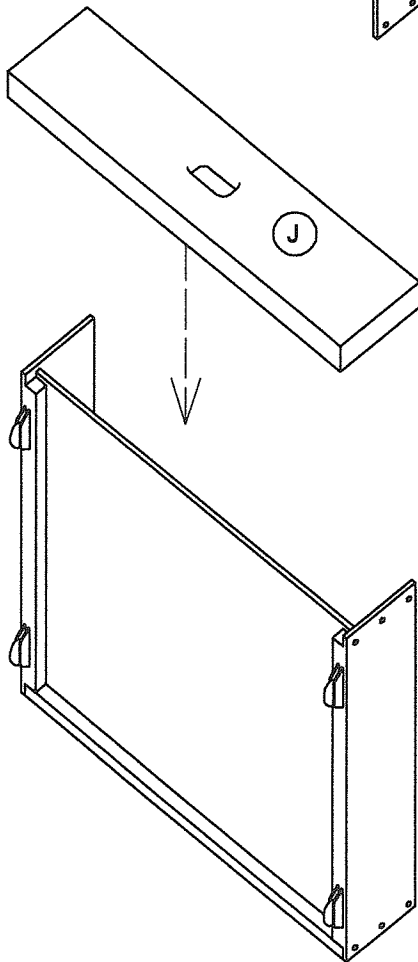
TO ASSEMBLE AS TRUNK



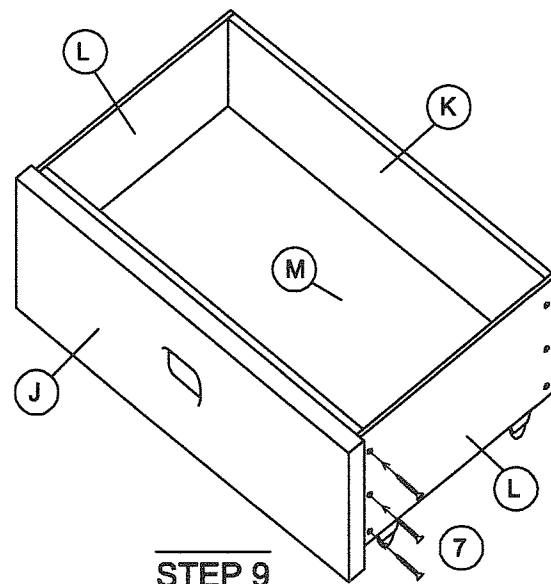
STEP 6



STEP 7



STEP 8



STEP 9