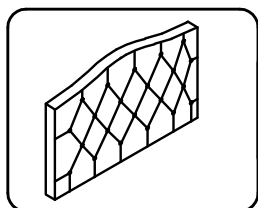


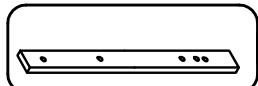
# ASSEMBLY INSTRUCTION FOR ACME FURNITURE

## QUEEN / TWIN BED

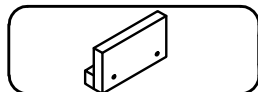
**Item: 39125/39126/39127/39128/39129/39130/39131/39132/39133/39134**



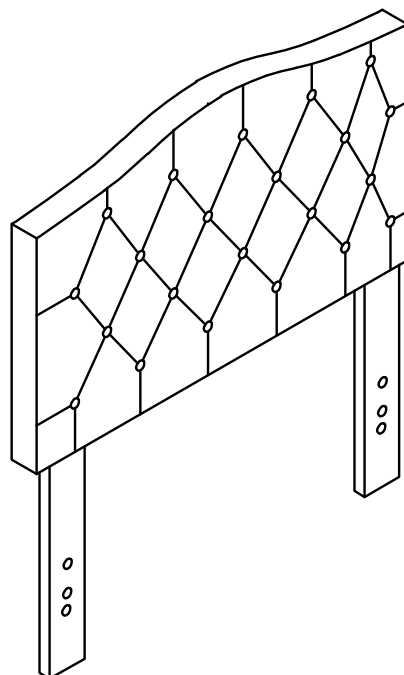
**HEAD BOARD**  
#1 x 1 pc





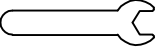


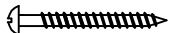


**Leg**  
#2 X 2 PCS



**Hangers bed**  
#3 X 2 PCS



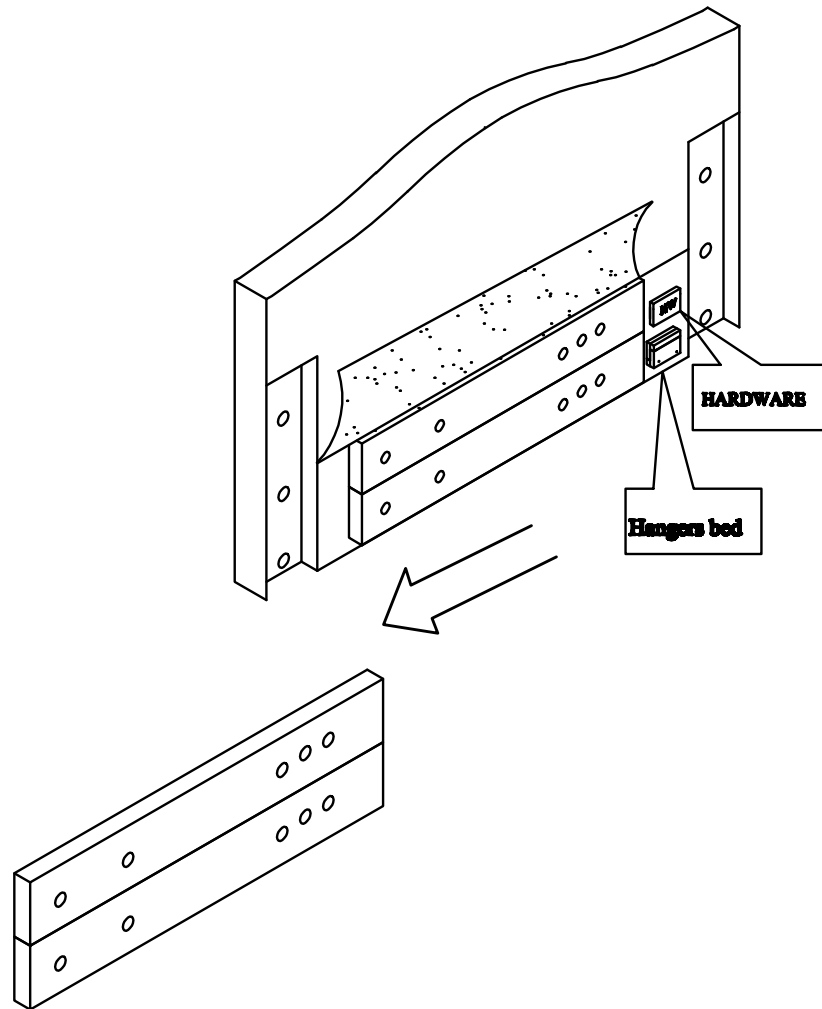
- |          |   |                                       |
|----------|---|---------------------------------------|
| <b>A</b> |    | <b>BOLT</b><br>5/16 *40=10 PCS        |
| <b>B</b> |    | <b>FLAT WASHER</b><br>Ø5/16*20=16 PCS |
| <b>C</b> |    | <b>LOCK WASHER</b><br>Ø5/16 * =16 PCS |
| <b>D</b> |    | <b>HEX NUT</b><br>Ø5/16 * =6 PCS      |
| <b>E</b> |  | <b>FLAT WRENCH</b><br>1 PC            |
| <b>F</b> |  | <b>ALLEN WRENCH</b><br>Ø4 x 100=1PC   |
| <b>G</b> |  | Ø8 x 40=4PCS                          |
| <b>H</b> |  | Ø4 x 50=4PCS                          |

# ASSEMBLY INSTRUCTION FOR ACME FURNITURE

## QUEEN / TWIN BED

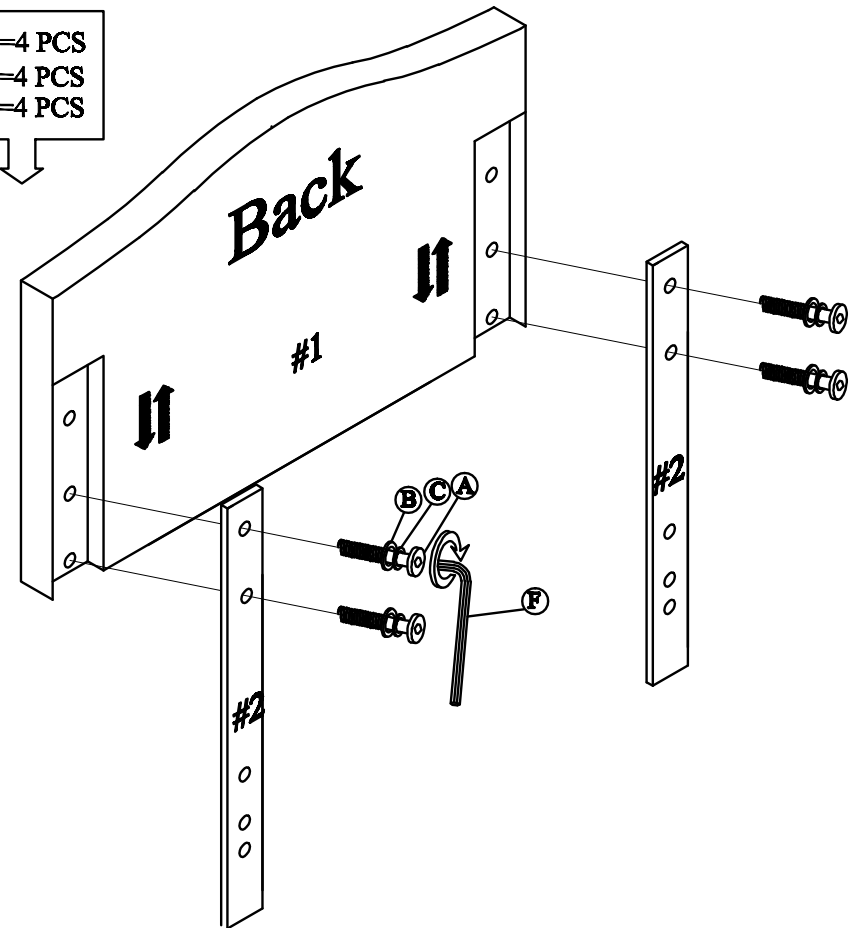
STEP :1

Open the velcro to remove legs , hardware and hangers pack from behind the headboard.



STEP :2

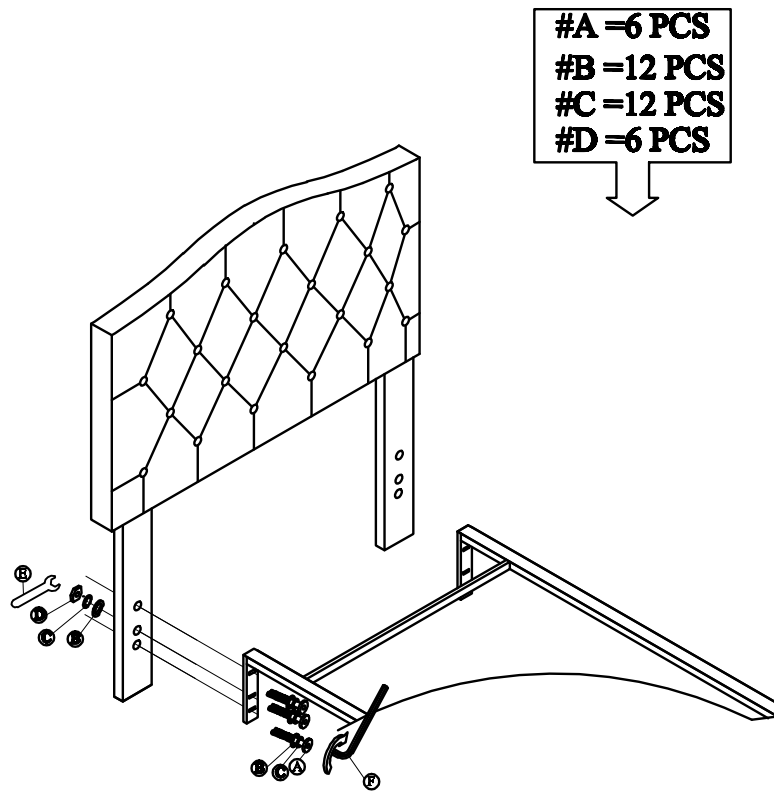
#A =4 PCS  
#B =4 PCS  
#C =4 PCS



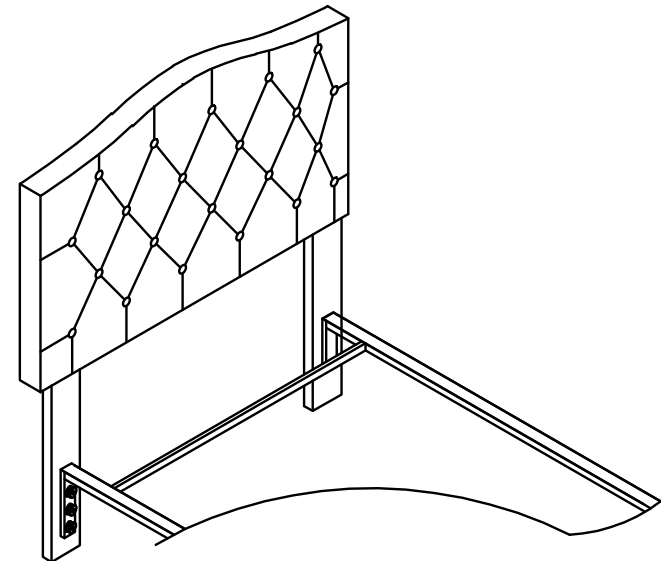
# ASSEMBLY INSTRUCTION FOR ACME FURNITURE

## QUEEN / TWIN BED

**STEP :3**



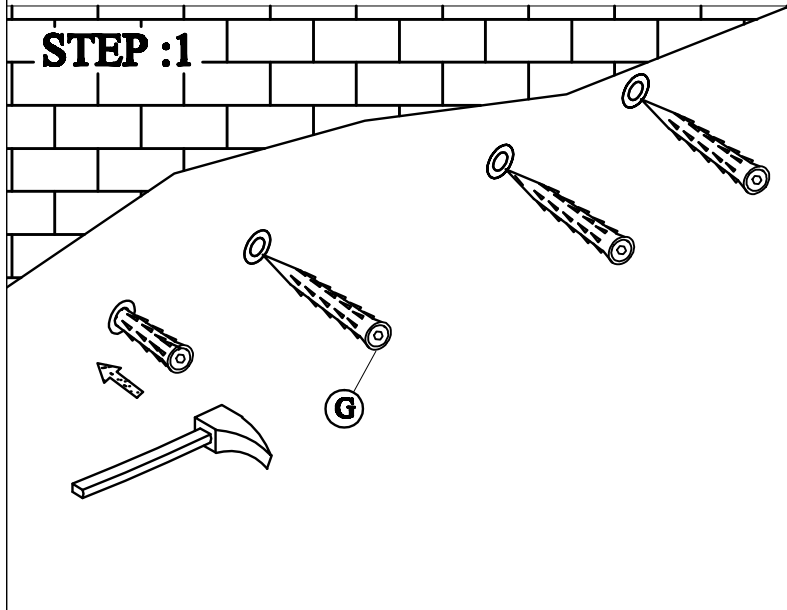
**COMPLETED !**



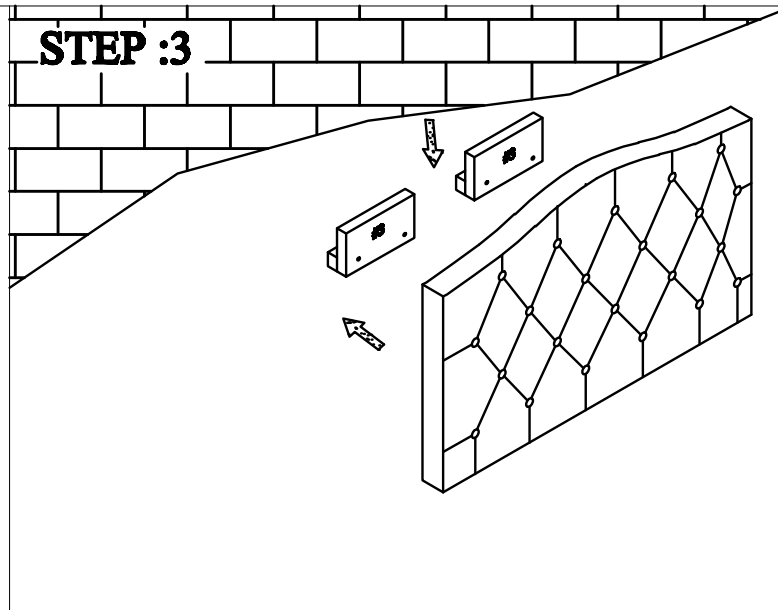
# ASSEMBLY INSTRUCTION FOR ACME FURNITURE QUEEN / TWIN BED

Item: 39125/39126/39127/39128/39129/39130/39131/39132/39133/39134

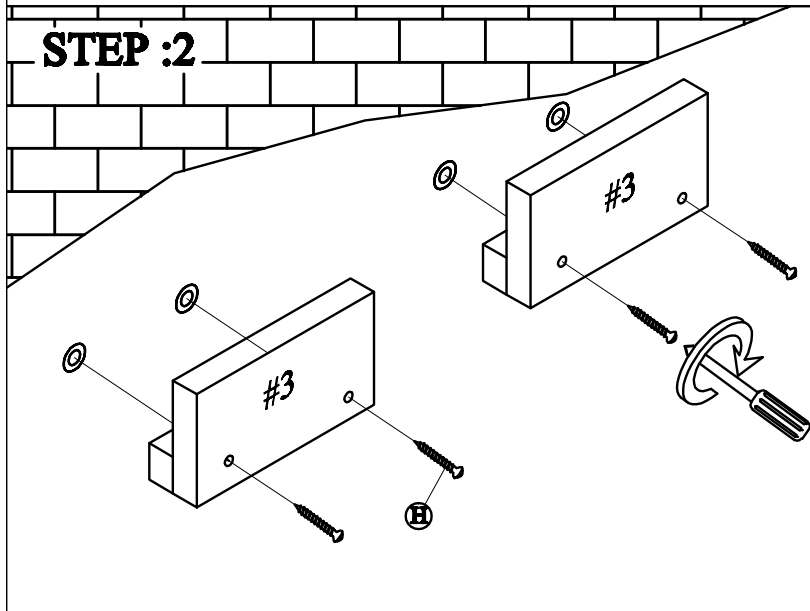
**STEP :1**



**STEP :3**



**STEP :2**



**COMPLETED !**

