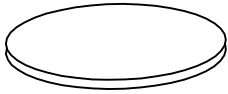


# ASSEMBLY INSTRUCTIONS

ITEM : IBXT36R-42

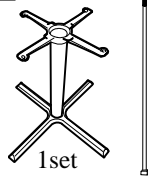
DESCRIPTION : 36" ROUND TABLE

**A** TABLE TOP



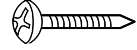
1pc

**B** TABLE LEG



1set

**C** SCREW PAN HEAD Ø 10 x 1"



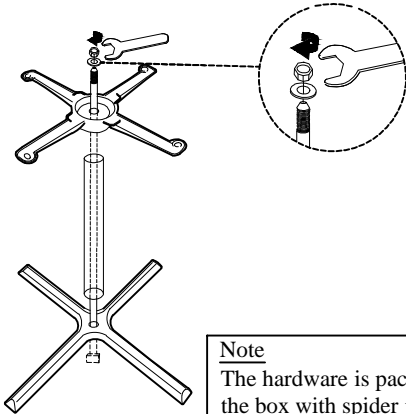
8pcs

Read these instructions carefully. Remove all wrapping material, staples, and straps from the carton. See hardware and furniture part list for guidance. Be sure you place all wooden furniture parts on a clean and flat soft surface, such as a carpet or rug, to prevent parts from being scratched.

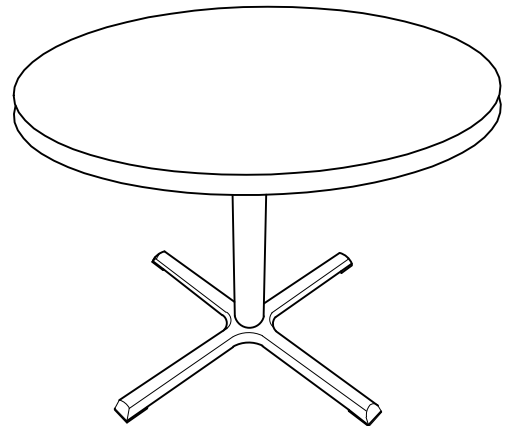
**CAUTION :**

1. DO NOT fully tighten the nut or screws until all parts have been connected.
2. DO NOT over tighten the nuts or screws to avoid causing damage to the thread.
3. Keep all hardware parts out of the reach of children.

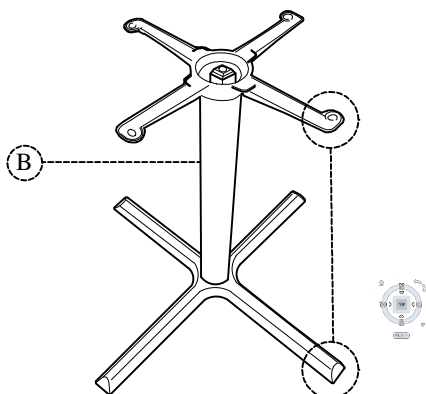
- 1** Insert tie rod threaded end through spider plate center hole. Insert tie rod through column. Place spider plate on a hard surface with the tie rod threaded in the end in the upright position. Insert tie rod threaded end into bottom base center hole. Install washer and nut. Center all components and tighten securely. Adjust level glides as necessary.



**Note**  
The hardware is packed in the box with spider plate.



- 2** Legs of spider plate must be aligned with metal base after table base is assembled.



- 3** Attach table base on mounting plate with 8pcs of screws.

