

IMPORTANT / IMPORTANTE

SCAN FOR BILT. 3D INSTRUCTIONS



POWERED BY BILT INTELLIGENT INSTRUCTIONS®



Scan for easy 3D instructions

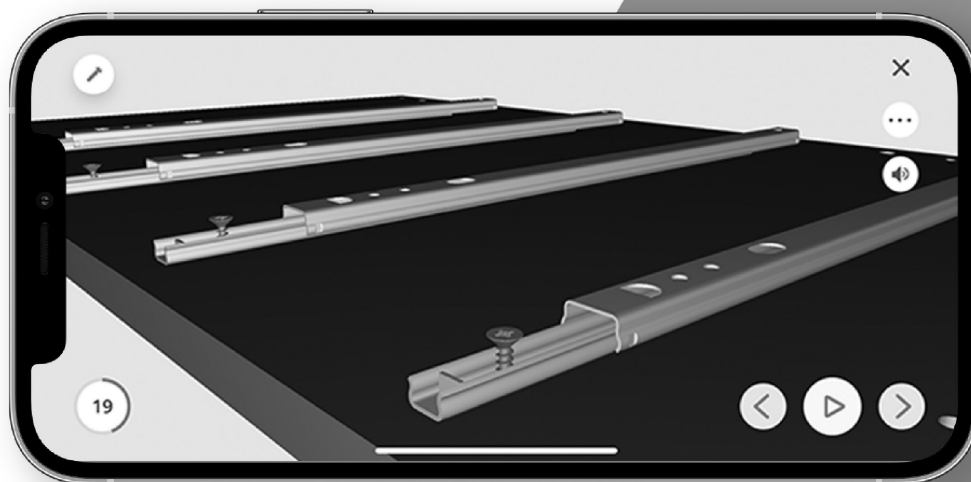
Download the BILT app before you begin

Scannez pour des instructions faciles en 3D

Téléchargez l'application BILT avant de commencer

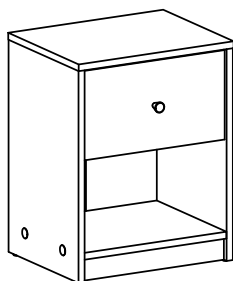
Escanea para instrucciones fáciles en 3D

Descargue la aplicación BILT antes de comenzar

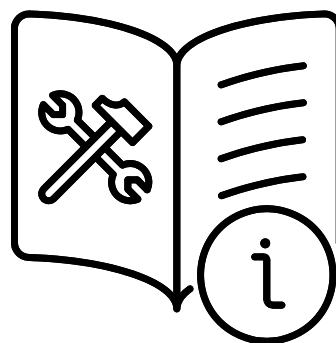


tvilum

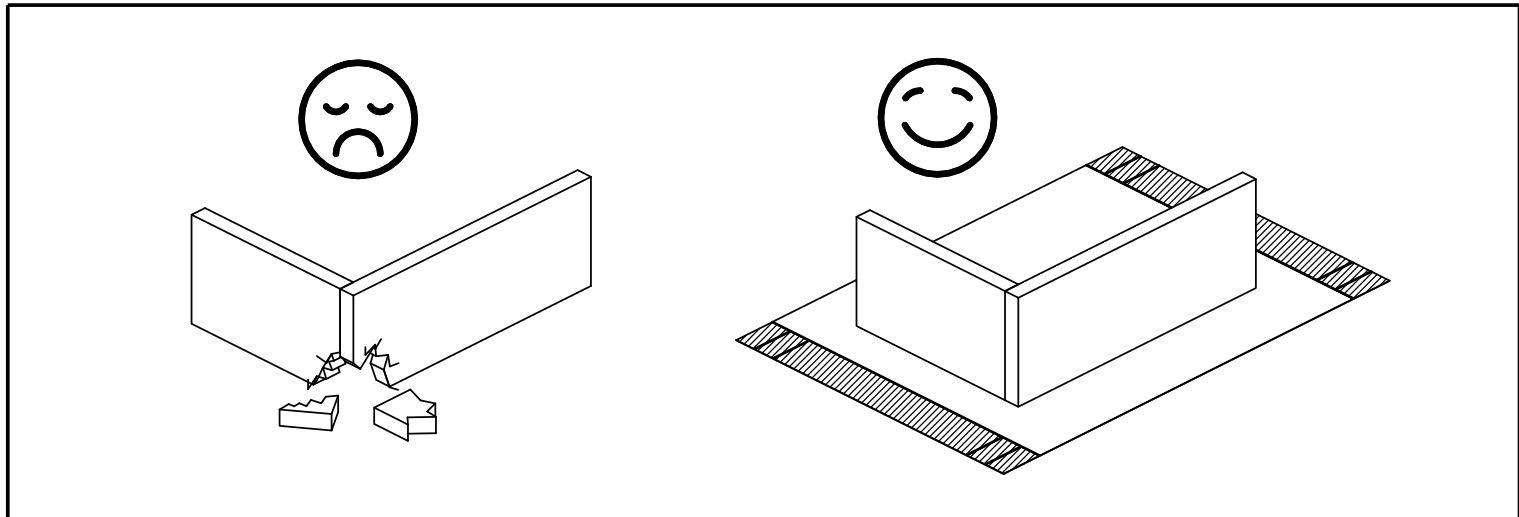
70331

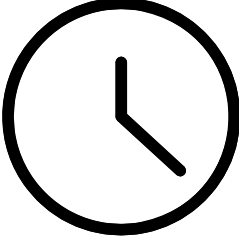


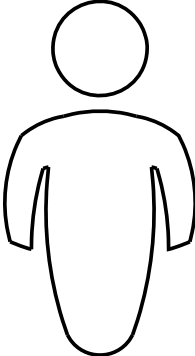
www.tvilum.com

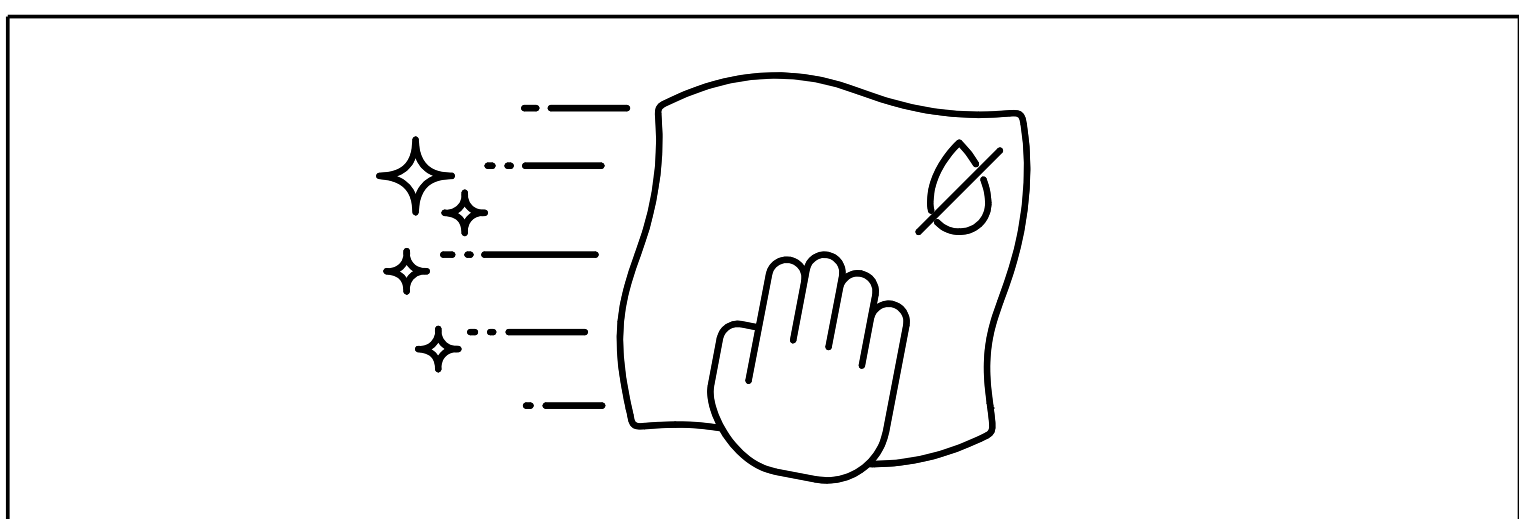


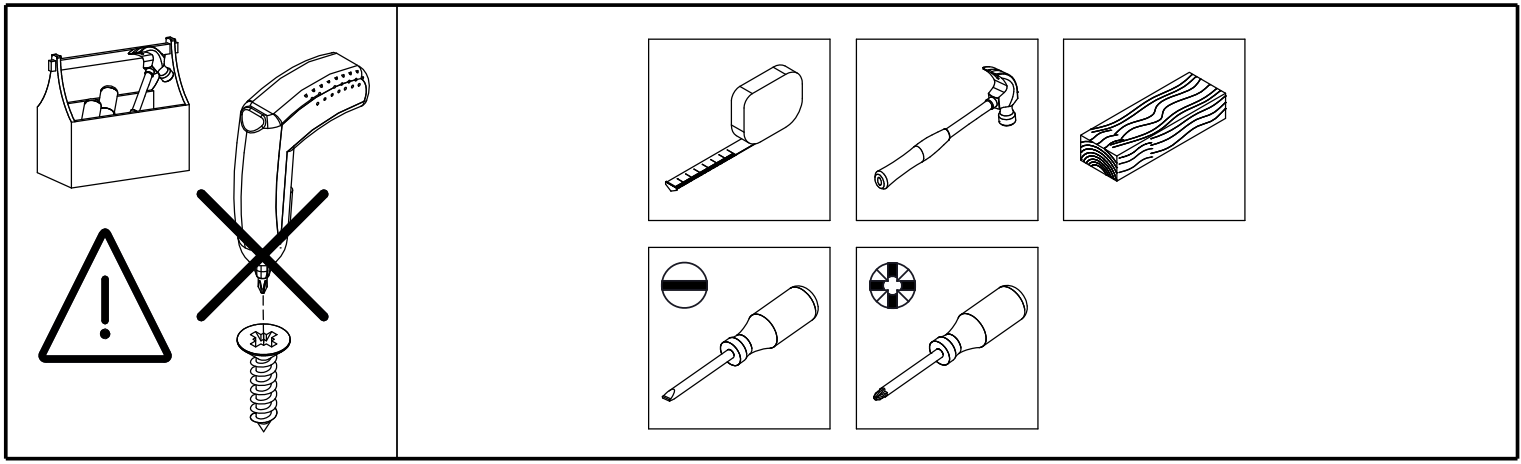
70331-50 G



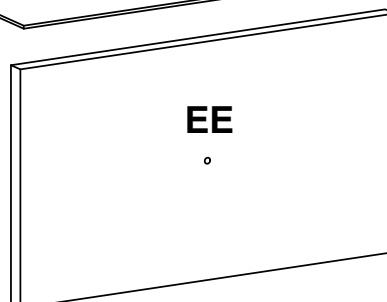
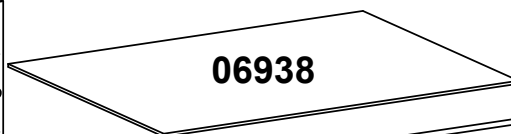
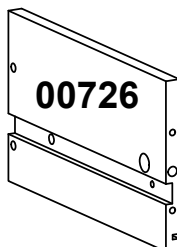
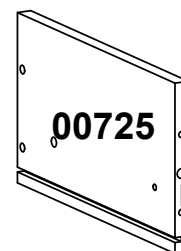
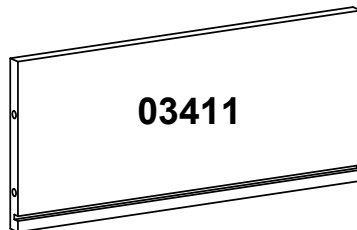
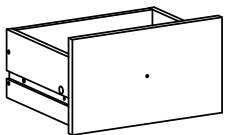
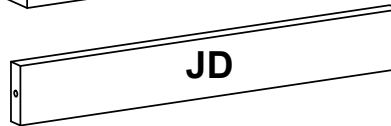
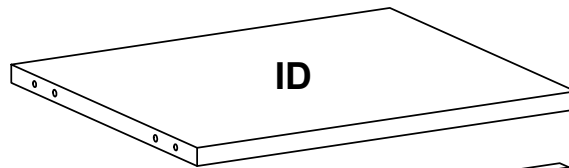
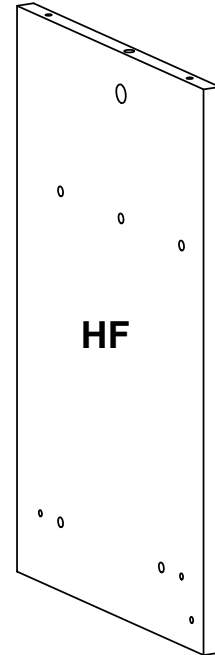
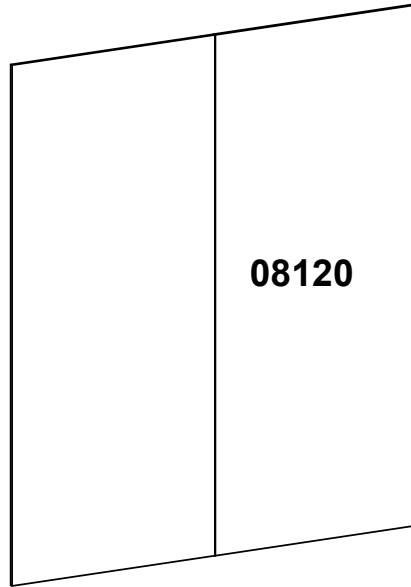
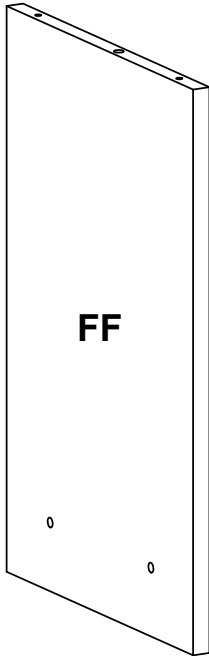
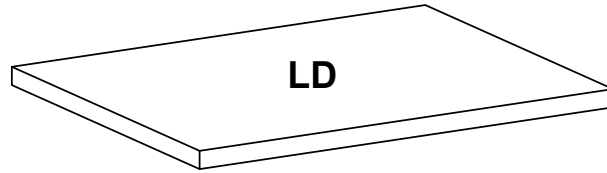
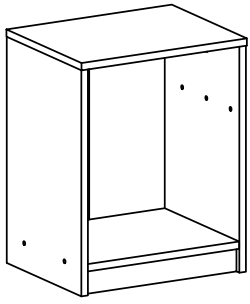
 1-2 hr

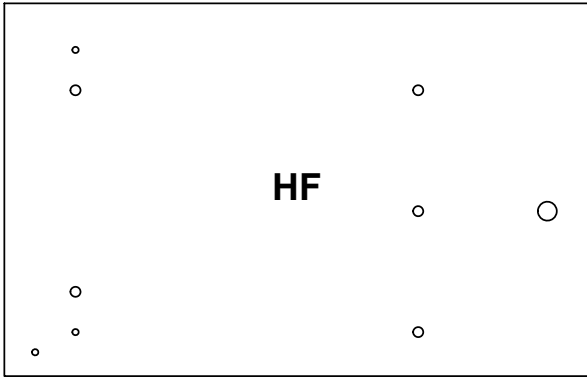
 x 1



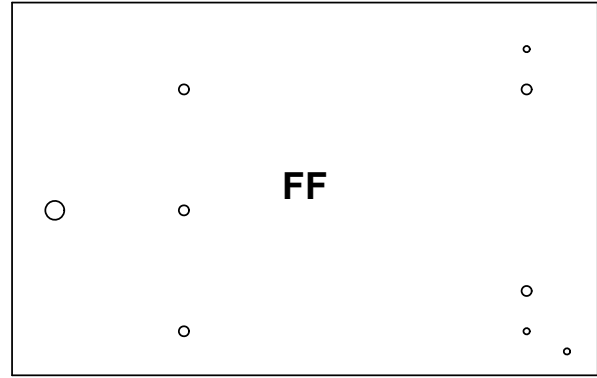


<p>0110901 x1</p> <p>Ø0.87x0.02" Ø22x0,5 mm</p>	<p>0111023 x1</p> <p>0.93x0.67x0.87" 23,5x17x22 mm</p>	<p>0120203 x14</p> <p>Ø0.2x1.18" Ø5x30 mm</p>	<p>0120228 x4</p> <p>Ø0.25x1.57" Ø6,3x40 mm</p>	<p>0123006 x1</p> <p>0.06x0.98" 1,4x25 mm</p>
<p>0142615 x2</p> <p>0.63x0.33x9.84" 16x8,5x250 mm</p>	<p>0125281 x1</p> <p>Ø0.18x0.63" Ø4,5x16 mm</p>	<p>0125506 x1</p> <p>Ø0.16x0.98" Ø4x25 mm</p>	<p>0125610 x4</p> <p>Ø0.28x1.97" Ø7x50 mm</p>	<p>0131513 x4</p> <p>Ø0.30x1.73/1.34" Ø7,5x44/34 mm</p>
<p>0131687 x4</p> <p>Ø0.59x0.37" Ø15x9,5 mm</p>	<p>0163001 x4</p> <p>Ø0.47x0.16" Ø12x4 mm</p>	<p>0181018 x1</p> <p>Ø0.91/Ø0.39x0.91" Ø23/Ø10x23 mm</p>	<p>0197201 x2</p> <p>Ø0.31/Ø0.61x0.57" Ø8/Ø15,5x14,5 mm</p>	<p>0197642 x1</p> <p>0.16x1.93x1.46" 4x49x37 mm</p>

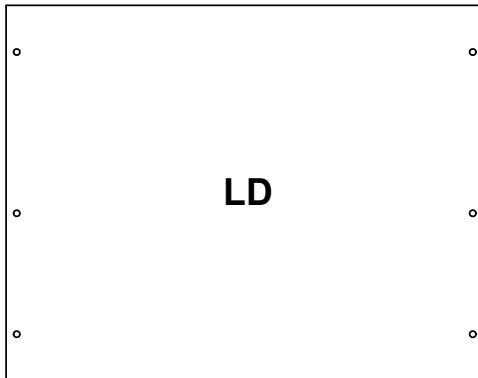




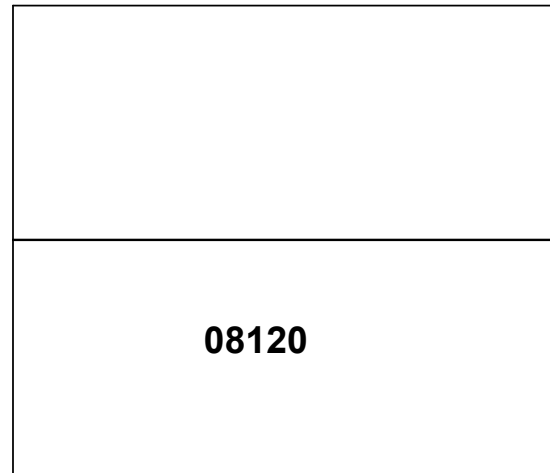
465x296x15mm



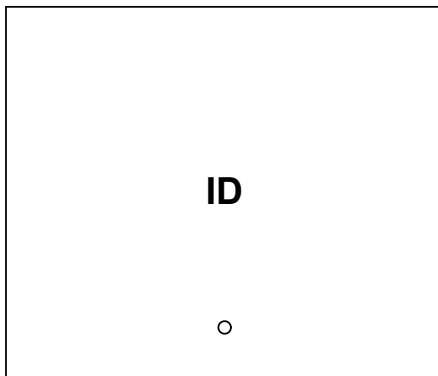
465x296x15mm



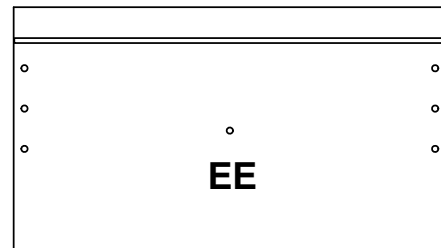
379x298x15mm



428x372x2,5mm



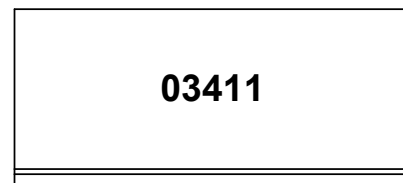
347x295x15mm



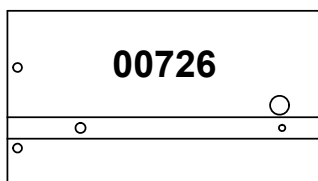
343x196x15mm



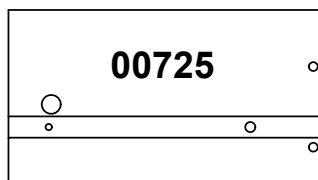
347x49x15mm



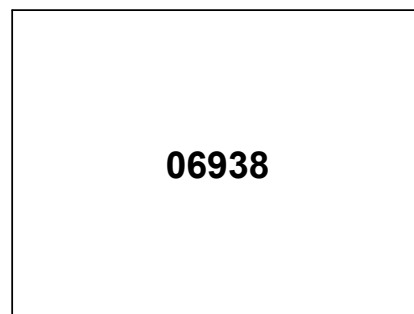
314x140x12,2mm



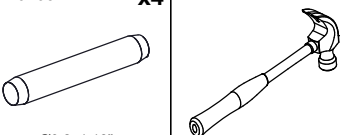
250x140x12,2mm

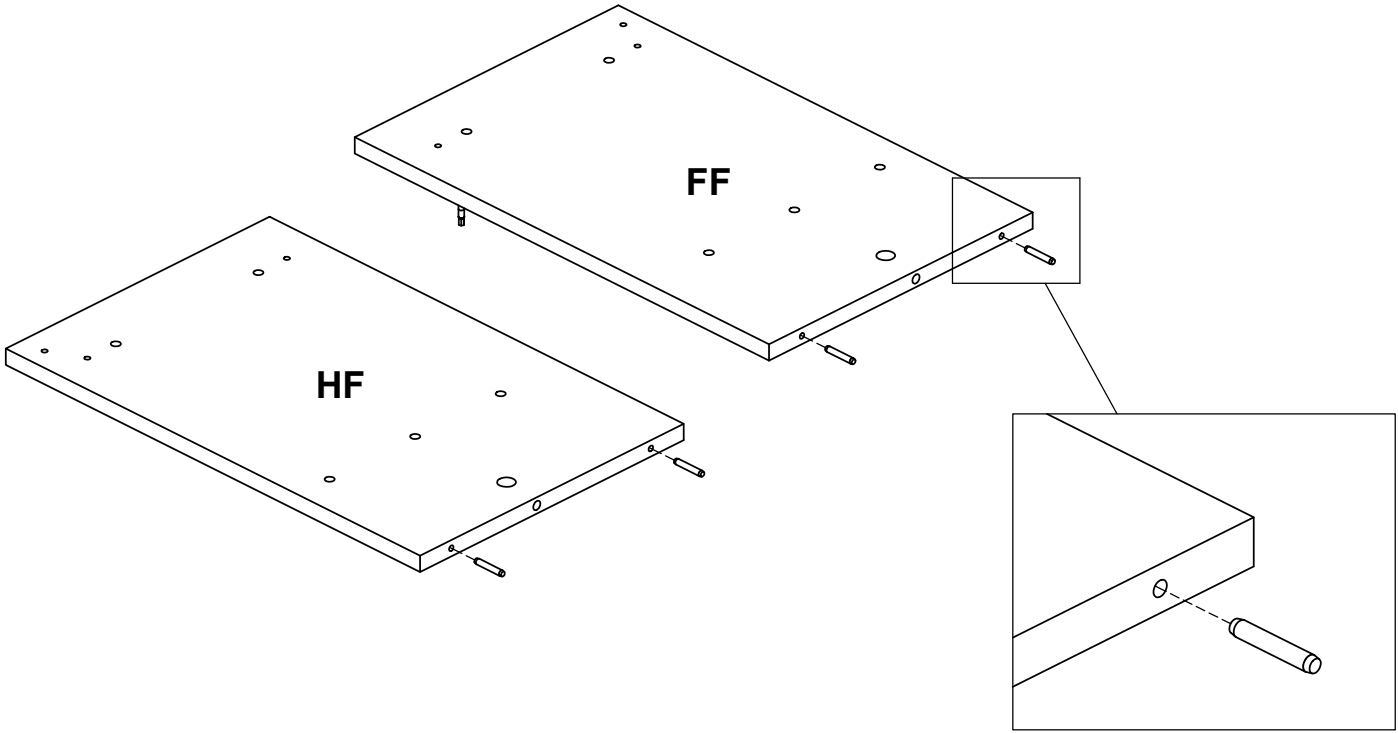


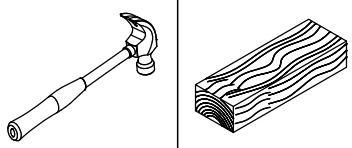
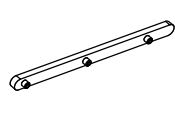
250x140x12,2mm

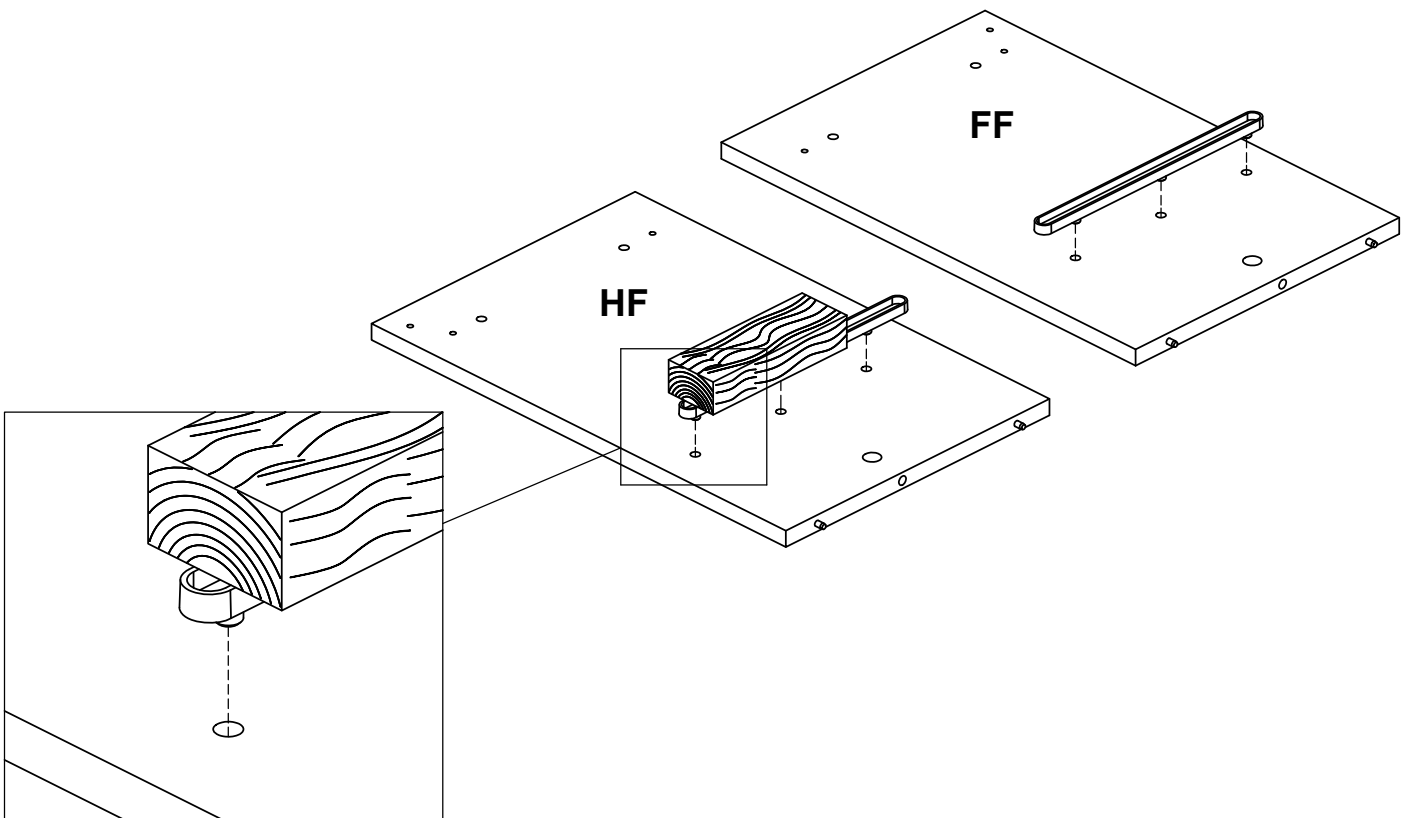


325x247x2,5mm

1	0120203	x4
	 $\varnothing 0.2 \times 1.18''$ $\varnothing 5 \times 30 \text{ mm}$	

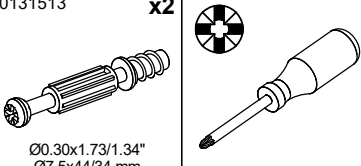


2	0142615	x2	
	 $0.63 \times 0.33 \times 9.84''$ $16 \times 8,5 \times 250 \text{ mm}$		

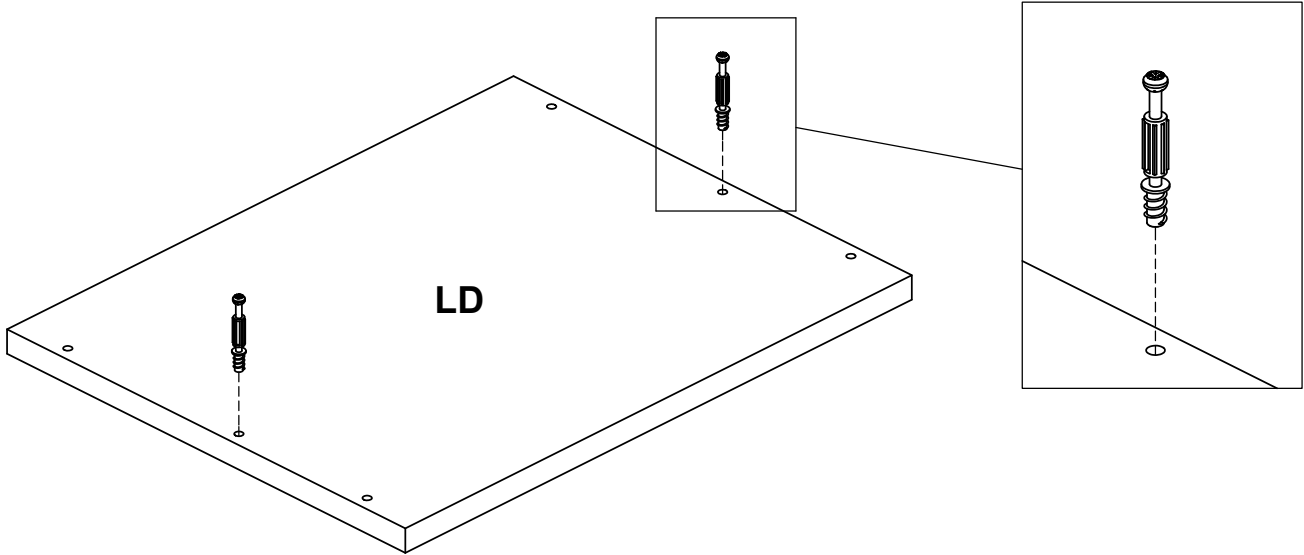
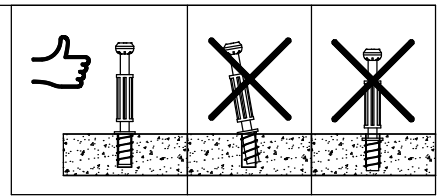


3

0131513 **x2**

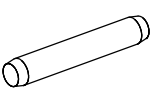


Ø0.30x1.73/1.34"
Ø7.5x44/34 mm



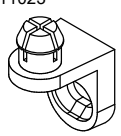
4

0120203 **x6**

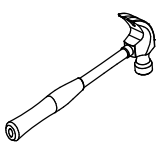
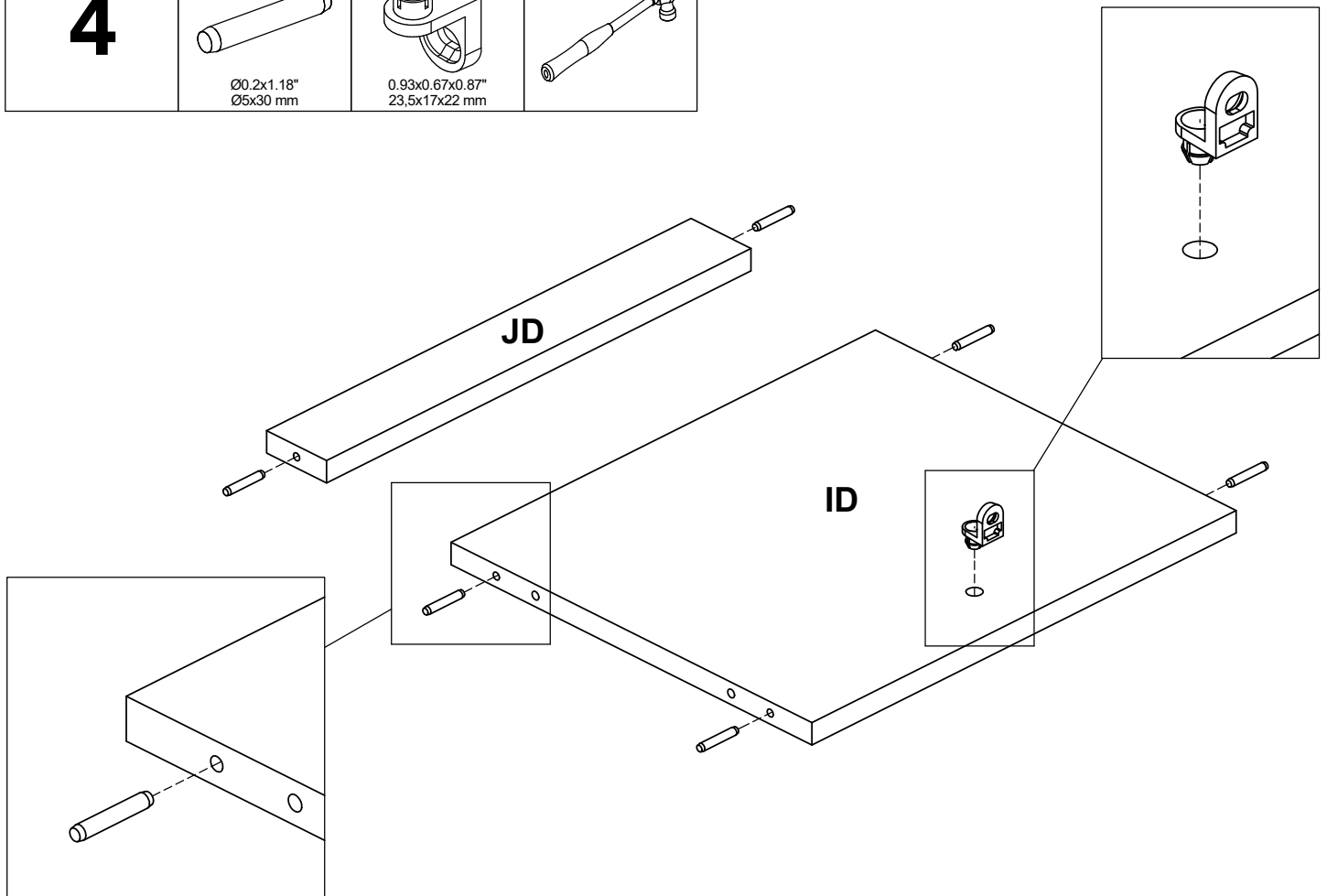


Ø0.2x1.18"
Ø5x30 mm

0111023 **x1**



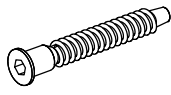
0.93x0.67x0.87"
23.5x17x22 mm

5

0125610

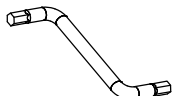
x4



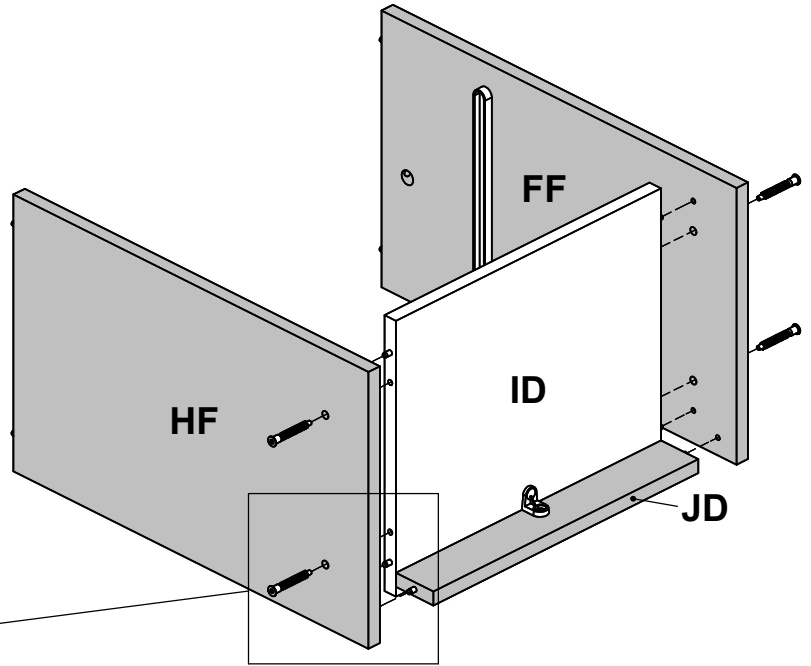
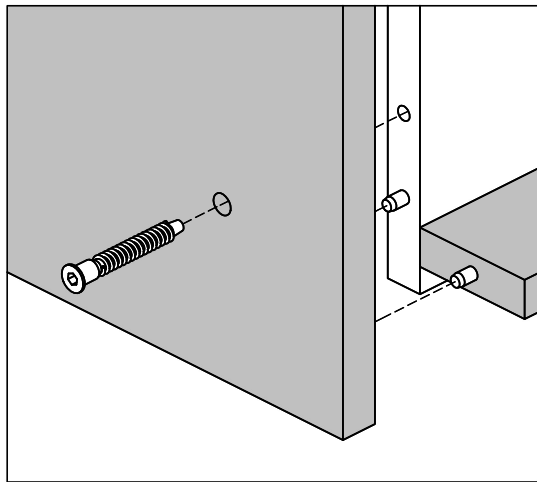
Ø0.28x1.97"
Ø7x50 mm

0197642

x1



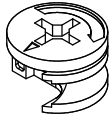
0.16x1.93x1.46"
4x49x37 mm



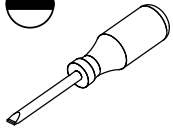
6

0131687

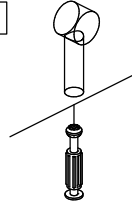
x2



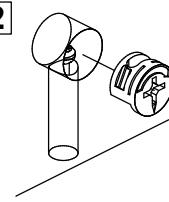
Ø0.59x0.37"
Ø15x9,5 mm



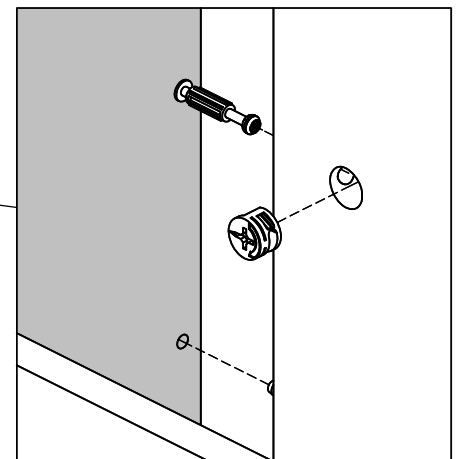
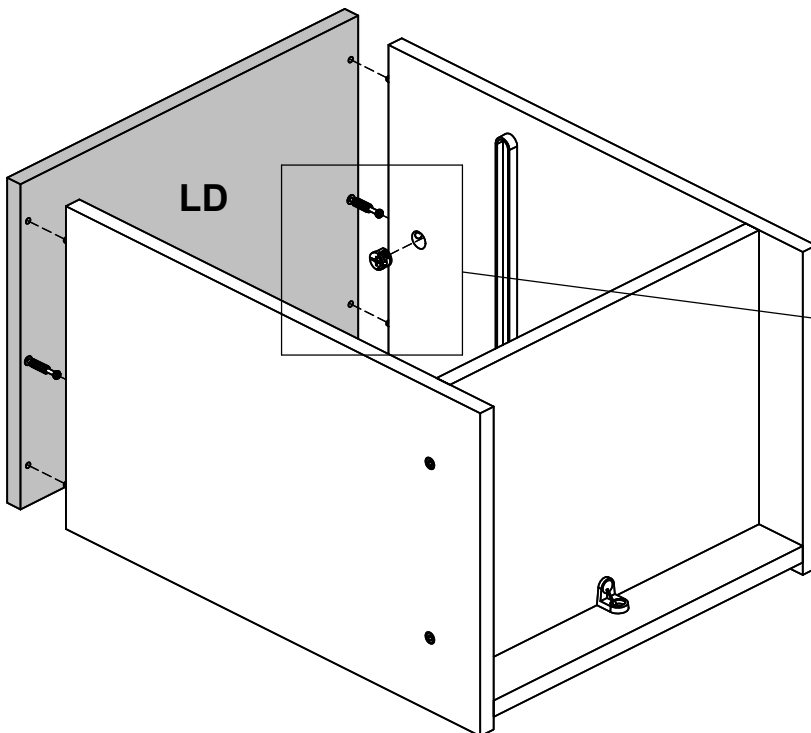
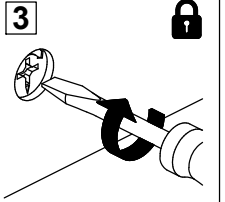
1



2



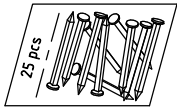
3



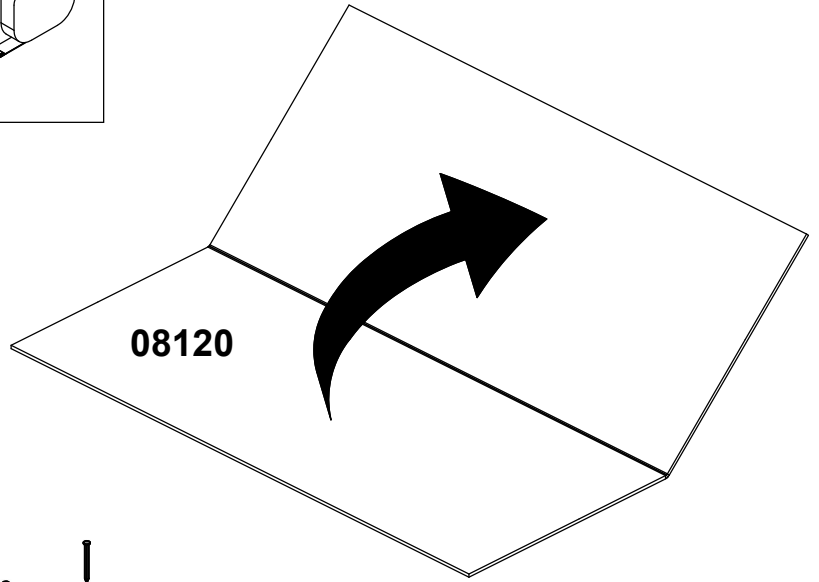
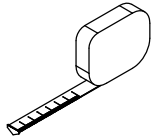
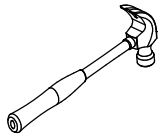
7

0123006

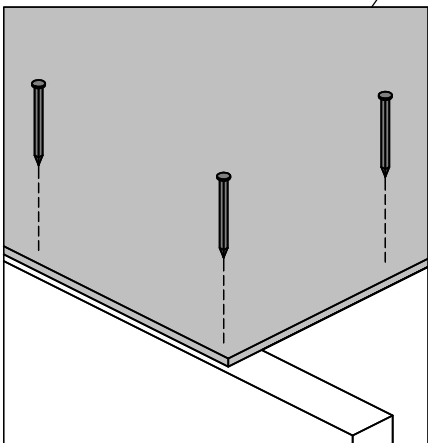
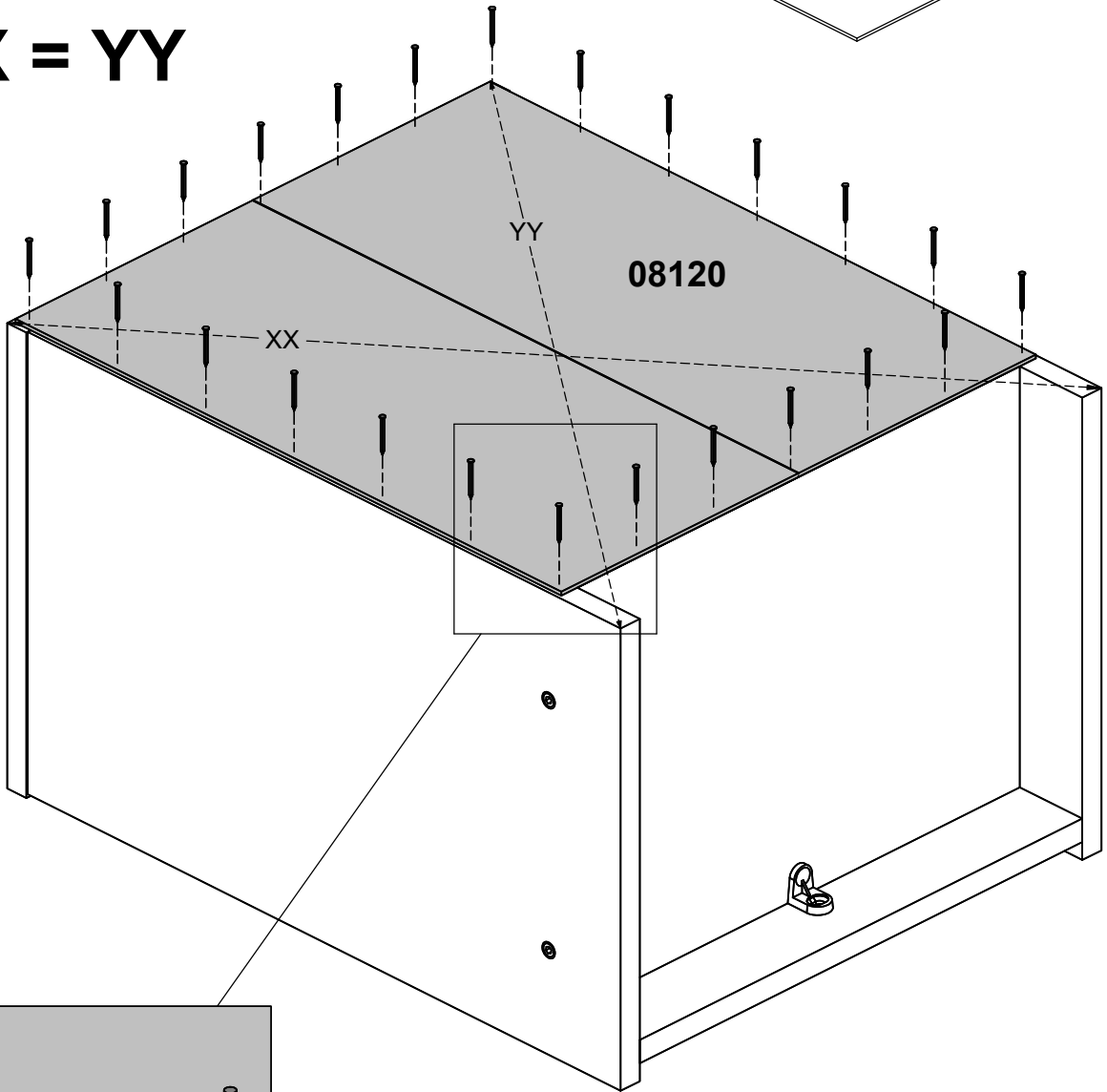
x1



0.06x0.98"
1.4x25 mm



XX = YY



8

0110901

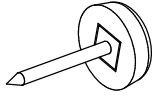
x4



Ø0.87x0.02"
Ø22x0.5 mm

0163001

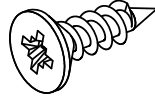
x4



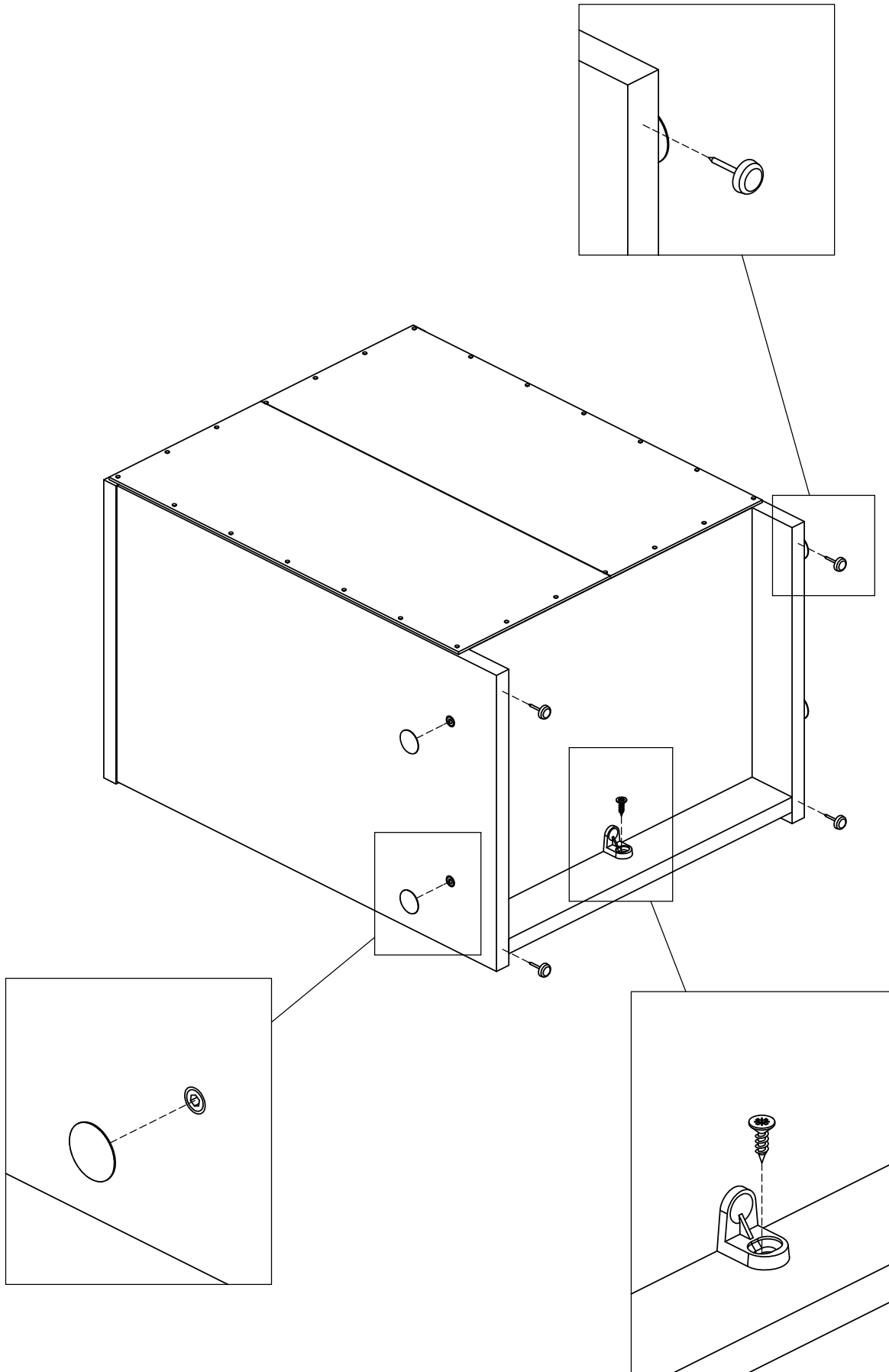
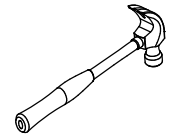
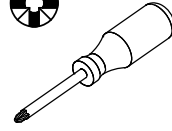
Ø0.47x0.16"
Ø12x4 mm

0125281

x1



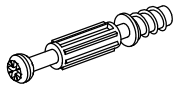
Ø0.18x0.63"
Ø4,5x16 mm



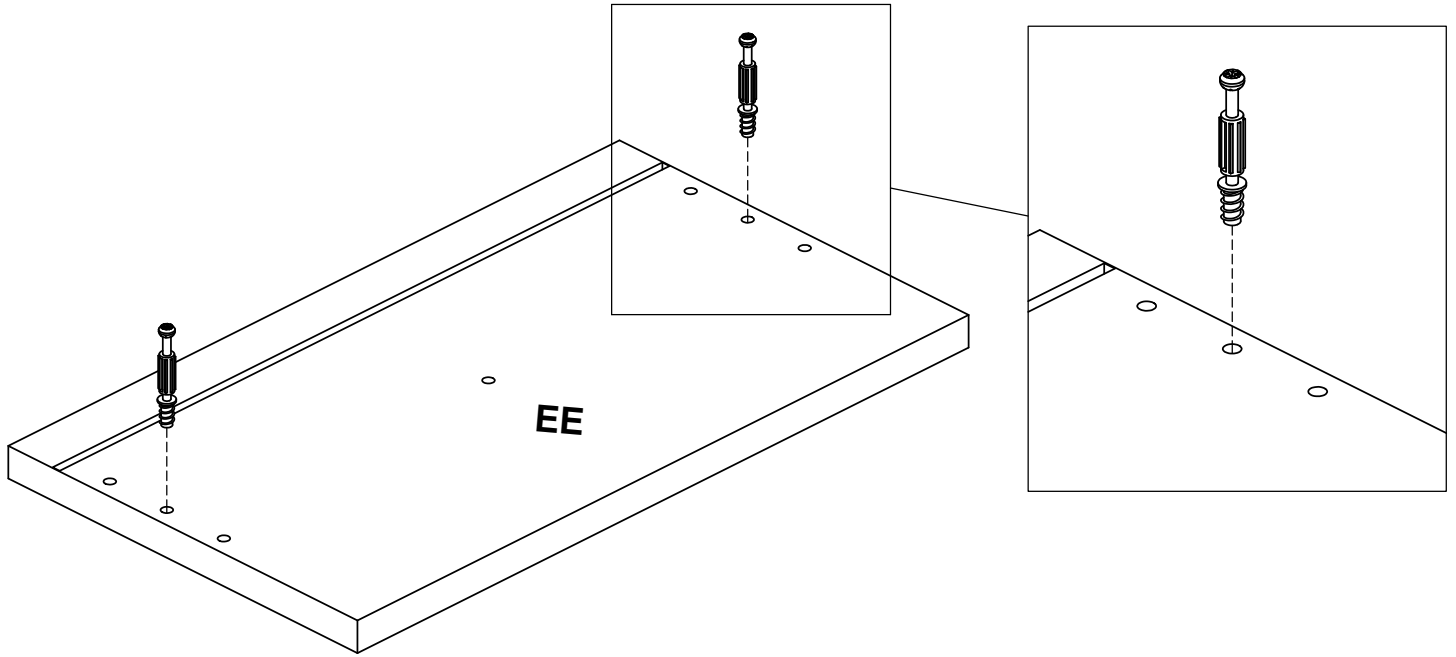
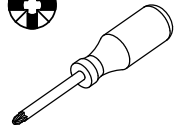
9

0131513

x2



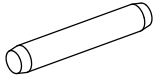
Ø0.30x1.73/1.34"
Ø7,5x44/34 mm



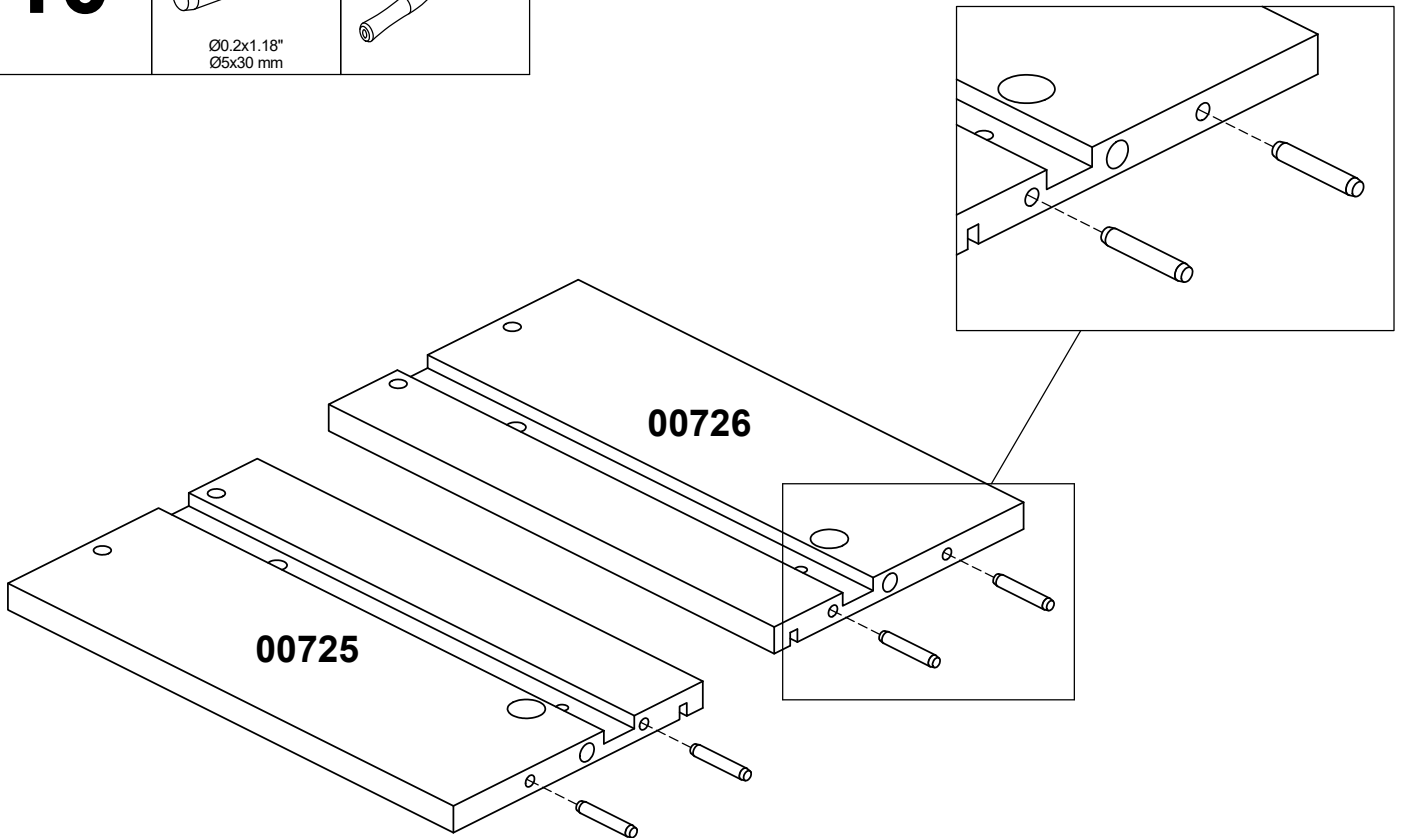
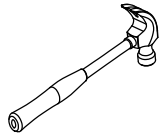
10

0120203

x4



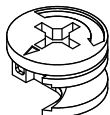
Ø0.2x1.18"
Ø5x30 mm



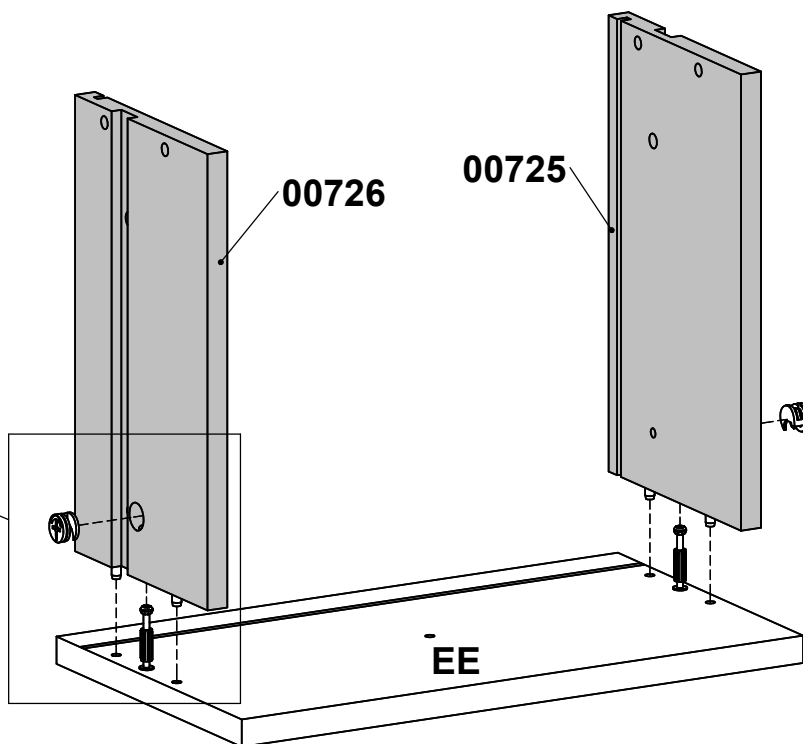
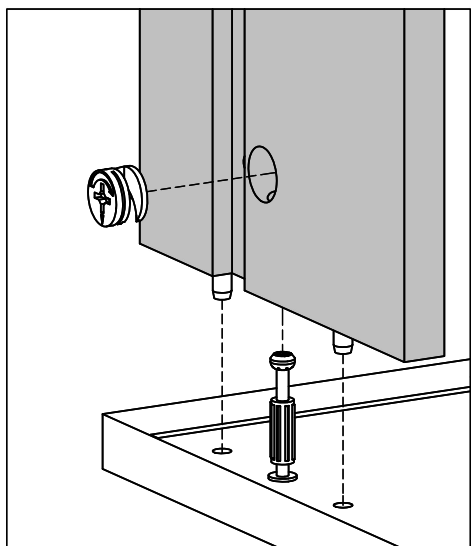
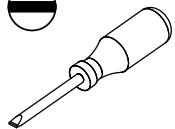
11

0131687

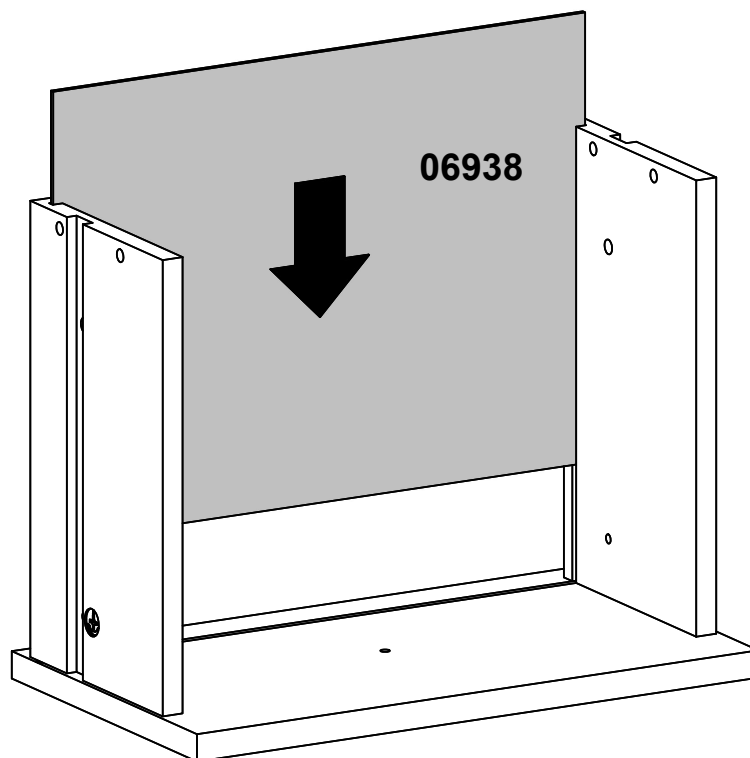
x2



Ø0.59x0.37"
Ø15x9,5 mm



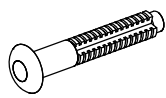
12



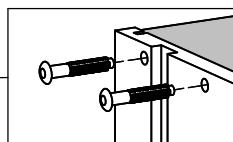
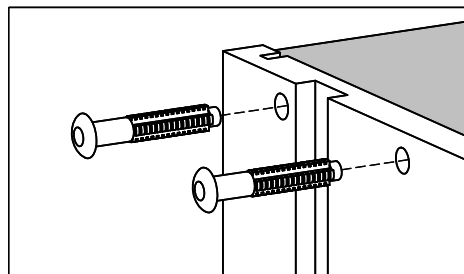
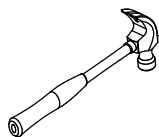
13

0120228

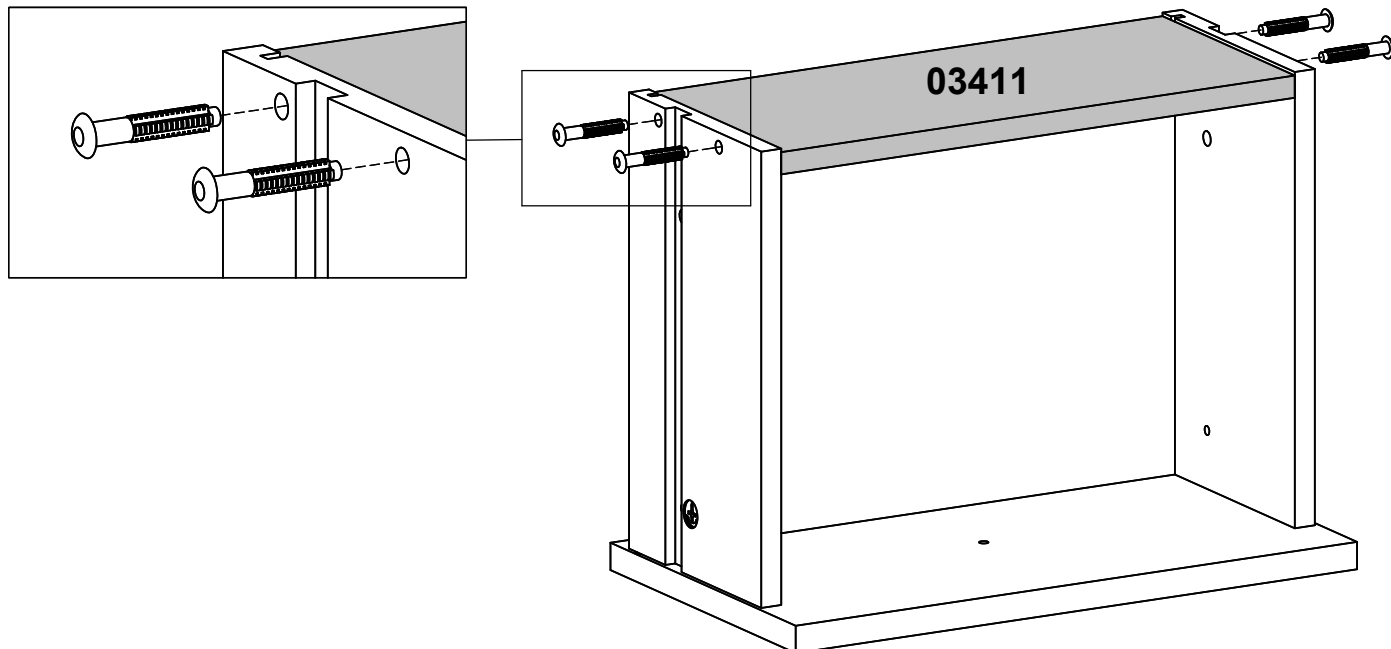
x4



Ø0.25x1.57"
Ø6.3x40 mm



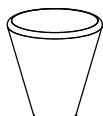
03411



14

0181018

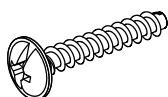
x1



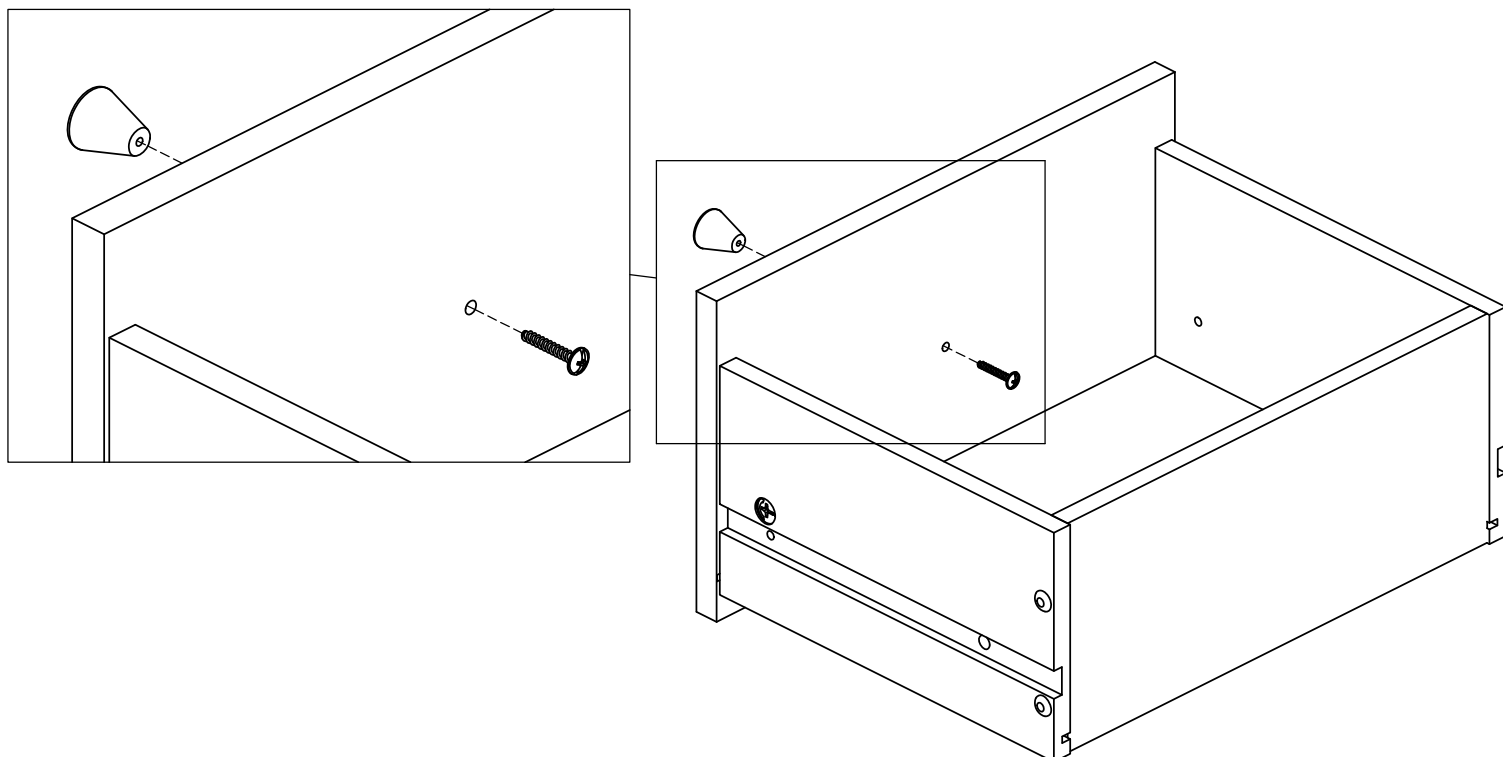
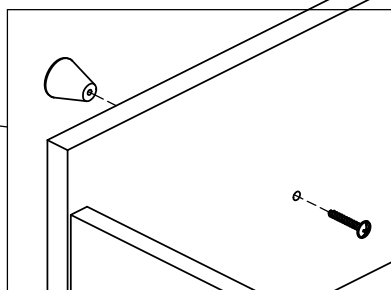
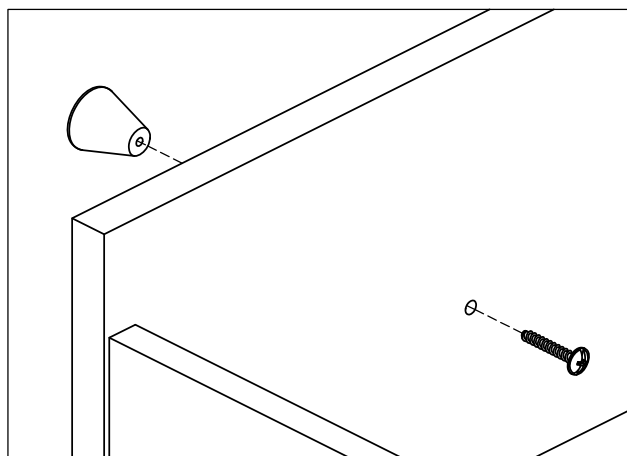
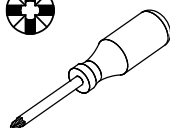
Ø0.91/Ø0.39x0.91"
Ø23/Ø10x23 mm

0125506

x1



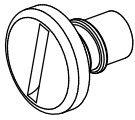
Ø0.16x0.98"
Ø4x25 mm



15

0197201

x2



Ø0.31/Ø0.61x0.57"
Ø8/Ø15,5x14,5 mm

