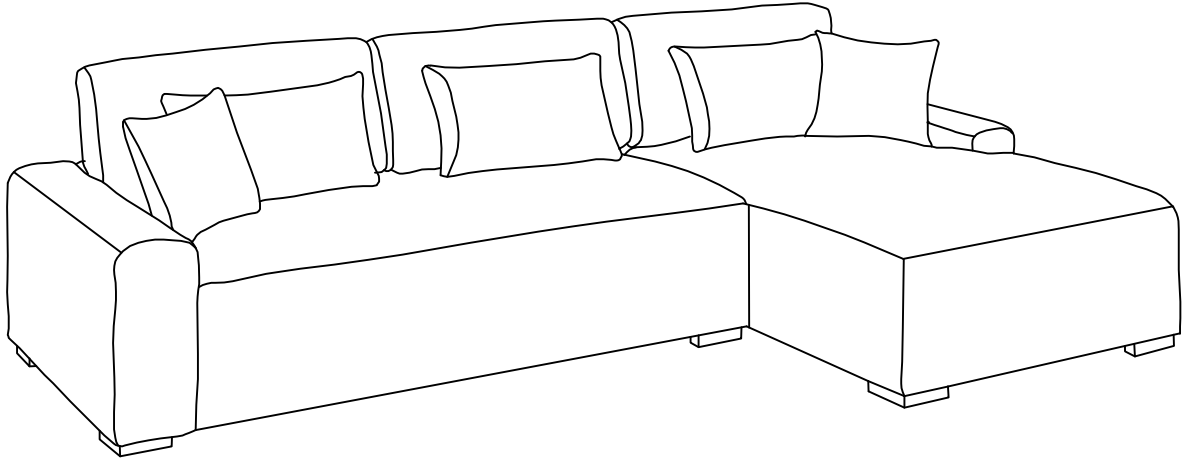
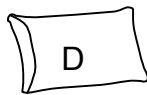
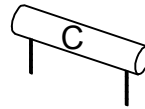
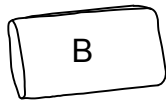
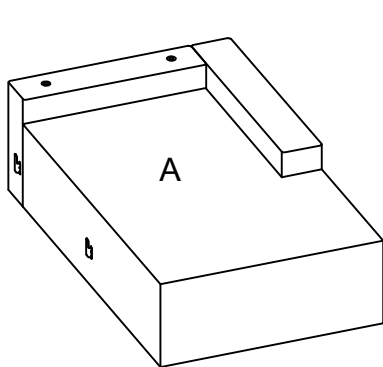






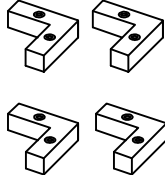

ASSEMBLY INSTRUCTIONS

ITEM NO:F8455 / F8456

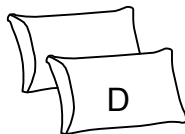
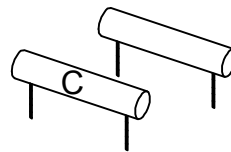
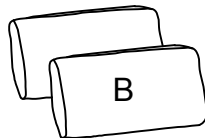
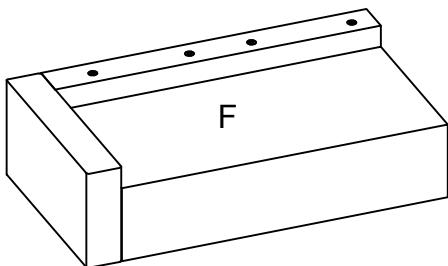






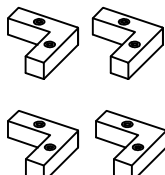

BOX-1 : F8455-1 / F8456-1



	
X8	X8
1: Ø5/16"X70mm	2: Ø5/16"X13mm
	
X8	X1
3: Ø5/16"X19mm	4:Ø5/16"X25*65mm
	
X4	X1
5 : LEGS	6 : Supporting leg

BOX-2 : F8455-2 / F8456-2



	
X8	X8
1: Ø5/16"X70mm	2: Ø5/16"X13mm
	
X8	X1
3: Ø5/16"X19mm	4:Ø5/16"X25*65mm
	
X4	X1
5 : LEGS	6 : Supporting leg

