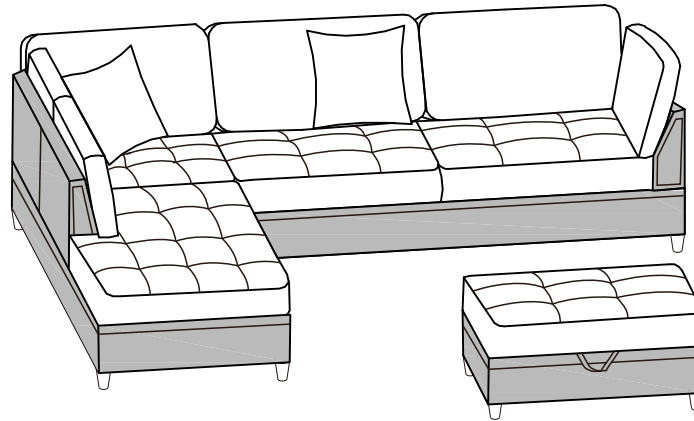


NOTICE BEFORE ASSEMBLY

Please choose the CHAISE to be on
the LEFT or RIGHT hand side

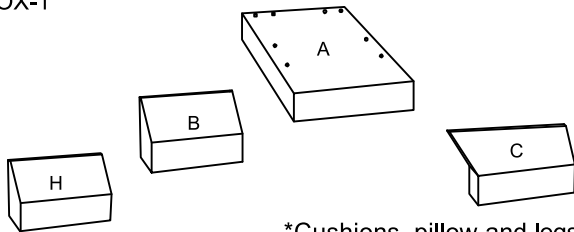
Assembly Instruction 1:CHAISE ON THE LEFT

ITEM NO.:F8852,F8853,F8854



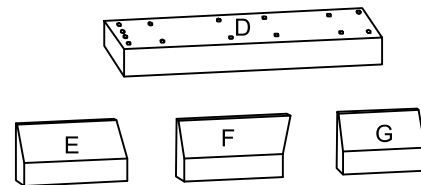
PARTS LIST

BOX-1



*Cushions, pillow and legs included

BOX-2



*Cushions, pillow and legs included


1  x12

2  x12

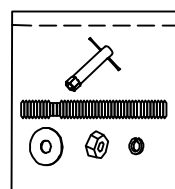
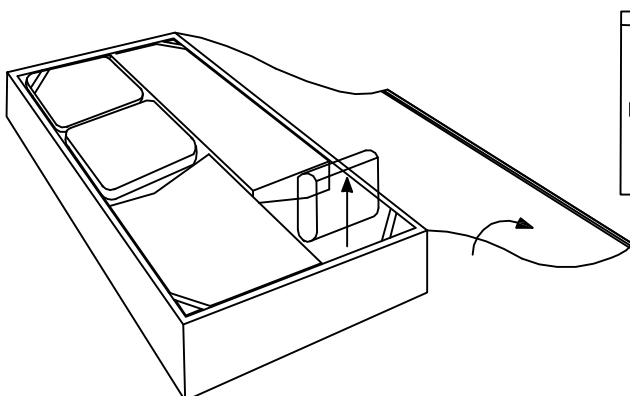
3  x12

4  x12

5  x2

6  x8

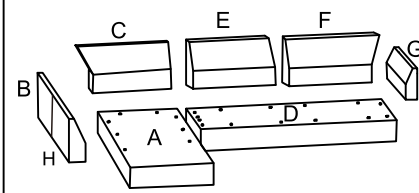
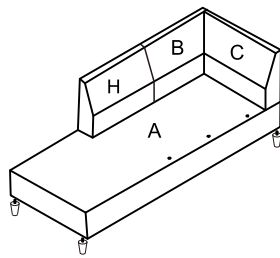
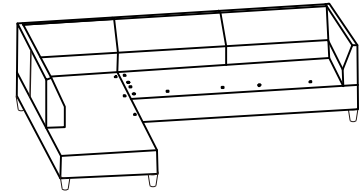
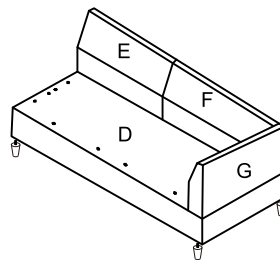
BEFORE ASSEMBLY



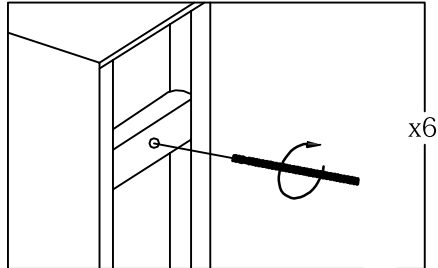
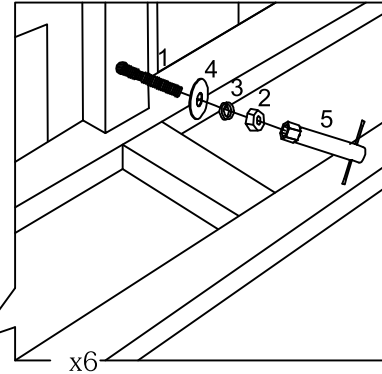
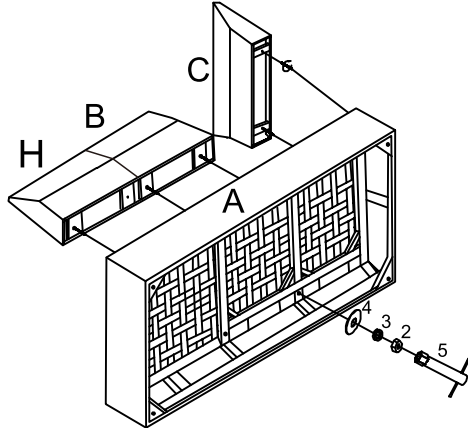
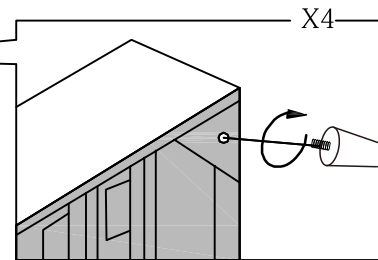
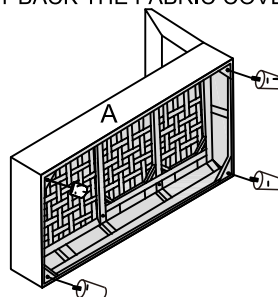
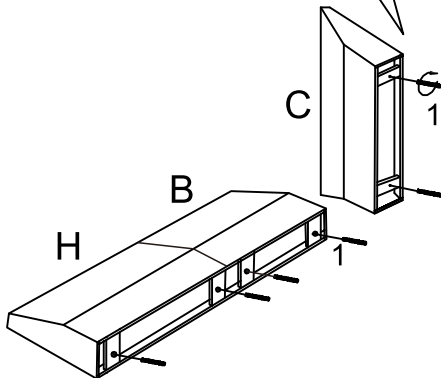
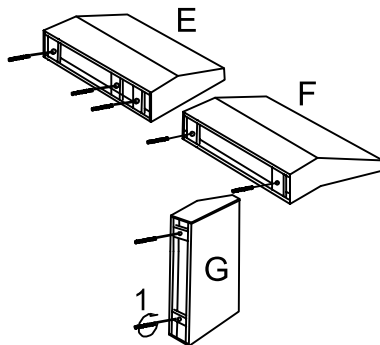
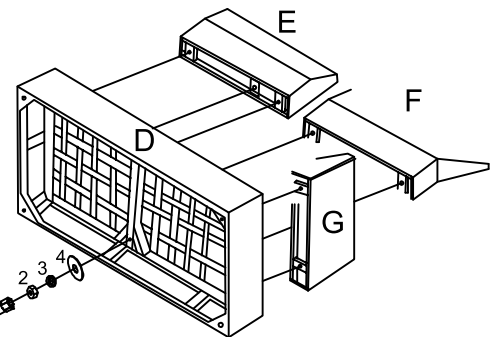
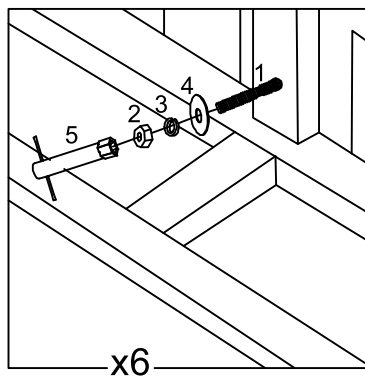
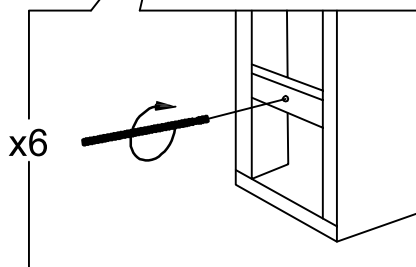
Open up the Velcro of Non-Woven Fabric cover on the bottom of the seat frame to remove seat cushions, back cushions and pillow.



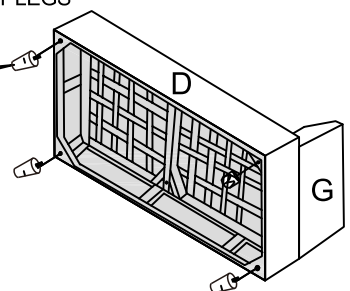
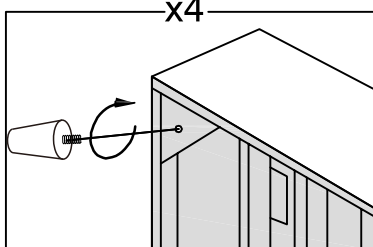
PLEASE REMOVE ALL PARTS FROM SEAT FRAMES AND BACKS BEFORE ASSEMBLY

CHAISE ON THE LEFT**CHAISE - BOX 1****SOFA - BOX 2****CHAISE ASSEMBLY INSTRUCTION-BOX 1****STEP 1 - INSERT THREADED RODS INTO SEAT BACKS**

*Stop when the rod starts coming out on the other end

**STEP 2 - MOUNTED SEAT BACKS INTO THE SEAT FRAME****STEP 3 - PUT BACK THE FABRIC COVER AND INSERT LEGS****SOFA ASSEMBLY INSTRUCTION-BOX 2****STEP 1 - INSERT THREADED ROD INTO SEAT BACKS****STEP 2 - MOUNT SEAT BACKS INTO THE SEAT FRAME****STEP 3 - PUT BACK THE FABRIC COVER AND INSERT LEGS**

*Stop when the rod starts coming out on the other end

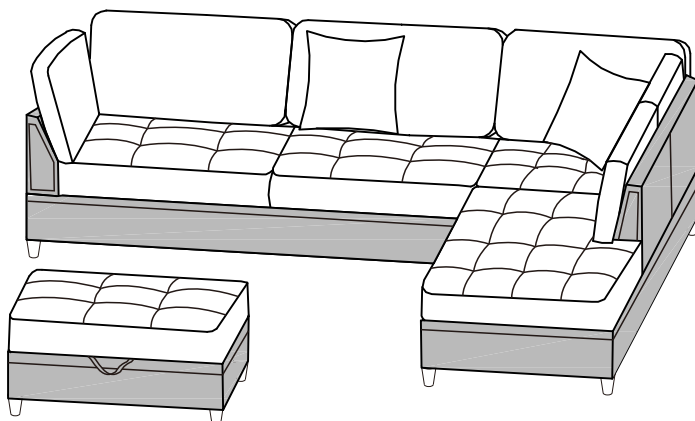


NOTICE BEFORE ASSEMBLY

Please choose the CHAISE to be on
the LEFT or RIGHT hand side

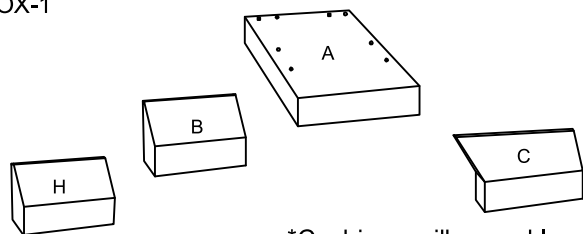
Assembly Instruction II:CHAISE ON THE RIGHT

ITEM NO.:F8852,F8853,F8854



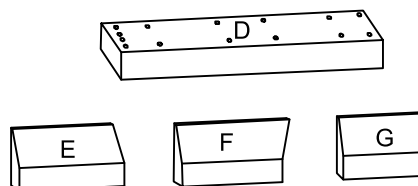
PARTS LIST

BOX-1

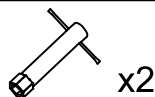
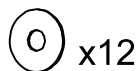
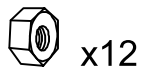


*Cushions, pillow and legs included

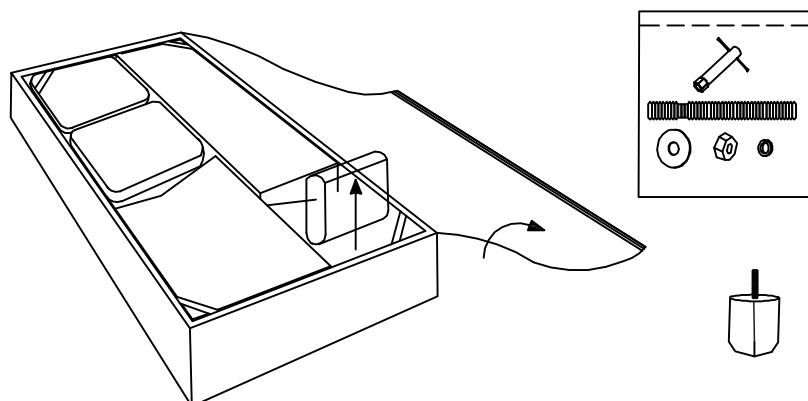
BOX-2



*Cushions, pillow and legs included



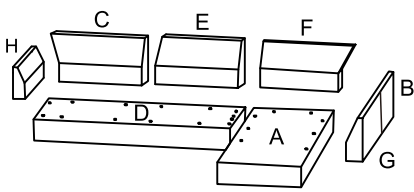
BEFORE ASSEMBLY



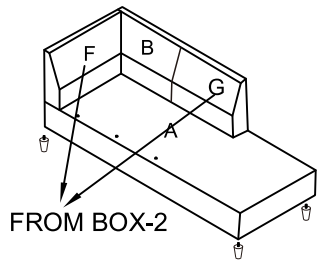
Open up the Velcro of Non-Woven Fabric cover on the bottom of the seat frame to remove seat cushions, back cushions and pillow.

PLEASE REMOVE ALL PARTS FROM SEAT FRAMES AND BACKS BEFORE ASSEMBLY

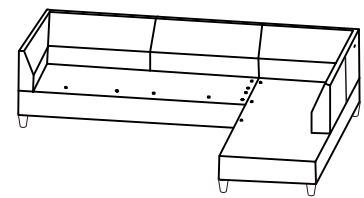
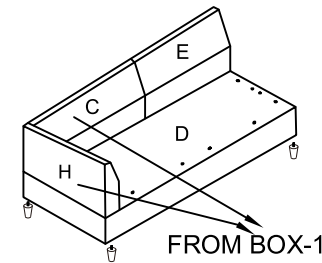
CHAISE ON THE LEFT



CHAISE - BOX 1



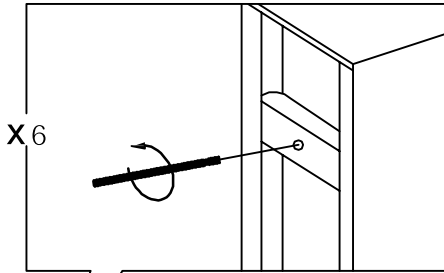
SOFA - BOX 2



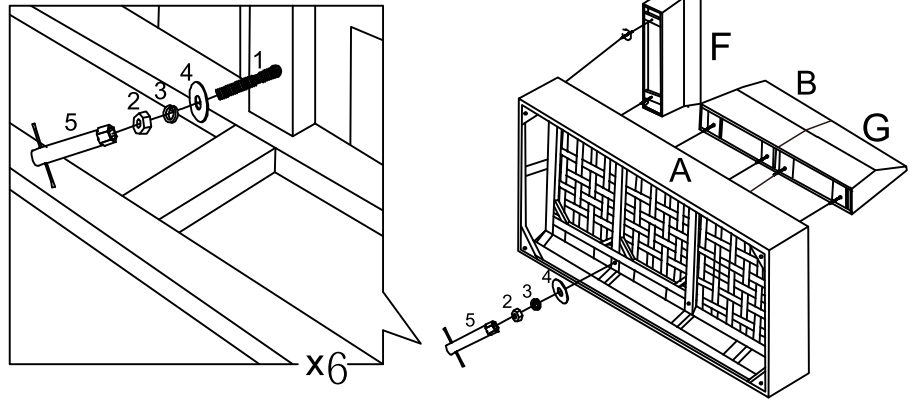
CHAISE ASSEMBLY INSTRUCTION-BOX 1

STEP 1- INSERT THREADED RODS INTO SEAT BACKS

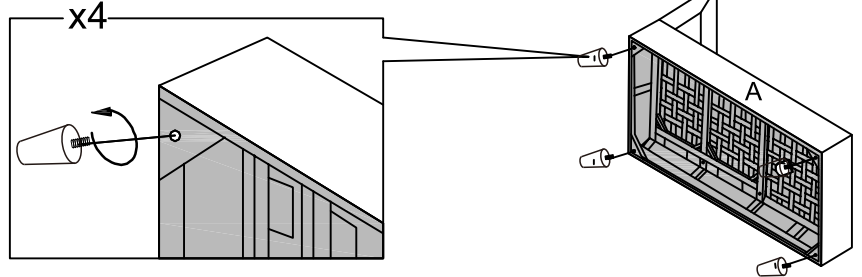
*Stop when the rod starts coming out on the other end



STEP 2- MOUNTED SEAT BACKS INTO THE SEAT FRAME

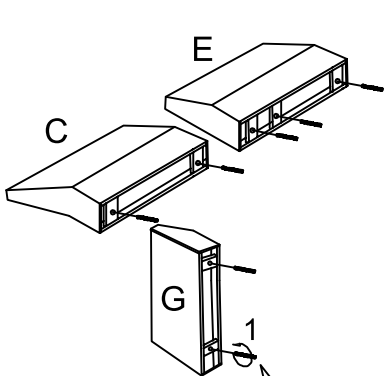


STEP 3- PUT BACK THE FABRIC COVER AND INSERT LEGS

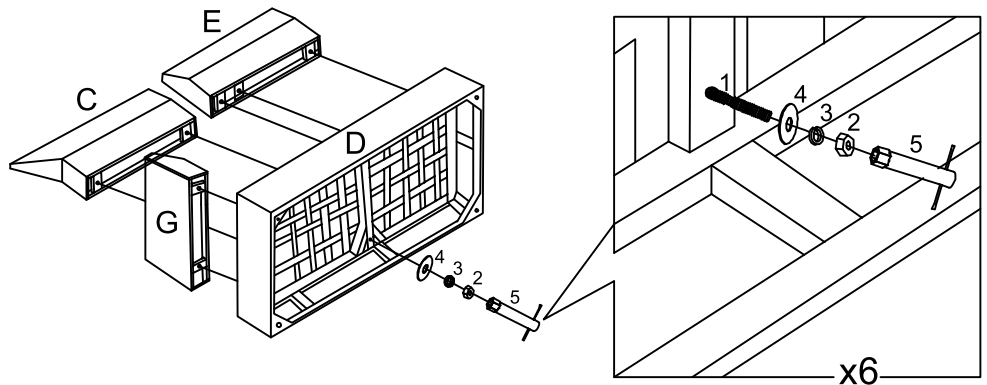


SOFA ASSEMBLY INSTRUCTION-BOX 2

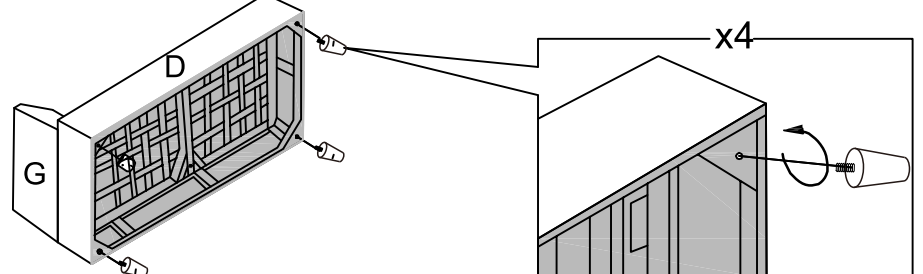
STEP 1- INSERT THREADED ROD INTO SEAT BACKS



STEP 2- MOUNT SEAT BACKS INTO THE SEAT FRAME



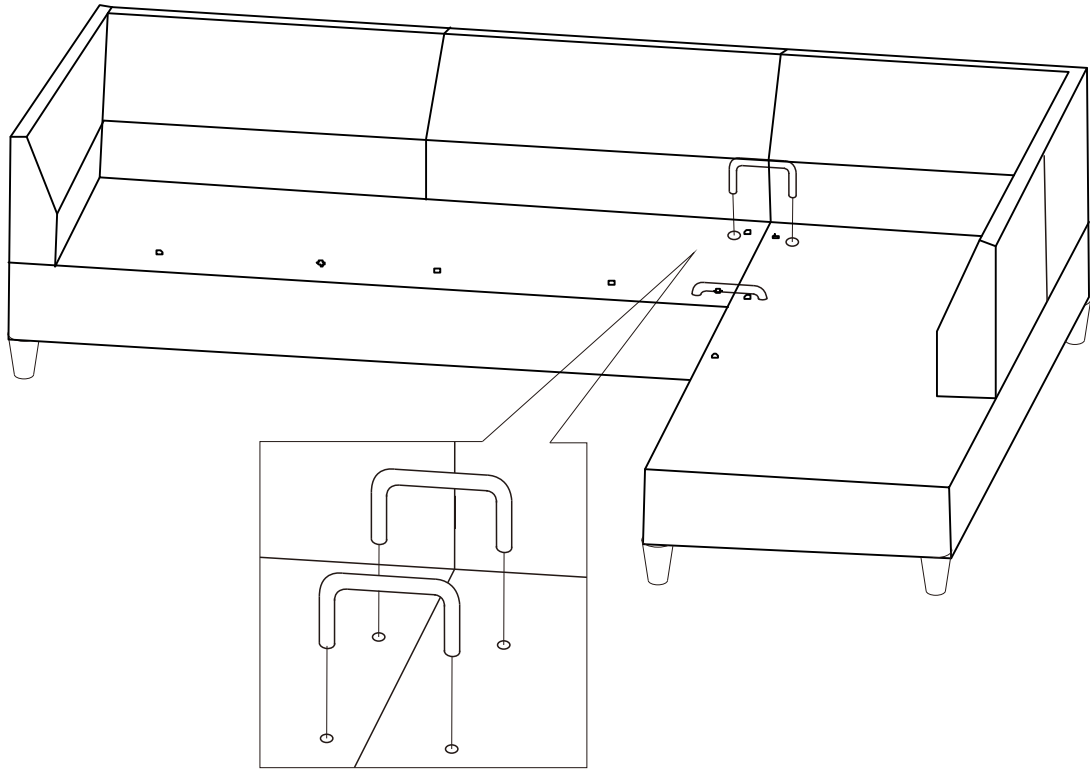
STEP 3- PUT BACK THE FABRIC COVER AND INSERT LEGS



*Stop when the rod starts coming out on the other end

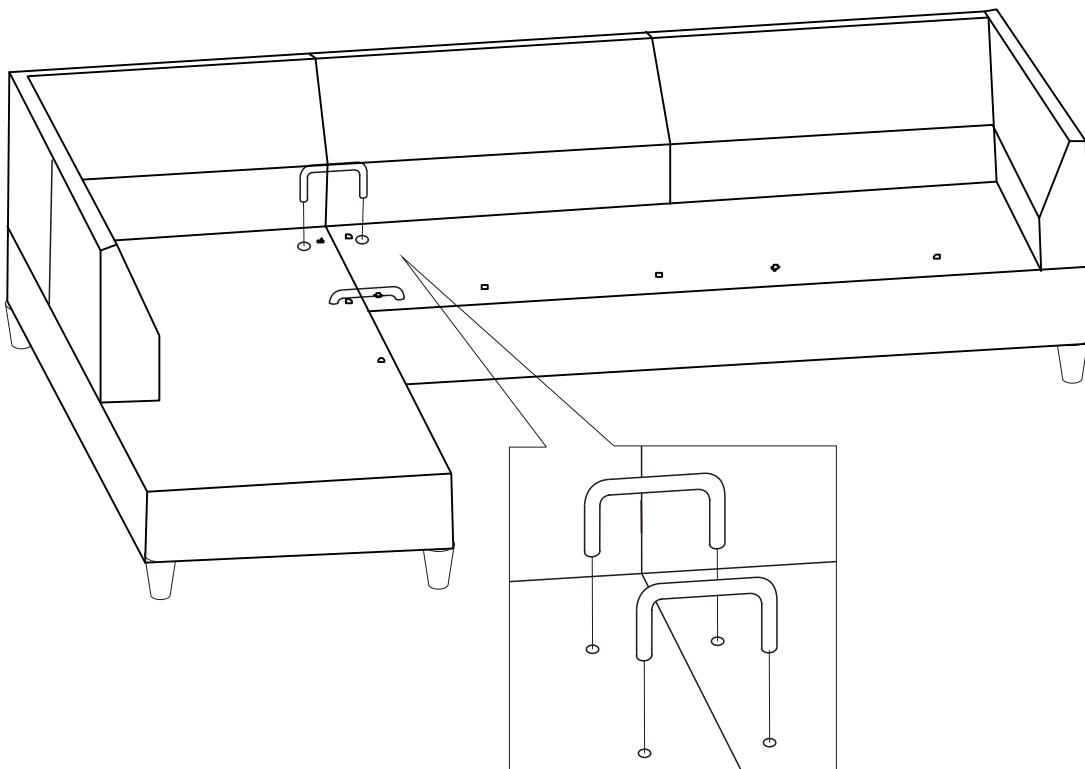
OPTIONAL: CHAISE + SOFA(SECTIONAL)

STEP1-INSERT THE "N" SHAPE HANGER INTO THE ONE-ARM CHASE FRAME AND ONE-ARM SOFA FRAME TO ATTACH TOGETHER



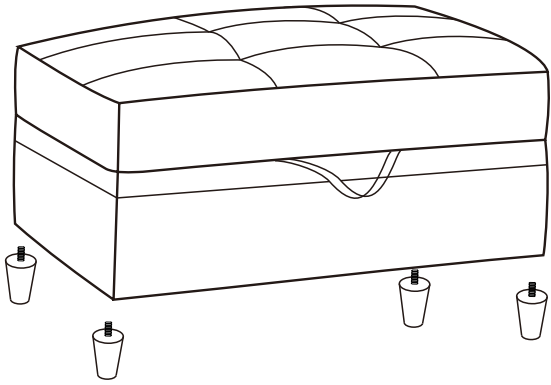
CHAISE + SOFA(SECTIONAL)

STEP1-INSERT THE "N" SHAPE HANGER INTO THE ONE-ARM CHASE FRAME AND ONE-ARM SOFA FRAME TO ATTACH TOGETHER

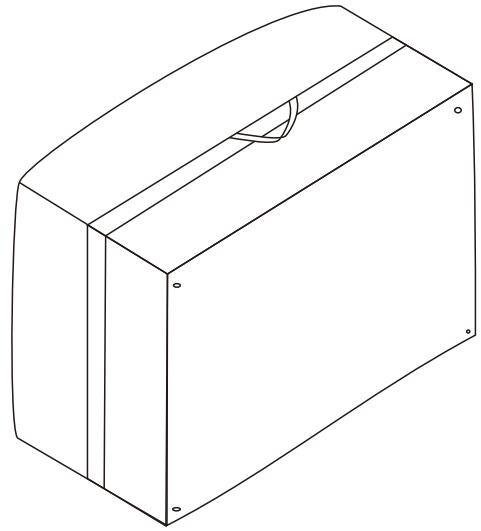


Assembly Instructions

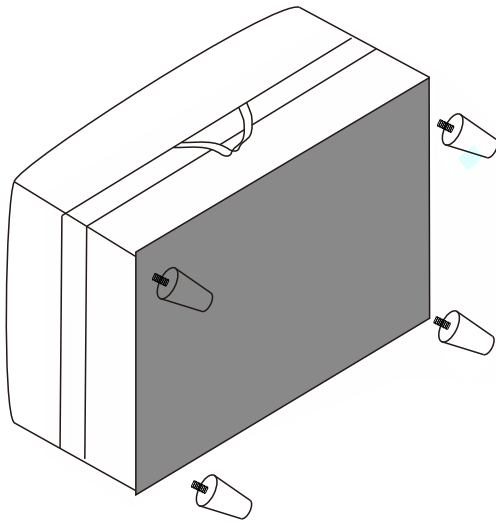
ITEM NO.:F8852,F8853,F8854



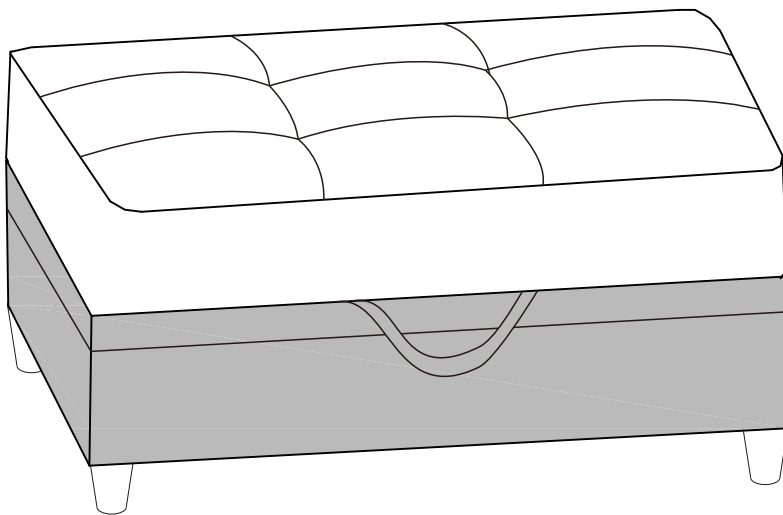
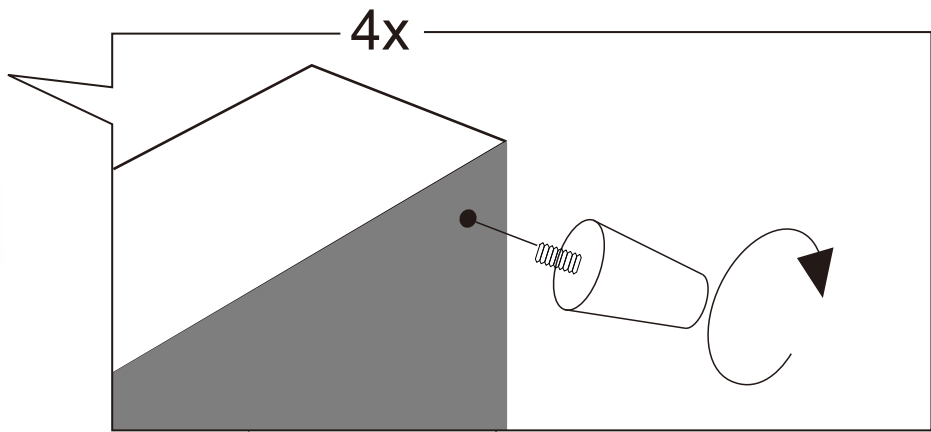
1



2



3



4