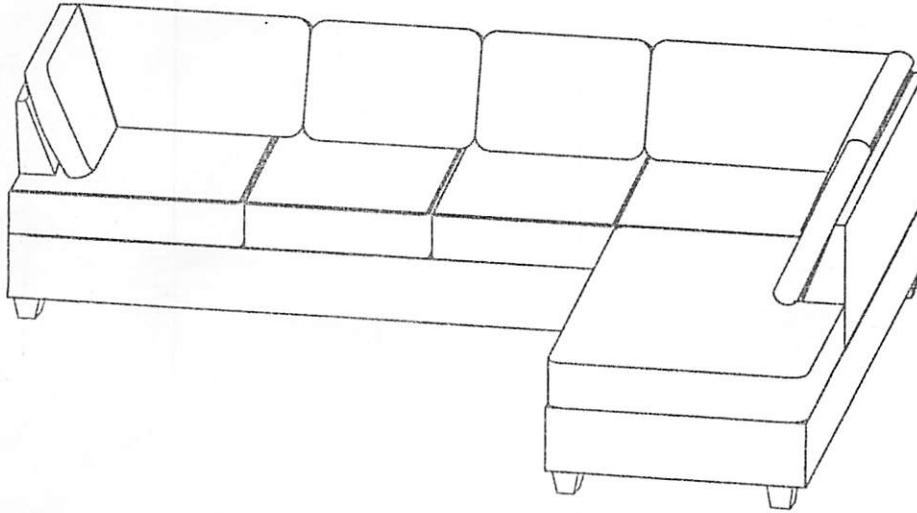


## \*\*\*NOTICE BEFORE ASSEMBLY\*\*\*

Please choose the CHAISE to be on the LEFT or RIGHT hand side

ASSEMBLY INSTRUCTION FOR MODEL NO. : F7139, F7140

**CHAISE ON THE RIGHT**

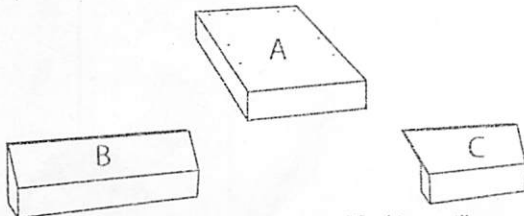


Before assembly, open both Box 1 and Box 2 to switch between Part C and Part F. And you will get the direction of right chaise.

Control No.  
V-7

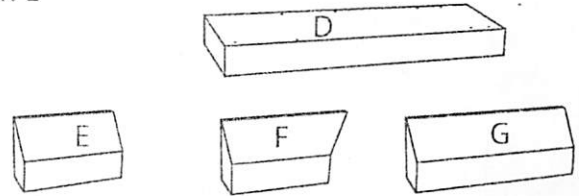
### PARTS LIST

BOX-1

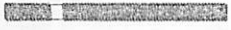



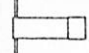


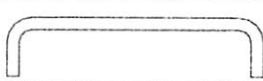
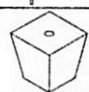


\*Cushions, pillows and legs included

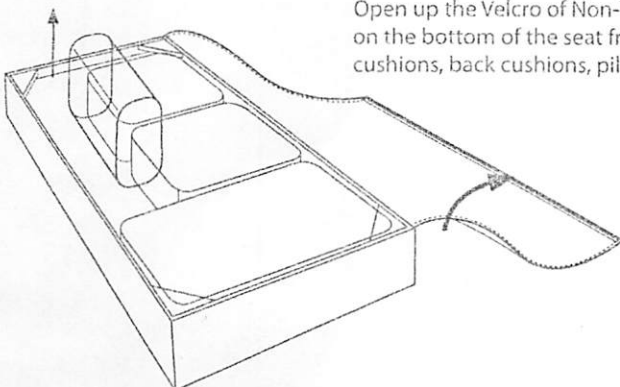
BOX-2



\*Cushions, pillows and legs included

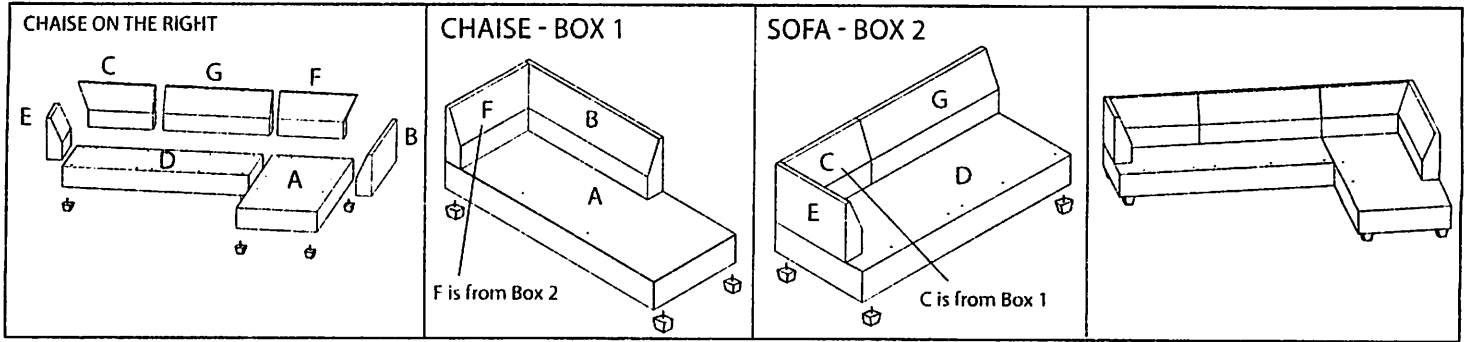
- |  |  |  |  |   |
|--|--|--|--|---|
| 1.  x12 | 2.  x12 | 3.  x20 | 4.  x20 | 5.  x2 |
| 6.  x8  | 7.  x2  | 8.  x2 | 9.  x8  |   |

### BEFORE ASSEMBLY

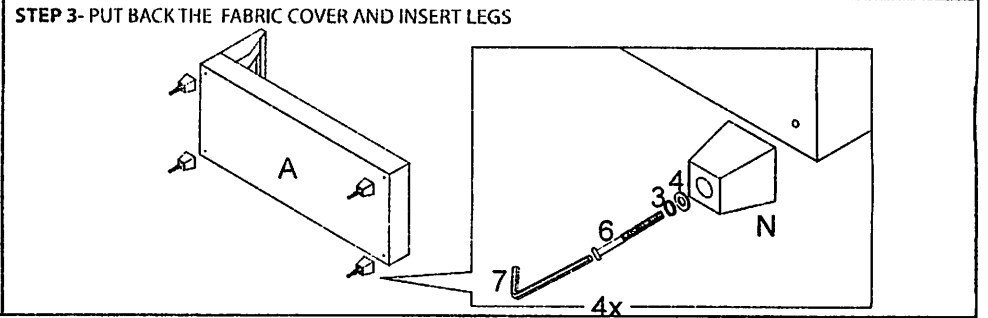
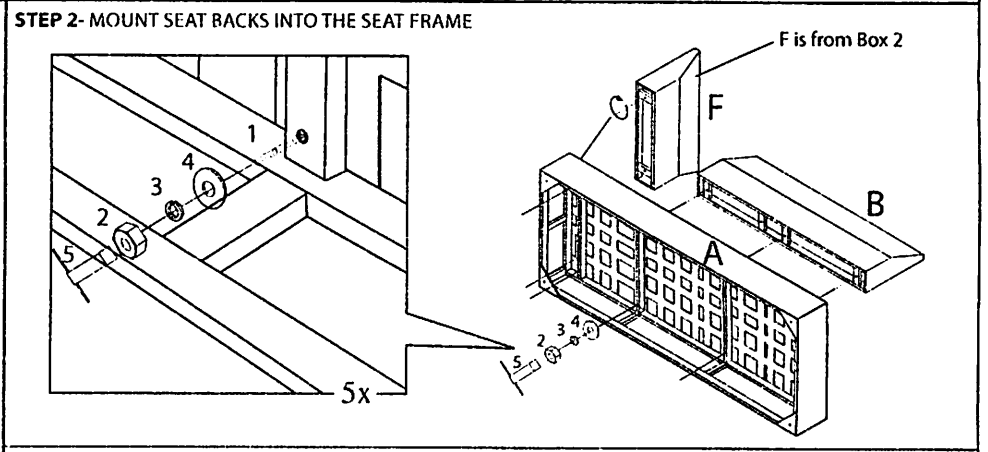
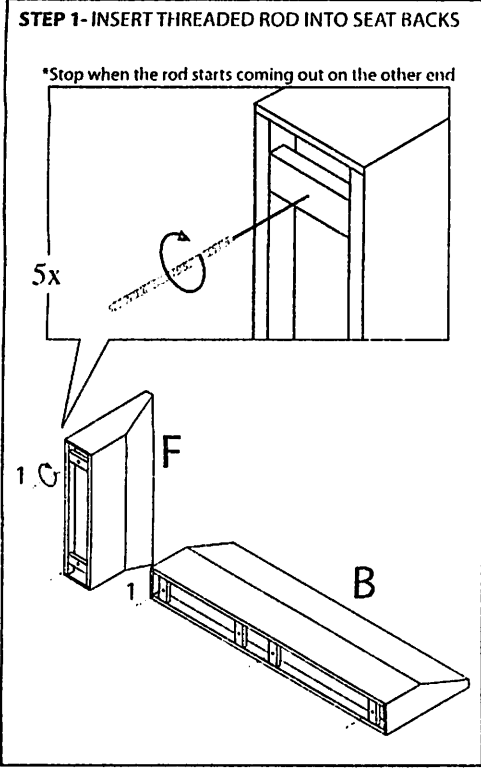


Open up the Velcro of Non-Woven Fabric cover on the bottom of the seat frame to remove seat cushions, back cushions, pillows and hardware.

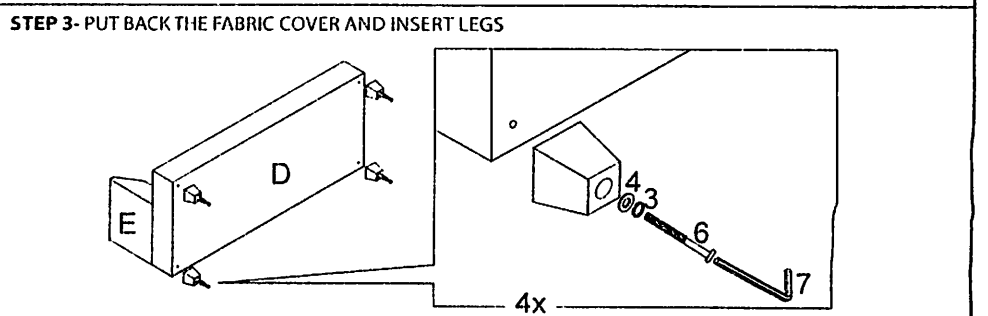
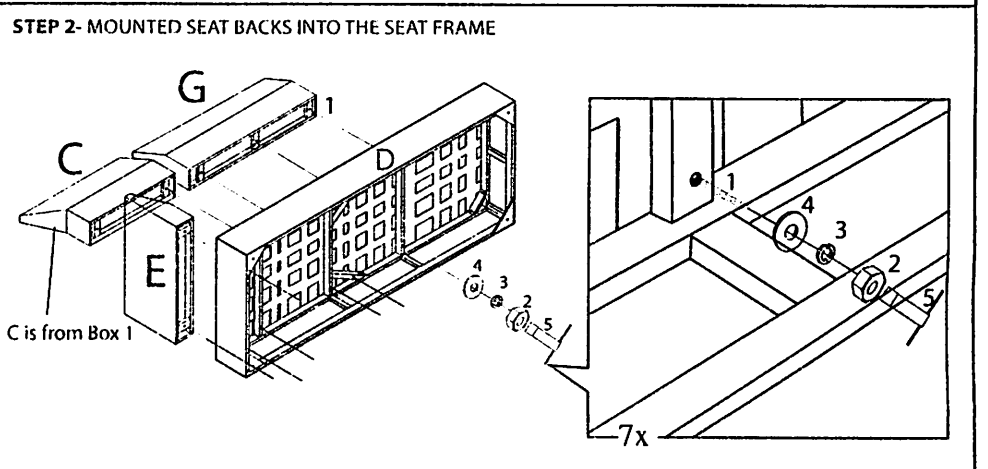
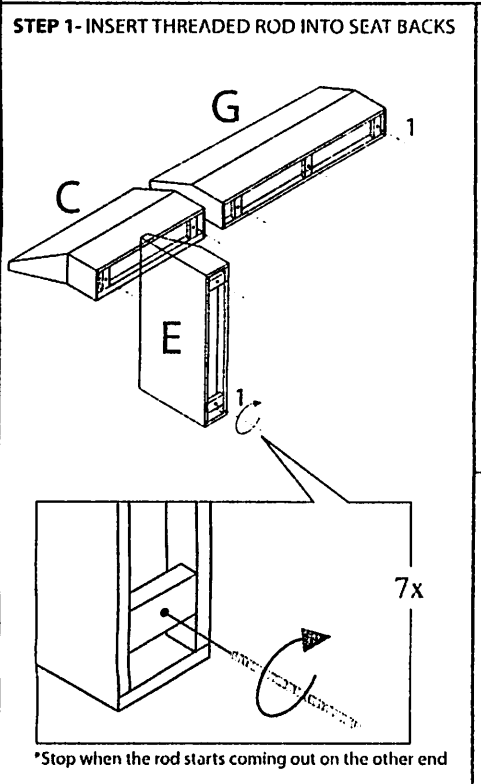
\*\*\*PLEASE REMOVE ALL PARTS FROM SEAT FRAMES BEFORE ASSEMBLY\*\*\*



**CHAISE ASSEMBLY INSTRUCTION-BOX 1**



**SOFA ASSEMBLY INSTRUCTION-BOX 2**

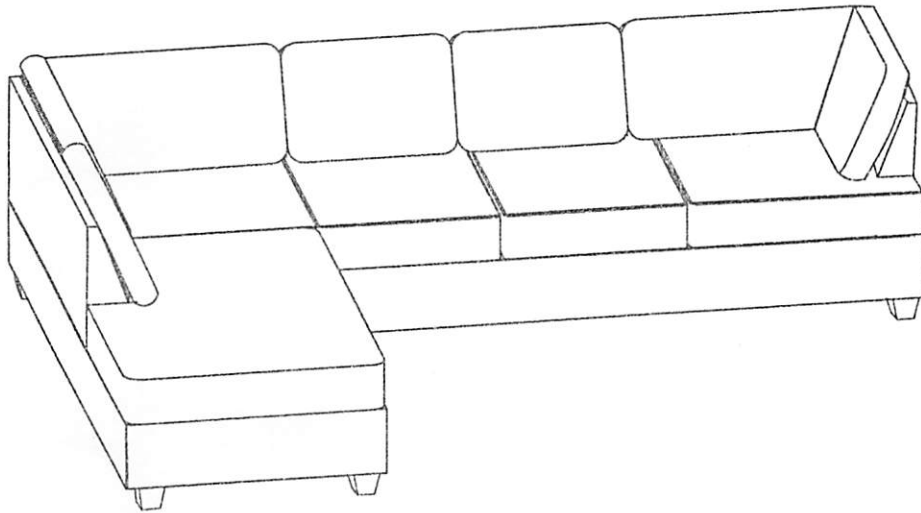


## \*\*\*NOTICE BEFORE ASSEMBLY\*\*\*

Please choose the **CHAISE** to be on the **LEFT** or **RIGHT** hand side

ASSEMBLY INSTRUCTION FOR MODEL NO. : F7139, F7140

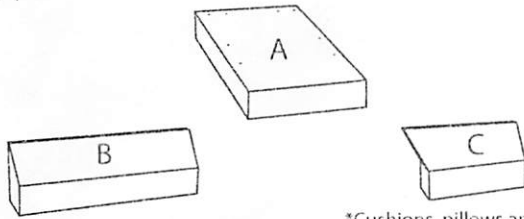
**CHAISE ON THE LEFT**



Control No.  
V-7

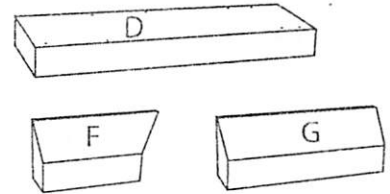
### PARTS LIST

BOX-1

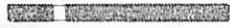



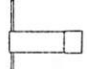


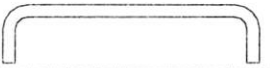



\*Cushions, pillows and legs included

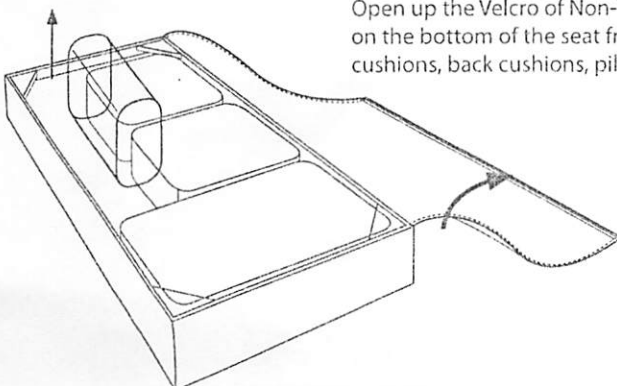
BOX-2



\*Cushions, pillows and legs included

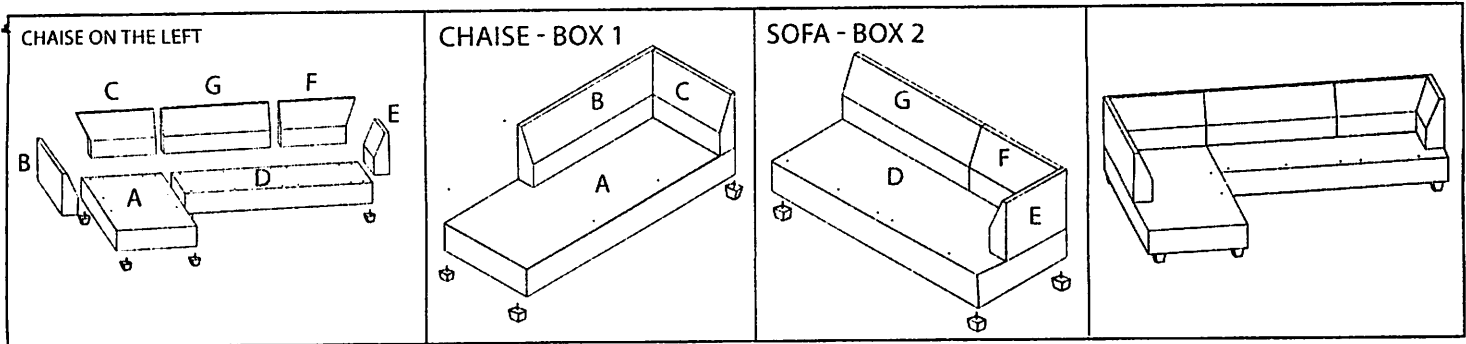
1.  x12	2.  x12	3.  x20	4.  x20	5.  x2
6.  x8	7.  x2	8.  x2	9.  x8	

### BEFORE ASSEMBLY



Open up the Velcro of Non-Woven Fabric cover on the bottom of the seat frame to remove seat cushions, back cushions, pillows and hardware.

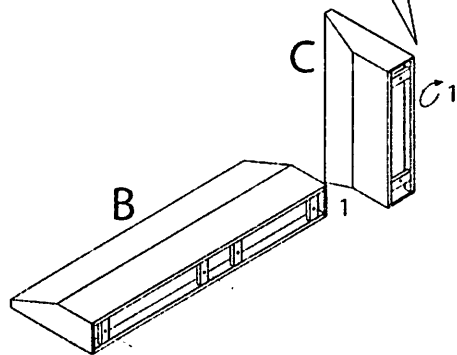
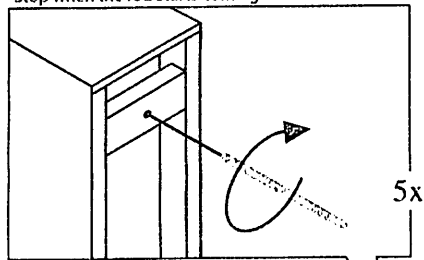
\*\*\*PLEASE REMOVE ALL PARTS FROM SEAT FRAMES BEFORE ASSEMBLY\*\*\*



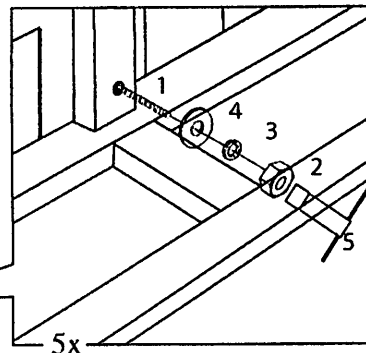
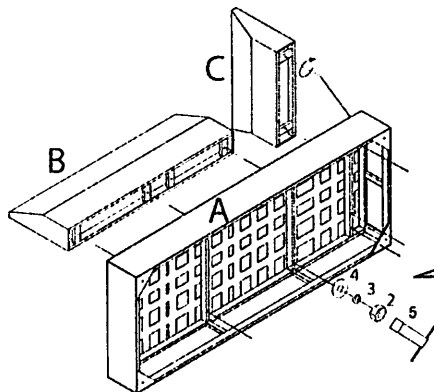
**CHAISE ASSEMBLY INSTRUCTION-BOX 1**

**STEP 1- INSERT THREADED ROD INTO SEAT BACKS**

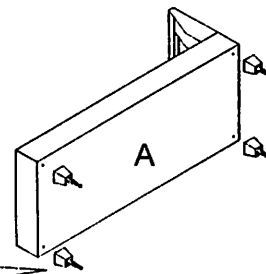
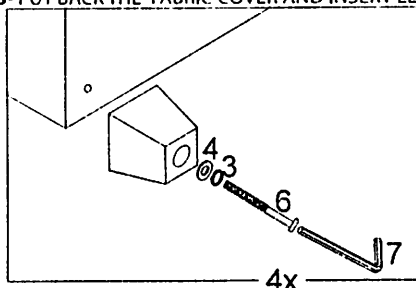
\*Stop when the rod starts coming out on the other end



**STEP 2- MOUNTED SEAT BACKS INTO THE SEAT FRAME**

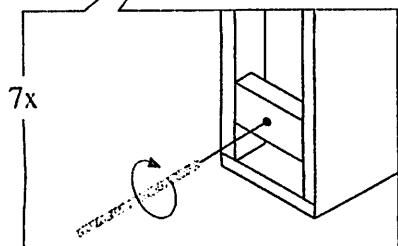
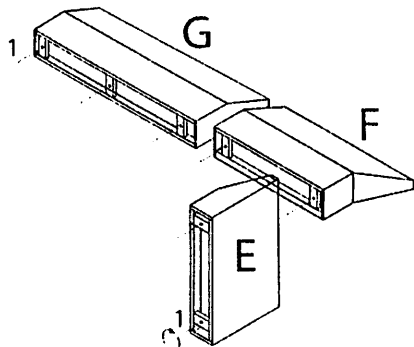


**STEP 3- PUT BACK THE FABRIC COVER AND INSERT LEGS**



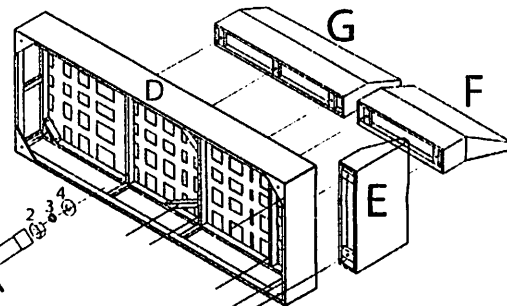
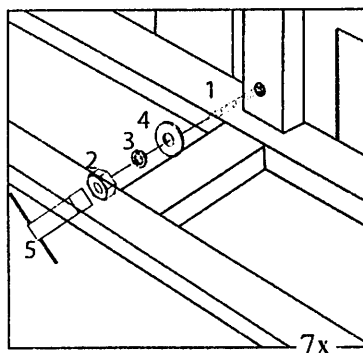
**SOFA ASSEMBLY INSTRUCTION-BOX 2**

**STEP 1- INSERT THREADED ROD INTO SEAT BACKS**

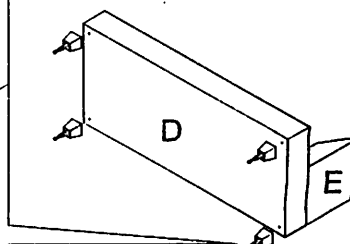
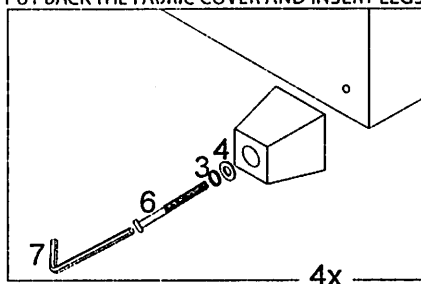


\*Stop when the rod starts coming out on the other end

**STEP 2- MOUNT SEAT BACKS INTO THE SEAT FRAME**



**STEP 3- PUT BACK THE FABRIC COVER AND INSERT LEGS**



**INSERT THE "n" SHAPE HANGER INTO THE SEAT FRAME TO ATTACH THE SECTIONAL TOGETHER.**

