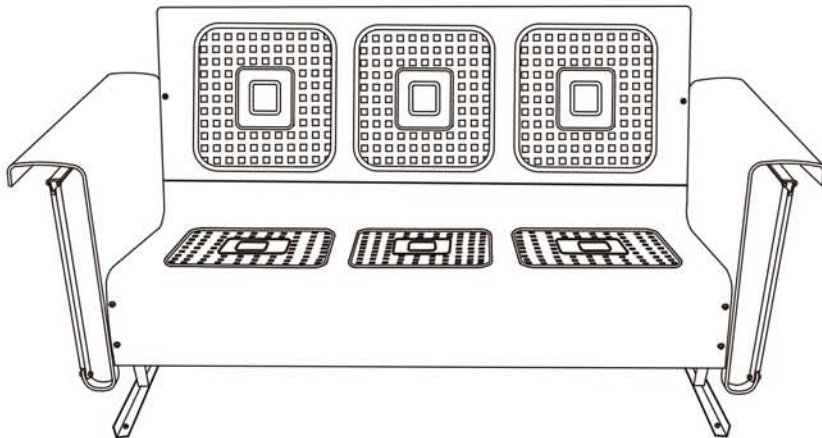


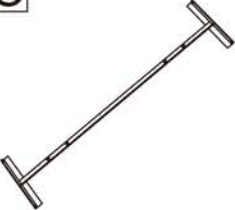


















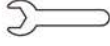

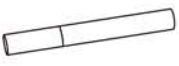
Sofa Glider  
CO1023



# PART LIST

|   |   |   |  |   |
|---|---|---|--|---|
| <b>A</b><br> | <b>B</b><br> | <b>C</b><br> | <b>D</b><br> | <b>E</b><br> |
| Left Glider Leg<br>1 PC   | Right Glider Leg<br>1 PC  | Glider Leg Support<br>1 PC  | Support<br>2 PCS   | Connecting Wire<br>2 PCS  |
| <b>F</b><br> | <b>G</b><br> | <b>H</b><br> | <b>I</b><br> |   |
| Left Arm<br>1 PC  | Right Arm<br>1 PC   | Back Panel<br>1 PC  | Seat Panel<br>1 PC   |   |

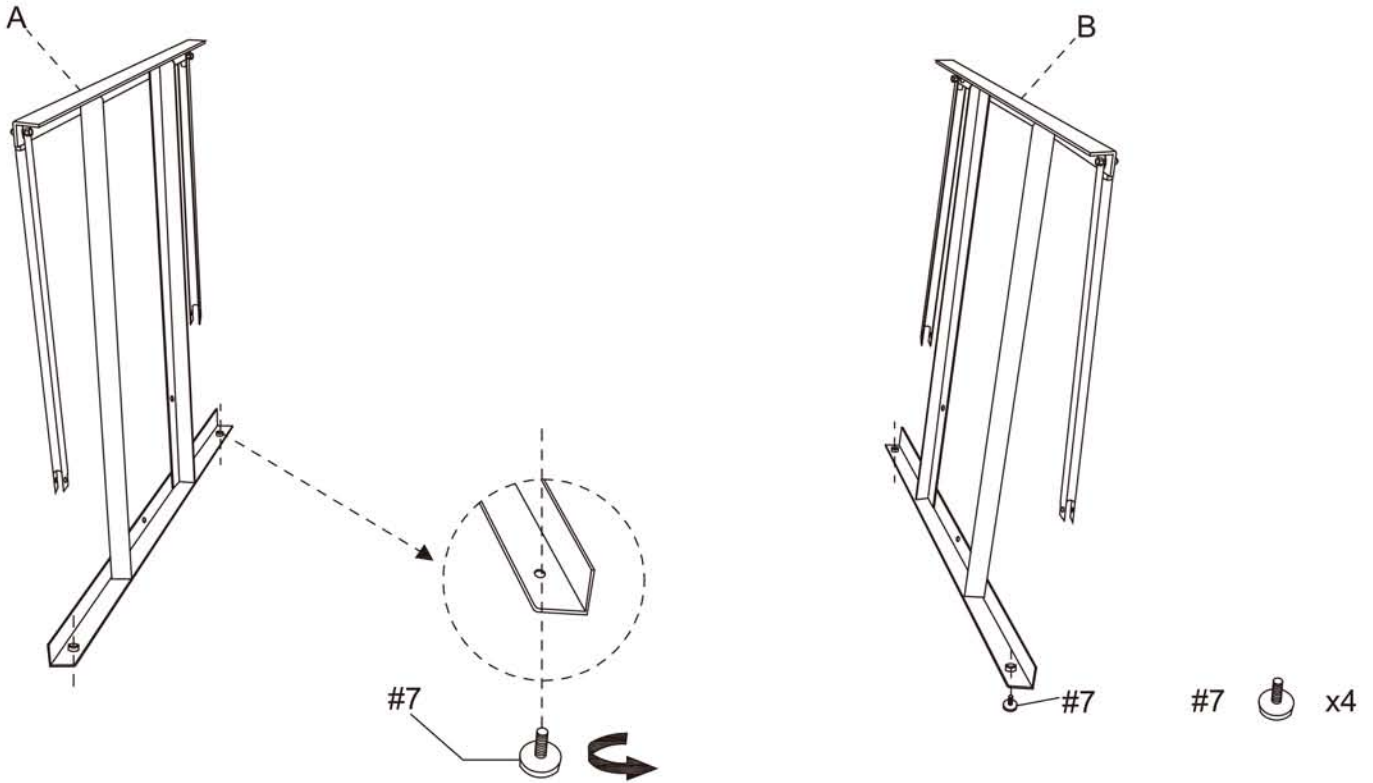
# HARDWARE LIST

|   |  |  |   |   |
|---|--|--|---|---|
| <b>#1</b><br>  | <b>#2</b><br> | <b>#3</b><br> | <b>#4</b><br> | <b>#5</b><br>  |
| M6x25mm<br>Long Bolt<br>13 PCS (Extra 3)  | M6x20mm<br>Medium Bolt<br>3 PCS (Extra 1)  | M6x16mm<br>Short Bolt<br>18 PCS (Extra 3)  | Self-locking Nut<br>40 PCS(Extra 3)   | Metal Washer<br>71 PCS(Extra 3)   |
| <b>#6</b><br>  | <b>#7</b><br> | <b>#8</b><br> | <b>#9</b><br> | <b>#10</b><br> |
| Plastic Washer<br>10 PCS (Extra 2)  | Adjustable Leveler<br>5 PCS (Extra 1)  | Connecting screws<br>8 PCS (Extra 2)   | Wrench<br>2 PCS   | Allen Key<br>1 PC   |
| <b>#11</b><br> |  |  |   |   |
| Touch Up Paint<br>1 PC  |  |  |   |   |

### IMPORTANT NOTE Section:

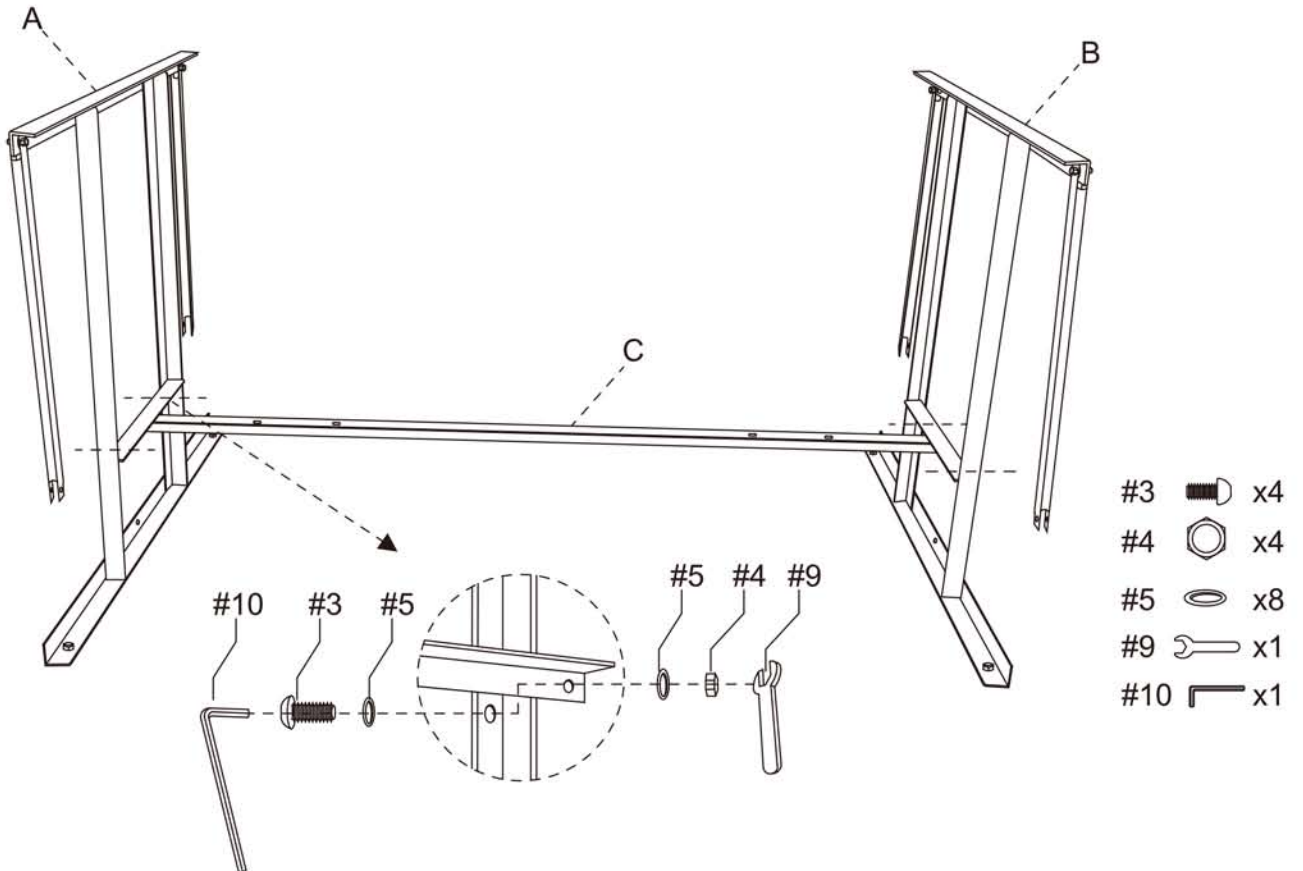
1. The Touch Up Paint (part #11) is only for small scratches and dents.
2. We recommend using at least two people to assemble this glider.

Step 1. Screw the adjustable levelers (part #7) into the pre-drilled holes on the bottom of the glider legs (part A & B).



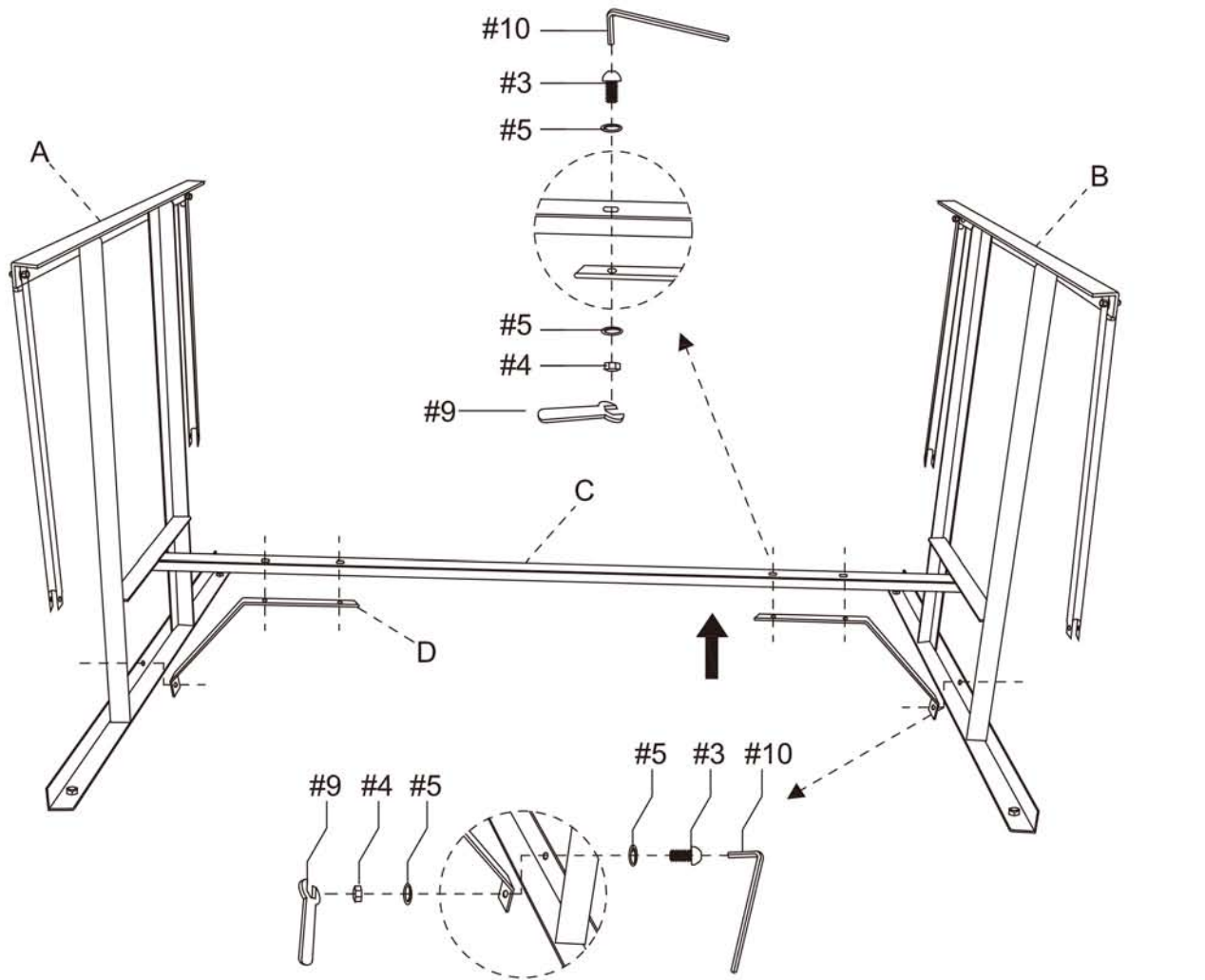
Step 2. Attach glider leg support (part C) to the left glider leg (part A) and the right glider leg (part B) using short bolts (part #3), metal washers (part #5), self-locking nuts (part #4), wrench (part #9) and allen key (part #10).






NOTE: Please do not fully tighten bolts until unit is fully assembled.



Step 3. Attach support ( part D ) to the glider leg support ( part C ) using short bolts ( part #3),metal washers ( part #5), self-locking nuts ( part #4), wrench ( part #9) and allen key ( part #10).

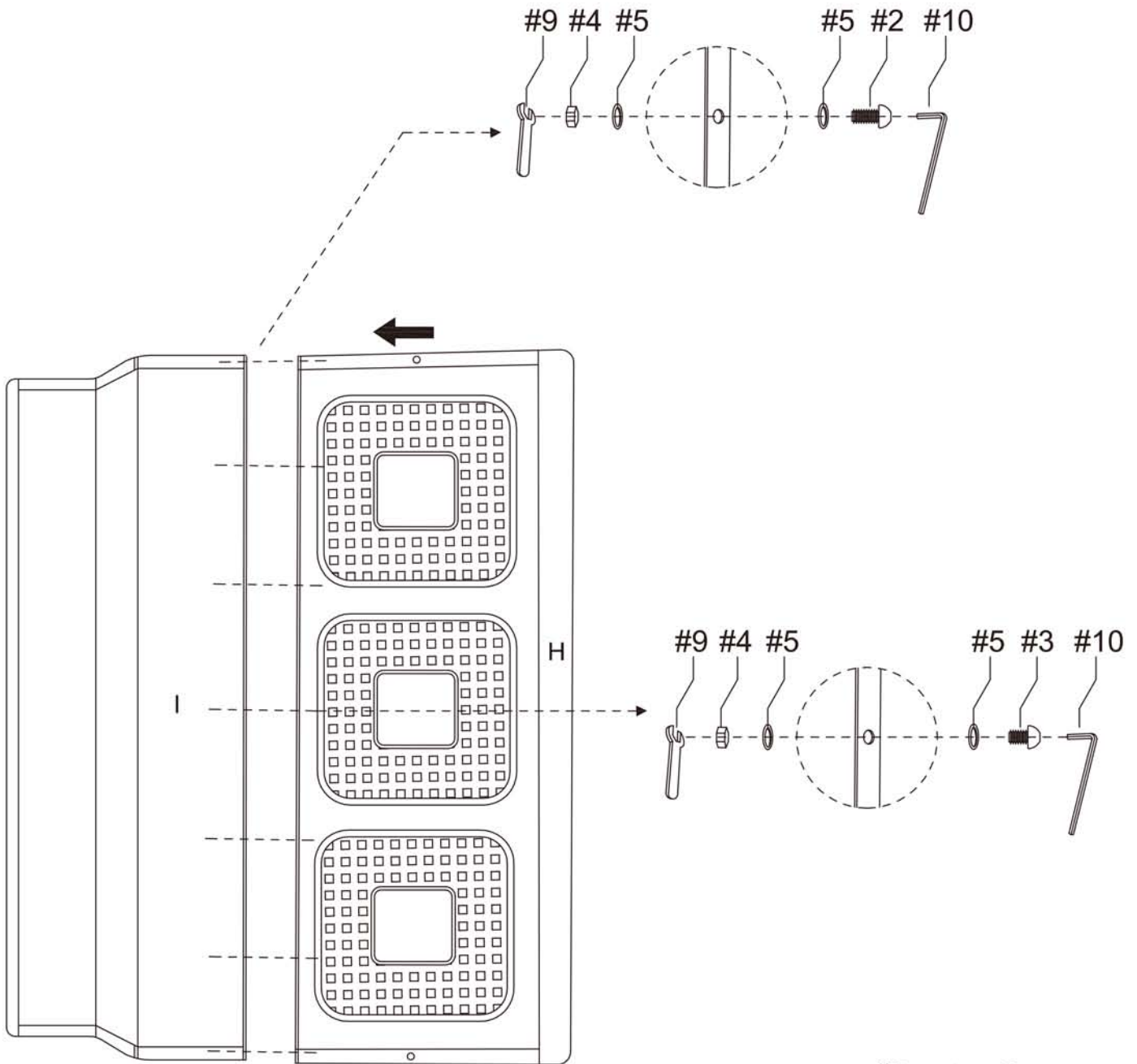
NOTE: Please do not fully tighten bolts until unit is fully assembled.






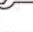


- #3  x6
- #4  x6
- #5  x12
- #9  x1
- #10  x1

Step 4. Attach back panel ( part H ) to seat panel ( part I ) using medium bolts ( part #2), short bolts ( part #3), metal washers ( part #5), self-locking nuts ( part #4), wrench ( part #9), and allen key ( part #10).

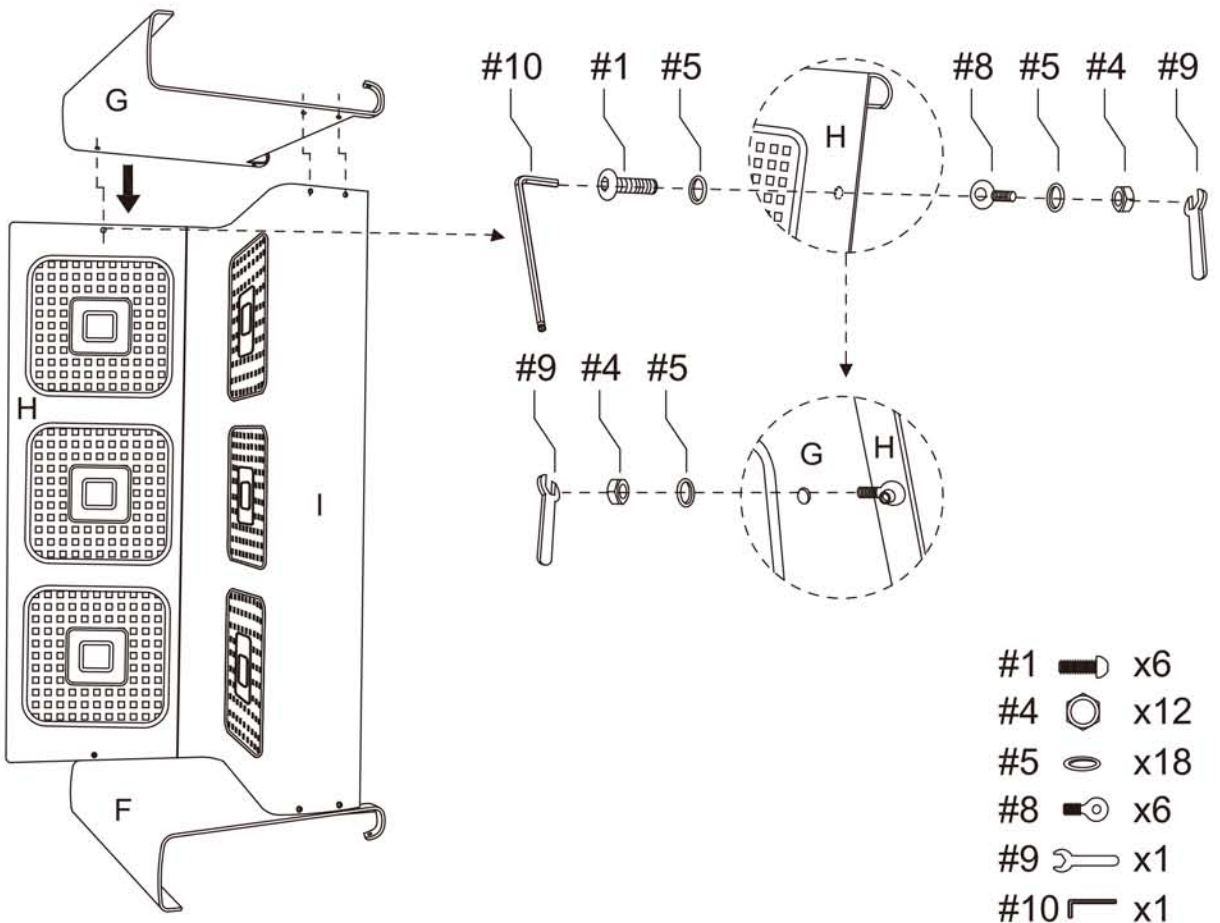
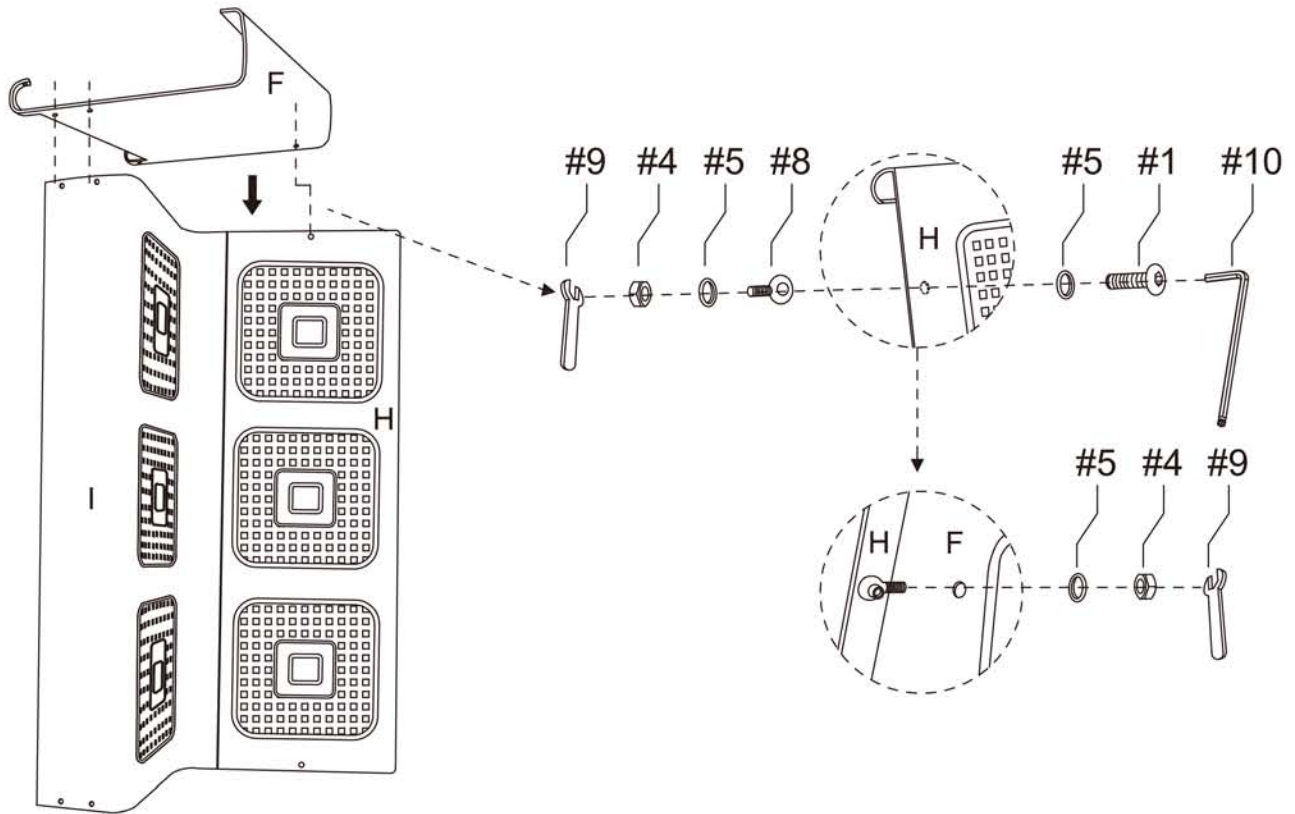
NOTE: Please do not fully tighten bolts until unit is fully assembled.









- #2  x2
- #3  x5
- #4  x7
- #5  x14
- #9  x1
- #10  x1

Step 5. Install the connecting screws (part #8) on the back of assembled parts ( part H&I) using long bolts (part #1), connecting screws (part #8), metal washers (part #5), self-locking nuts (part #4), wrench (part #9) and allen key (part #10) as shown in the first image insert. Make sure the connecting bolts are on the back of assembled parts ( part H&I) and sticking out as shown in the second image insert. Next, connect left arm (part F) and right arm (part G) to assembled parts ( part H&I) using the connecting bolts (already installed), metal washers (part #5), self-locking nuts (part #4) and wrench (part #9).

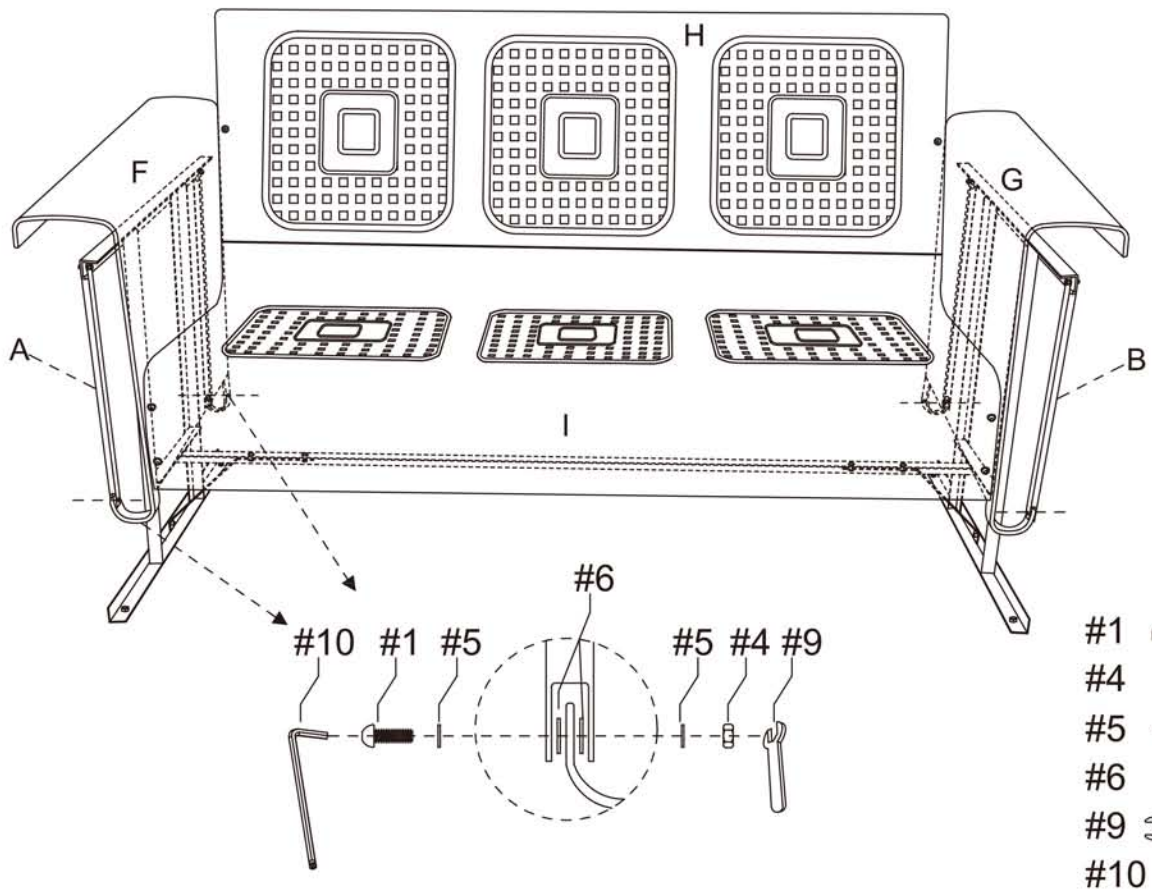
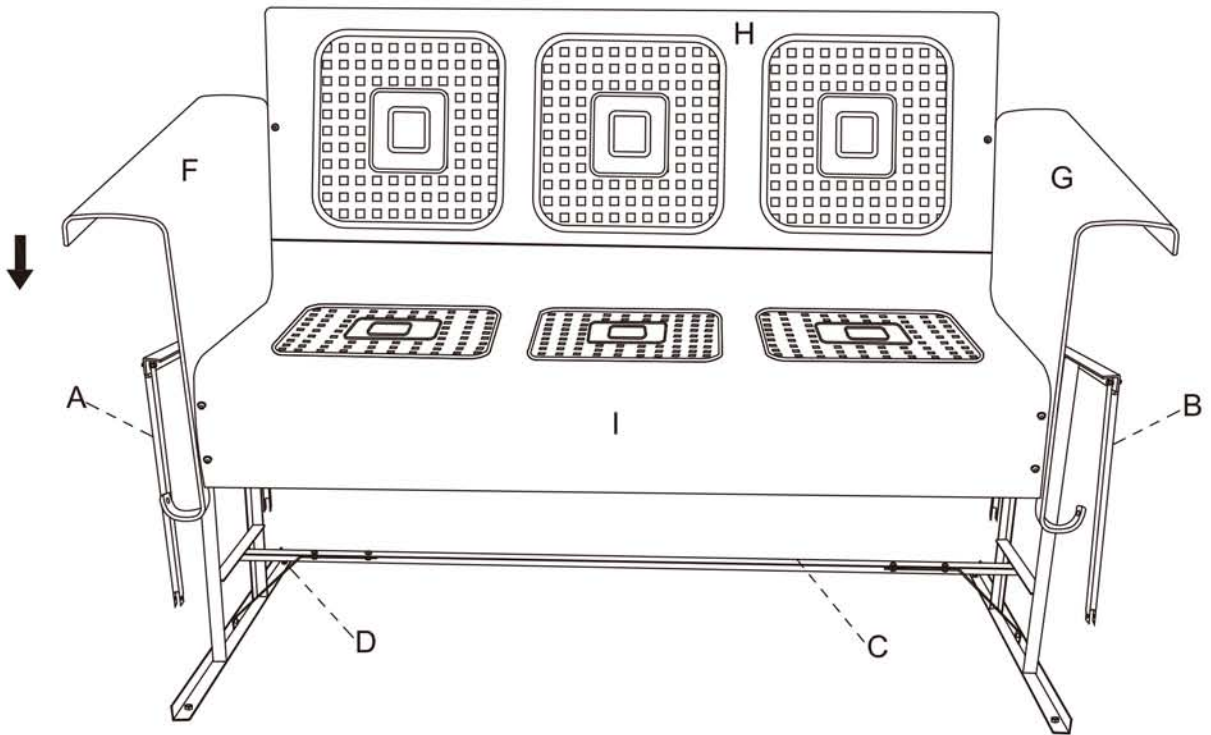
NOTE: Please do not fully tighten bolts until unit is fully assembled.



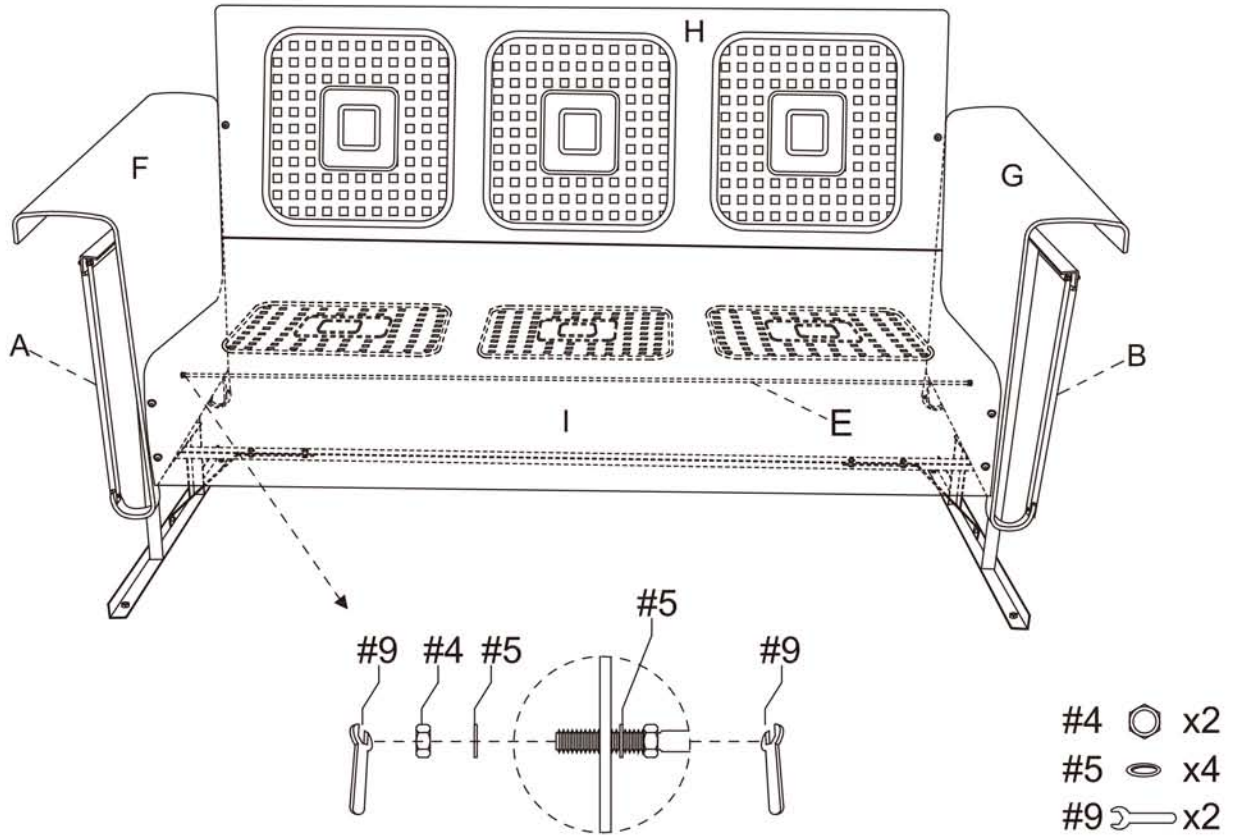
- #1  x6
- #4  x12
- #5  x18
- #8  x6
- #9  x1
- #10  x1

Step 6. Using at least two people, carefully lift assembled parts (part F,G,H&I) inside assembled parts (part A,B,C&D) and attach hooks on left arm (part #F) and right arm (part #G) to the swing arms on left glider leg (part A) and right glider leg (part B) using long bolts (part #1), metal washers (part #5), plastic washers (part #6), self-locking nuts (part #4), wrench (part #9) and allen key (part #10).

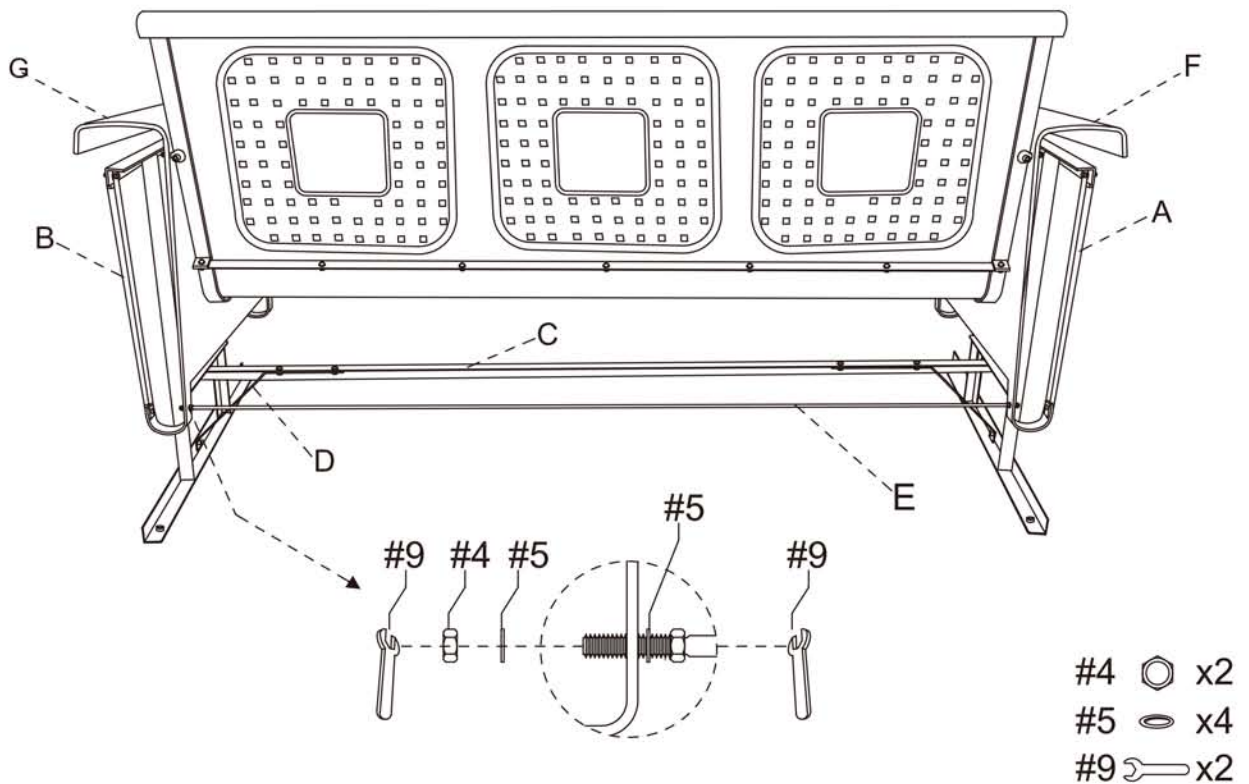
NOTE: Please fully tighten all bolts at this time.



Step 7. Attach connecting wire ( part E ) to left arm ( part F ) and right arm ( part G ) using metal washers ( part #5),self-locking nuts ( part #4) and wrench ( part #9).



Step 8. Attach connecting wire ( part E ) to left arm ( part F ) and right arm ( part G ) using metal washers ( part #5),self-locking nuts ( part #4) and wrench ( part #9).





Step 9. **IMPORTANT NOTE:** Please always use at least two people when moving this completed sofa glider, and be careful of the moving parts.

