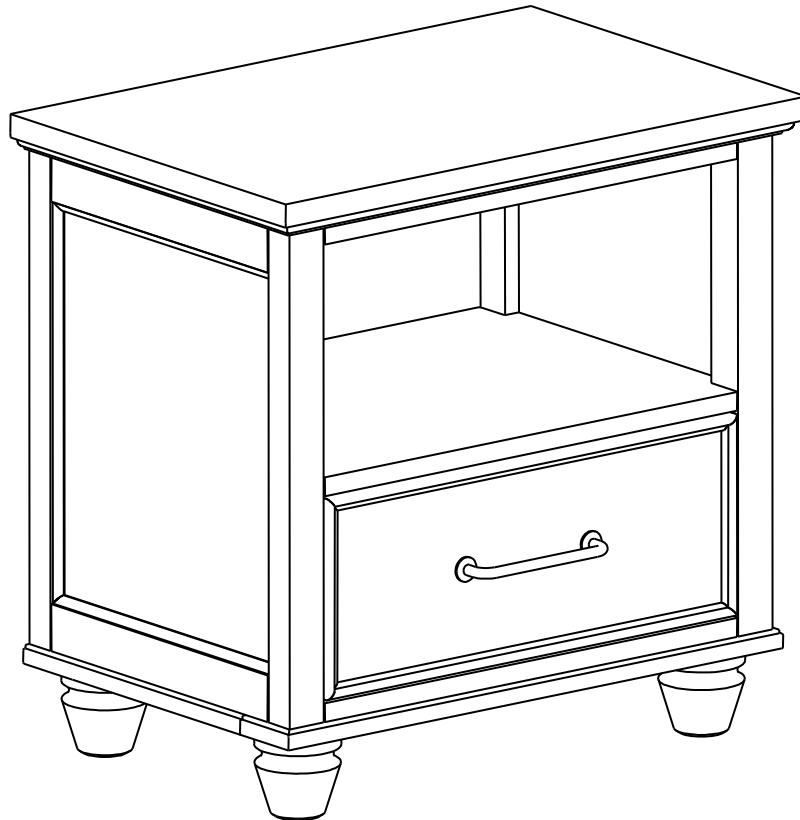


# ASSEMBLY INSTRUCTIONS

---



**WARNING!**

*Serious or fatal injuries can occur from furniture tip over. Use tip over restraint (provided) to secure this product to the wall.*

---

Description : VISTA 1 DRAWER NIGHTSTAND  
Item No. : BD-1501

## BEFORE ASSEMBLY

Thank you for purchasing this quality product. This product has been designed for easy assembly and constructed for durability. All parts were checked prior to packaging to insure quality. Prior to beginning assembly, however, make sure all parts and hardware are included and free of obvious defect. If a part is missing or defective, hardware is missing, or you need help with assembly, please call toll free 888-944-8396.

### IMPORTANT NOTE:

- Place all wooden parts on a clean and smooth surface such as a rug or carpet to avoid the parts from being scratched.
- Remove all wrapping material, including staples & packing straps before you start to assemble.
- DO NOT tighten all screws and bolts until completely assembled.
- Keep all hardware parts out of reach of children.

### WARNING:

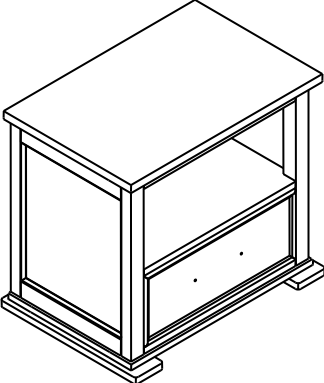

Long exposure to rubber or soft plastic may cause a chemical reaction and damage the finish of your product. Protect the surface of the product with cloth if you are using any product with rubber feet or base.

### ASSEMBLY TOOLS REQUIRED NOT INCLUDED




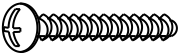
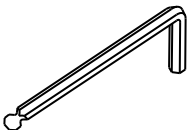
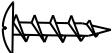


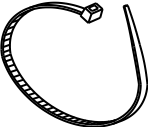
## PART LIST

When unpacking, please be careful not to discard any parts with the packaging. Before continuing, please make sure you have the following parts:

NO	Description	Qty	Sketch	NO	Description	Qty	Sketch
1	1 DRAWER NIGHTSTAND	1		2	LEG	4	

## HARDWARE LIST

When unpacking, please be careful not to discard any parts with the packaging. Before continuing, please make sure you have all of the following hardware:

NO	Description	Qty	Sketch	NO	Description	Qty	Sketch
1	<b>METAL HANDLE</b>	1		2	Medium Pan head screw (M4 x 22mm)	2	
3	Allen key (M4 x 30mm x 110mm)	1		4	Short Pan head screw (M4 x 15mm)	2	
5	Long Pan head screw (M4 x 50mm)	2		6	Steel Tip Bracket	4	
7	Flat Nylon Tie	2					

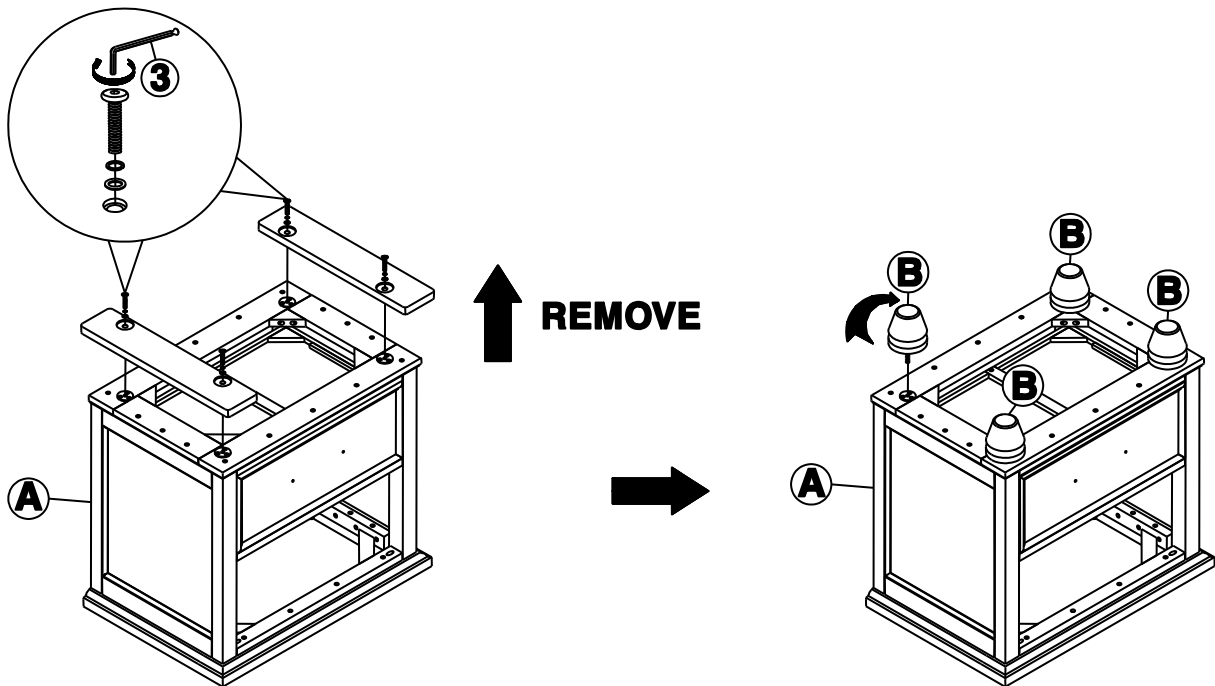
**NOTE: WARNING LABEL (INCLUDED)**

<b>⚠ WARNING</b>	
	<b>Children have died from furniture tipover. To reduce the risk of furniture tipover:</b> <ul style="list-style-type: none"><li>• <b>ALWAYS</b> install tipover restraint provided.</li><li>• <b>NEVER</b> put a TV on this product.</li><li>• <b>NEVER</b> allow children to stand, climb or hang on drawers, doors, or shelves.</li><li>• <b>NEVER</b> open more than one drawer at a time.</li><li>• Place heaviest items in the lowest drawers.</li></ul> <p><i><b>This is a permanent label. Do not remove!</b></i></p>
	

## STEP 1

Use the Allen key (3) to loosen the bolts and washers, and then remove two pieces of wood from bottom of the nightstand (A), as shown below.

Attach legs (B) by screwing them into the nightstand (A), as shown below.

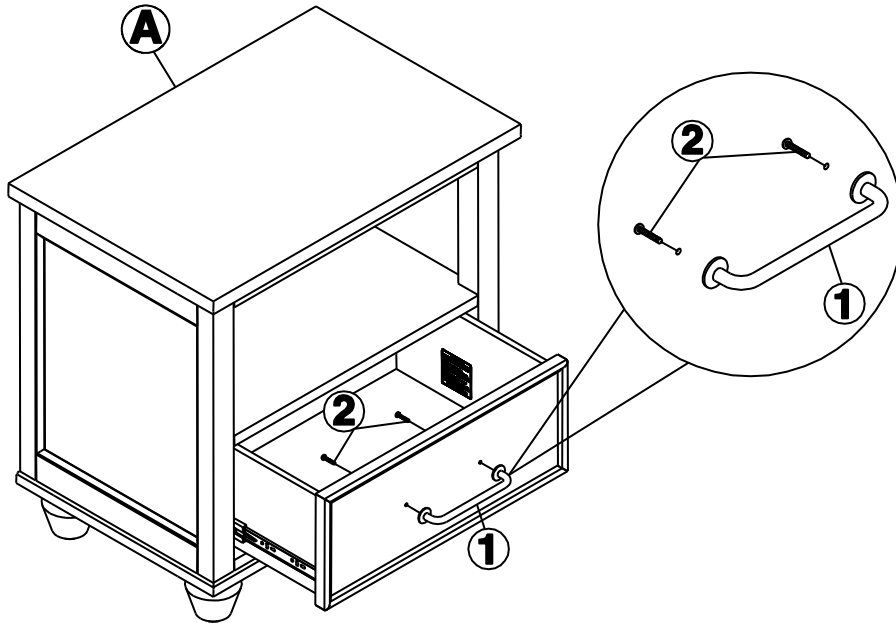


ITEM NO: BD-1501  
ISSUED AUG 26, 2024

Printed in Vietnam

## STEP 2

Attach handle (1) to front of drawers with pan head screws (2) as shown below. Tighten with a screwdriver.



## STEP 3

Attach brackets (6) to the back of the unit with screws (4) through the smaller holes in the brackets as shown below.

### Important!

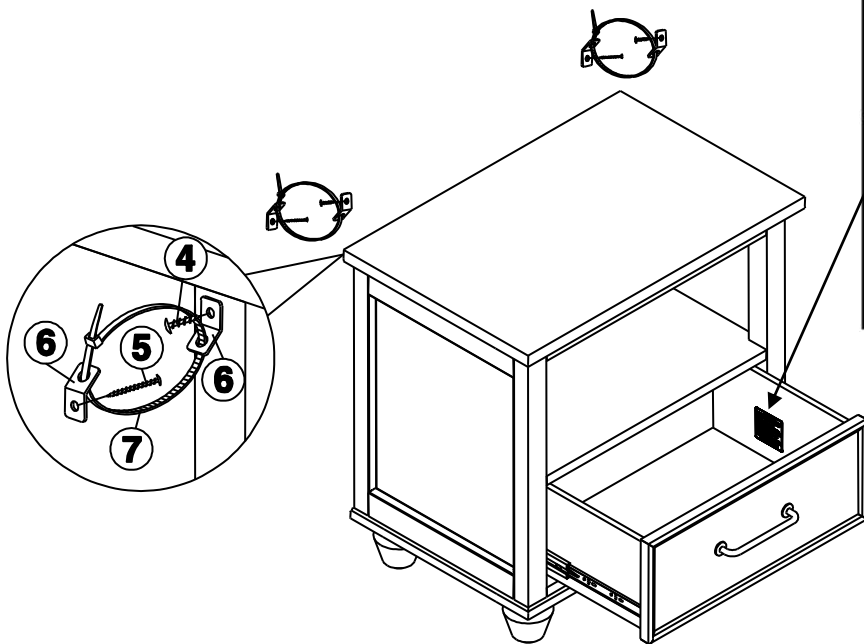
Properly attach the other brackets (6) to the wall in an area of **drywall or plaster with a wood stud**: Mark the attachment point(s) with a pencil at the appropriate height **positioned over the wood stud(s) in the wall**.

Place the unit into position so both mounting brackets are vertically in line.

Properly attach the other brackets (6) to the wall stud with screws (5) through the smaller holes as shown below.

Lace the end of flat nylon ties (7) through the larger holes in each mounting bracket. Bring both ends together and slide the flat ends through the locking ends and draw it through until all slack is removed.

**Confirm that the strap is securely laced and locked.**



<b>⚠ WARNING</b>	
	<b>Children have died from furniture tipover. To reduce the risk of furniture tipover:</b> <ul style="list-style-type: none"><li>• ALWAYS install tipover restraint provided.</li><li>• NEVER put a TV on this product.</li><li>• NEVER allow children to stand, climb or hang on drawers, doors, or shelves.</li><li>• NEVER open more than one drawer at a time.</li><li>• Place heaviest items in the lowest drawers.</li></ul> <i>This is a permanent label. Do not remove!</i>
	