

ASSEMBLY INSTRUCTION

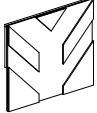
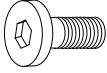
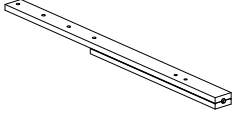
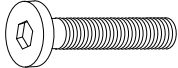
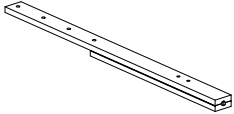
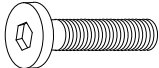
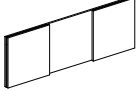
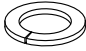
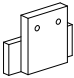

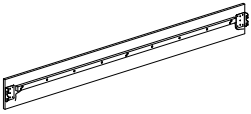

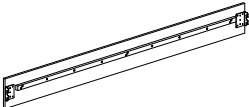
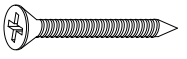
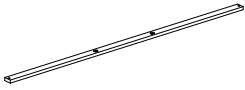

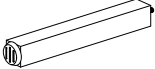
MODEL : OPTIMUS BRWN/BLK KB W/ LED

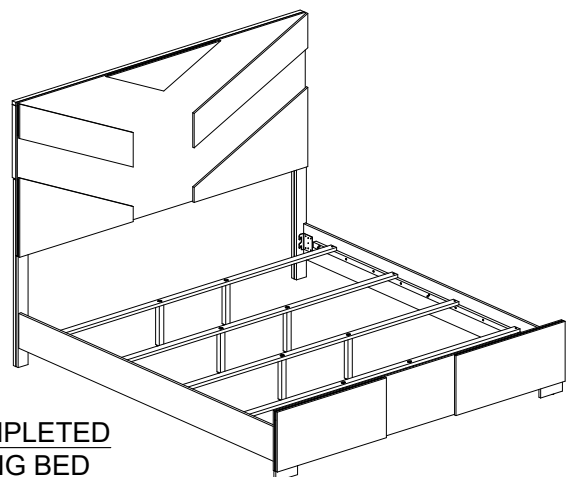
DESCRIPTION : KING BED WITH LED

Thank you for purchasing this quality product. Be sure to check all packing material carefully for small parts that may have come loose inside the carton during shipment.

PART LIST :

HARDWARE LIST :

No.	Description	Diagram	Quantity	No.	Description	Diagram	Size	Quantity
A	HEADBOARD		1	J	JCBB SCREW		M8 x 16MM	8
B	HEADBOARD LEG - LEFT		1	K	JCBB SCREW		M8 x 40MM	8
C	HEADBOARD LEG - RIGHT		1	L	JCBB SCREW		M8 x 35MM	4
D	FOOTBOARD		1	M	SPRING WASHER		M8 x 14MM	12
E	FOOTBOARD LEG		2	N	FLAT WASHER		M8 x 22MM	12
F	SIDE RAIL WITH WIRE		1	O	ALLEN KEY		M5	1
G	SIDE RAIL		1	P	CSK C/B SCREW		M4 x 32MM	8
H	BED SLAT		4	Q	ADAPTOR		-	1
I	SUPPORT LEG		8					



COMPLETED
KING BED
ASSEMBLY

01 OF 05

Made In Malaysia

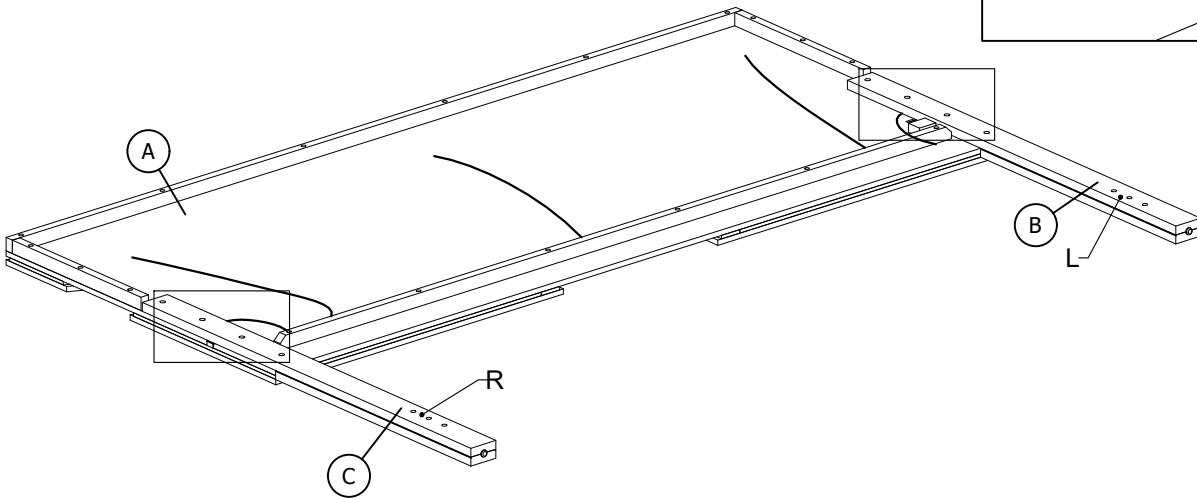
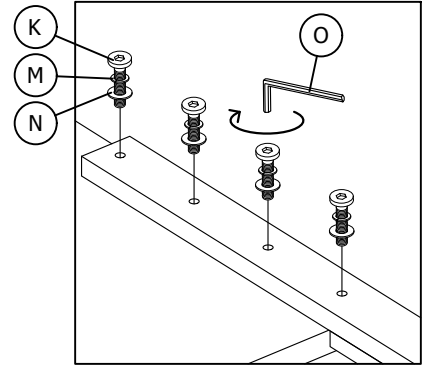
ASSEMBLY INSTRUCTION

MODEL : OPTIMUS BRWN/BLK KB W/ LED

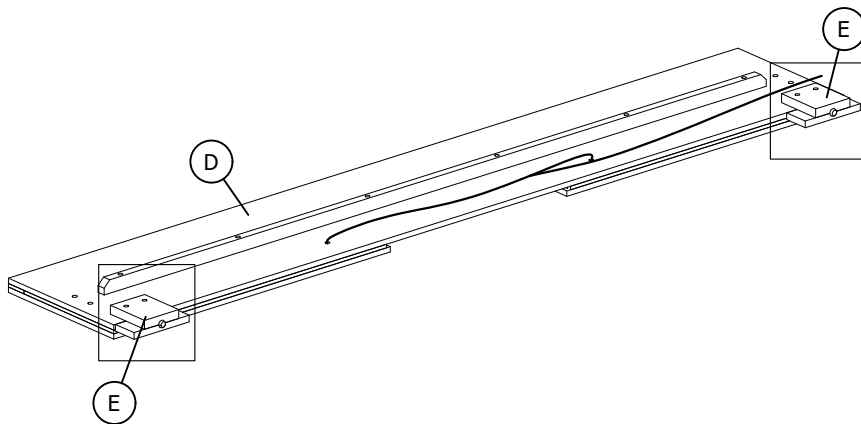
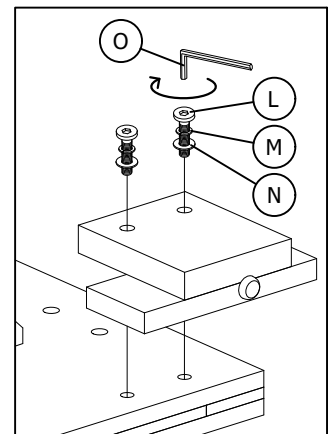
DESCRIPTION : KING BED WITH LED

Thank you for purchasing this quality product. Be sure to check all packing material carefully for small parts that may have come loose inside the carton during shipment.

Step 1



Step 2



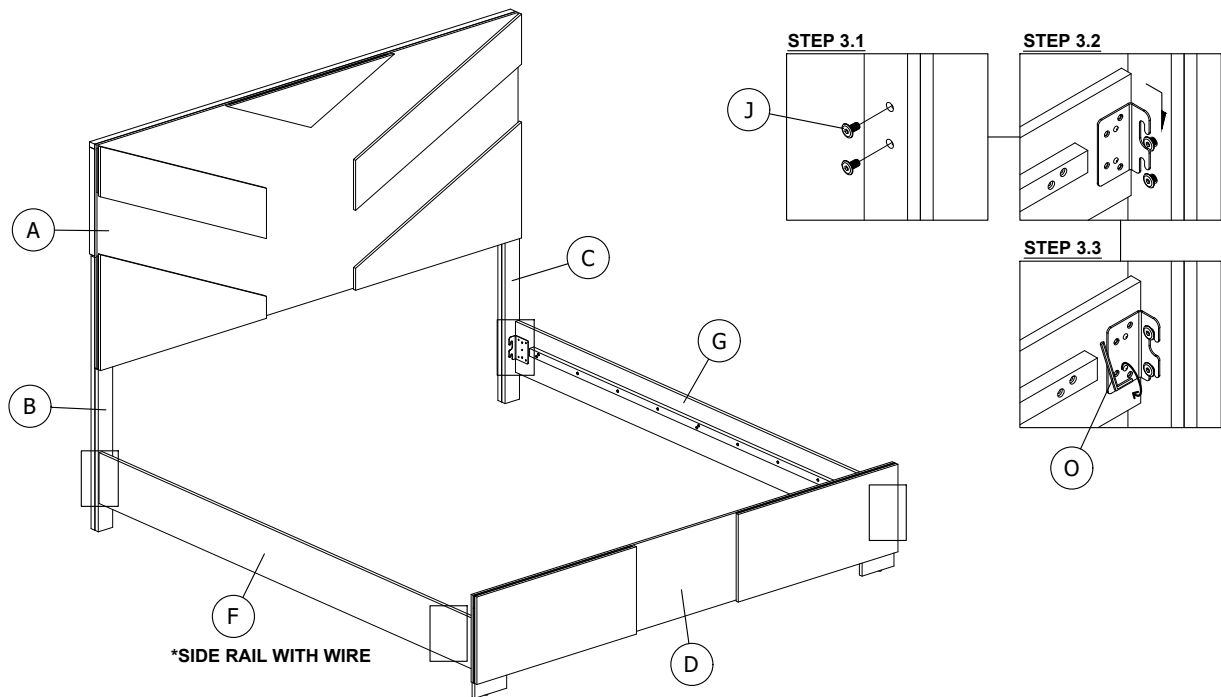
ASSEMBLY INSTRUCTION

MODEL : OPTIMUS BRWN/BLK KB W/ LED

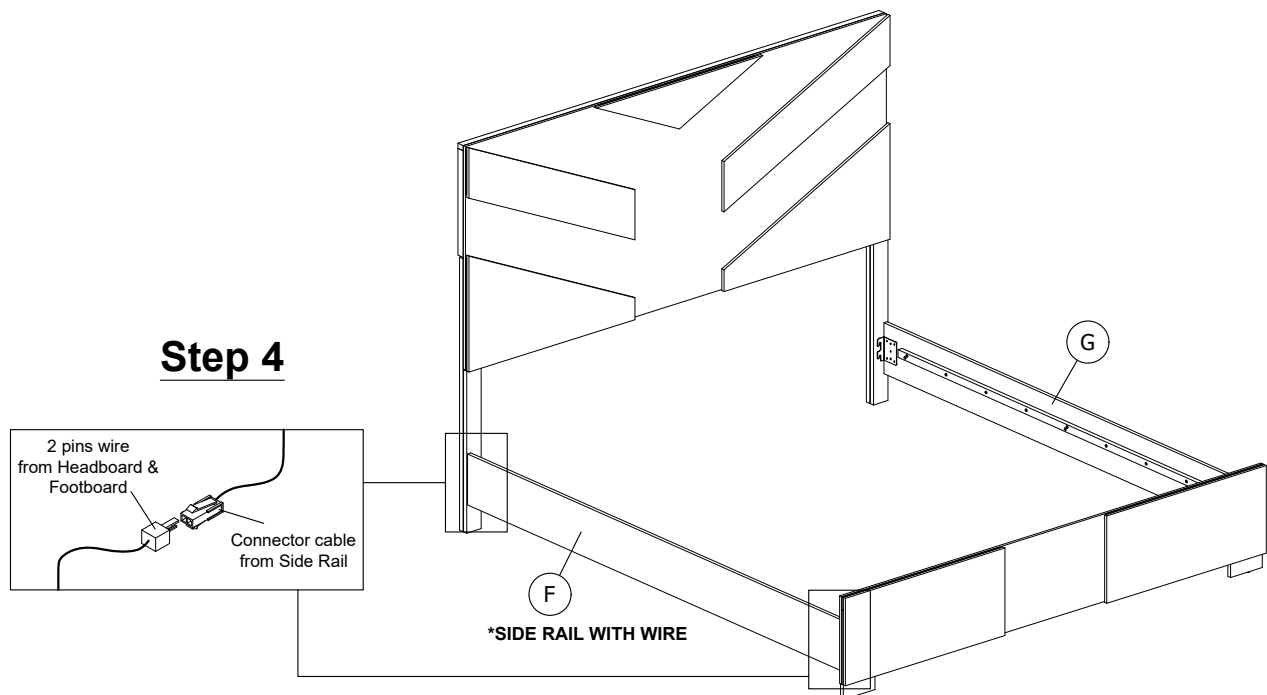
DESCRIPTION : KING BED WITH LED

Thank you for purchasing this quality product. Be sure to check all packing material carefully for small parts that may have come loose inside the carton during shipment.

Step 3



Step 4



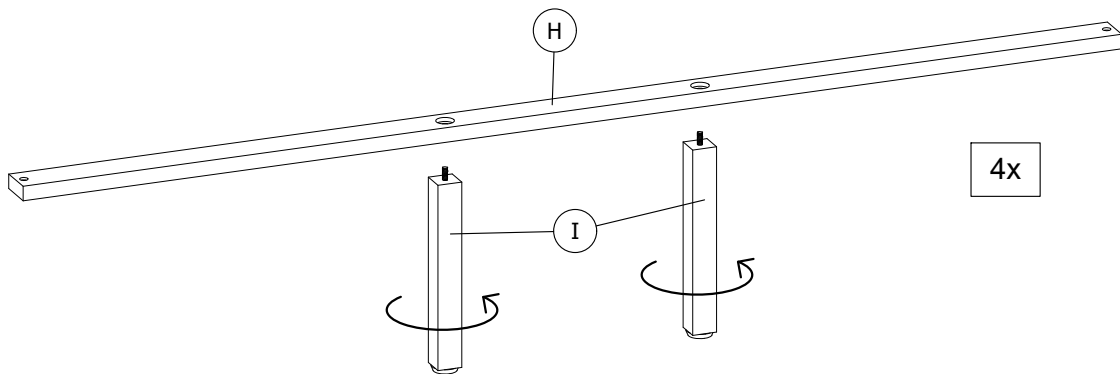
ASSEMBLY INSTRUCTION

MODEL : OPTIMUS BRWN/BLK KB W/ LED

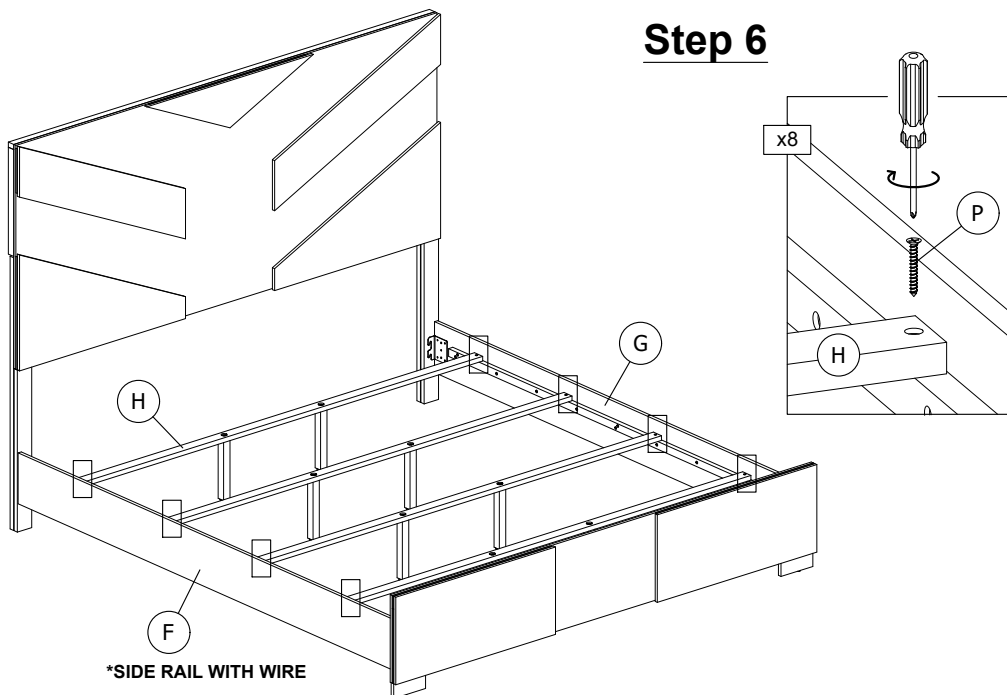
DESCRIPTION : KING BED WITH LED

Thank you for purchasing this quality product. Be sure to check all packing material carefully for small parts that may have come loose inside the carton during shipment.

Step 5



Step 6



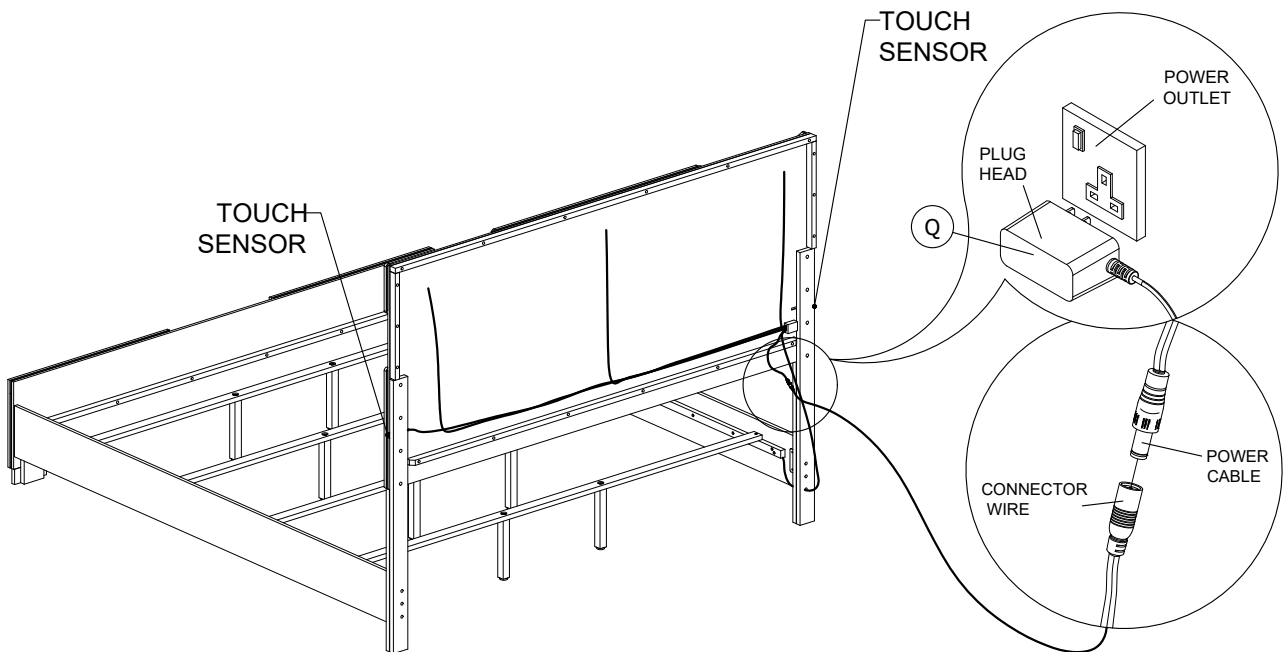
ASSEMBLY INSTRUCTION

MODEL : OPTIMUS BRWN/BLK KB W/ LED

DESCRIPTION : KING BED WITH LED

Thank you for purchasing this quality product. Be sure to check all packing material carefully for small parts that may have come loose inside the carton during shipment.

Step 7

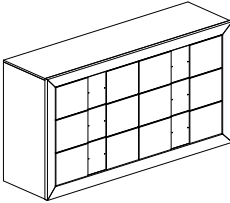
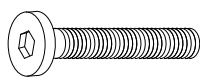

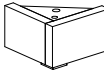

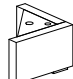

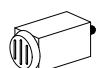

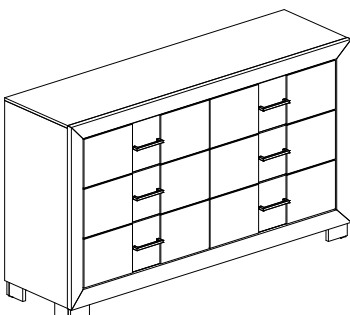
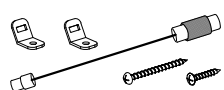


ASSEMBLY INSTRUCTION

MODEL : OPTIMUS BRWN/BLK DR

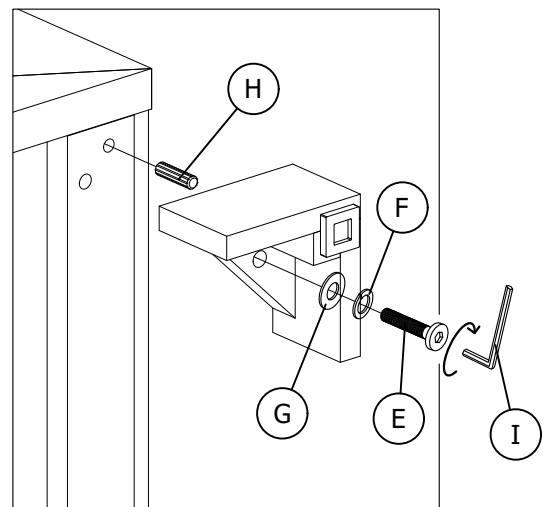
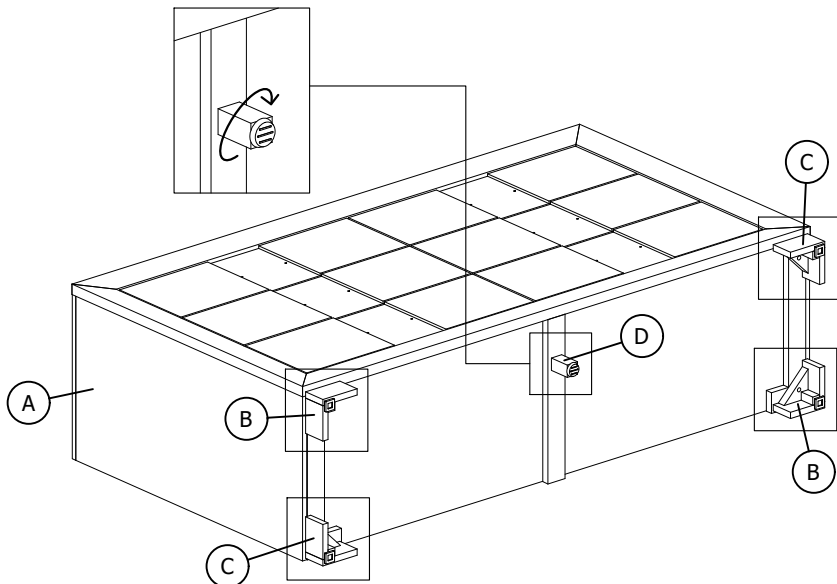
DESCRIPTION : DRESSER

Thank you for purchasing this quality product. Be sure to check all packing material carefully for small parts that may have come loose inside the carton during shipment.

PART LIST :				HARDWARE LIST :				
No.	Description	Diagram	Quantity	No.	Description	Diagram	Size	Quantity
A	DRESSER		1	E	JCBC SCREW		M6 x 40MM	4
				F	SPRING WASHER		M6 x 13MM	4
B	LEG (i)		2	G	FLAT WASHER		M6 x 19MM	4
C	LEG (ii)		2	H	DOWEL		Ø8 x 30MM	4
D	SUPPORT CENTER LEG		1	I	ALLEN KEY		M4	1
				J	TIPPING RESTRAINT		-	1

COMPLETED
DRESSER
ASSEMBLY

Step 1



01 OF 02

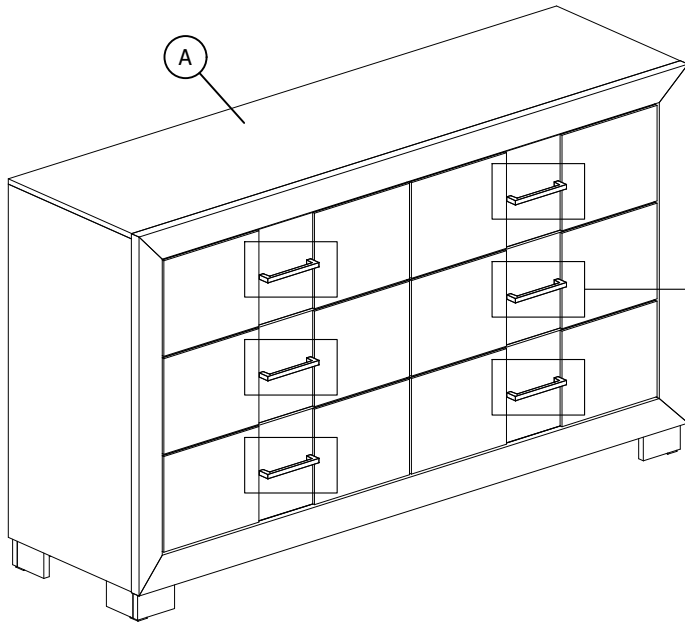
Made In Malaysia

ASSEMBLY INSTRUCTION

MODEL : OPTIMUS BRWN/BLK DR

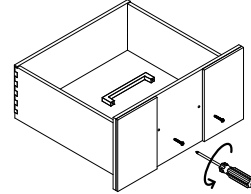
DESCRIPTION : DRESSER

Thank you for purchasing this quality product. Be sure to check all packing material carefully for small parts that may have come loose inside the carton during shipment.

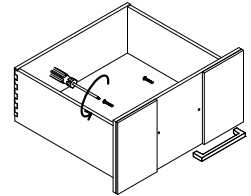


Step 2

2.1. Unscrew from outside.



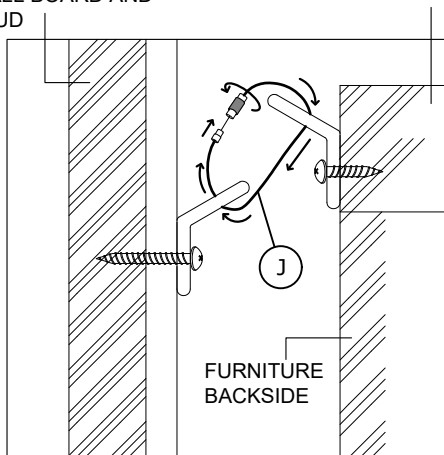
2.2. Screw from inside.



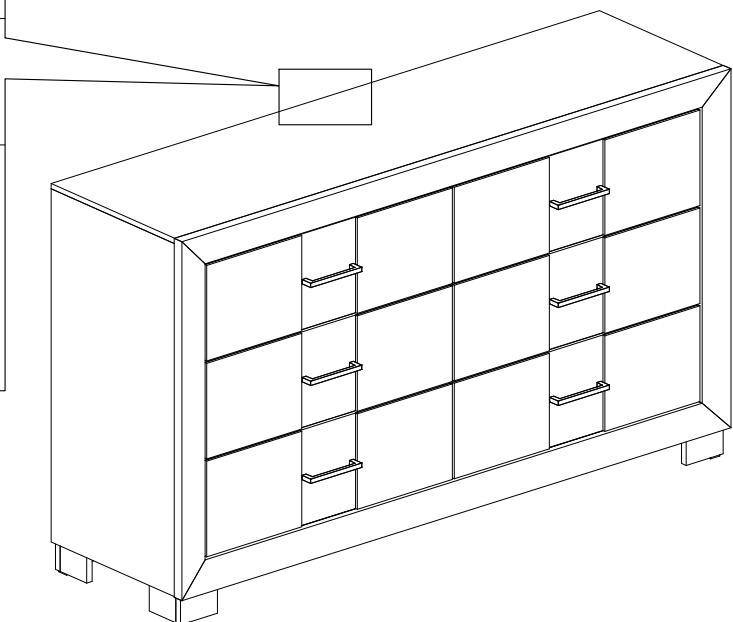
Step 3

WALL BOARD AND
STUD

FURNITURE TOP



FURNITURE
BACKSIDE



02 OF 02

Made In Malaysia

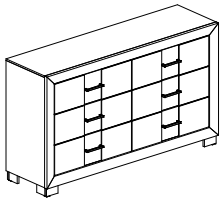
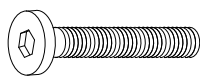
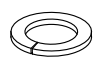
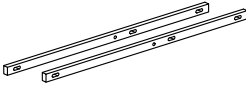
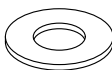
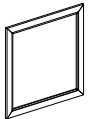

OPTIMUS BROWN/BLACK DRESSER

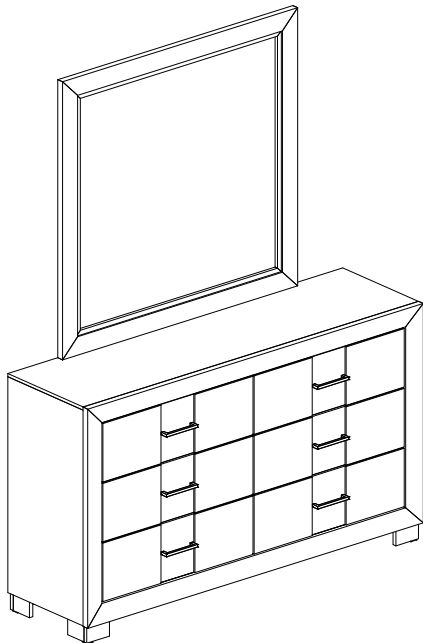
ASSEMBLY INSTRUCTION

MODEL : OPTIMUS BRWN/BLK MR

DESCRIPTION : MIRROR

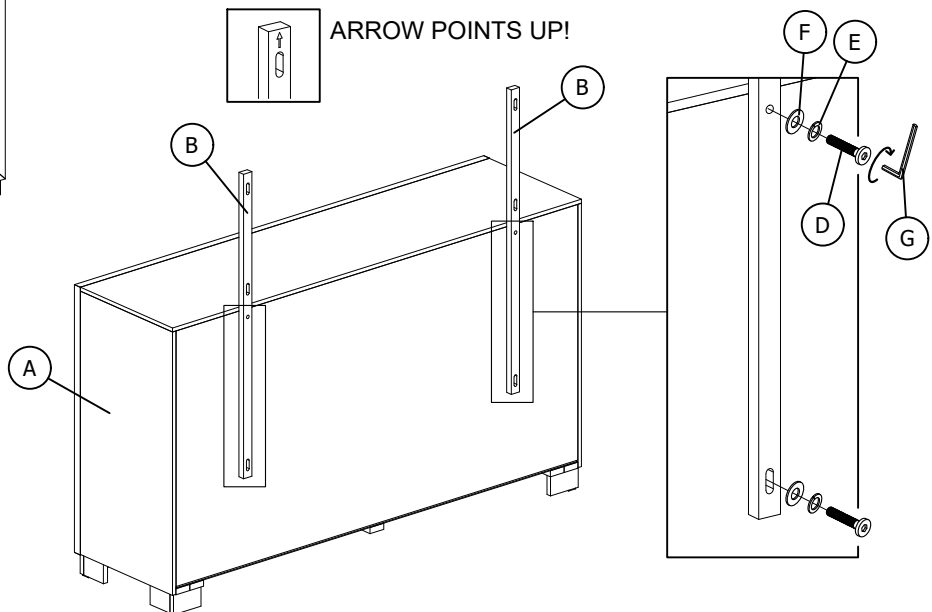
Thank you for purchasing this quality product. Be sure to check all packing material carefully for small parts that may have come loose inside the carton during shipment.

PART LIST :				HARDWARE LIST :				
No.	Description	Diagram	Quantity	No.	Description	Diagram	Size	Quantity
A	DRESSER		1	D	JCBC SCREW		M6 x 40MM	8
				E	SPRING WASHER		M6 x 13MM	8
B	MIRROR SUPPORT		2	F	FLAT WASHER		M6 x 19MM	8
C	MIRROR		1	G	ALLEN KEY		M4	1



COMPLETED
MIRROR
ASSEMBLY

Step 1

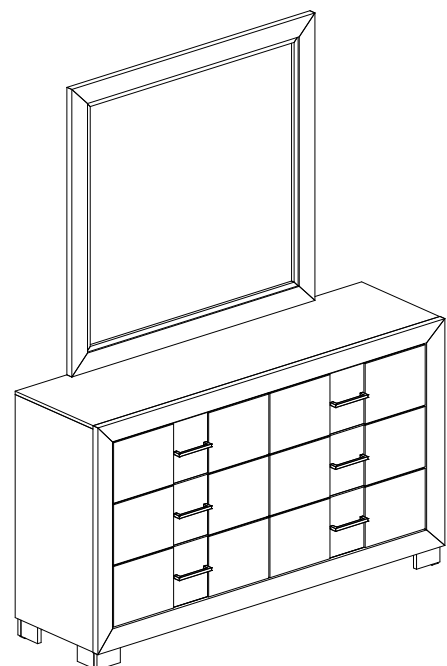
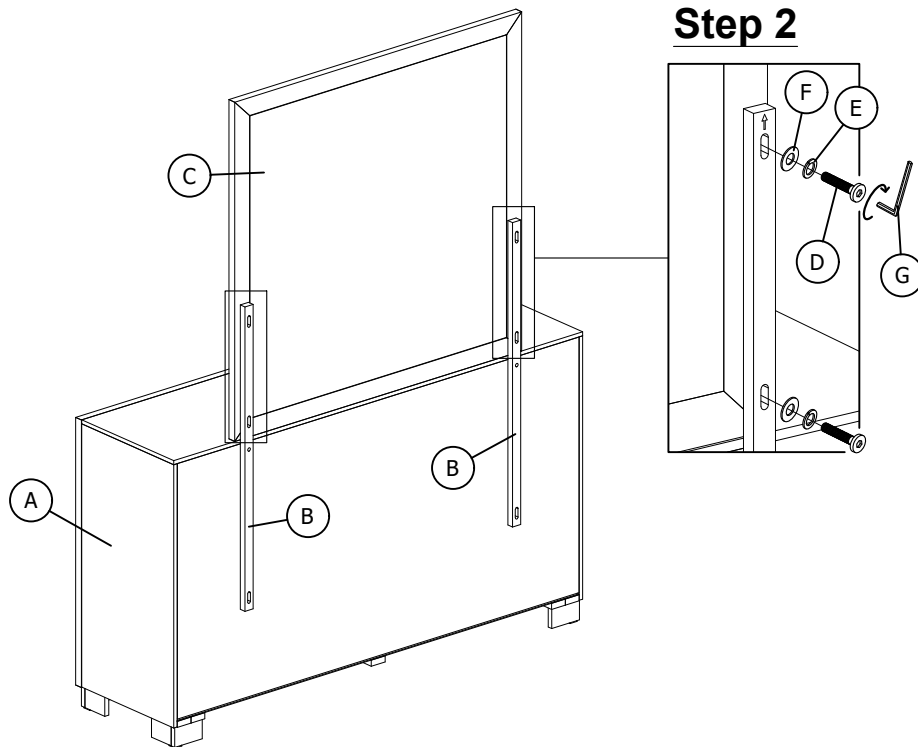


ASSEMBLY INSTRUCTION

MODEL : OPTIMUS BRWN/BLK MR

DESCRIPTION : MIRROR

Thank you for purchasing this quality product. Be sure to check all packing material carefully for small parts that may have come loose inside the carton during shipment.

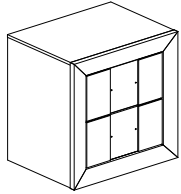
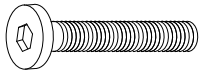
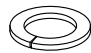
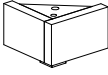
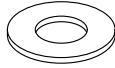
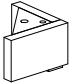




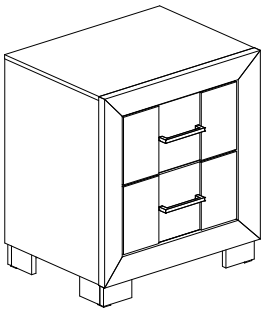
ASSEMBLY INSTRUCTION

MODEL : OPTIMUS BRWN/BLK NS

DESCRIPTION : NIGHTSTAND

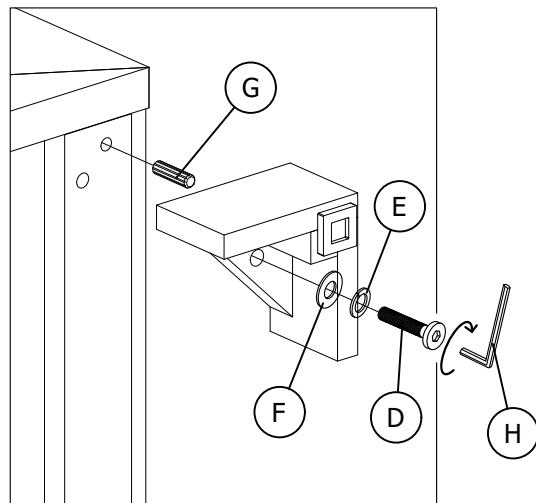
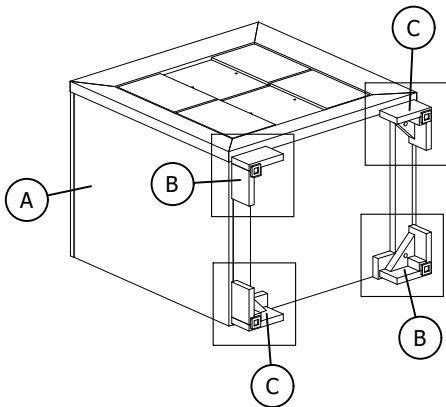
Thank you for purchasing this quality product. Be sure to check all packing material carefully for small parts that may have come loose inside the carton during shipment.

PART LIST :				HARDWARE LIST :				
No.	Description	Diagram	Quantity	No.	Description	Diagram	Size	Quantity
A	NIGHTSTAND		1	D	JCBC SCREW		M6 x 40MM	4
				E	SPRING WASHER		M6 x 13MM	4
B	LEG (i)		2	F	FLAT WASHER		M6 x 19MM	4
C	LEG (ii)		2	G	DOWEL		Ø8 x 30MM	4
				H	ALLEN KEY		M4	1



COMPLETED
NIGHTSTAND
ASSEMBLY

Step 1



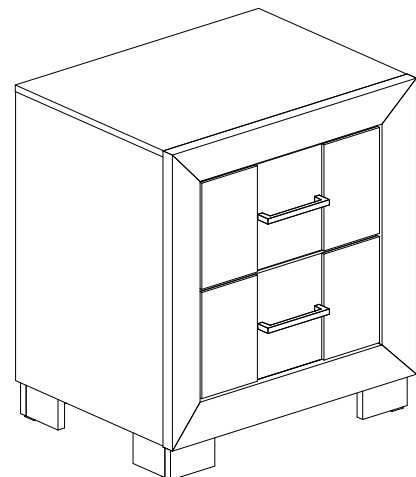
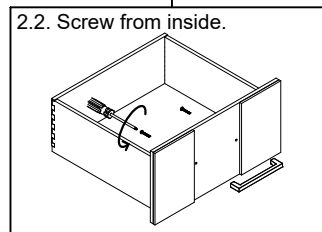
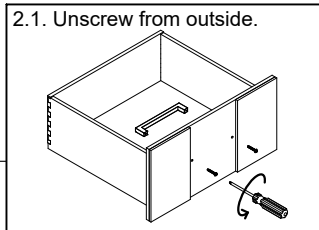
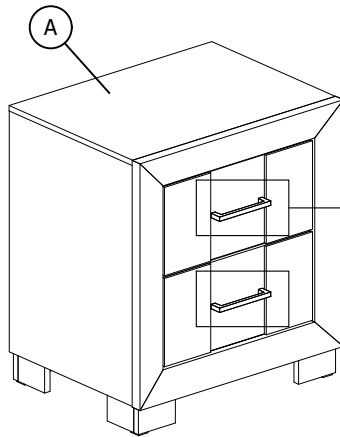
ASSEMBLY INSTRUCTION

MODEL : OPTIMUS BRWN/BLK NS

DESCRIPTION : NIGHTSTAND

Thank you for purchasing this quality product. Be sure to check all packing material carefully for small parts that may have come loose inside the carton during shipment.

Step 2



02 OF 02

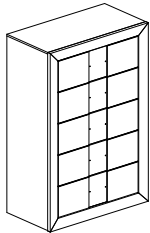
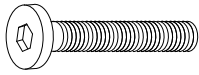
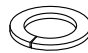
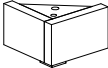
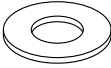
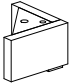

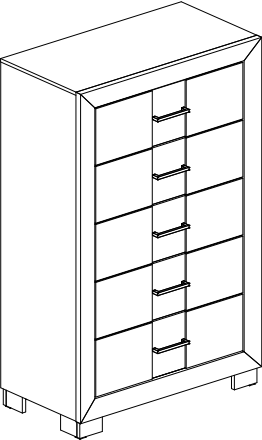

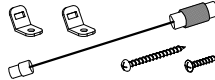
Made In Malaysia

ASSEMBLY INSTRUCTION

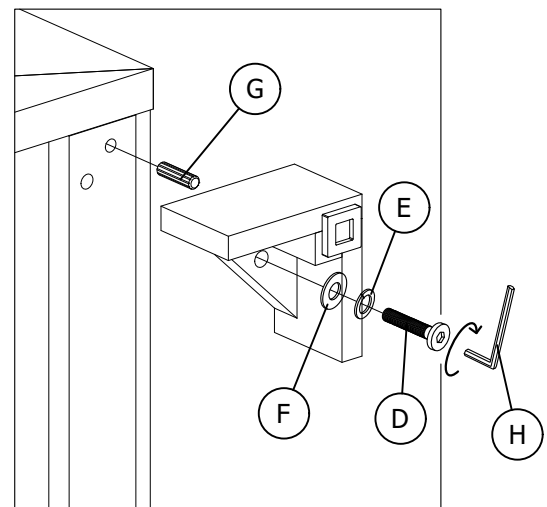
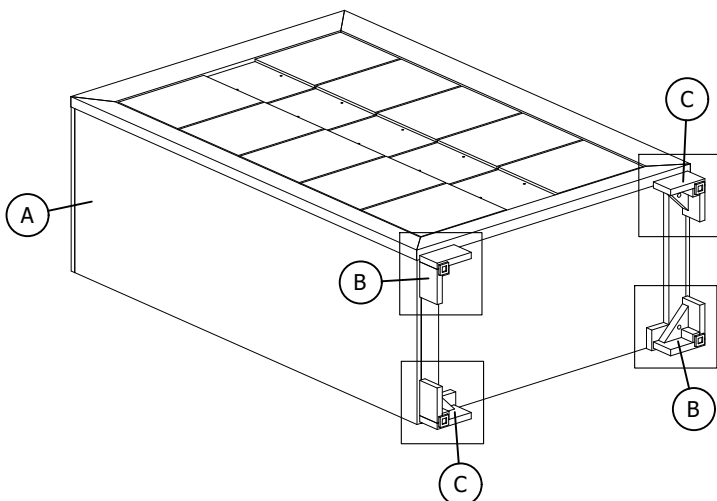
MODEL : OPTIMUS BRWN/BLK CH

DESCRIPTION : CHEST

Thank you for purchasing this quality product. Be sure to check all packing material carefully for small parts that may have come loose inside the carton during shipment.

PART LIST :				HARDWARE LIST :				
No.	Description	Diagram	Quantity	No.	Description	Diagram	Size	Quantity
A	CHEST		1	D	JCBC SCREW		M6 x 40MM	4
				E	SPRING WASHER		M6 x 13MM	4
B	LEG (i)		2	F	FLAT WASHER		M6 x 19MM	4
C	LEG (ii)		2	G	DOWEL		Ø8 x 30MM	4
 <p style="text-align: center;"><u>COMPLETED CHEST ASSEMBLY</u></p>				H	ALLEN KEY		M4	1
				I	TIPPING RESTRAINT		-	1

Step 1

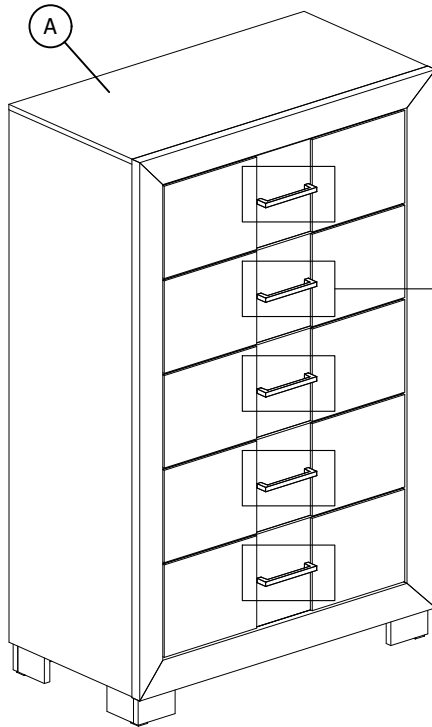


ASSEMBLY INSTRUCTION

MODEL : OPTIMUS BRWN/BLK CH

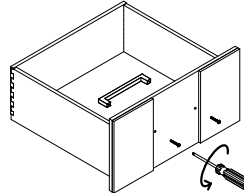
DESCRIPTION : CHEST

Thank you for purchasing this quality product. Be sure to check all packing material carefully for small parts that may have come loose inside the carton during shipment.

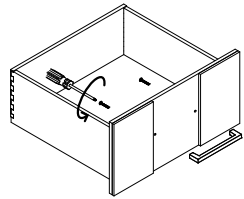


Step 2

2.1. Unscrew from outside.



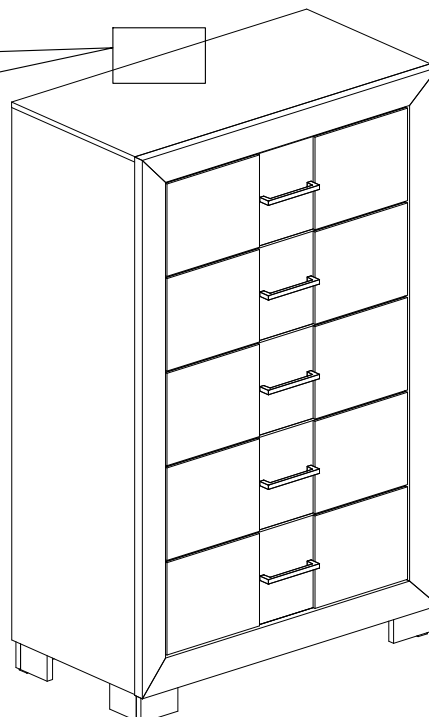
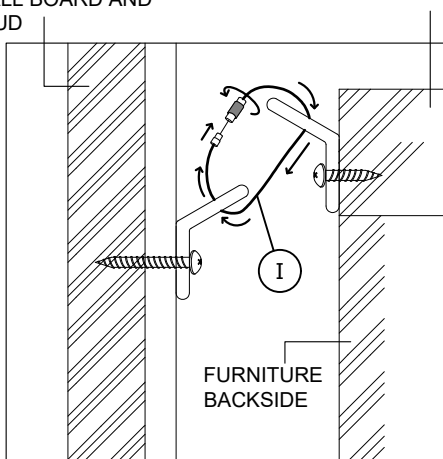
2.2. Screw from inside.



Step 3

WALL BOARD AND
STUD

FURNITURE TOP



02 OF 02

Made In Malaysia