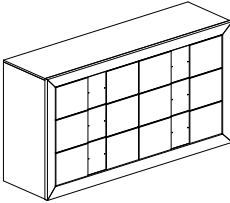
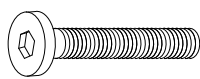

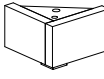

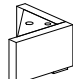

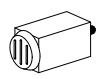

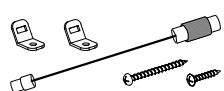


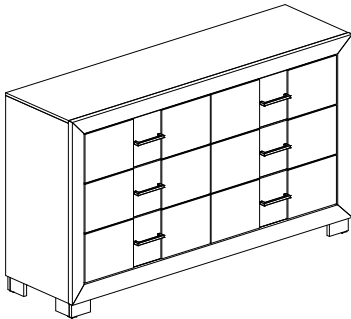
ASSEMBLY INSTRUCTION

MODEL : OPTIMUS BRWN/BLK DR

DESCRIPTION : DRESSER

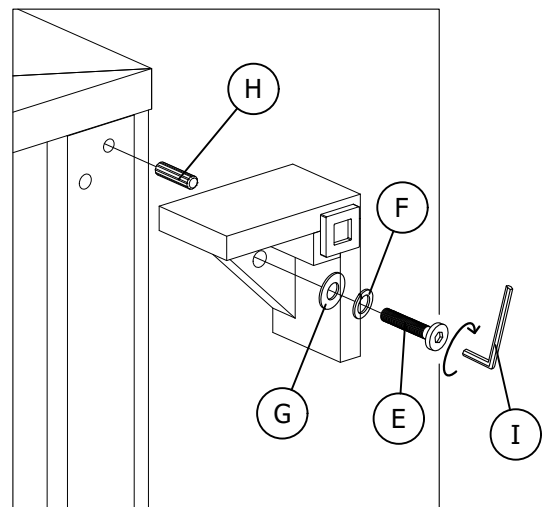
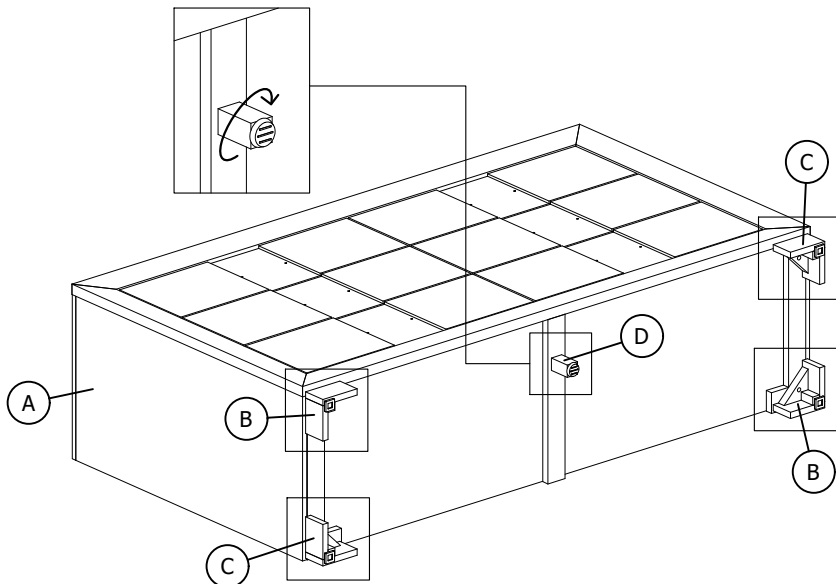
Thank you for purchasing this quality product. Be sure to check all packing material carefully for small parts that may have come loose inside the carton during shipment.

PART LIST :				HARDWARE LIST :				
No.	Description	Diagram	Quantity	No.	Description	Diagram	Size	Quantity
A	DRESSER		1	E	JCBC SCREW		M6 x 40MM	4
				F	SPRING WASHER		M6 x 13MM	4
B	LEG (i)		2	G	FLAT WASHER		M6 x 19MM	4
C	LEG (ii)		2	H	DOWEL		Ø8 x 30MM	4
D	SUPPORT CENTER LEG		1	I	ALLEN KEY		M4	1
				J	TIPPING RESTRAINT		-	1



COMPLETED
DRESSER
ASSEMBLY

Step 1



01 OF 02

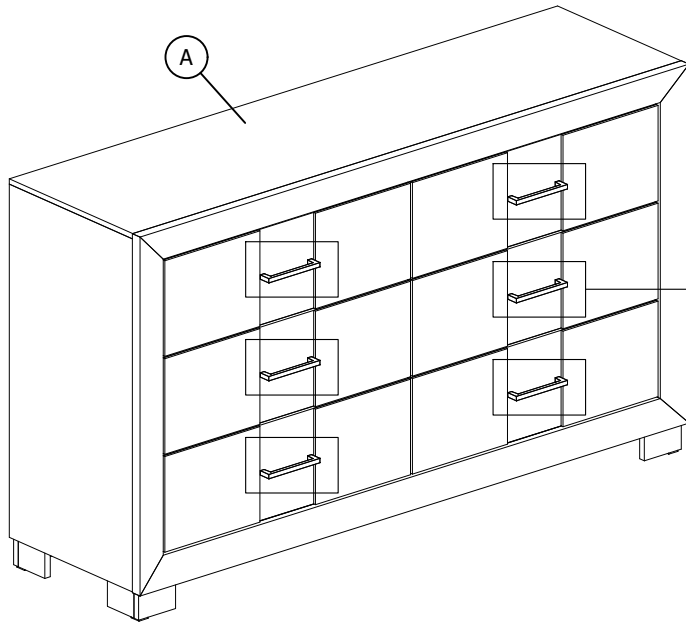
Made In Malaysia

ASSEMBLY INSTRUCTION

MODEL : OPTIMUS BRWN/BLK DR

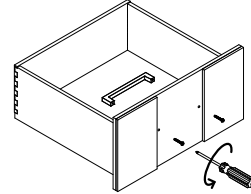
DESCRIPTION : DRESSER

Thank you for purchasing this quality product. Be sure to check all packing material carefully for small parts that may have come loose inside the carton during shipment.

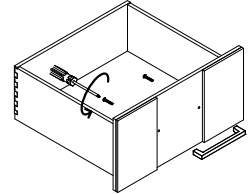


Step 2

2.1. Unscrew from outside.



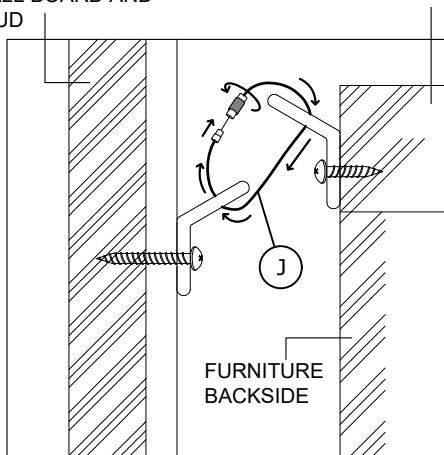
2.2. Screw from inside.



Step 3

WALL BOARD AND
STUD

FURNITURE TOP



FURNITURE
BACKSIDE

