

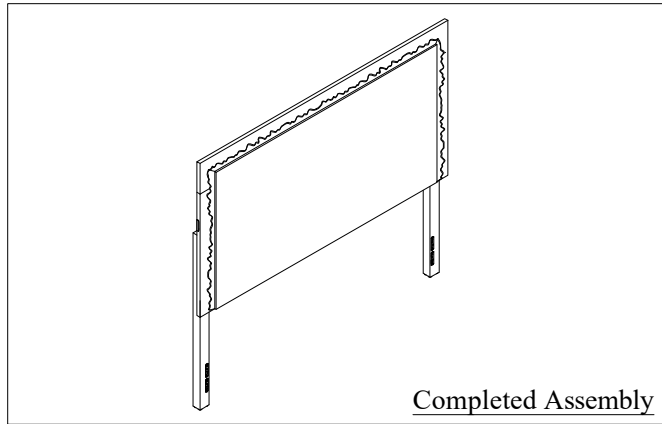
Assembly Instruction

DD-F02

Model No : NAOMI 256A Headboard

Thank you for purchasing this quality product.


Please check all packing material carefully which may have come loose inside the carton during shipment.



PART LIST

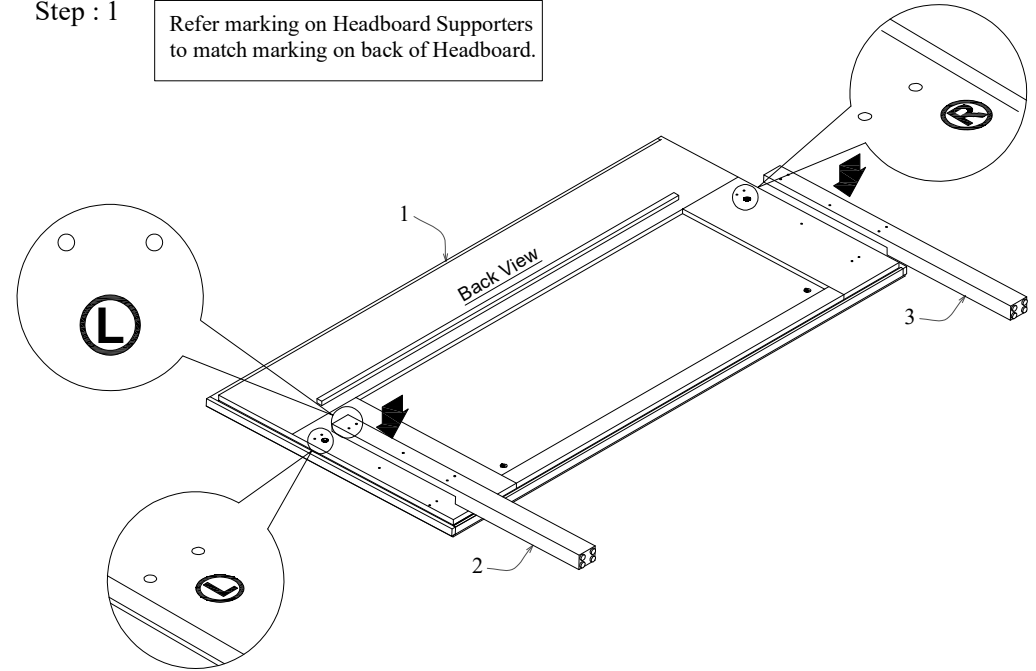
No	Description	Qty
1	Headboard	1pc
2	Headboard Left Supporter (L)	1pc
3	Headboard Right Supporter (R)	1pc

HARDWARE LIST

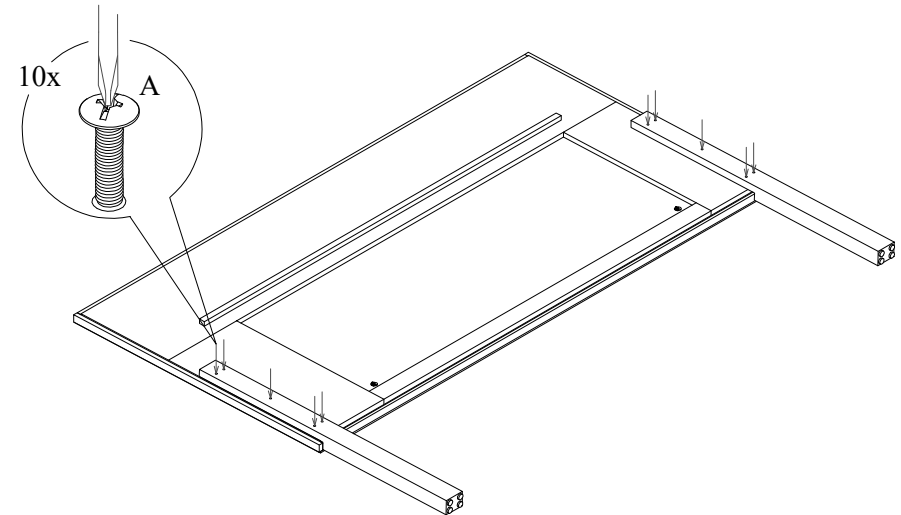
No	Description	Qty
A	JCBC Screw M6 x 35mm 	10pcs

Step : 1

Refer marking on Headboard Supporters to match marking on back of Headboard.



Step : 2

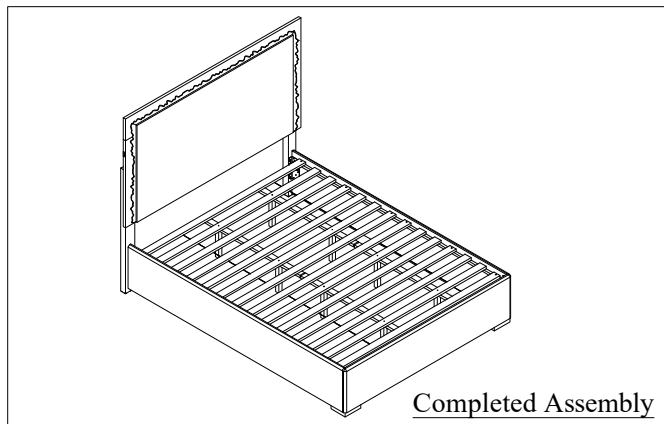


Assembly Instruction

Model No : NAOMI 256A King Bed

Thank you for purchasing this quality product.





Please check all packing material carefully which may have come loose inside the carton during shipment.



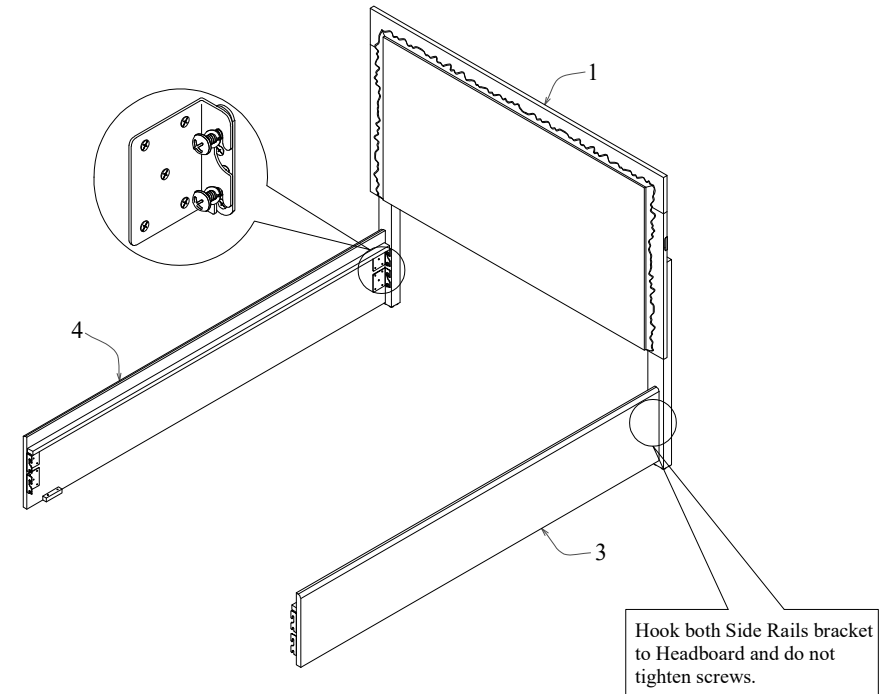
PART LIST

No	Description	Qty
1	Headboard	1pc
2	Footboard	1pc
3	Side Rail (R)	1pc
4	Side Rail (L)	1pc
5	Center Rail	4pcs
6	Center Rail Supporter	8pcs
7	Bed Leg	2pcs
8	Slat	2set

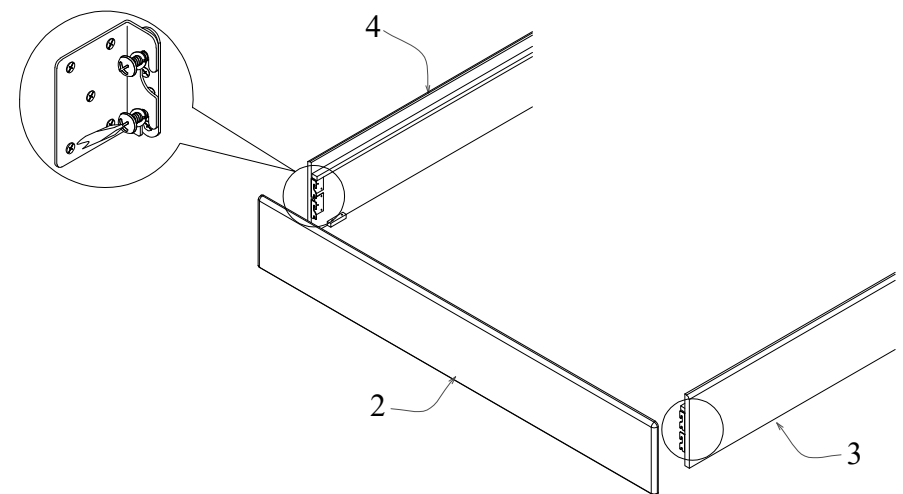
HARDWARE LIST

No	Description	Qty
A	TRUSS HD C/B M4 x 25mm 	12pcs
B	JCBC Screw M6 x 35mm 	8pcs
C	Spring Washer M8 	8pcs
D	Adaptor 12V-2A 	1pc

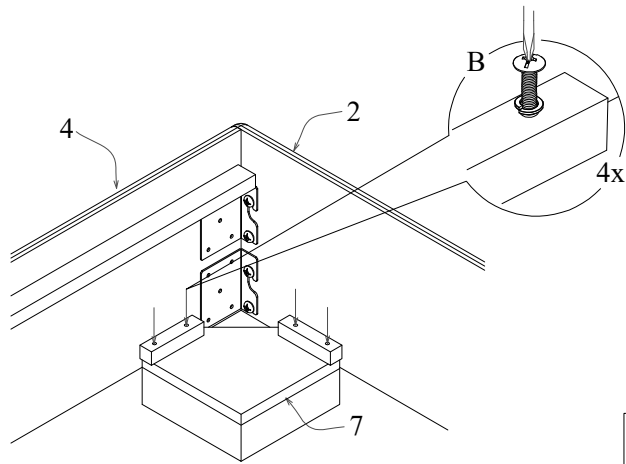
Step : 1



Step : 2

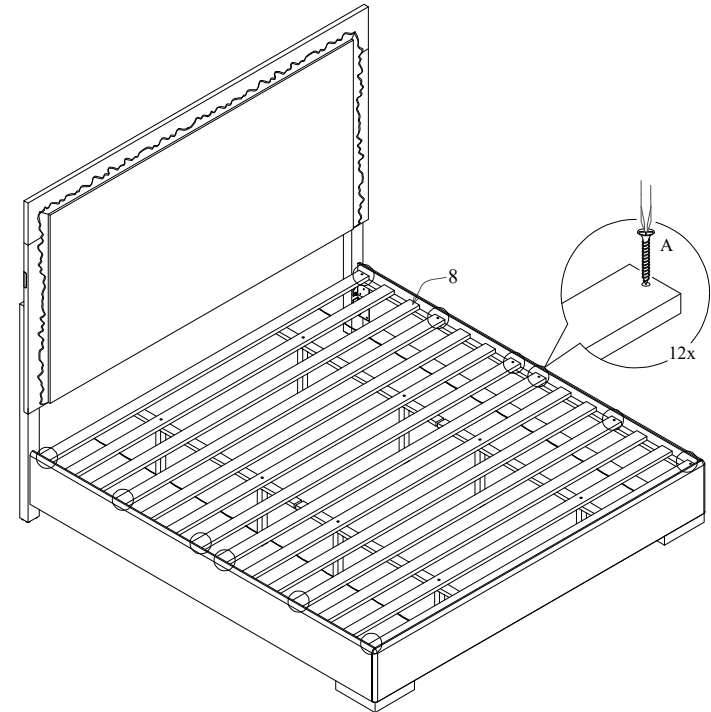


Step : 3

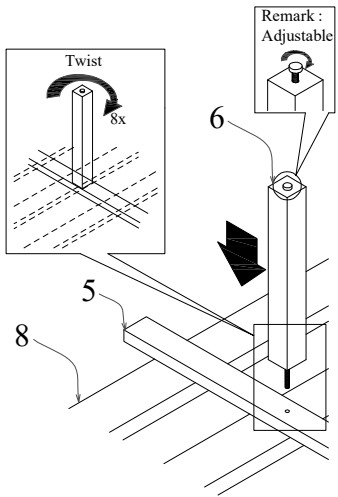


Place assembled Footboard and Side Rails above bed leg. Do not lock the bolt too tight, so that can be adjust.

Step : 6

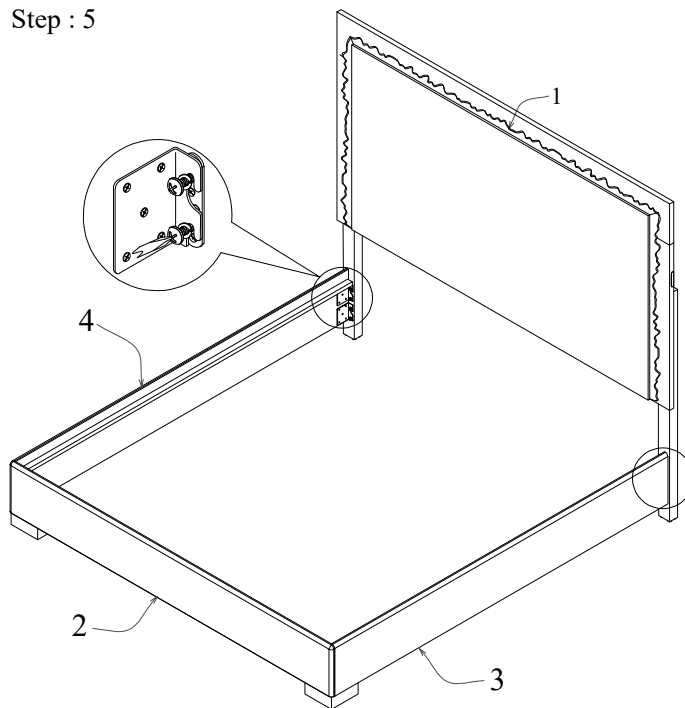


Step : 4



Put the Center Rail (5) on Slats (8). Then take the Center Rail Supporter (6) insert in the hole as in the picture and twist until tight.

Step : 5



Step : 7

