

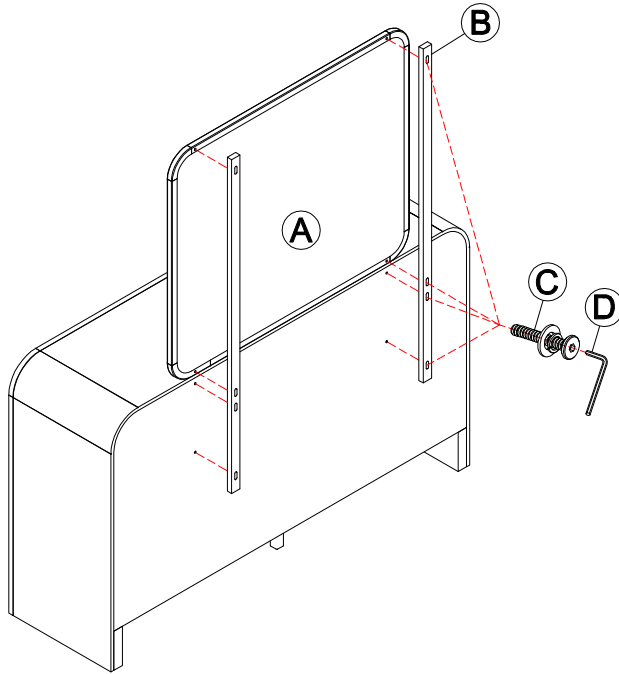
# ASSEMBLY INSTRUCTION

Model : MALMO-OAK-MR

Description : Mirror

Thank you for purchasing this quality product. Be sure to check all packing materials carefully for small parts, which may have come loose inside the carton during shipment.

## Step 1:



### PART LIST:

No.	Description	Diagram	Quantity
A	Mirror		1
B	Mirror Support		2

### HARDWARE LIST:

No.	Description	Diagram	Size	Quantity
C	Bolt		Ø1/4"x38mm	8
D	Allen Key		M4	1

Attach Mirror Support (B) to back of Dresser, Mirror (A) by using Bolt (C) and tighten with Allen Key (D). Align holes on Mirror Support with pre-drilled holes on Dresser and Mirror.

## Step 2:

