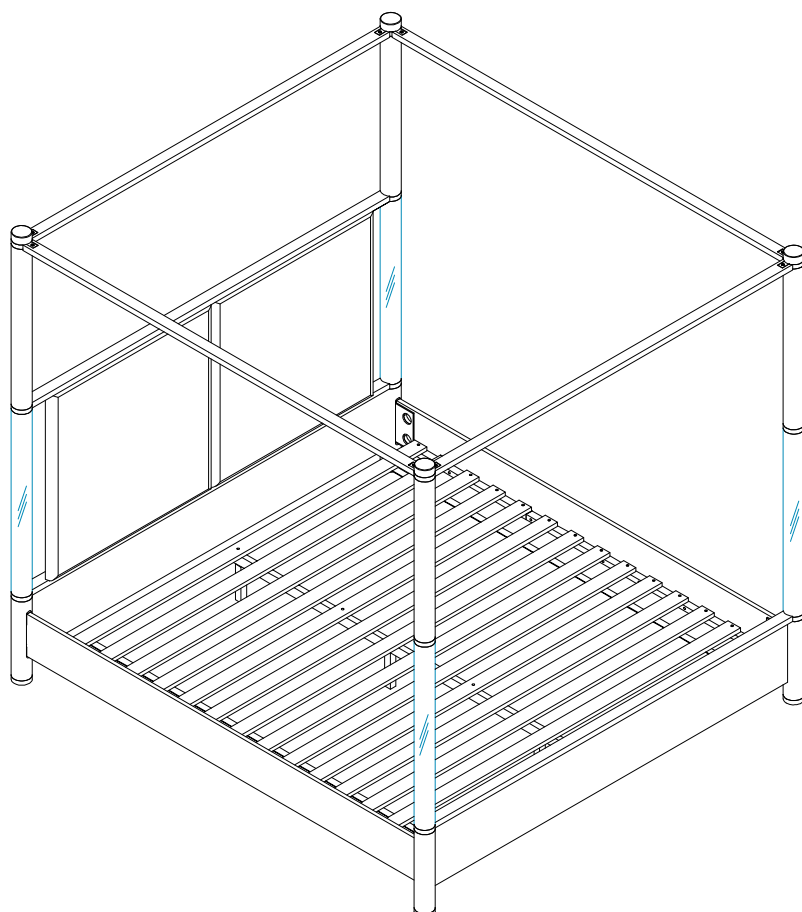


ASSEMBLY INSTRUCTION

Model : MALMO-OAK-KB-HB/FB/SR/POST

Description : King Bed

Thank you for purchasing this quality product. Be sure to check all packing materials carefully for small parts, which may have come loose inside the carton during shipment.



PART LIST:

No.	Description	Diagram	Quantity
A	Headboard Panel		1
B	Under HB Panel		1
C	Cross Bar		1
D	Footboard Panel		1
E	Slats		14
F	Bottom Bed Leg (L/R)		4
G	Lower Middle Bed Leg		4
H	Upper Middle Bed Leg		4
I	Siderail		2
J	Center Support		1
K	Center Support Leg		3
L	Vertical Top Bar		2
M	Horizontal Top Bar		2

HARDWARE LIST:

No.	Description	Diagram	Size	Quantity
Headboard and Footboard	N		Ø1/4"x35mm	10
	O		Ø1/4"x40mm	8
	P		M4	1
	Q		Ø4x30mm	28
HB & FB Post	R		Ø80x20x2mm	2
	S		Ø80x55mm	4
	T		Ø1/4"x15mm	10
Siderails	U		Ø5/16"x90mm	8
	V		Ø5/16"	8
	X		Ø5/16"	8
	Y		12mm	1

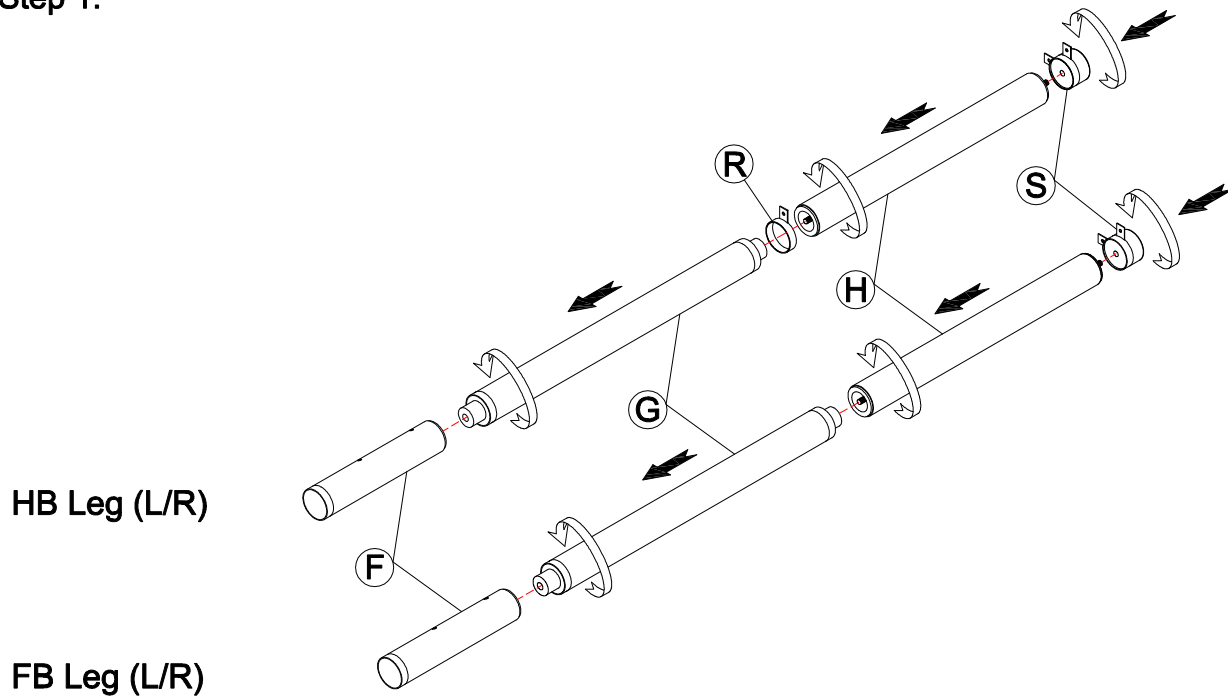
ASSEMBLY INSTRUCTION

Model : MALMO-OAK-KB-HB/FB/SR/POST

Description : King Bed

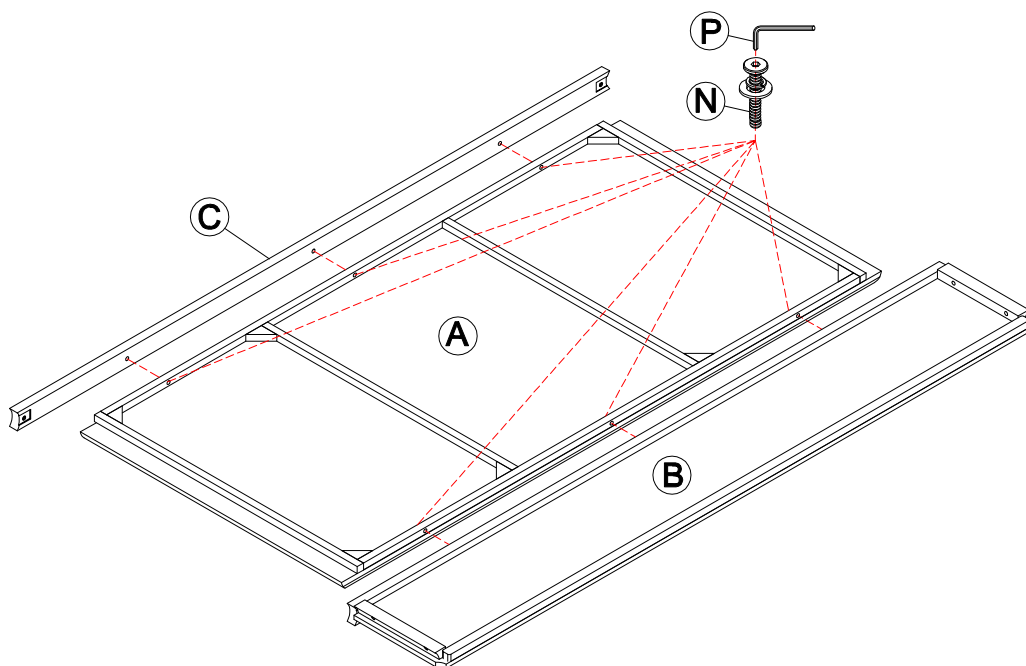
Thank you for purchasing this quality product. Be sure to check all packing materials carefully for small parts, which may have come loose inside the carton during shipment.

Step 1:



Insert Iron rings (R,S) into the connectors and gradually assemble the parts of the bed leg (F,G,H) together to form a complete leg.

Step 2:



Attach Under HB Panel (B) and Cross Bar (C) to Headboard Panel (A) by using Bolt (N) and tighten with Allen Key (P).

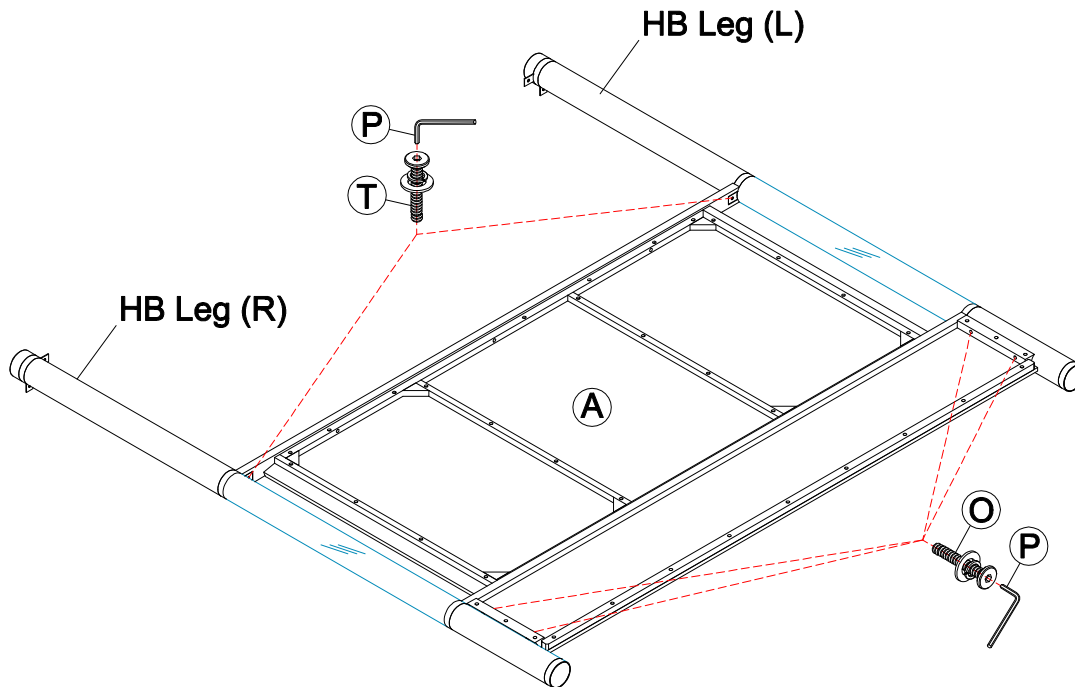
ASSEMBLY INSTRUCTION

Model : MALMO-OAK-KB-HB/FB/SR/POST

Description : King Bed

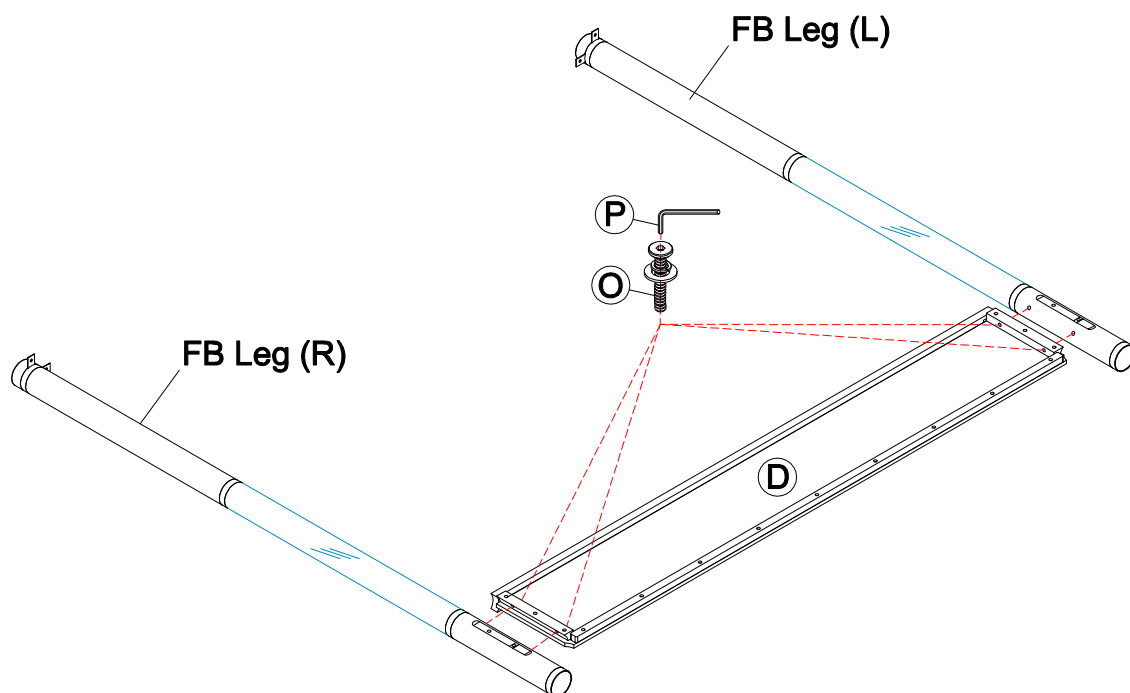
Thank you for purchasing this quality product. Be sure to check all packing materials carefully for small parts, which may have come loose inside the cartons during shipment.

Step 3:



Attach HB Leg (L/R) to the Headboard by using Bolt (O,T) and tighten with Allen Key (P)..

Step 4:



Attach FB Leg (L/R) to the Footboard Panel (D) by using Bolt (O) and tighten with Allen Key (P).

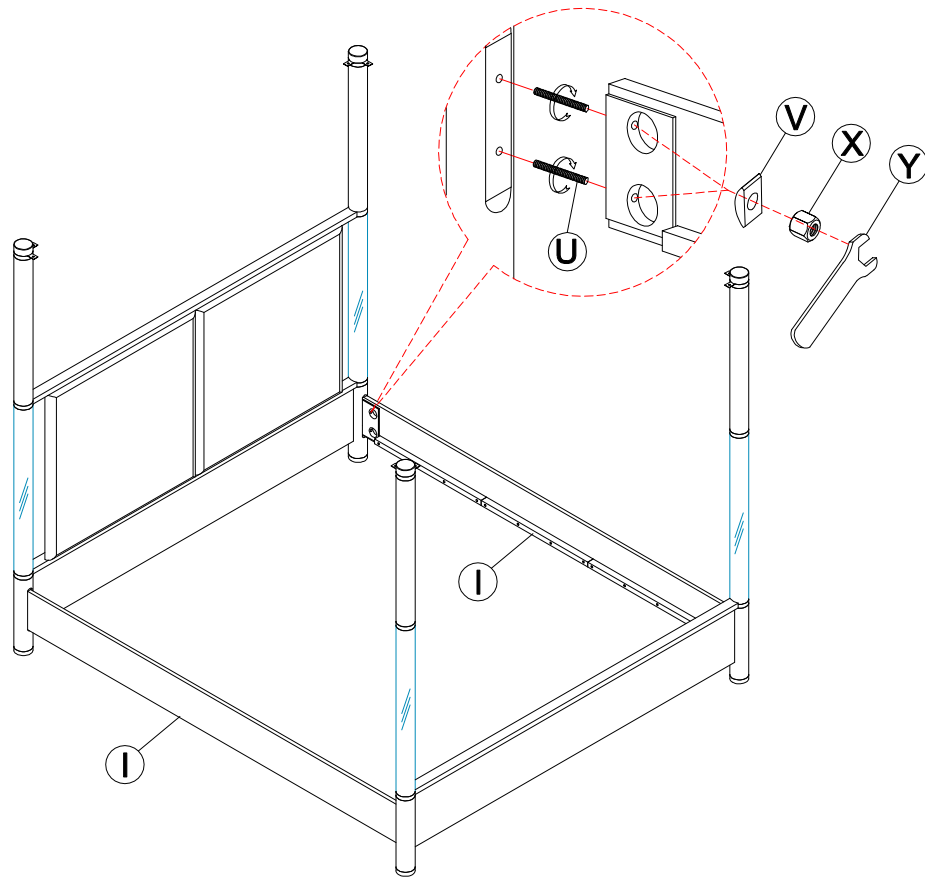
ASSEMBLY INSTRUCTION

Model : MALMO-OAK-KB-HB/FB/SR/POST

Description : King Bed

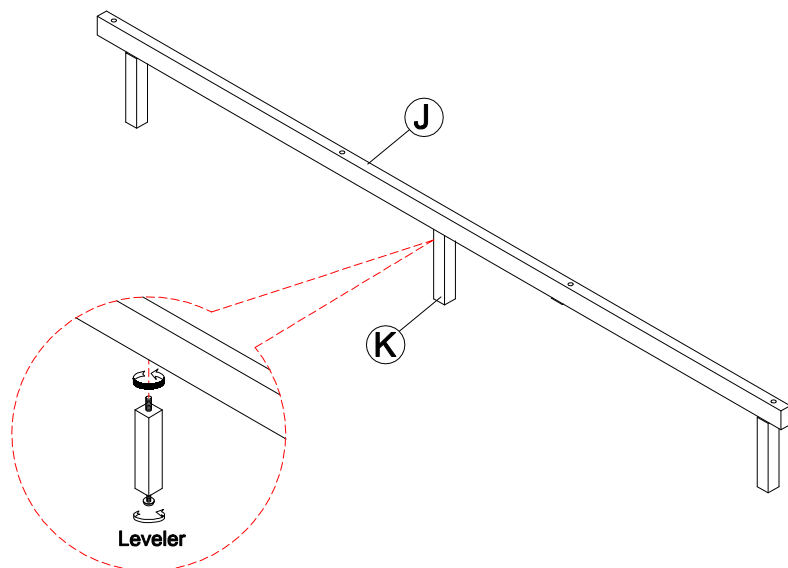
Thank you for purchasing this quality product. Be sure to check all packing materials carefully for small parts, which may have come loose inside the carton during shipment.

Step 5:



Attach Threaded Rods (U) to the Headboard and Footboard, then align side rail (I) to the Threaded Rods (U). Secure by using Nuts (X) with Half Moon Nut (V).

Step 6:



Attach Support Leg (K) to Center Support (J) by turning as clockwise direction.

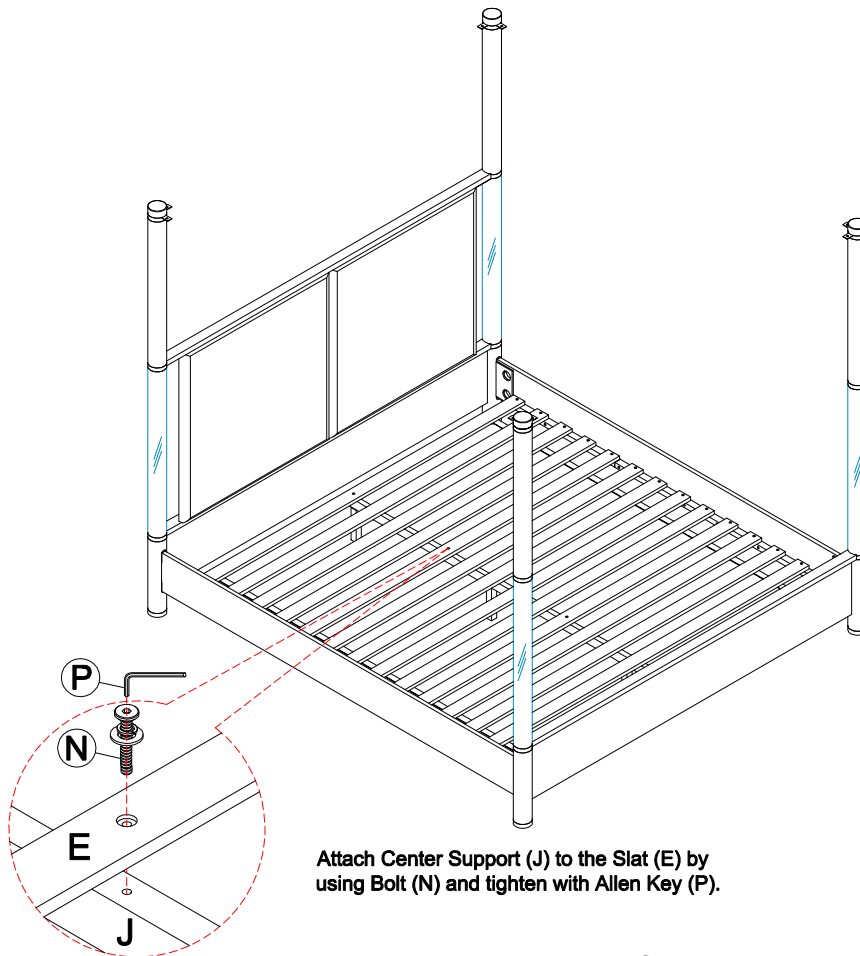
ASSEMBLY INSTRUCTION

Model : MALMO-OAK-KB-HB/FB/SR/POST

Description : King Bed

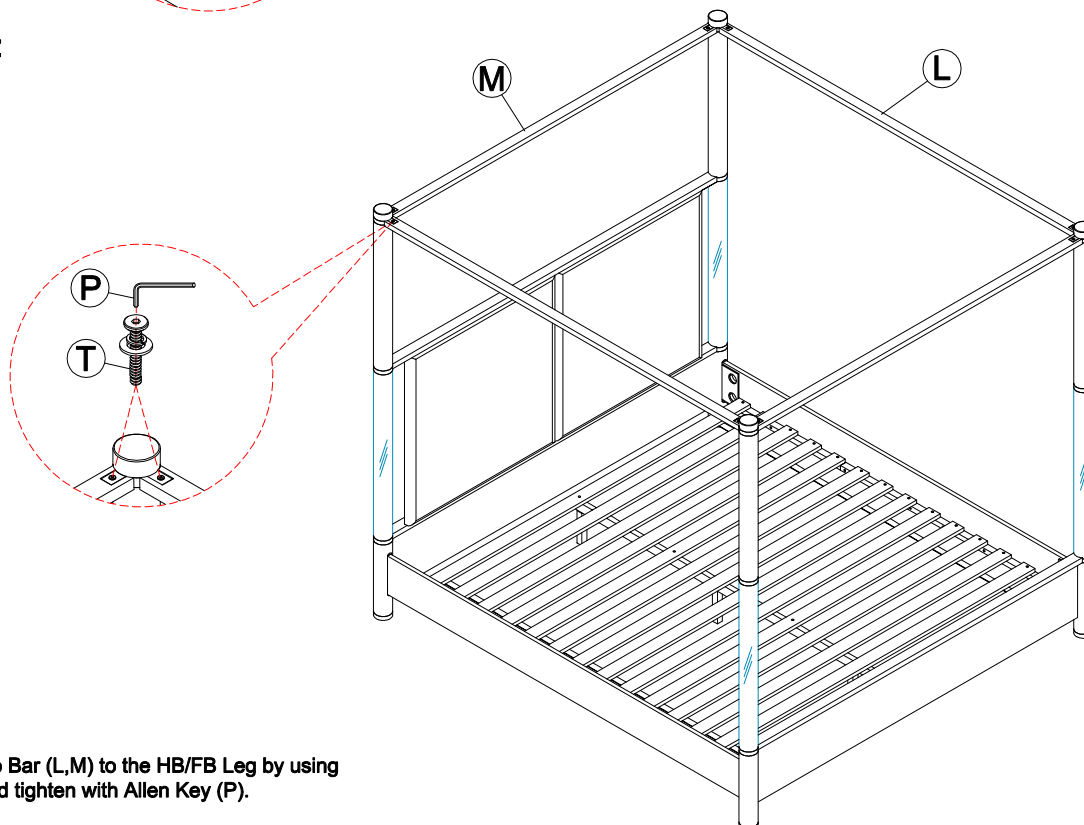
Thank you for purchasing this quality product. Be sure to check all packing materials carefully for small parts, which may have come loose inside the carton during shipment.

Step 7:



Attach Center Support (J) to the Slat (E) by using Bolt (N) and tighten with Allen Key (P).

Step 8:



Attach Top Bar (L,M) to the HB/FB Leg by using Bolt (T) and tighten with Allen Key (P).

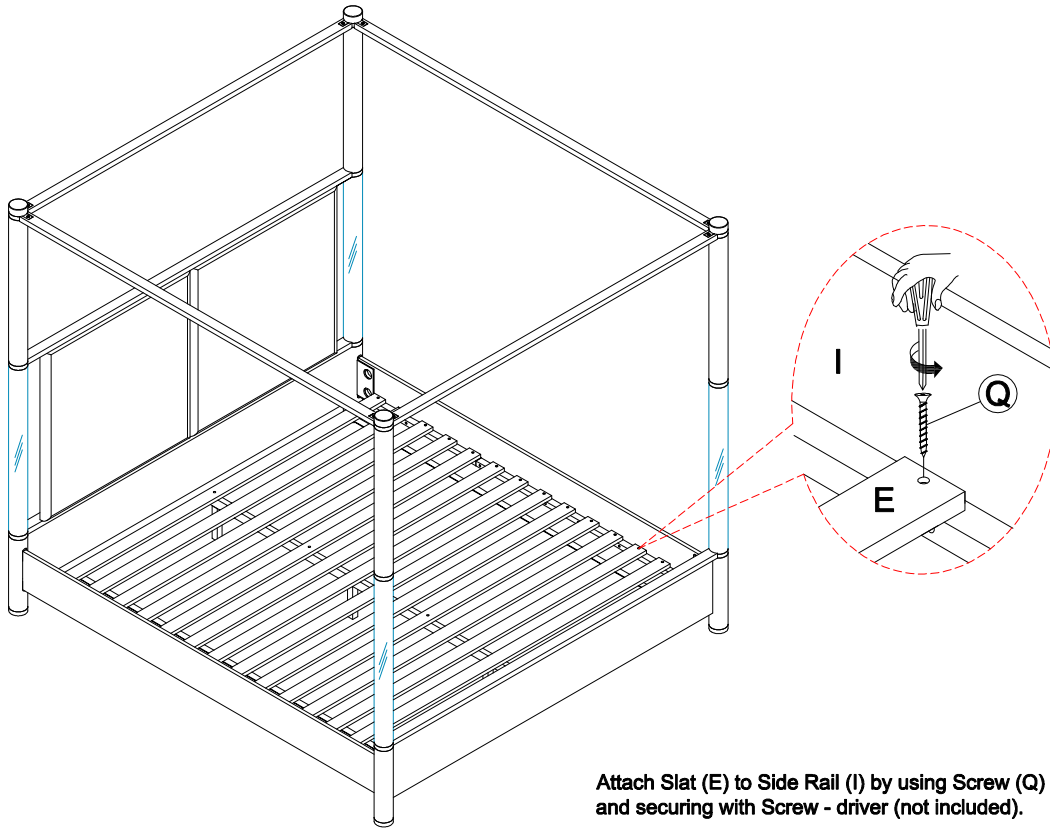
ASSEMBLY INSTRUCTION

Model : MALMO-OAK-KB-HB/FB/SR/POST

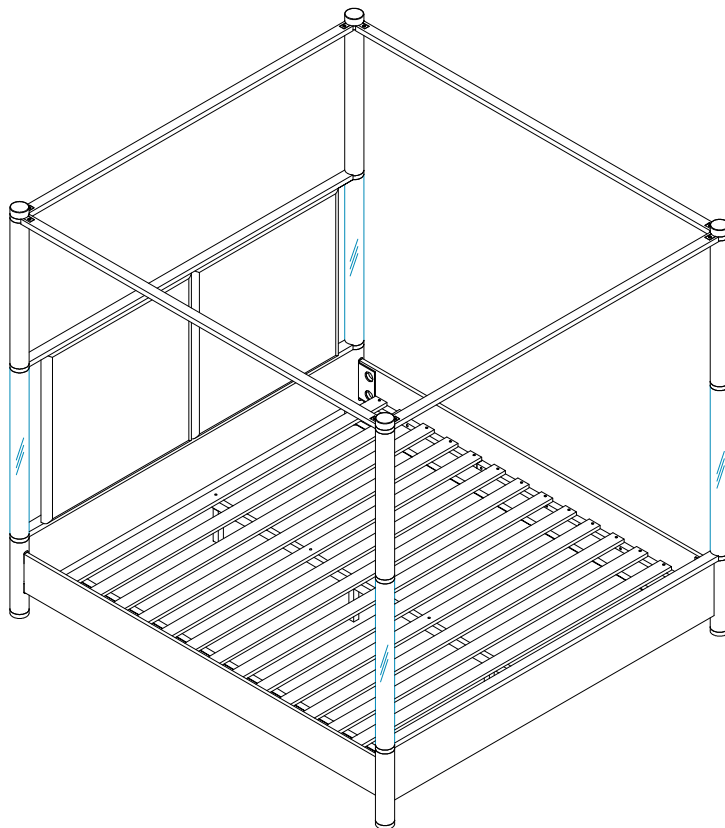
Description : King Bed

Thank you for purchasing this quality product. Be sure to check all packing materials carefully for small parts, which may have come loose inside the carton during shipment.

Step 9:



Complete



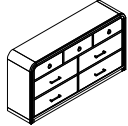
ASSEMBLY INSTRUCTION

Model : MALMO-OAK-DR



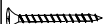
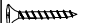
Description : Dresser

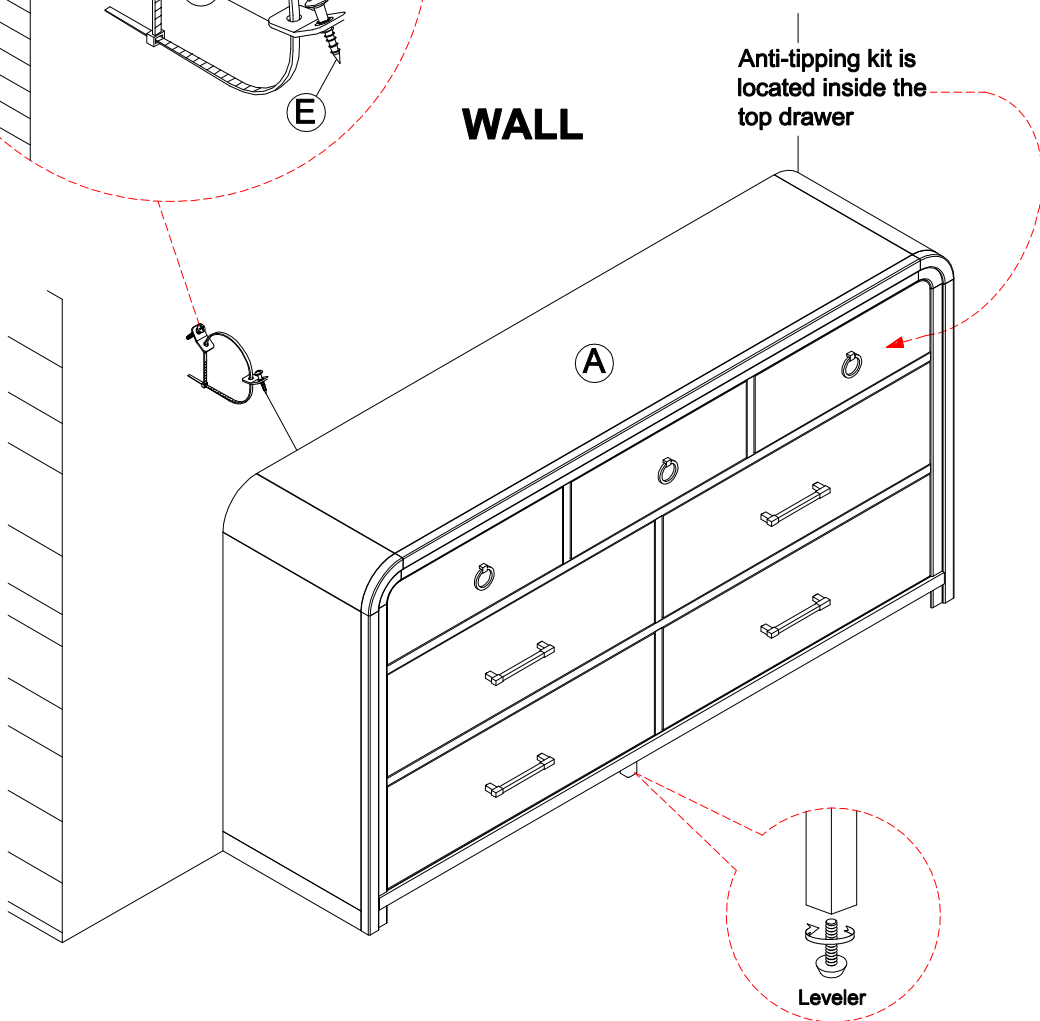
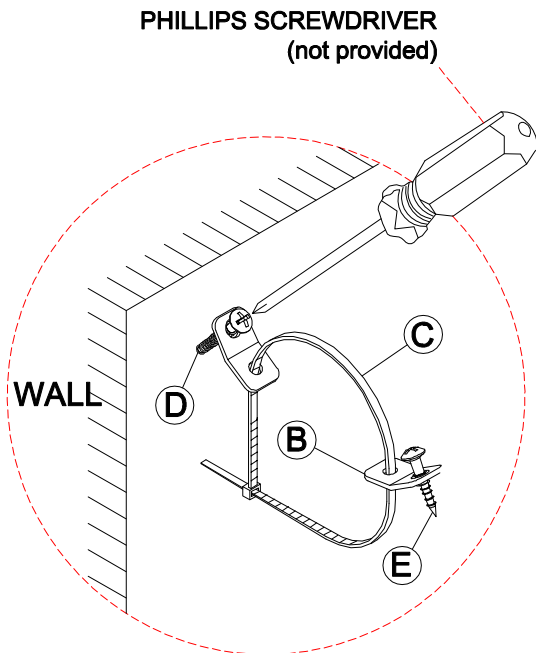
Thank you for purchasing this quality product. Be sure to check all packing materials carefully for small parts, which may have come loose inside the carton during shipment.

PART LIST:

No.	Description	Diagram	Quantity
A	Dresser		1

HARDWARE LIST:

No.	Description	Diagram	Size	Quantity
B	Bracket			2
C	Tie Wrap			1
D	Long Screw		Ø4x50mm	1
E	Short Screw		Ø4x15mm	1



The tipping restraint must be attached at back of Dresser, above and on the right or left.

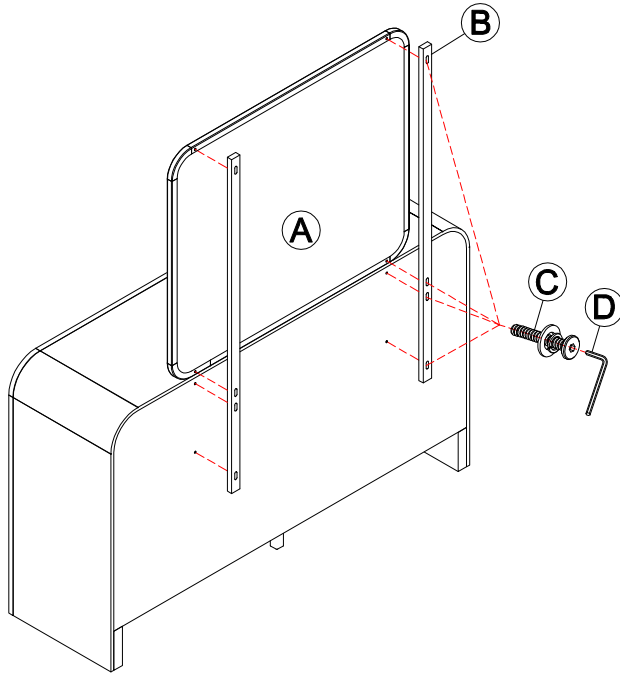
ASSEMBLY INSTRUCTION

Model : MALMO-OAK-MR



Description : Mirror

Thank you for purchasing this quality product. Be sure to check all packing materials carefully for small parts, which may have come loose inside the carton during shipment.



Step 1:



PART LIST:

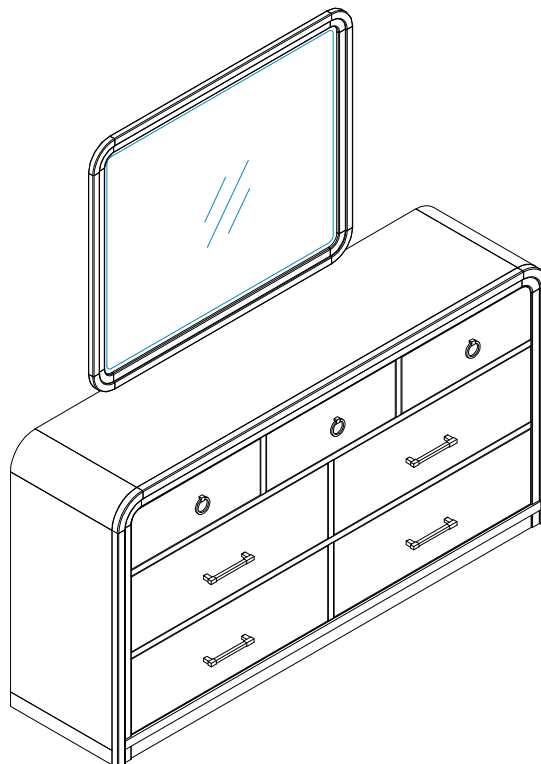
No.	Description	Diagram	Quantity
A	Mirror		1
B	Mirror Support		2

HARDWARE LIST:

No.	Description	Diagram	Size	Quantity
C	Bolt		Ø1/4"x38mm	8
D	Allen Key		M4	1

Attach Mirror Support (B) to back of Dresser, Mirror (A) by using Bolt (C) and tighten with Allen Key (D). Align holes on Mirror Support with pre-drilled holes on Dresser and Mirror.

Step 2:




ASSEMBLY INSTRUCTION

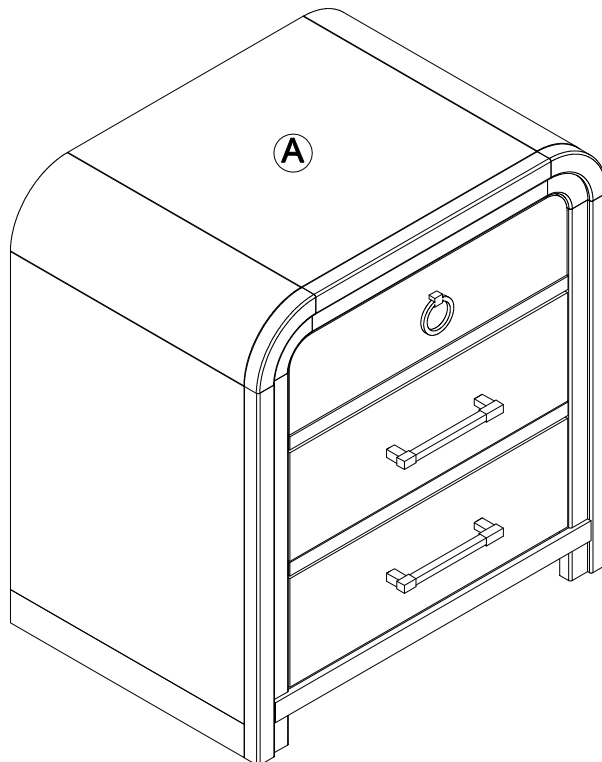
Model : MALMO-OAK-NS

Description : Nightstand

Thank you for purchasing this quality product. Be sure to check all packing materials carefully for small parts, which may have come loose inside the carton during shipment.

PART LIST:

No.	Description	Diagram	Quantity
A	Nightstand		1



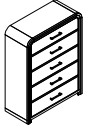
ASSEMBLY INSTRUCTION

Model : MALMO-OAK-CH



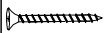
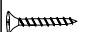
Description : Chest

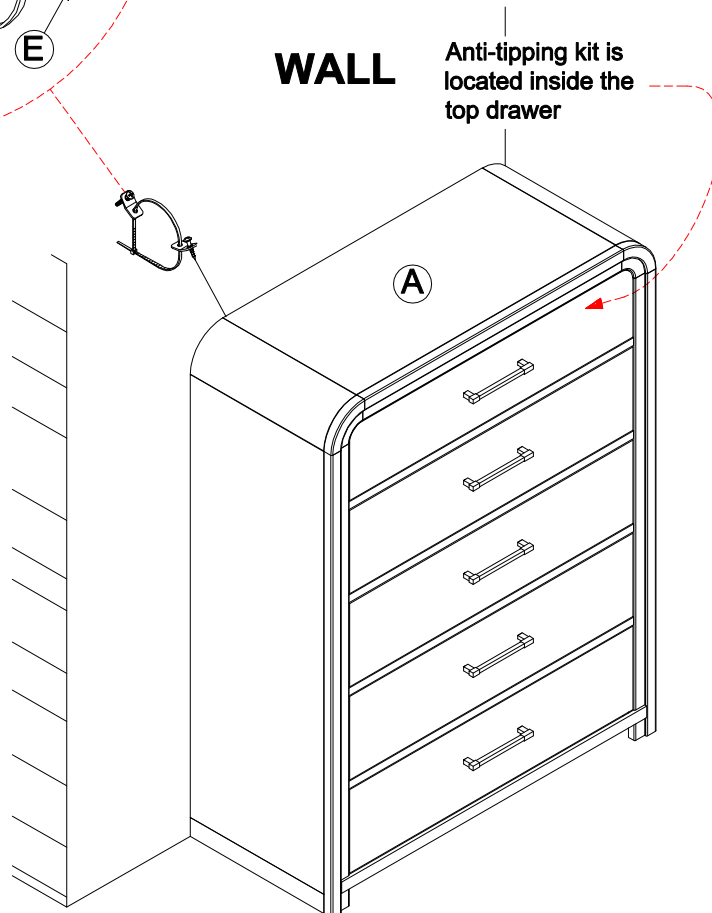
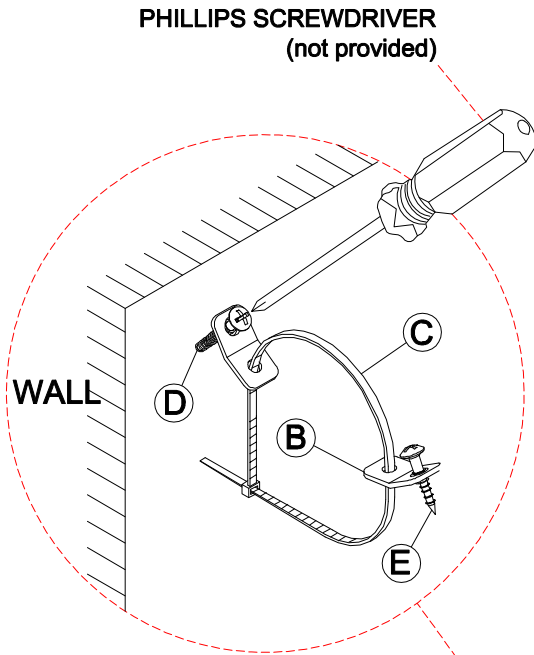
Thank you for purchasing this quality product. Be sure to check all packing materials carefully for small parts, which may have come loose inside the carton during shipment.

PART LIST:

No.	Description	Diagram	Quantity
A	Chest		1

HARDWARE LIST:

No.	Description	Diagram	Size	Quantity
B	Bracket			2
C	Tie Wrap			1
D	Long Screw		Ø4x50mm	1
E	Short Screw		Ø4x15mm	1



The tipping restraint must be attached at back of Chest, above and on the right or left.