

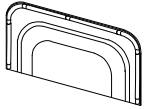
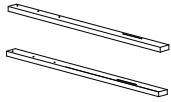
ASSEMBLY INSTRUCTION

MODEL : LYRA






DESCRIPTION : LYRA -BEIGE-QB-HB W/LED & LYRA-BEIGE-KB-HB W/LED

Thank you for purchasing this quality product. Be sure to check all packing material carefully for small parts which may have loose inside the carton during shipment. Identify and count all parts and compare with the parts list below.

PART LIST#

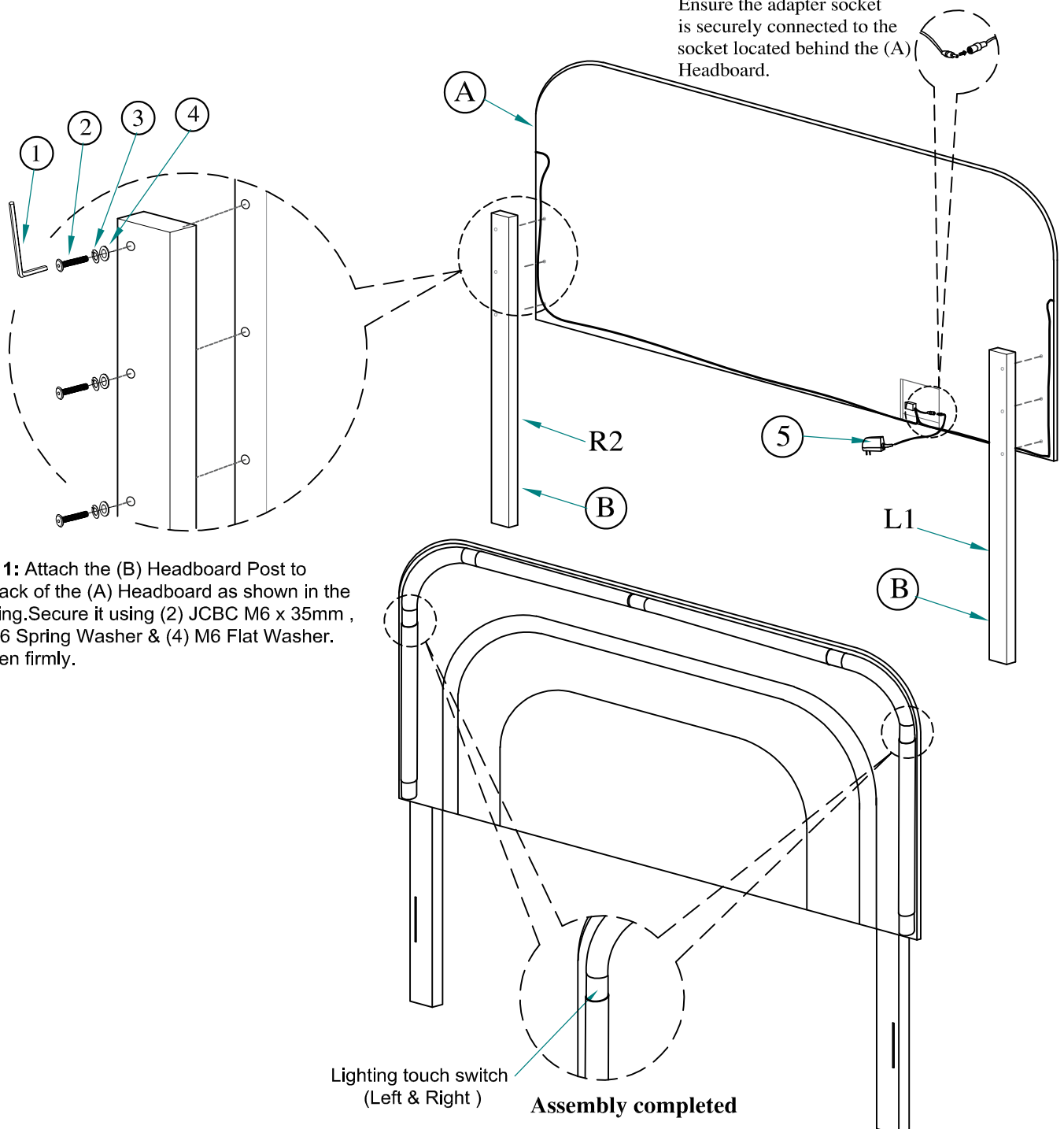
NO	NAME	PART	QTY
A	Headboard		1pc
B	Headboard Post - (L/R)		2pcs

HARDWARE LIST#

NO	NAME	PART	QTY
1	Allen key 4mm		1pc
2	JCBC M6 x 35mm		6pcs
3	M6 Spring washer		6pcs
4	M6 Flat washer		6pcs
5	AC/DC Adapter		1pc

HARDWARE LOCATED IN HEADBOARD BOX

Ensure the adapter socket is securely connected to the socket located behind the (A) Headboard.



Step 1: Attach the (B) Headboard Post to the back of the (A) Headboard as shown in the drawing. Secure it using (2) JCBC M6 x 35mm , (3) M6 Spring Washer & (4) M6 Flat Washer. Tighten firmly.

Lighting touch switch (Left & Right)

Assembly completed


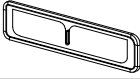
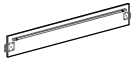
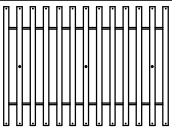
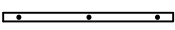
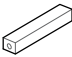

ASSEMBLY INSTRUCTION

MODEL : LYRA





DESCRIPTION : LYRA-BEIGE-QB-HB W/LED & LYRA-BEIGE-QB-FB/SLATS & LYRA-BEIGE-QB/KB-SR
LYRA-BEIGE-KB-HB W/LED & LYRA-BEIGE-KB-FB/SLATS & LYRA-BEIGE-QB/KB-SR

Thank you for purchasing this quality product. Be sure to check all packing material carefully for small parts which may have loose inside the carton during shipment. Identify and count all parts and compare with the parts list below.



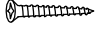

PART LIST#

NO	NAME	PART	QTY
A	Headboard		1pc
B	Footboard		1pc
C	Side Rail		2pcs
D	Roll Slat		13pcs
E	Center Vertical Slat		1pc
F	Slat Support Leg		3pcs
G	Acrylic Leg		2pcs

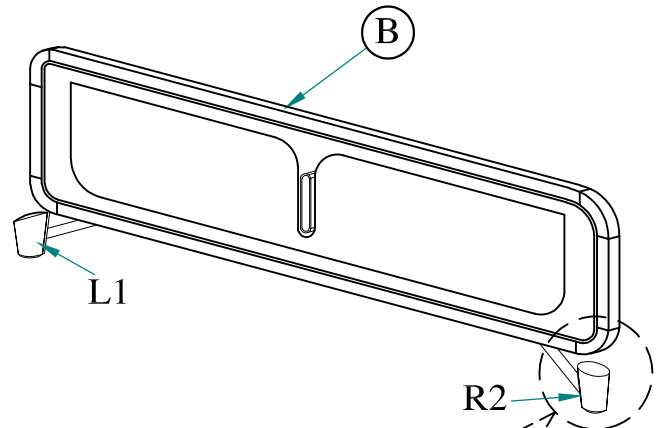
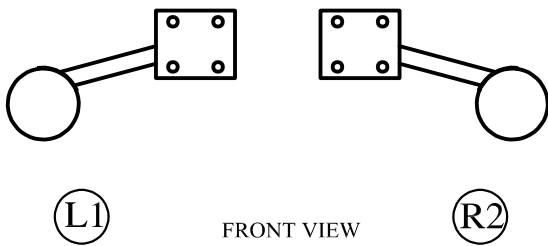
HARDWARE LIST#

NO	NAME	PART	QTY
1	Allen key 4mm		1pc
2	JCBC M6 x 20mm		8pcs
3	M6 Spring Washer		8pcs
4	M6 Flat Washer		8pcs

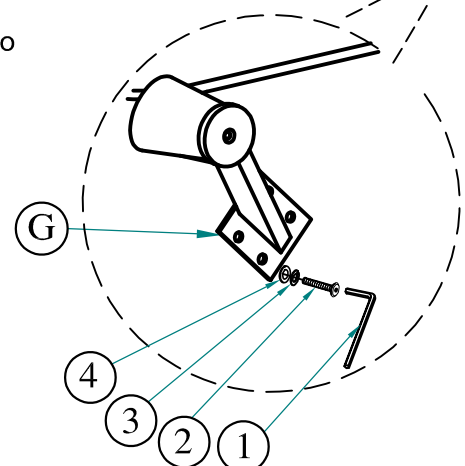
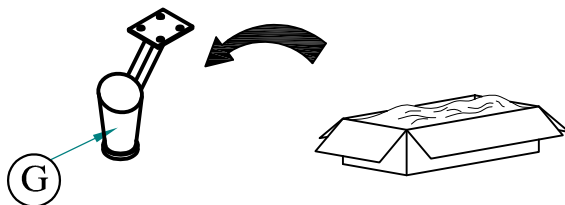
HARDWARE LOCATED IN ACRYLIC LEG BOX

5	Allen key 4mm		1pc
6	JCBC M6 x 60mm		3pcs
7	M6 Spring Washer		3pcs
8	Screw 32mm		26pcs
9	Adjustable Leveller		3pcs

HARDWARE LOCATED IN FOOTBOARD BOX

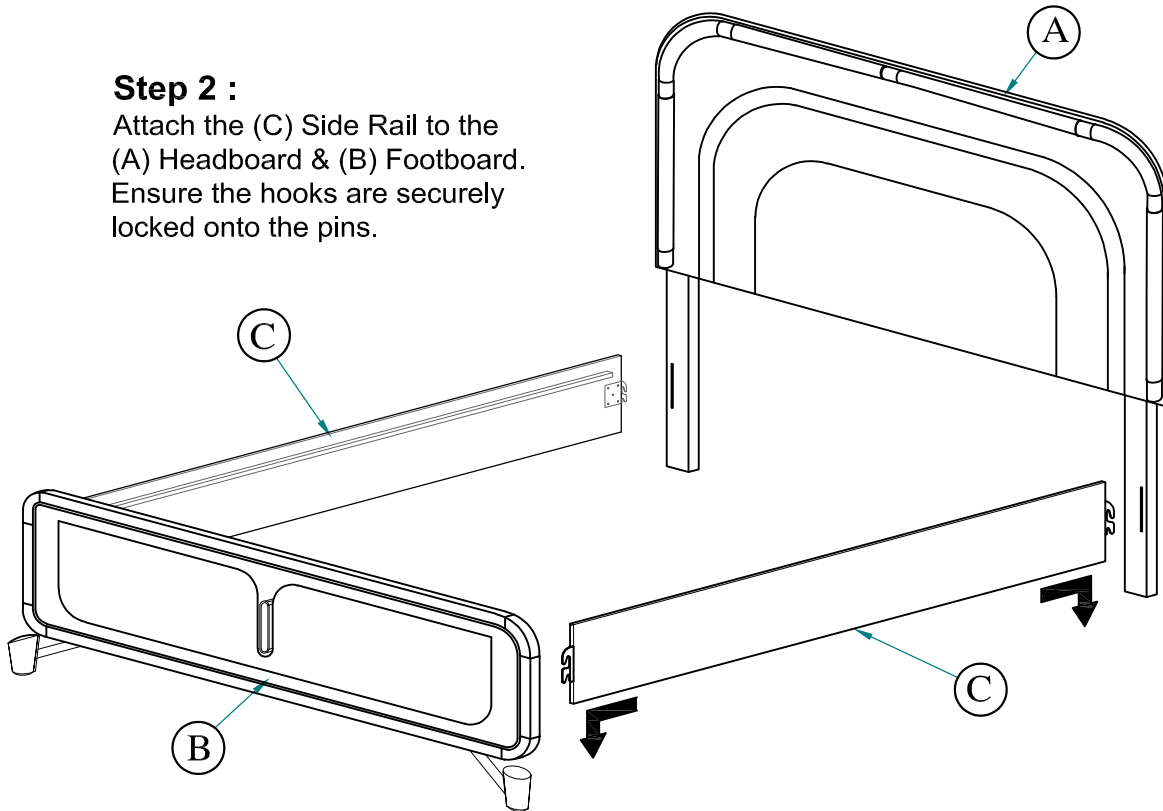


Step 1 : Secure the (G) Acrylic Leg to the bottom of (B) Footboard and tighten using (2) JCBC M6 x 20mm, (3) M6 Spring Washer & (4) M6 Flat Washer as diagram shown.



Step 2 :

Attach the (C) Side Rail to the (A) Headboard & (B) Footboard. Ensure the hooks are securely locked onto the pins.

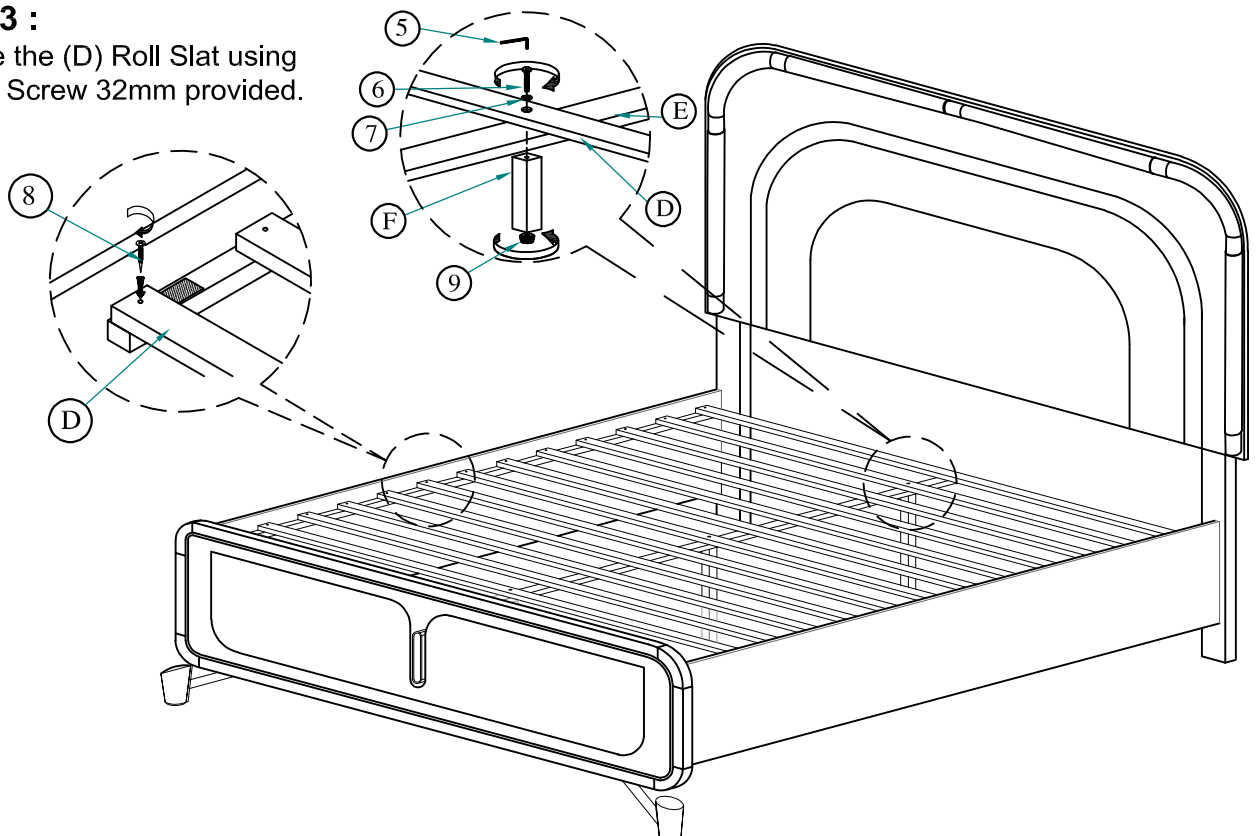


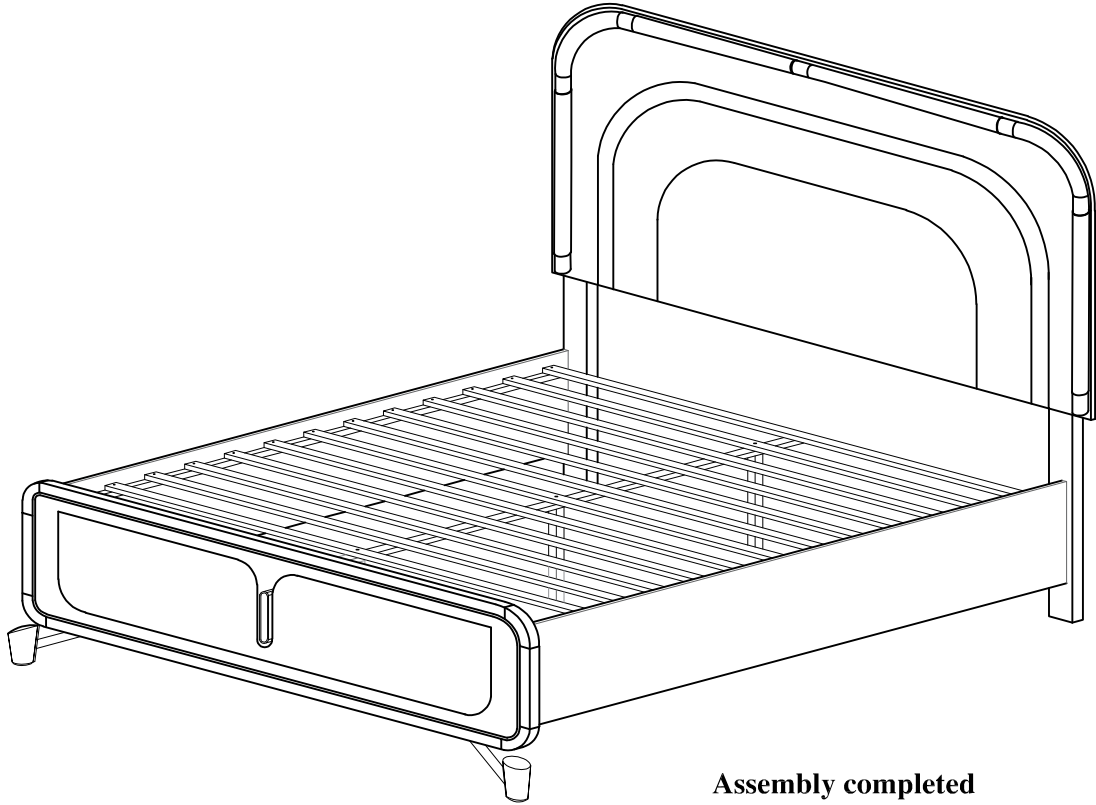
Step 4 :

Attach (F) Slat Support Leg & (E) Center Vertical Slat to the bottom of (D) Roll Slat using (6) JCBC M6 x 60mm & (7) M6 Spring Washer and tighten the JCBC with (5) Allen key. Adjust the (9) Adjustable Leveler to ensure the bed is level with the floor.

Step 3 :

Secure the (D) Roll Slat using the (8) Screw 32mm provided.





Assembly completed

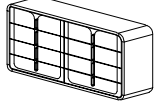




ASSEMBLY INSTRUCTION

MODEL : LYRA





DESCRIPTION : LYRA-BEIGE-DR

Thank you for purchasing this quality product. Be sure to check all packing material carefully for small parts which may have loose inside the carton during shipment. Identify and count all parts and compare with the parts list below.





PART LIST#

NO	DRAWING	DESCRIPTION	QTY
A		Dresser	1pc
B		Acrylic Leg	2pcs
C		Metal Leg	2pcs
D		Center Leg	1pc
E		Jewelry Box	2pcs

HARDWARE LIST#

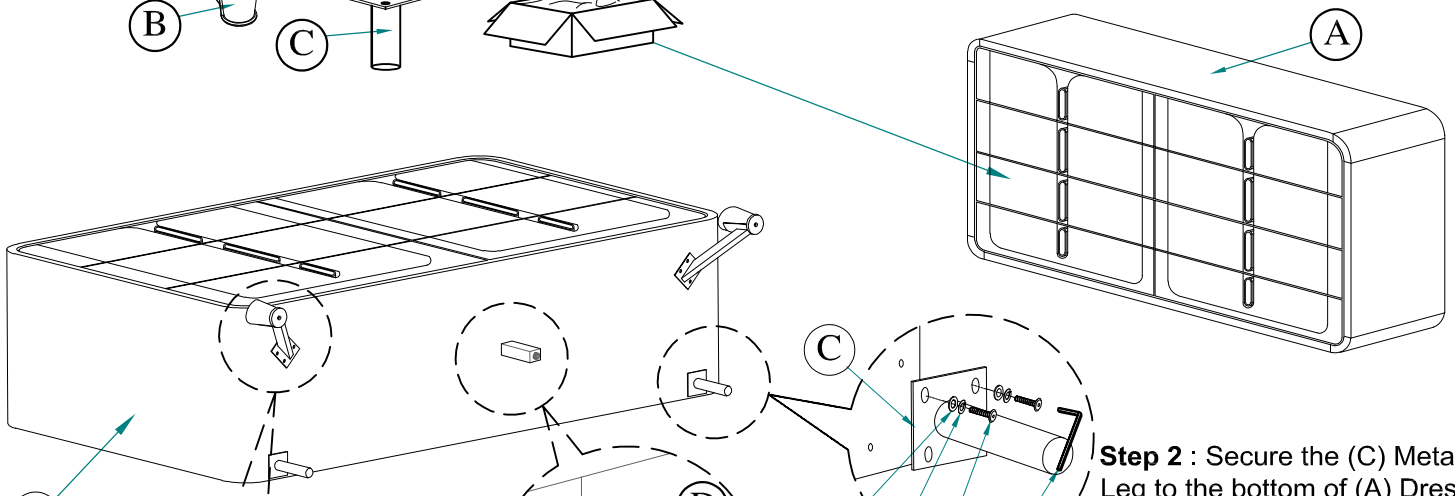
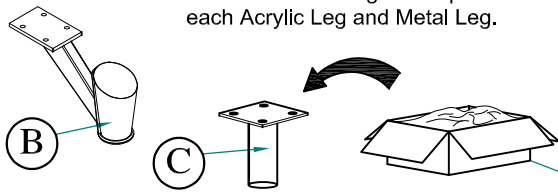
NO	NAME	PART	QTY
1	Allen Key 4mm		1pc
2	JCBC M6 x 20mm		8pcs
3	M6 Spring Washer		8pcs
4	M6 Flat Washer		8pcs

HARDWARE LOCATED IN ACRYLIC LEG BOX

5	Allen Key 4mm		1pc
6	JCBC M6 x 20mm		8pcs
7	M6 Spring Washer		8pcs
8	M6 Flat Washer		8pcs

HARDWARE LOCATED IN METAL LEG BOX

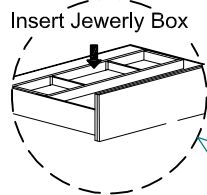
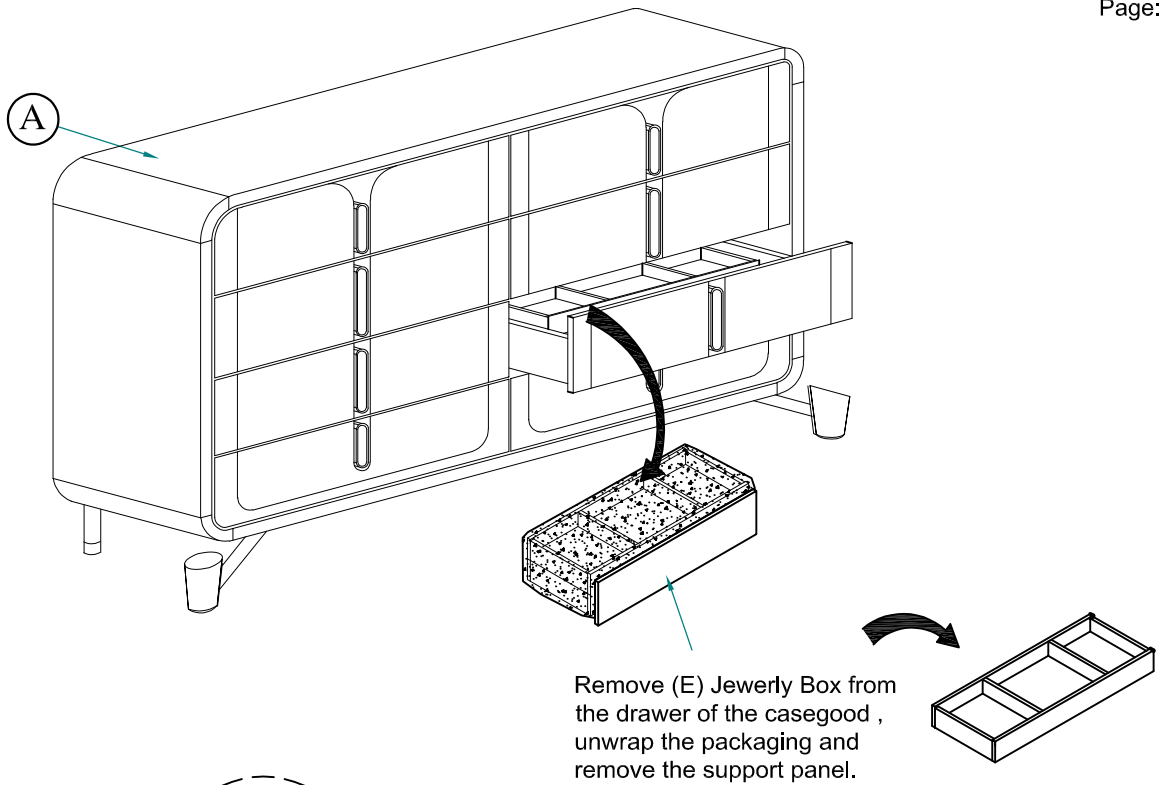
Remove (B) Acrylic Leg & (C) Metal Leg boxes from the drawer of the case good. Unpack each Acrylic Leg and Metal Leg.



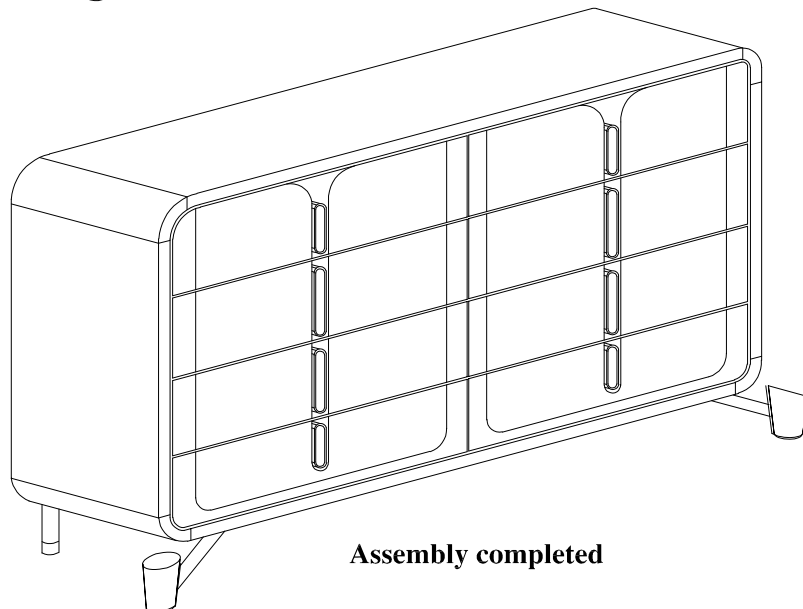
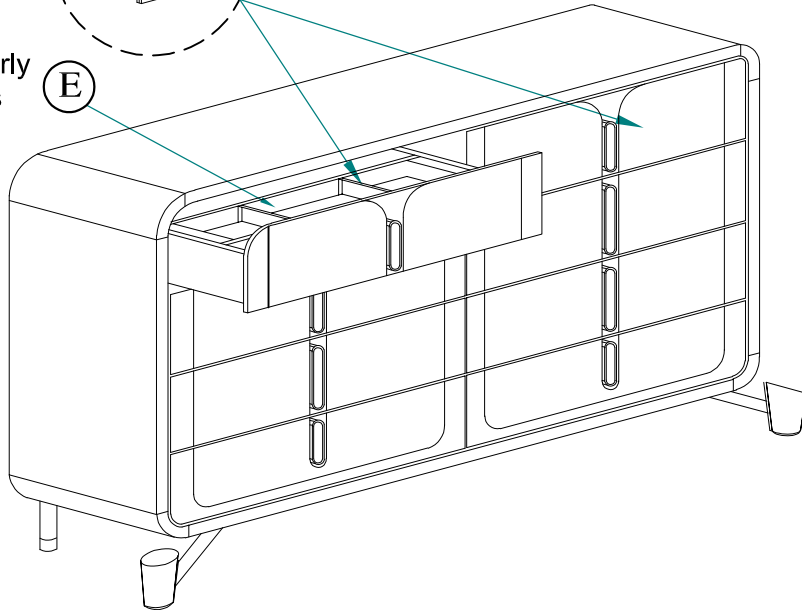
Step 2 : Secure the (C) Metal Leg to the bottom of (A) Dresser and tighten using (6) JCBC M6 x 20mm, (7) M6 Spring Washer & (8) M6 Flat Washer as diagram shown.

Step 3 : Secure the (D) Center Leg to the bottom of (A) Dresser as diagram shown.

Step 1 : Secure the (B) Acrylic Leg to the bottom of (A) Dresser and tighten using (2) JCBC M6 x 20mm, (3) M6 Spring Washer & (4) M6 Flat Washer as diagram shown.




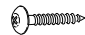


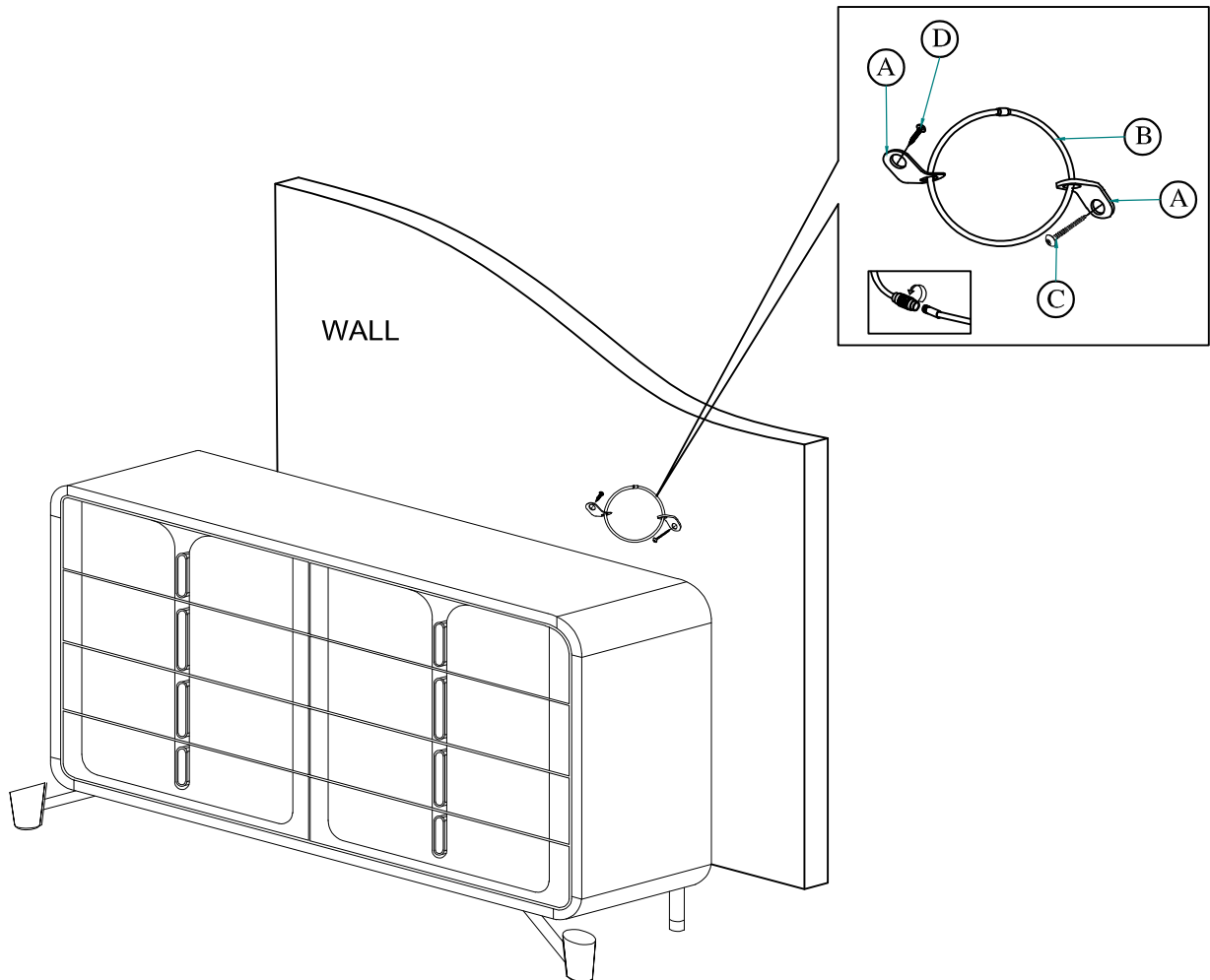
Step 4: Insert the (E) Jewelry Box into the top drawers as shown in the diagram.



Assembly completed

HARDWARE LIST (ANTI TIPPING)

NO	NAME	PART	QTY
A	Bracket		2pcs
B	Tie Wrap		1pc
C	Long Screw		1pc
D	Short Screw		1pc



Assembly completed

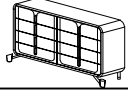
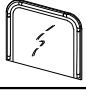

ASSEMBLY INSTRUCTION

MODEL : LYRA






DESCRIPTION : LYRA-BEIGE-DR & LYRA-BEIGE-MR W/LED

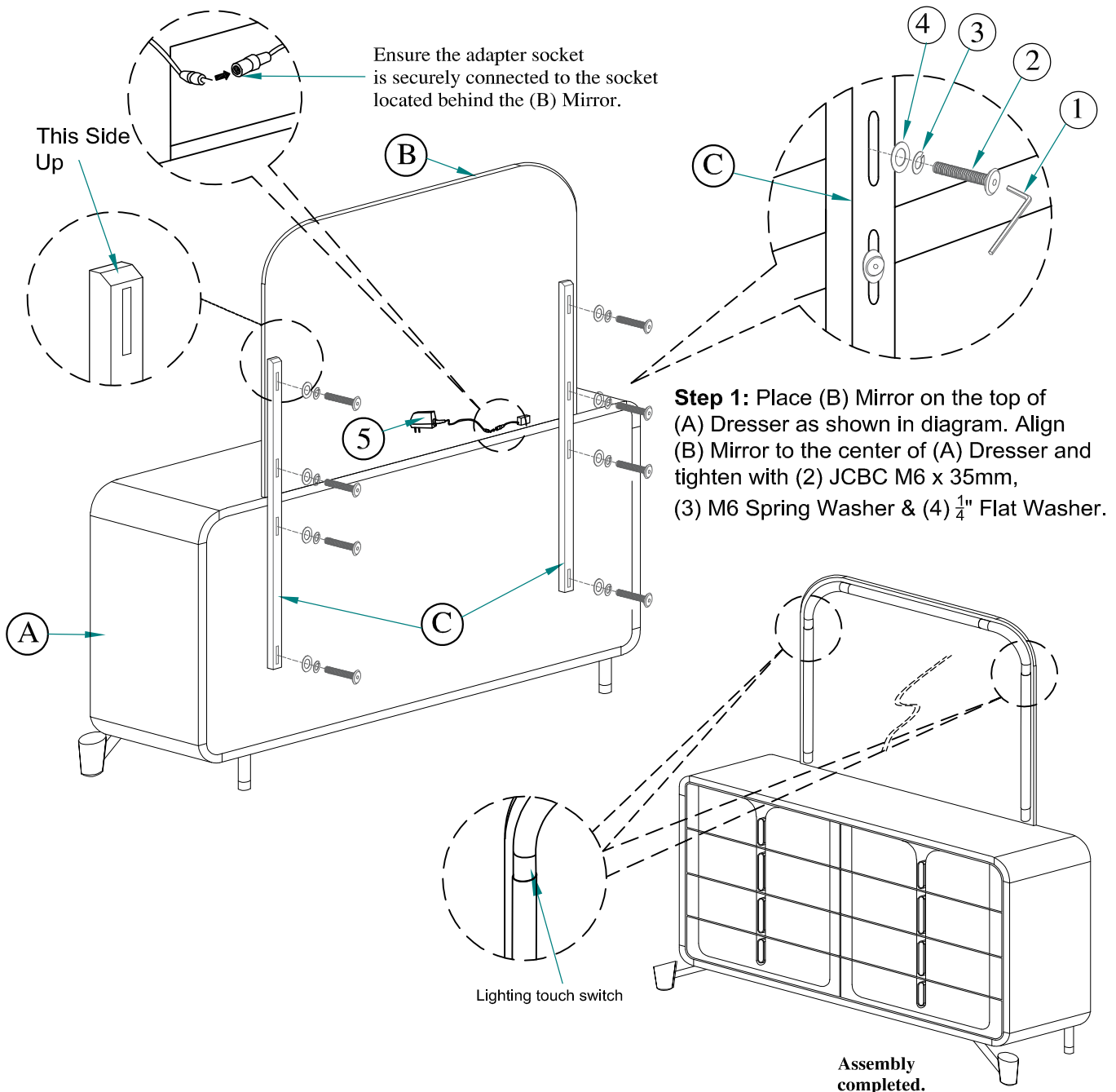
Thank you for purchasing this quality product. Be sure to check all packing material carefully for small parts which may have loose inside the carton during shipment. Identify and count all parts and compare with the parts list below.

PART LIST#

NO	NAME	PART	QTY
A	Dresser		1pc
B	Mirror		1pc
C	Mirror Support		2pcs

HARDWARE LIST#

NO	NAME	PART	QTY
1	Allen key 4mm		1pc
2	JCBC M6 x 35mm		8pcs
3	M6 Spring washer		8pcs
4	1/4" Flat washer		8pcs
5	AC/DC Adapter		1pc
HARDWARE LOCATED IN MIRROR BOX			



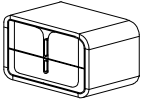


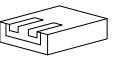
ASSEMBLY INSTRUCTION

MODEL : LYRA









DESCRIPTION : LYRA-BEIGE-NS W/USB

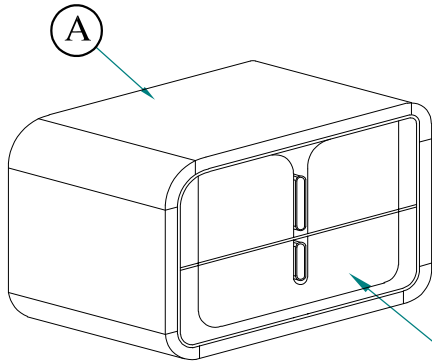
Thank you for purchasing this quality product. Be sure to check all packing material carefully for small parts which may have loose inside the carton during shipment. Identify and count all parts and compare with the parts list below.

PART LIST#

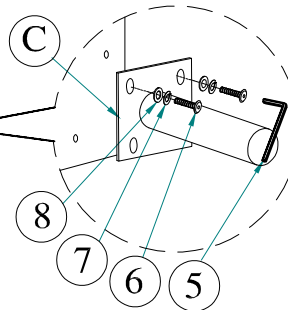
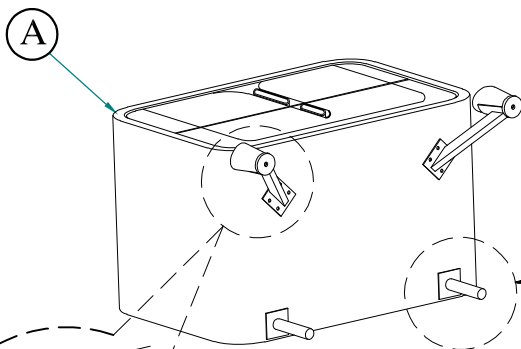
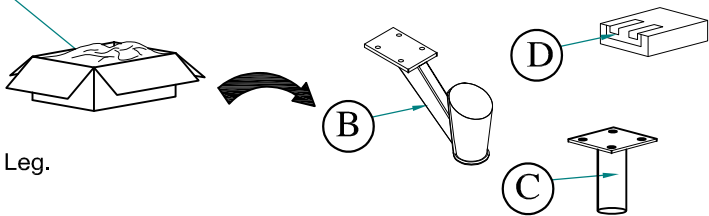
NO	DRAWING	DESCRIPTION	QTY
A		Night Stand	1pc
B		Acrylic Leg	2pcs
C		Metal Leg	2pcs
D		Plug	1pc

HARDWARE LIST#

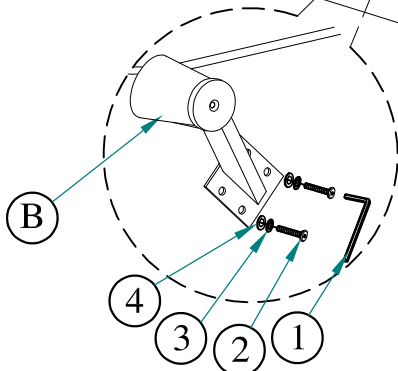
NO	NAME	PART	QTY
1	Allen Key 4mm		1pc
2	JCBC M6 x 20mm		8pcs
3	M6 Spring Washer		8pcs
4	M6 Flat Washer		8pcs
HARDWARE LOCATED IN ACRYLIC LEG BOX			
5	Allen Key 4mm		1pc
6	JCBC M6 x 20mm		8pcs
7	M6 Spring Washer		8pcs
8	M6 Flat Washer		8pcs
HARDWARE LOCATED IN METAL LEG BOX			



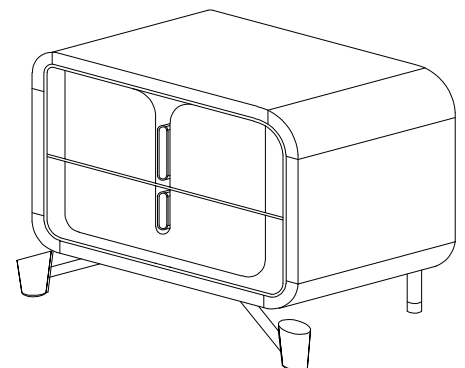
Remove (B) Acrylic Leg ,(C) Metal leg & (D) Plug boxes from the bottom drawer of the casegood. Unpack each Acrylic Leg and Metal Leg.



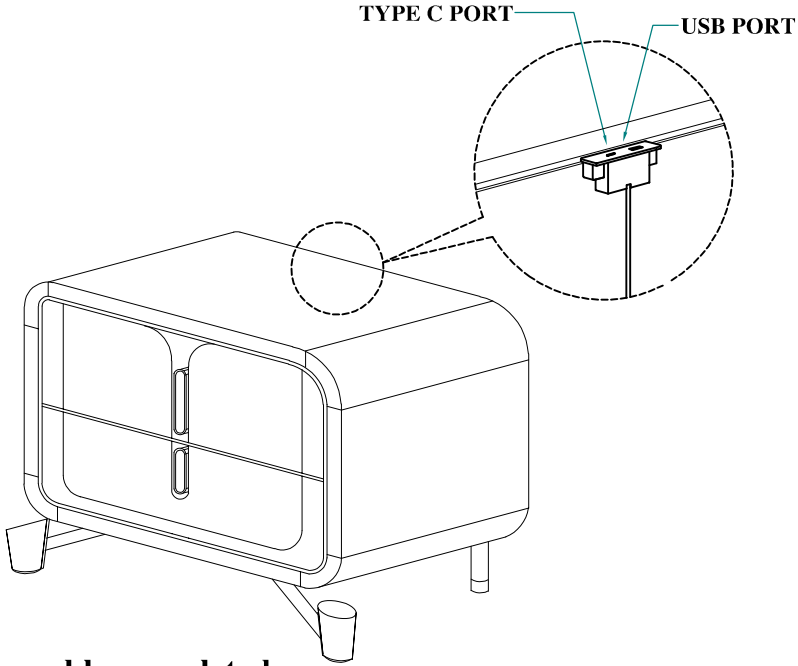
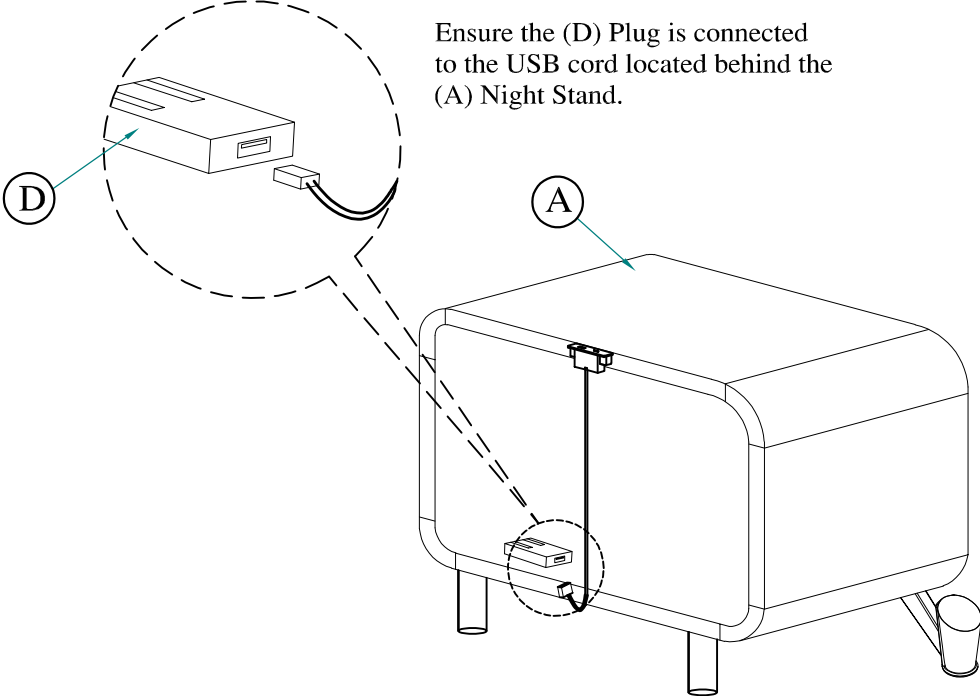
Step 2 : Secure the (C) Metal Leg to the bottom of (A) Night Stand and tighten using (6) JCBC M6 x 20mm, (7) M6 Spring Washer & (8) M6 Flat Washer as diagram shown.



Step 1 : Secure the (B) Acrylic Leg to the bottom of (A) Night Stand and tighten using (2) JCBC M6 x 20mm, (3) M6 Spring Washer & (4) M6 Flat Washer as diagram shown.



Assembly completed



Assembly completed

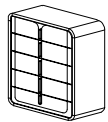


ASSEMBLY INSTRUCTION

MODEL : LYRA





DESCRIPTION : LYRA-BEIGE-CH

Thank you for purchasing this quality product. Be sure to check all packing material carefully for small parts which may have loose inside the carton during shipment. Identify and count all parts and compare with the parts list below.





PART LIST#

NO	DRAWING	DESCRIPTION	QTY
A		Chest	1pc
B		Acrylic Leg	2pcs
C		Metal Leg	2pcs

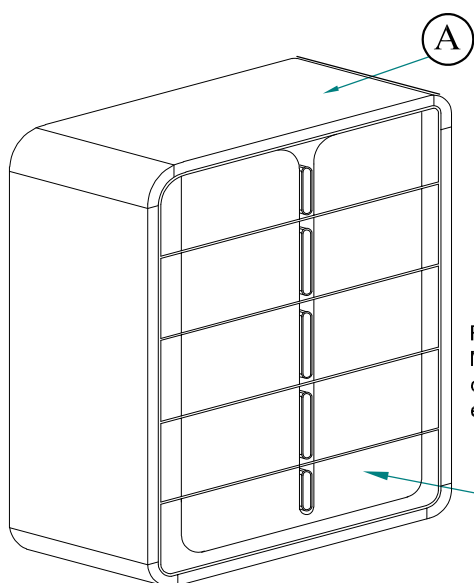
HARDWARE LIST#

NO	NAME	PART	QTY
1	Allen Key 4mm		1pc
2	JCBC M6 x 20mm		8pcs
3	M6 Spring Washer		8pcs
4	M6 Flat Washer		8pcs

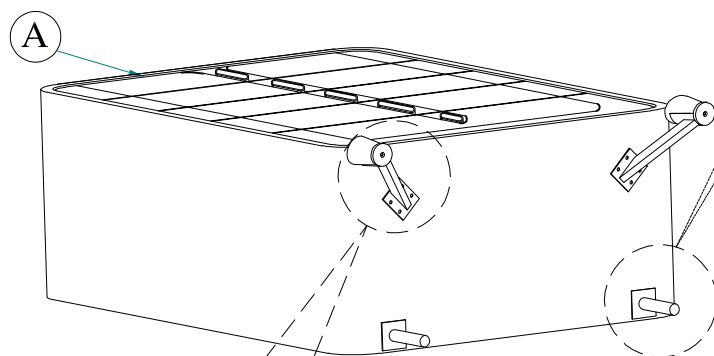
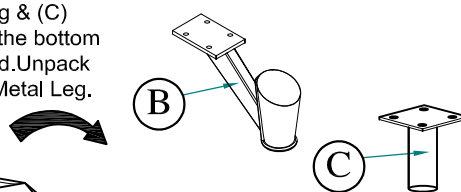
HARDWARE LOCATED IN ACRYLIC LEG BOX

5	Allen Key 4mm		1pc
6	JCBC M6 x 20mm		8pcs
7	M6 Spring Washer		8pcs
8	M6 Flat Washer		8pcs

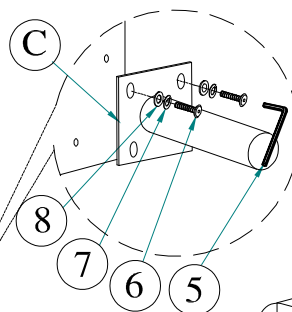
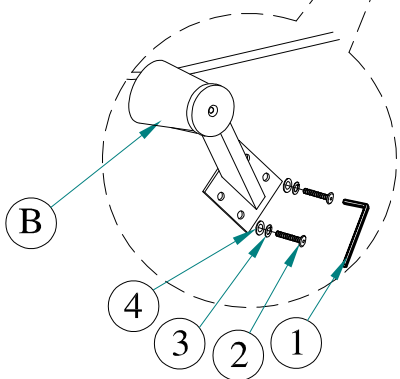
HARDWARE LOCATED IN METAL LEG BOX



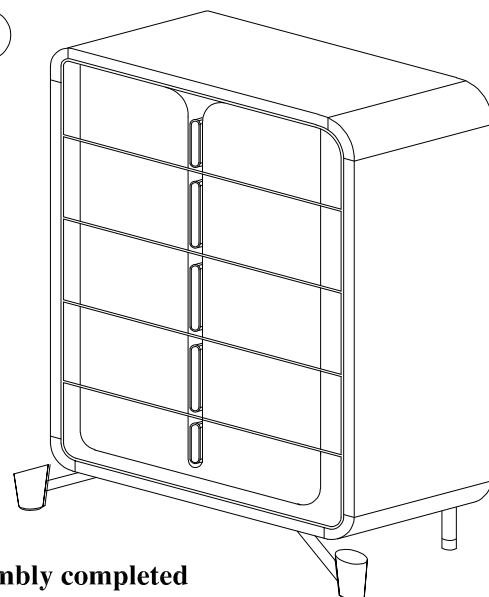
Remove (B) Acrylic Leg & (C) Metal Leg boxes from the bottom drawer of the case good. Unpack each Acrylic Leg and Metal Leg.



Step 1 : Secure the (B) Acrylic Leg to the bottom of (A) Chest and tighten using (2) JCBC M6 x 20mm, (3) M6 Spring Washer & (4) M6 Flat Washer as diagram shown.




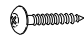


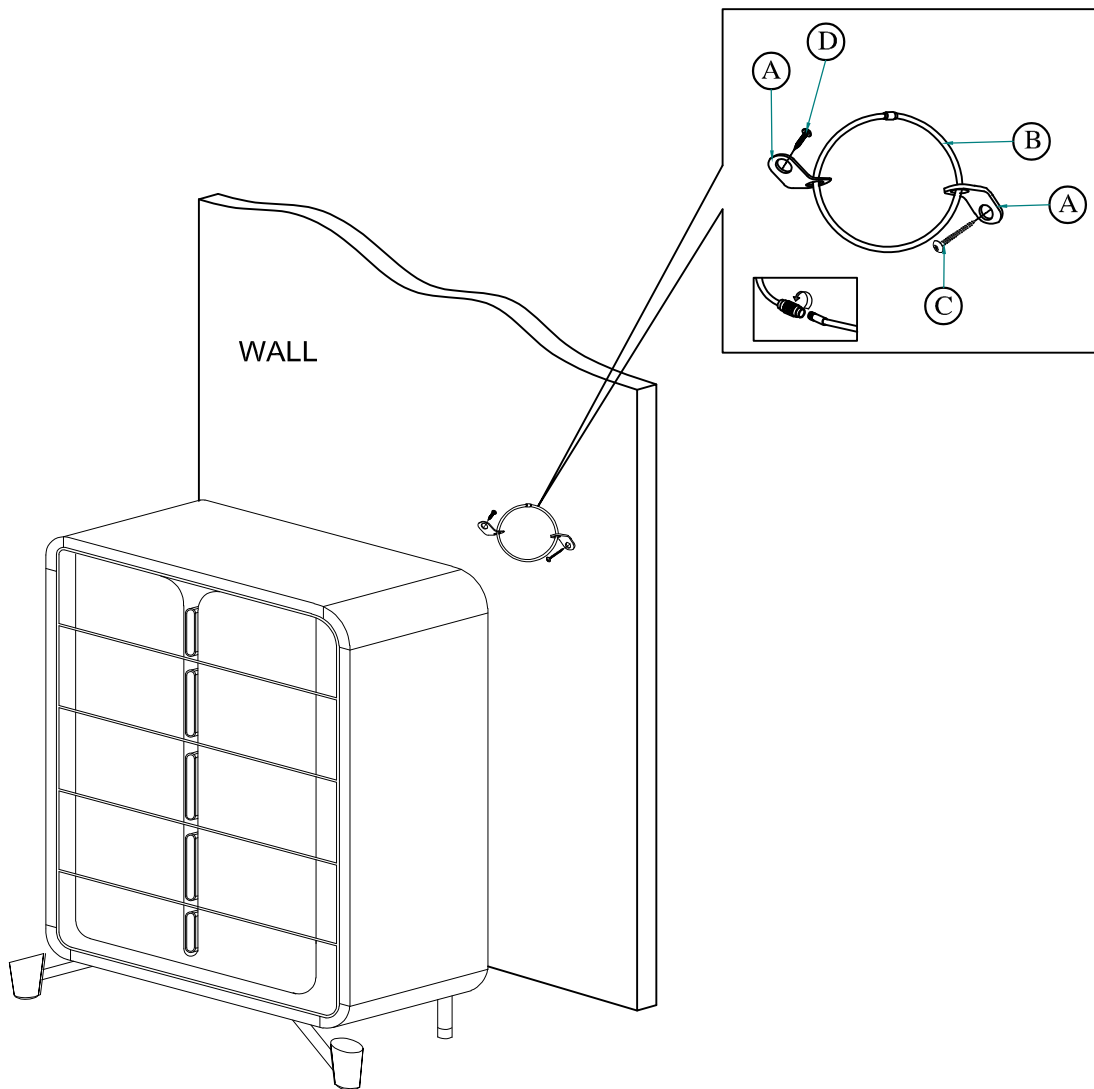
Step 2 : Secure the (C) Metal Leg to the bottom of (A) Chest and tighten using (6) JCBC M6 x 20mm, (7) M6 Spring Washer & (8) M6 Flat Washer as diagram shown.



Assembly completed

HARDWARE LIST (ANTI TIPPING)

NO	NAME	PART	QTY
A	Bracket		2pcs
B	Tie Wrap		1pc
C	Long Screw		1pc
D	Short Screw		1pc



Assembly completed