

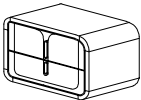



ASSEMBLY INSTRUCTION

MODEL : LYRA









DESCRIPTION : LYRA-BEIGE-NS W/USB

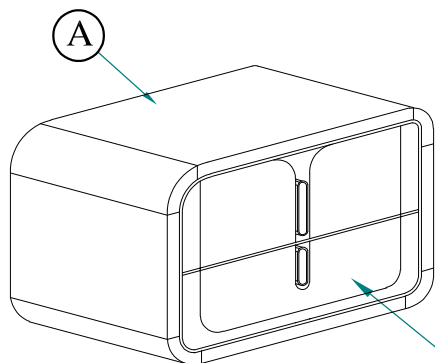
Thank you for purchasing this quality product. Be sure to check all packing material carefully for small parts which may have loose inside the carton during shipment. Identify and count all parts and compare with the parts list below.

PART LIST#

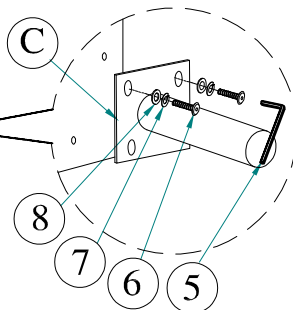
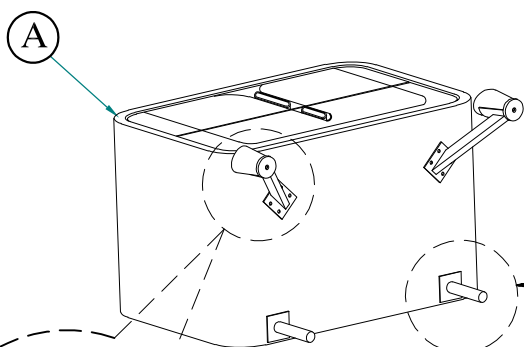
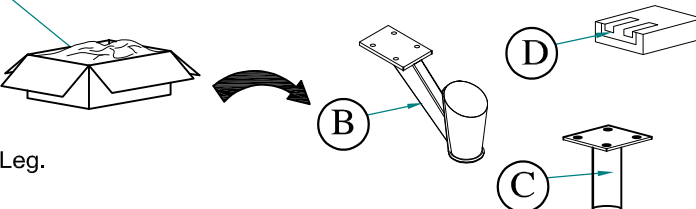
NO	DRAWING	DESCRIPTION	QTY
A		Night Stand	1pc
B		Acrylic Leg	2pcs
C		Metal Leg	2pcs
D		Plug	1pc

HARDWARE LIST#

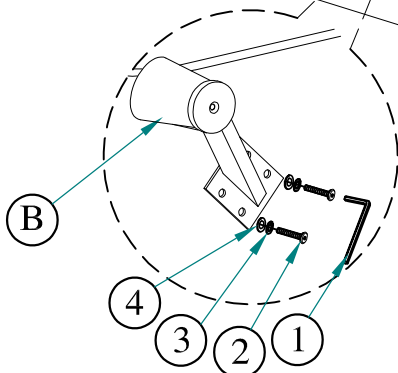
NO	NAME	PART	QTY
1	Allen Key 4mm		1pc
2	JCBC M6 x 20mm		8pcs
3	M6 Spring Washer		8pcs
4	M6 Flat Washer		8pcs
HARDWARE LOCATED IN ACRYLIC LEG BOX			
5	Allen Key 4mm		1pc
6	JCBC M6 x 20mm		8pcs
7	M6 Spring Washer		8pcs
8	M6 Flat Washer		8pcs
HARDWARE LOCATED IN METAL LEG BOX			



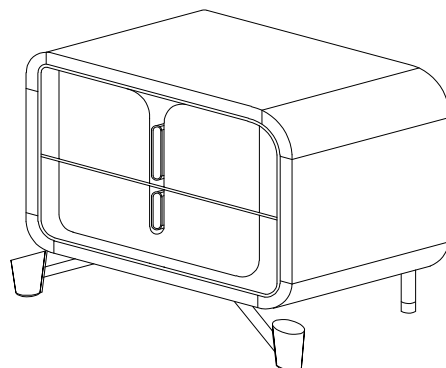
Remove (B) Acrylic Leg ,(C) Metal leg & (D) Plug boxes from the bottom drawer of the casegood. Unpack each Acrylic Leg and Metal Leg.



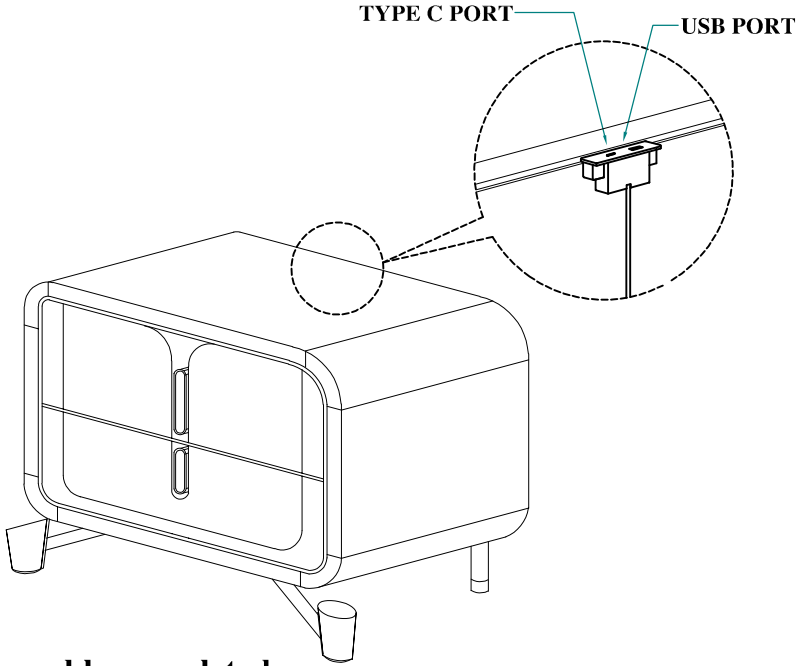
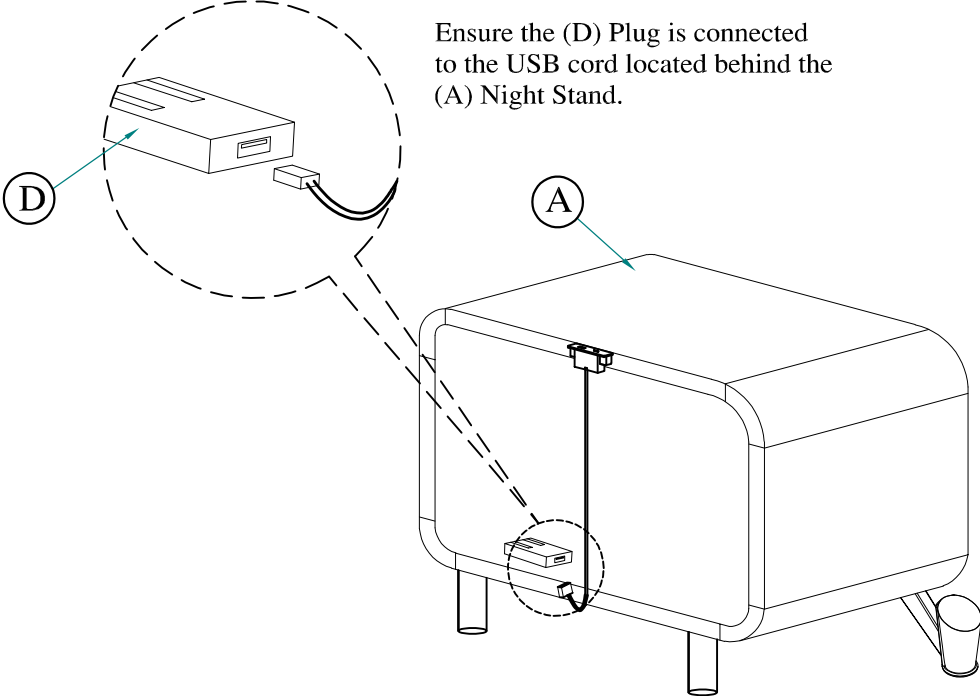
Step 2 : Secure the (C) Metal Leg to the bottom of (A) Night Stand and tighten using (6) JCBC M6 x 20mm, (7) M6 Spring Washer & (8) M6 Flat Washer as diagram shown.



Step 1 : Secure the (B) Acrylic Leg to the bottom of (A) Night Stand and tighten using (2) JCBC M6 x 20mm, (3) M6 Spring Washer & (4) M6 Flat Washer as diagram shown.



Assembly completed



Assembly completed