

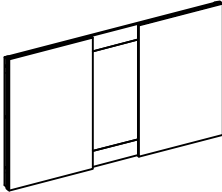
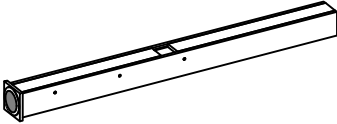
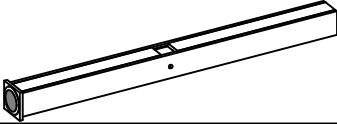
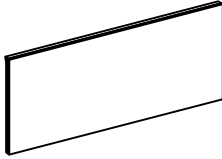
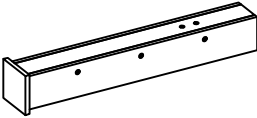
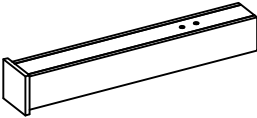
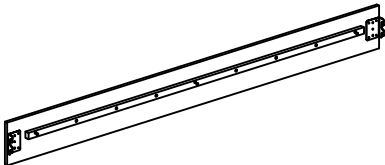


# LOGAN FB/QB ASSEMBLY INSTRUCTIONS

Thank you for purchasing this quality product. Be sure any small parts and hardware not for children under 3 years. Adult assembly required.

**"DO NOT TIGHTEN SCREWS UNTIL COMPLETELY ASSEMBLED"**

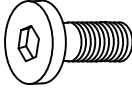
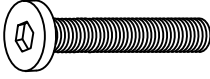
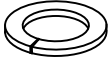
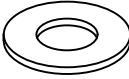





**"DO NOT OVER TIGHT ANY HARDWARE"**

## PART LIST

ITEM	DESCRIPTION	DRAWING	QTY
A	HEADBOARD		1 PC
B	HADBOARD LEG - LEFT		1 PC
C	HEADBOARD LEG - RIGHT		1 PC
D	FOOTBOARD		1 PC
E	FOOTBOARD LEG - LEFT		1 PC
F	FOOTBOARD LEG - RIGHT		1 PC
G	SIDE RAIL		2 PCS
H	BED SLAT		4 PCS
I	BED SLAT SUPPORT		4 PCS

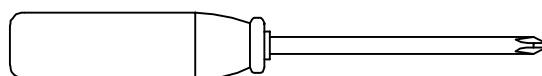
# LOGAN FB/QB ASSEMBLY INSTRUCTIONS

## HARDWARE LIST

ITEM	DESCRIPTION	DRAWING	QTY
1	JCBB SCREW (M8 x 16MM)		8 PCS
2	JCBC SCREW (M6 x 40MM)		12 PCS
3	SPRING WASHER (M6 x 13MM)		12 PCS
4	FLAT WASHER (M6 x 19MM)		12 PCS
5	CSK C/B SCREW (M4 x 32MM)		8 PCS
6	ALLEN KEY M4		1 PC
7	ALLEN KEY M5		1 PC
8	LED WIRE CONNECTOR		1 PC
9	AUDIO WIRE CONNECTOR		1 PC

## ASSEMBLY TOOLS REQUIRED

**1. Screwdriver (not provide)**

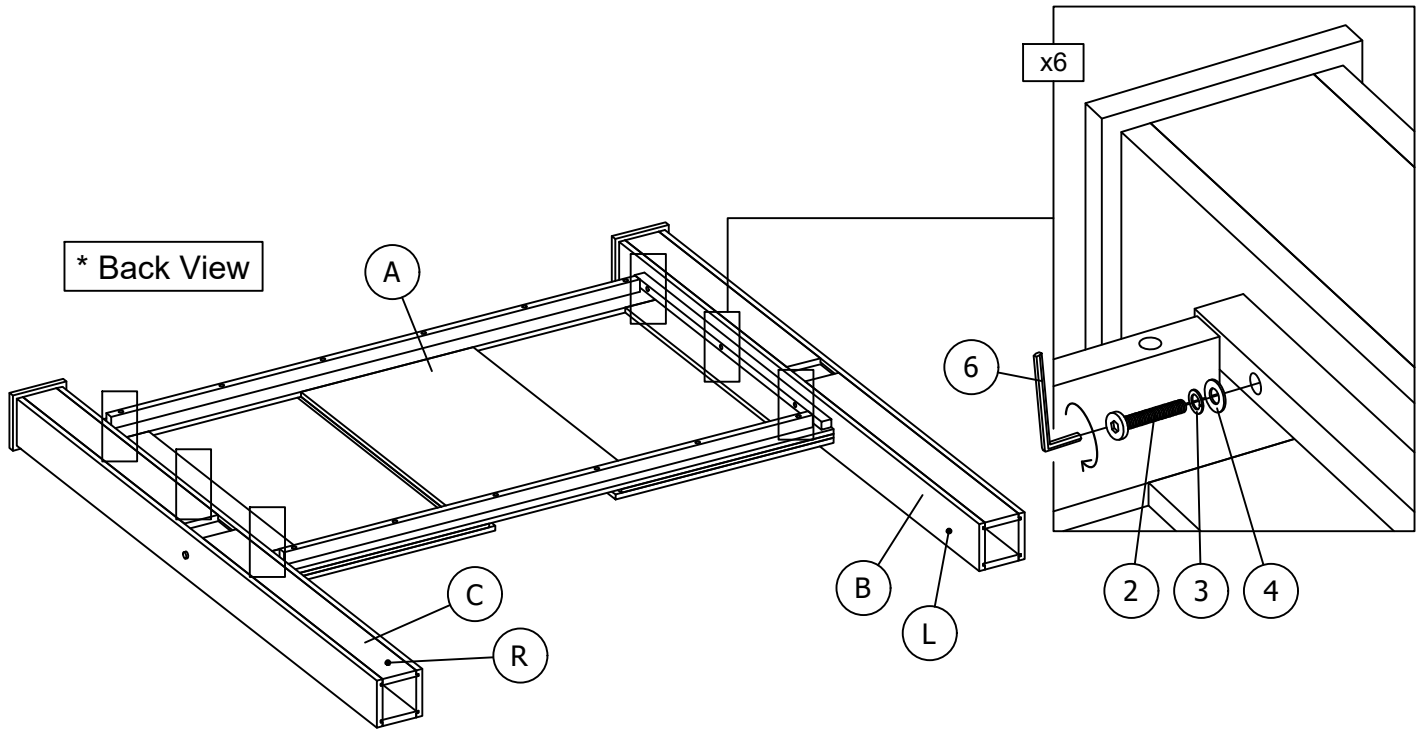


# LOGAN FB/QB ASSEMBLY INSTRUCTIONS

## ASSEMBLY STEPS

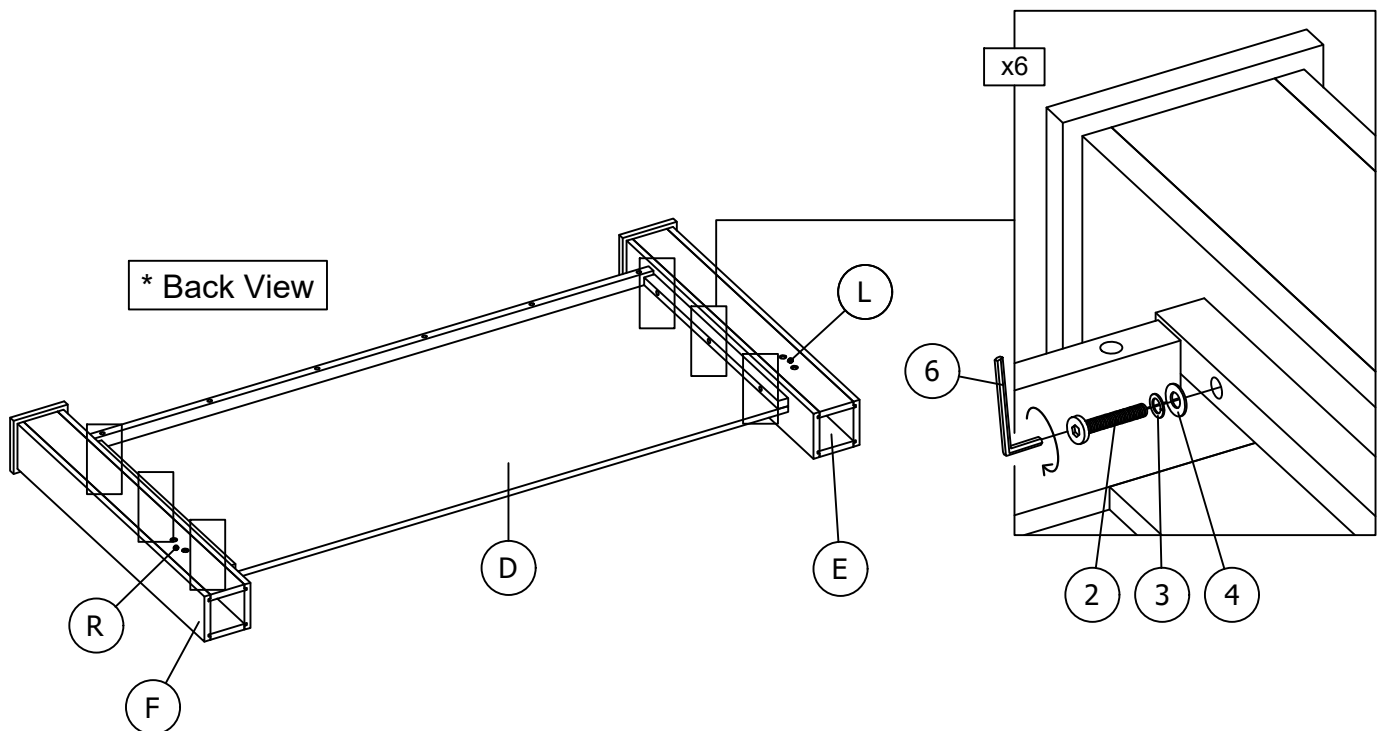
### STEP 1

This step needs to be done six times.



### STEP 2

This step needs to be done six times.



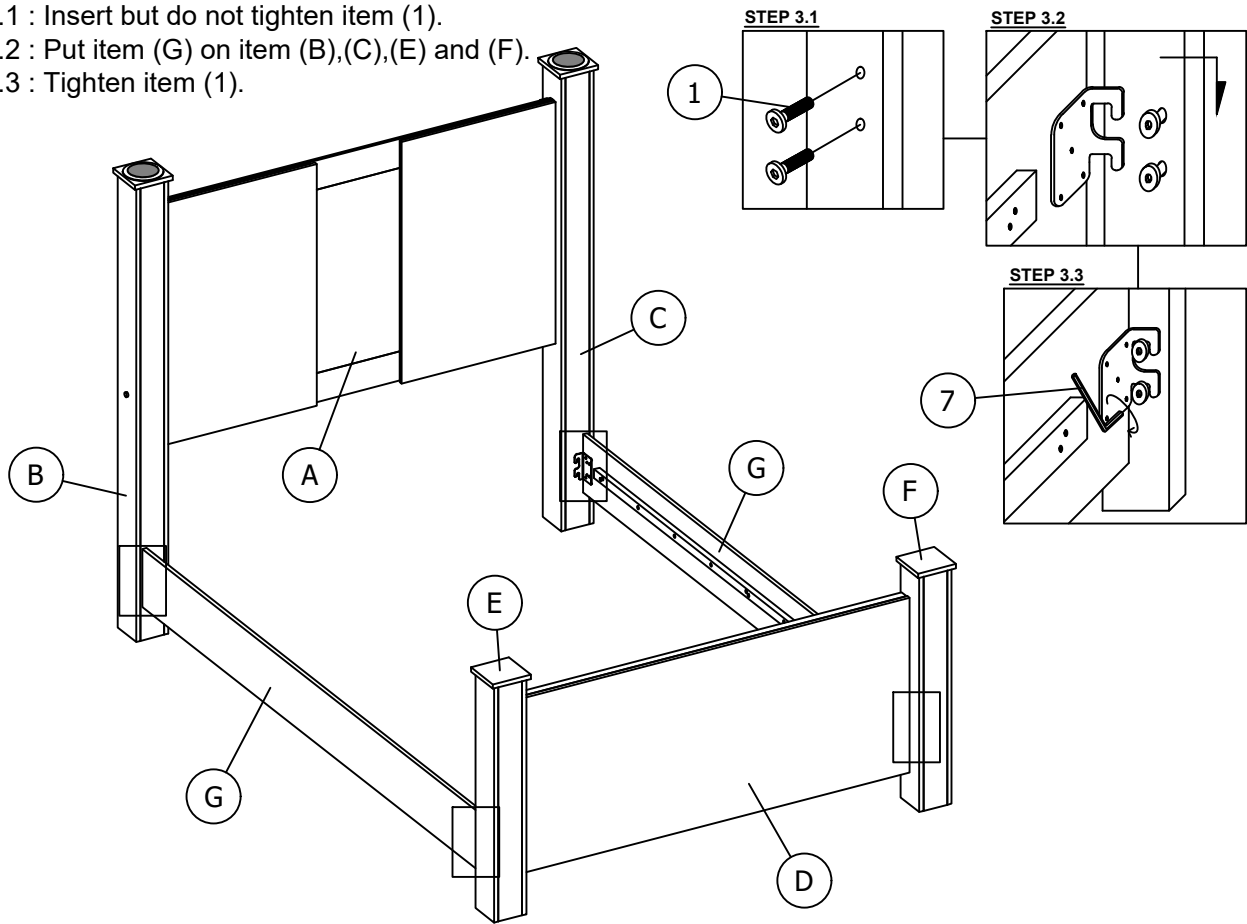
# LOGAN FB/QB ASSEMBLY INSTRUCTIONS

## STEP 3

STEP 3.1 : Insert but do not tighten item (1).

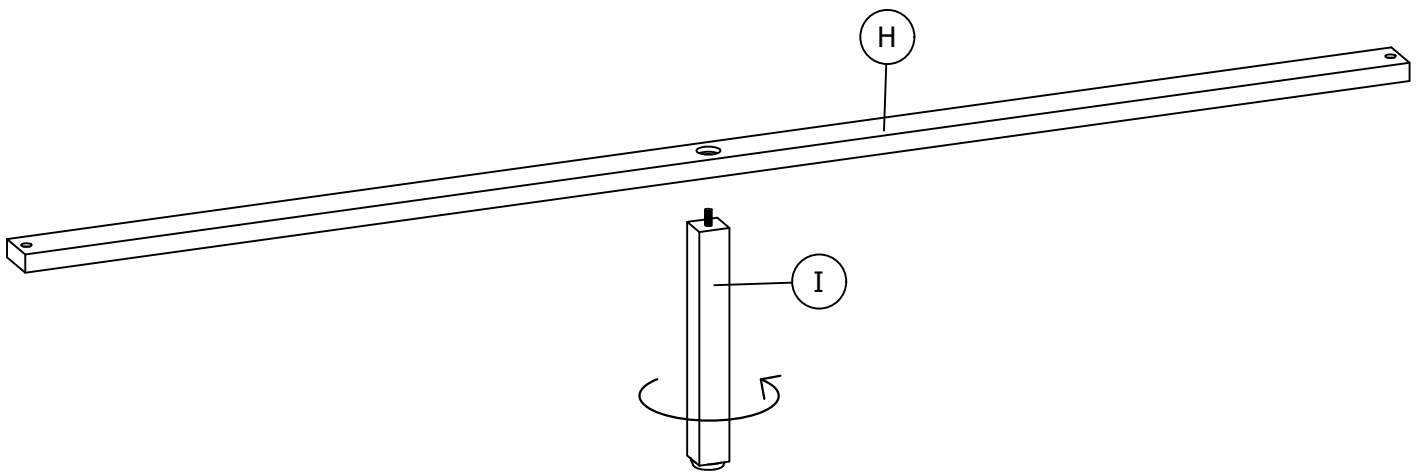
STEP 3.2 : Put item (G) on item (B),(C),(E) and (F).

STEP 3.3 : Tighten item (1).



## STEP 4

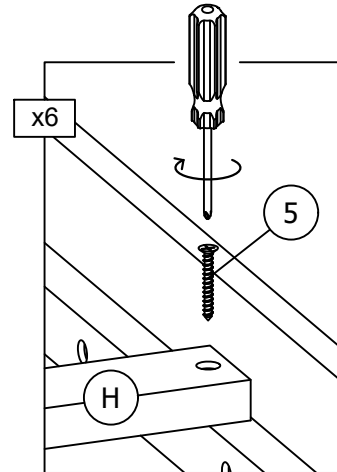
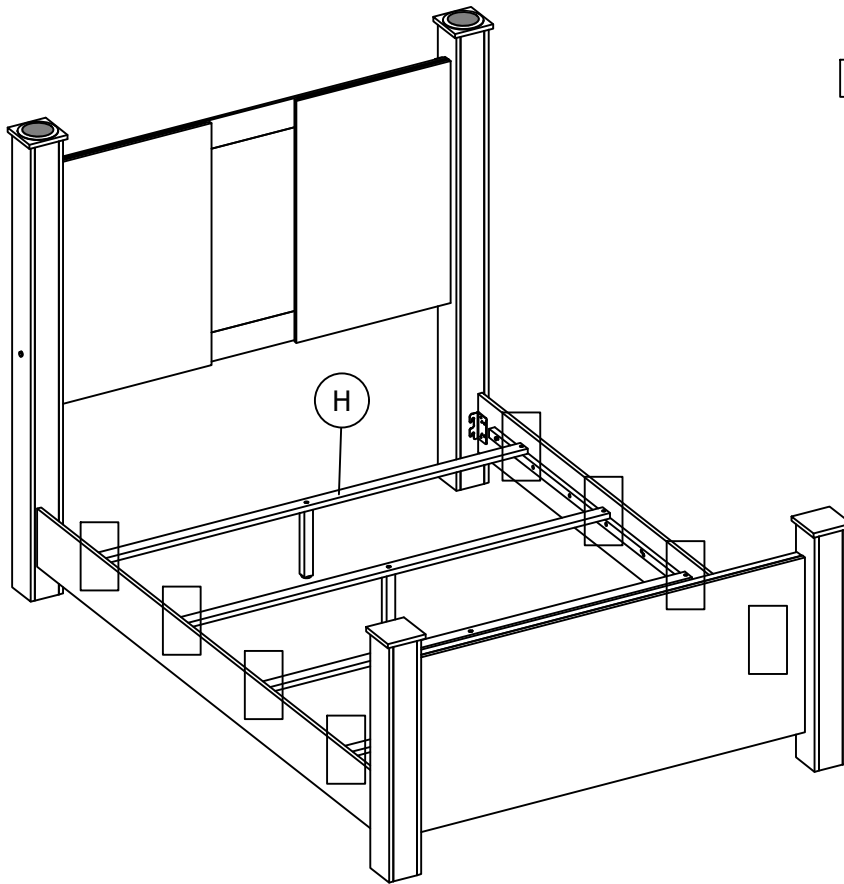
This step needs to be done four times.



# LOGAN FB/QB ASSEMBLY INSTRUCTIONS

## STEP 5

This step needs to be done eight times.

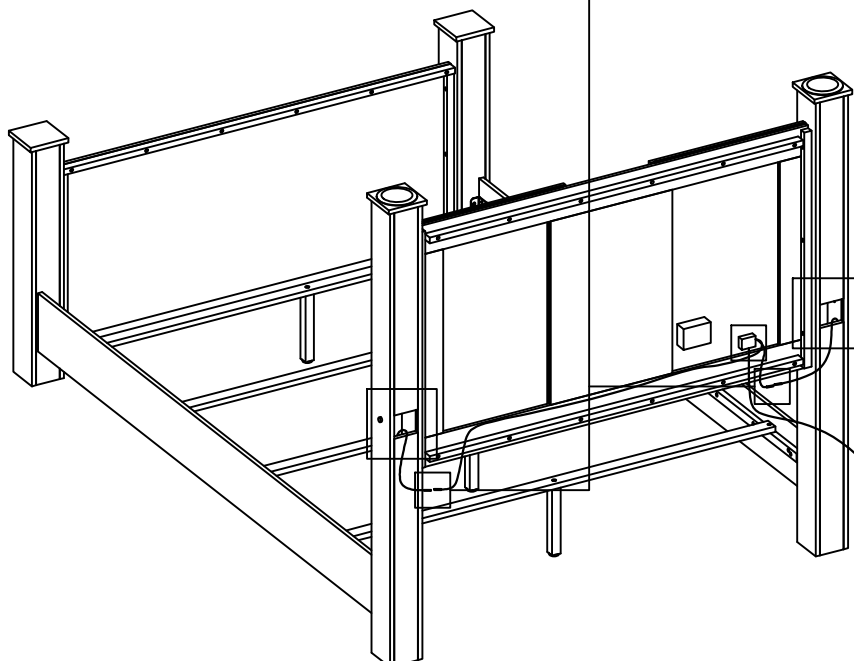
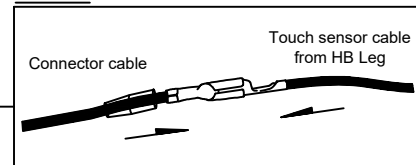


## STEP 6

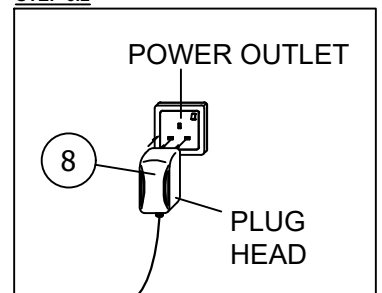
STEP 6.1 : Connect the touch sensor cable with connector cable.

STEP 6.2 : Connect the connector wire with power cable.

### STEP 6.1



### STEP 6.2



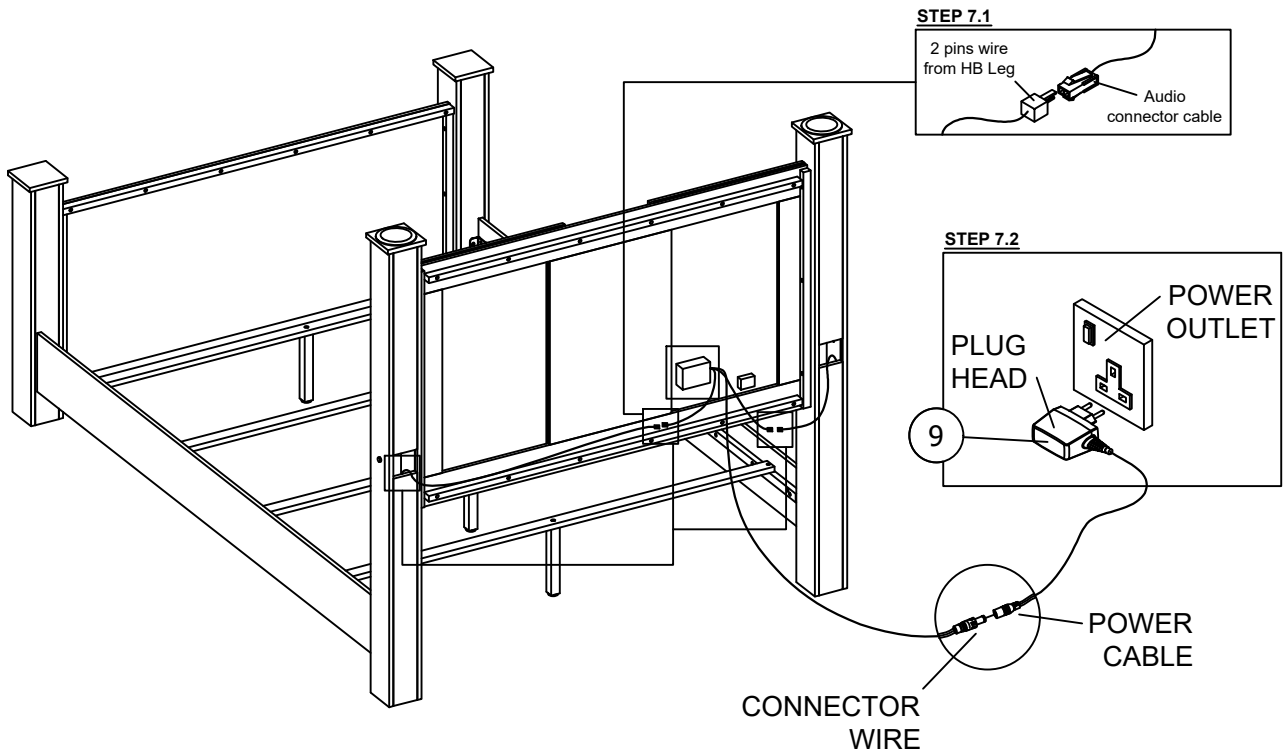
POWER CABLE  
CONNECTOR WIRE

# LOGAN FB/QB ASSEMBLY INSTRUCTIONS

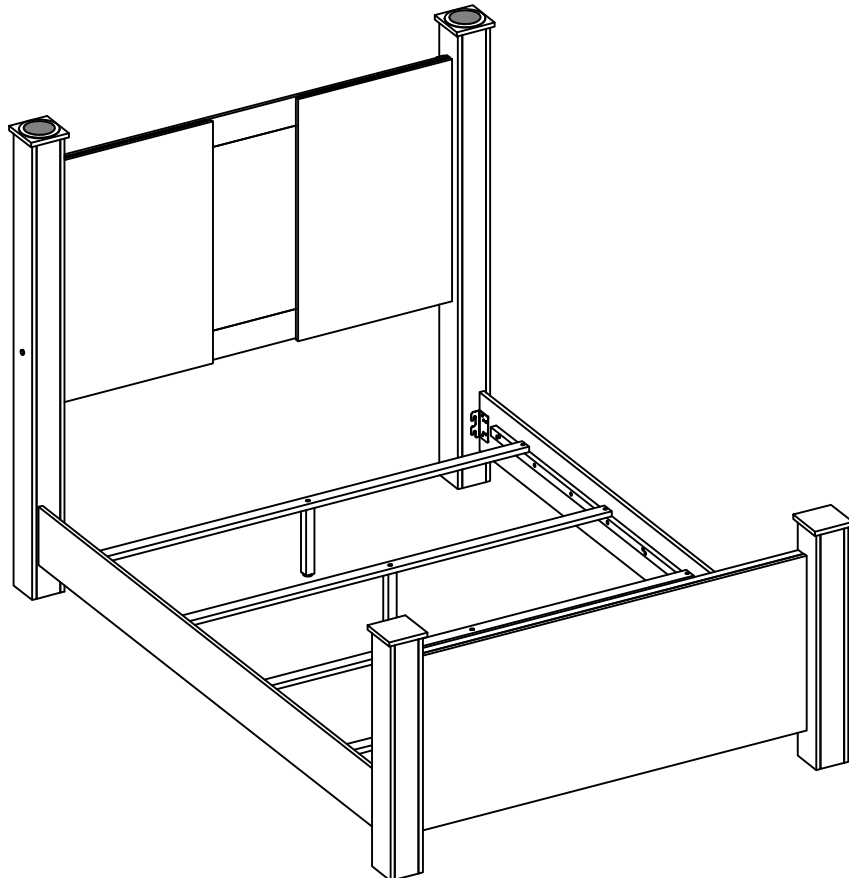
## STEP 7

STEP 7.1 : Connect the 2 pin wire with Audio connector cable.

STEP 7.2 : Connect the connector wire with power cable.



## STEP 8 COMPLETE



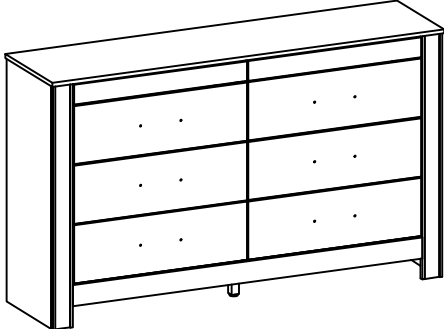
# LOGAN DR ASSEMBLY INSTRUCTIONS

Thank you for purchasing this quality product. Be sure any small parts and hardware not for children under 3 years. Adult assembly required.

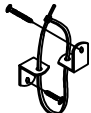
**"DO NOT TIGHTEN SCREWS UNTIL COMPLETELY ASSEMBLED"**

**"DO NOT OVER TIGHT ANY HARDWARE"**

## PART LIST

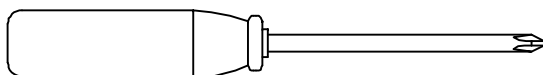
ITEM	DESCRIPTION	DRAWING	QTY
A	DRESSER		1 PC

## HARDWARE LIST

ITEM	DESCRIPTION	DRAWING	QTY
1	TIPPING RESTRAINT		1 PC

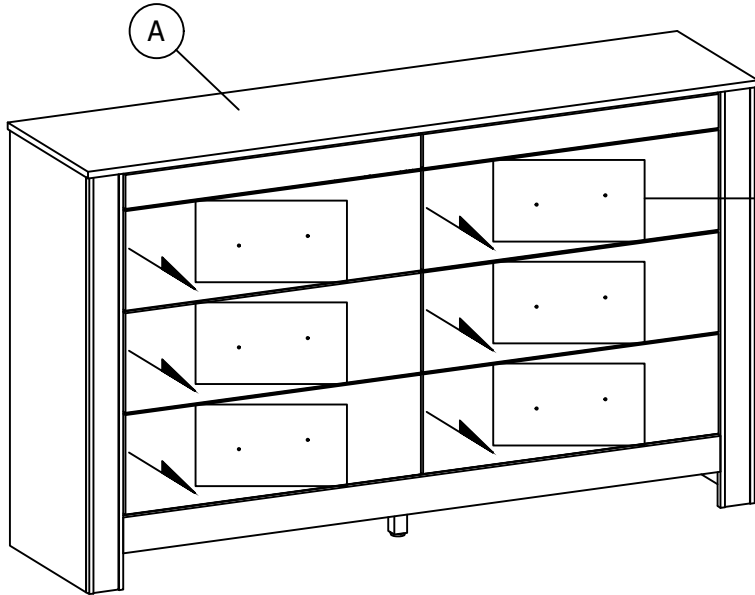
## ASSEMBLY TOOLS REQUIRED

**1. Screwdriver (not provide)**

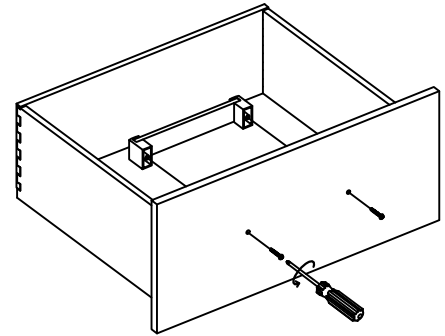


# LOGAN DR ASSEMBLY INSTRUCTIONS

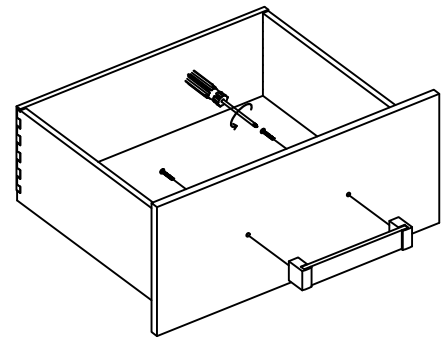
## STEP 1



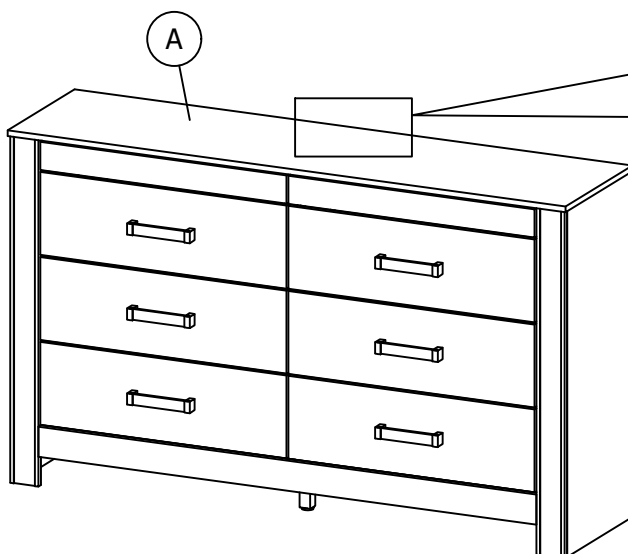
1.1. Unscrew the drawer handle from outside.



1.2. Screw the drawer handle from inside.

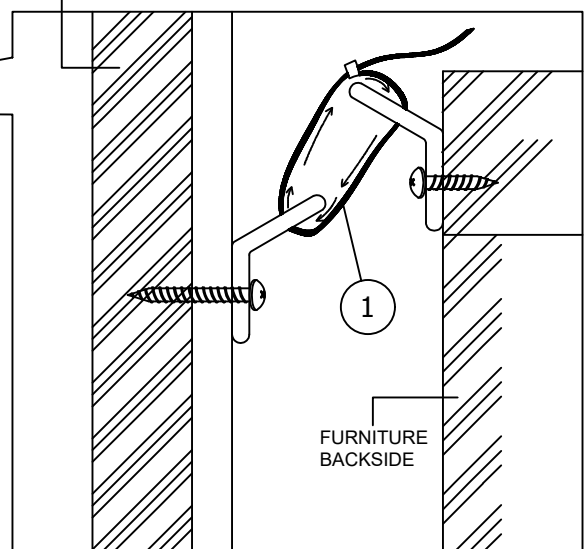


## STEP 2



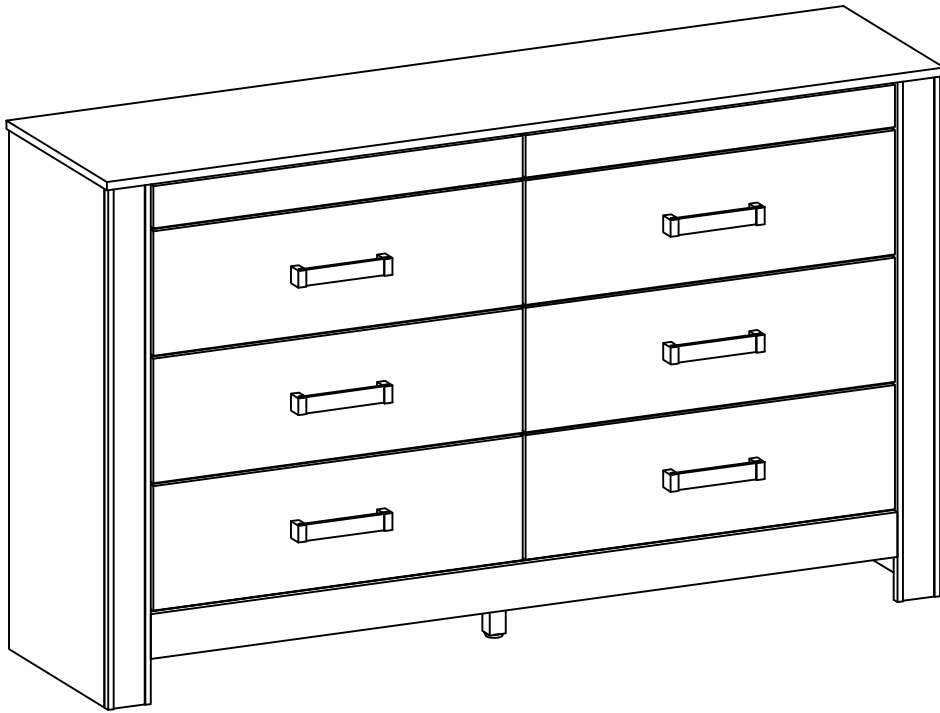
WALL BOARD AND STUD

FURNITURE TOP



# LOGAN DR ASSEMBLY INSTRUCTIONS

STEP 3  
COMPLETE



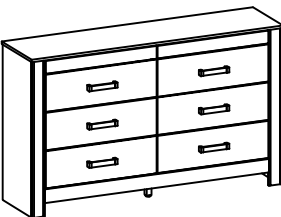
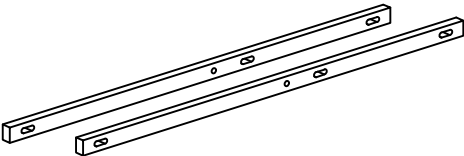
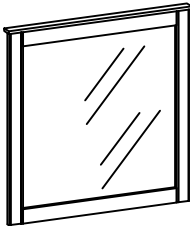
# LOGAN MR ASSEMBLY INSTRUCTIONS

Thank you for purchasing this quality product. Be sure any small parts and hardware not for children under 3 years. Adult assembly required.





**"DO NOT TIGHTEN SCREWS UNTIL COMPLETELY ASSEMBLED"**

**"DO NOT OVER TIGHT ANY HARDWARE"**

## PART LIST

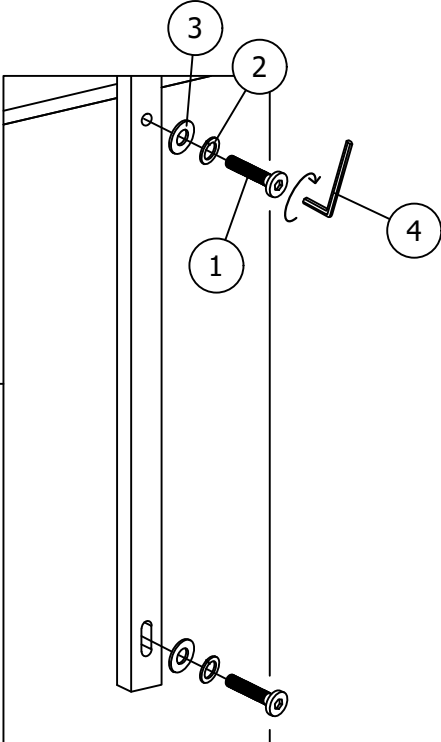
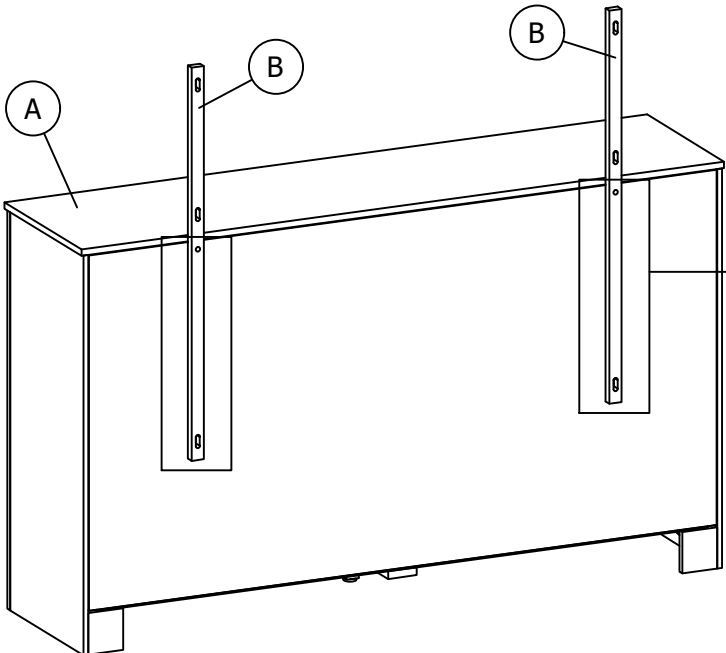
ITEM	DESCRIPTION	DRAWING	QTY
A	DRESSER (FROM DRESSER BOX)		1 PC
B	MIRROR SUPPORT		2 PCS
C	MIRROR		1 PC

## HARDWARE LIST

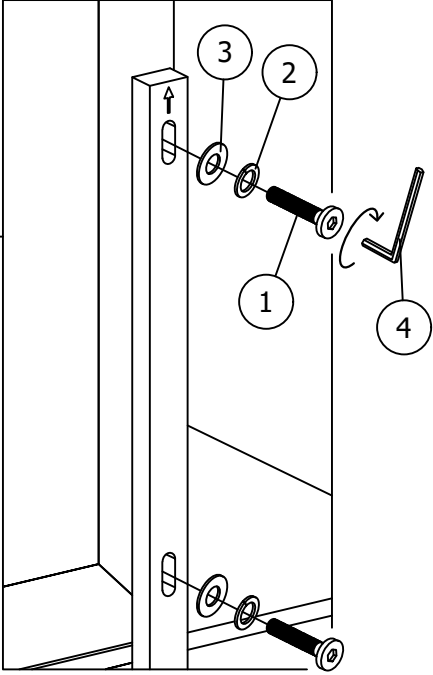
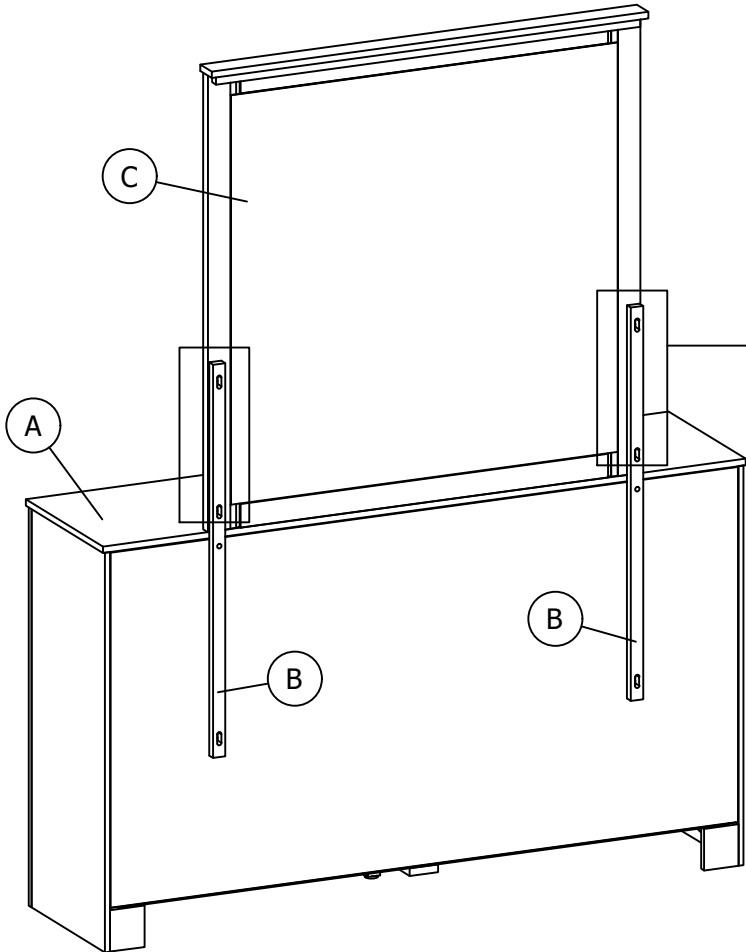
ITEM	DESCRIPTION	DRAWING	QTY
1	JCBC SCREW M6 x 40MM		8 PCS
2	SPRING WASHER M6 x 13MM		8 PCS
3	FLAT WASHER M6 X 19MM		8 PCS
4	ALLEN KEY M4		1 PC

# LOGAN MR ASSEMBLY INSTRUCTIONS

## STEP 1

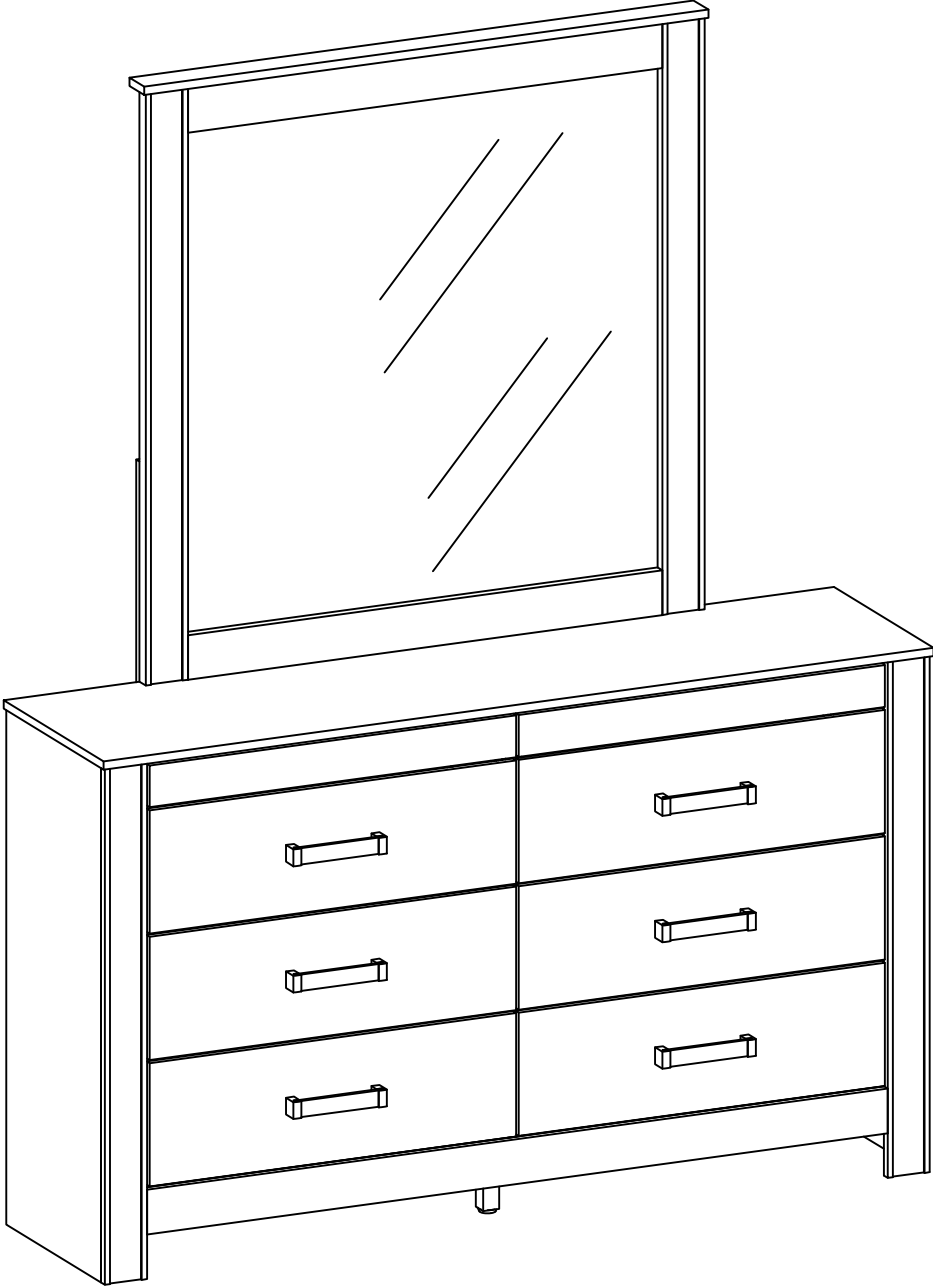


## STEP 2



# LOGAN MR ASSEMBLY INSTRUCTIONS

STEP 3  
COMPLETE



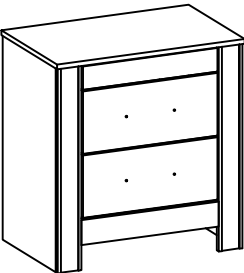
# LOGAN NS ASSEMBLY INSTRUCTIONS

Thank you for purchasing this quality product. Be sure any small parts and hardware not for children under 3 years. Adult assembly required.

**"DO NOT TIGHTEN SCREWS UNTIL COMPLETELY ASSEMBLED"**

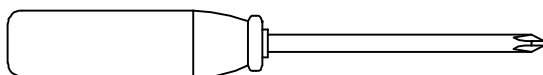
**"DO NOT OVER TIGHT ANY HARDWARE"**

## PART LIST

ITEM	DESCRIPTION	DRAWING	QTY
A	NIGHTSTAND		1 PC

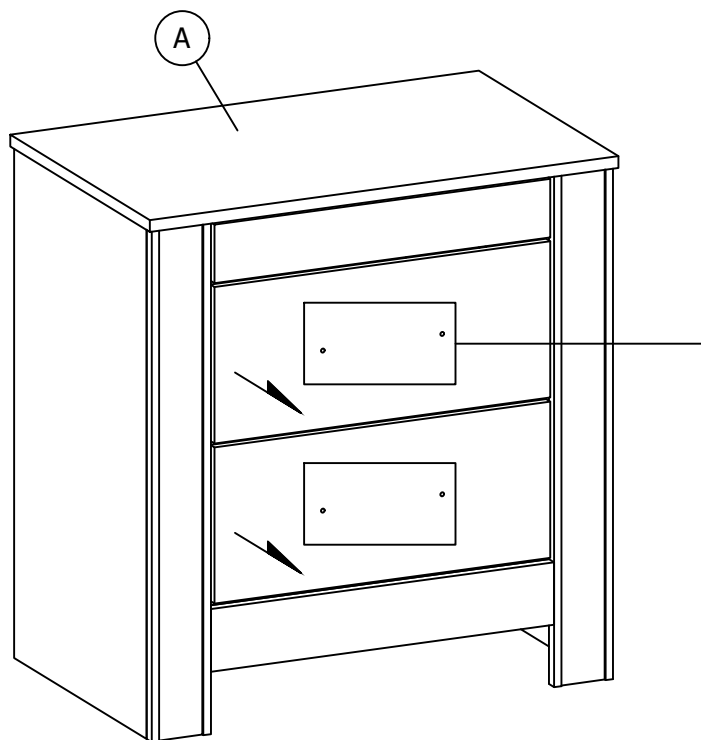
## ASSEMBLY TOOLS REQUIRED

**1. Screwdriver (not provide)**

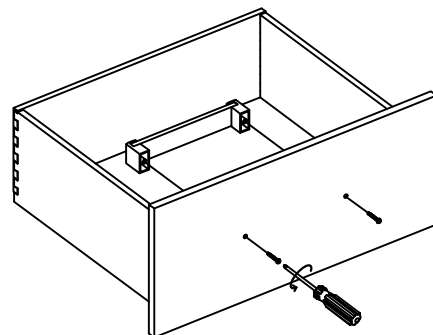


# LOGAN NS ASSEMBLY INSTRUCTIONS

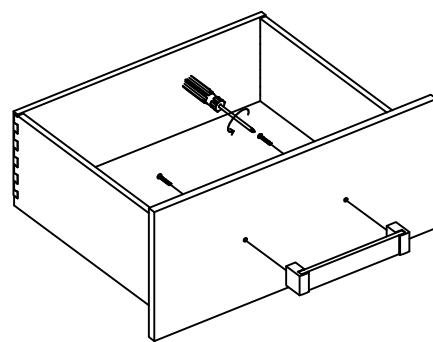
## STEP 1



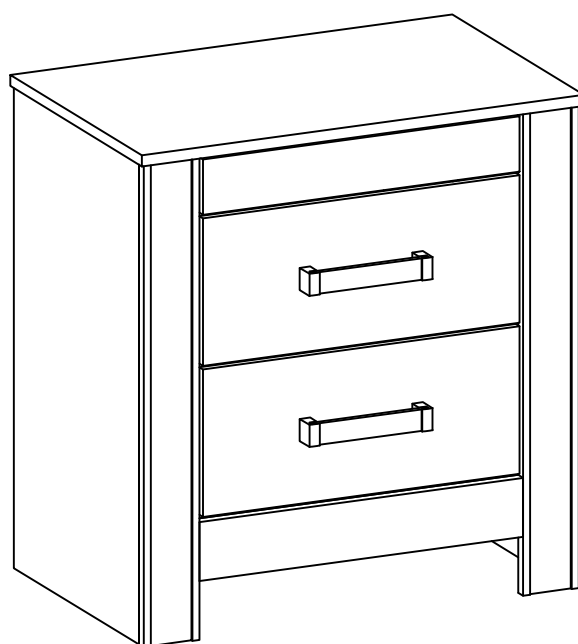
1.1. Unscrew the drawer handle from outside.



1.2. Screw the drawer handle from inside.



## STEP 2 COMPLETE



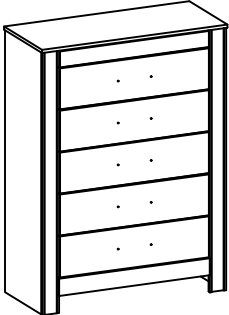
# LOGAN CH ASSEMBLY INSTRUCTIONS

Thank you for purchasing this quality product. Be sure any small parts and hardware not for children under 3 years. Adult assembly required.

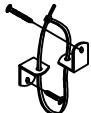
**"DO NOT TIGHTEN SCREWS UNTIL COMPLETELY ASSEMBLED"**

**"DO NOT OVER TIGHT ANY HARDWARE"**

## PART LIST

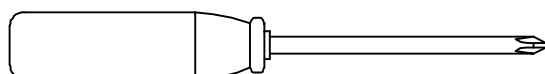
ITEM	DESCRIPTION	DRAWING	QTY
A	CHEST		1 PC

## HARDWARE LIST

ITEM	DESCRIPTION	DRAWING	QTY
1	TIPPING RESTRAINT		1 PC

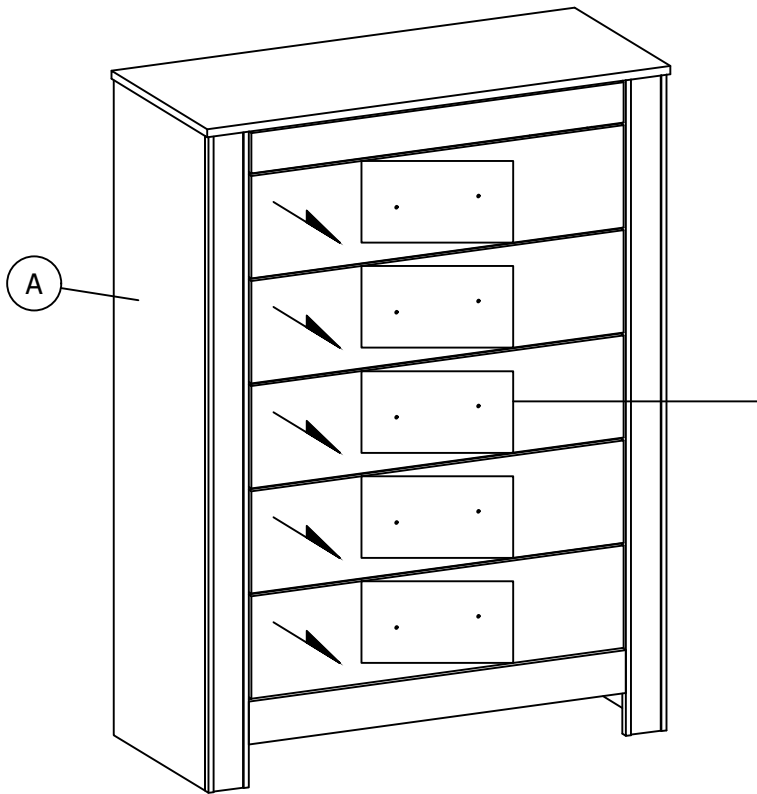
## ASSEMBLY TOOLS REQUIRED

**1. Screwdriver (not provide)**

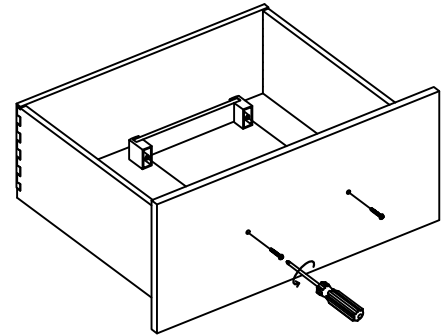


# LOGAN CH ASSEMBLY INSTRUCTIONS

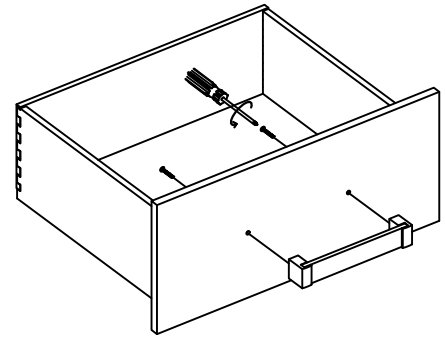
## STEP 1



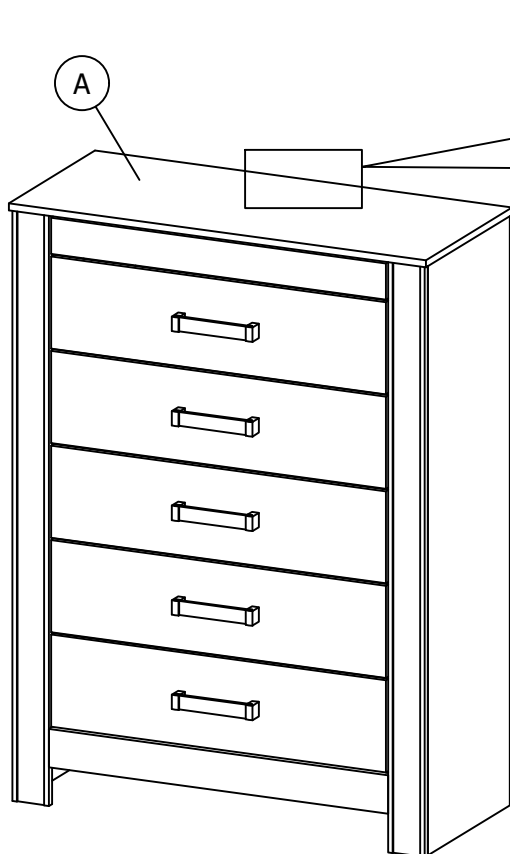
1.1. Unscrew the drawer handle from outside.



1.2. Screw the drawer handle from inside.

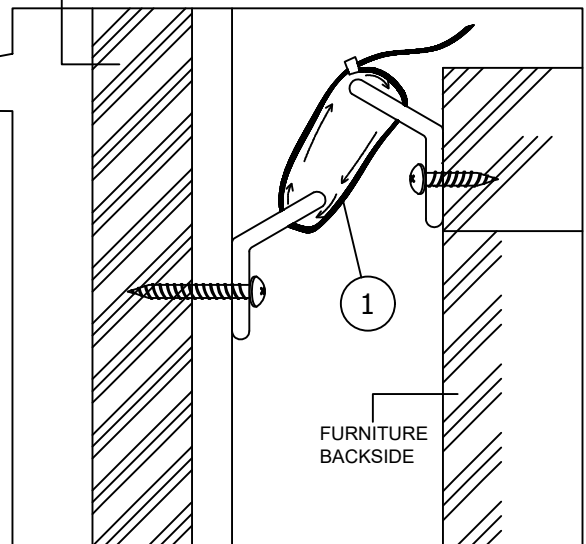


## STEP 2



WALL BOARD AND STUD

FURNITURE TOP



# LOGAN CH ASSEMBLY INSTRUCTIONS

STEP 3  
COMPLETE

