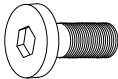


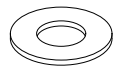
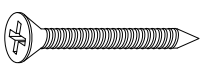


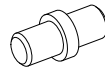
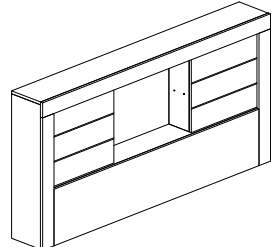
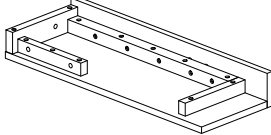
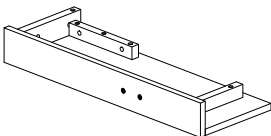


LISBON-GREY/BLACK-BOOKCASE KB ASSEMBLY INSTRUCTION

HARDWARE LIST

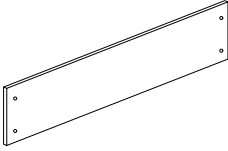
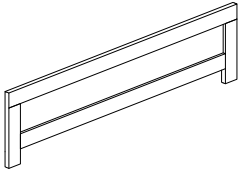
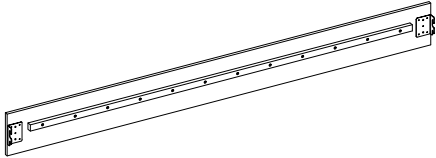
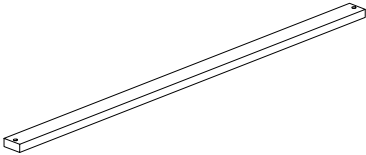
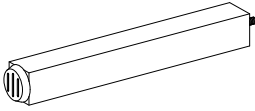
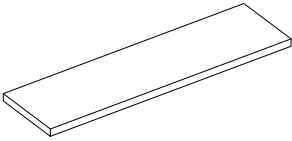
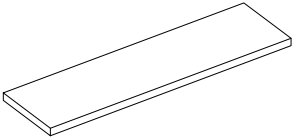
ITEM	DESCRIPTION	DRAWING	QTY
1	JCBB SCREW (M8 x 16MM)		8 PCS
2	JCBC SCREW (M6 x 35MM)		8 PCS
3	SPRING WASHER (M6 x 13MM)		8 PCS
4	FLAT WASHER (M6 x 19MM)		8 PCS
5	CSK SCREW (M4 x 32MM)		8 PCS
6	ALLEN KEY M5		1 PC
7	ALLEN KEY M4		1 PC
8	SHELF PIN		12 PCS

PART LIST

ITEM	DESCRIPTION	DRAWING	QTY
A	HEADBOARD		1 PC
B	HEADBOARD LEG (R)		1 PC
C	HEADBOARD LEG (L)		1 PC

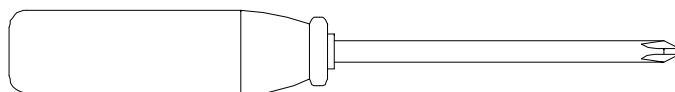
LISBON-GREY/BLACK-BOOKCASE KB ASSEMBLY INSTRUCTION

PART LIST

ITEM	DESCRIPTION	DRAWING	QTY
D	HEADBOARD BOTTOM PANEL		1 PC
E	FOOTBOARD		1 PC
F	SIDE RAIL		2 PCS
G	SLAT		4 PCS
H	CENTER SLAT SUPPORT		8 PCS
I	CENTER SHELF		1 PC
J	LEFT & RIGHT SHELF		2 PCS

ASSEMBLY TOOLS REQUIRED

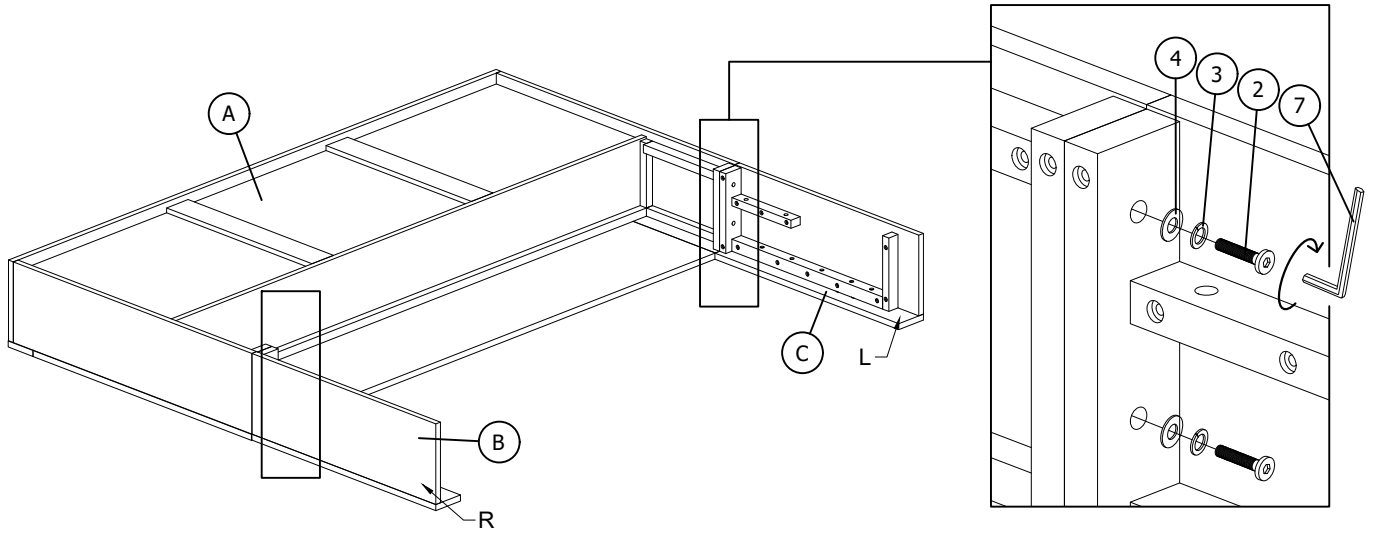
1. Screwdriver (not provide)



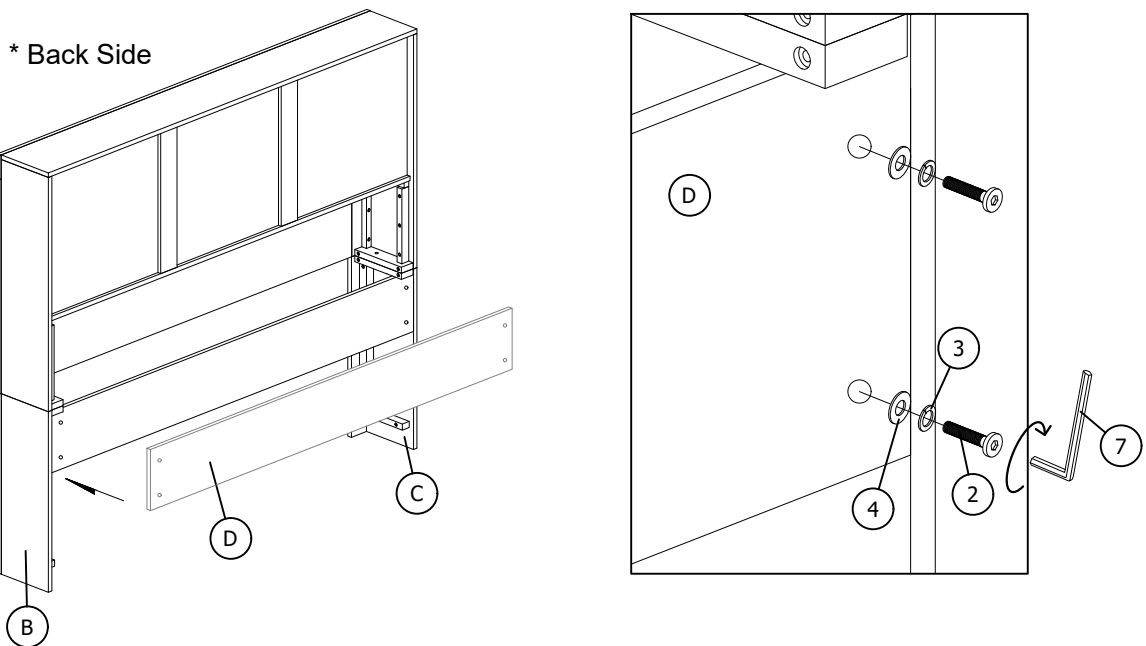
LISBON-GREY/BLACK-BOOKCASE KB ASSEMBLY INSTRUCTION

ASSEMBLY STEPS

STEP 1

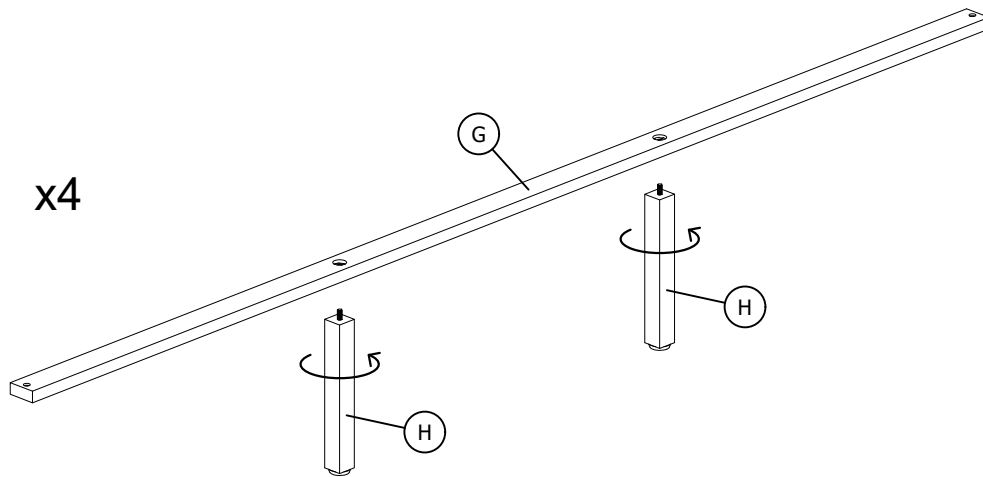


STEP 2



LISBON-GREY/BLACK-BOOKCASE KB ASSEMBLY INSTRUCTION

STEP 3



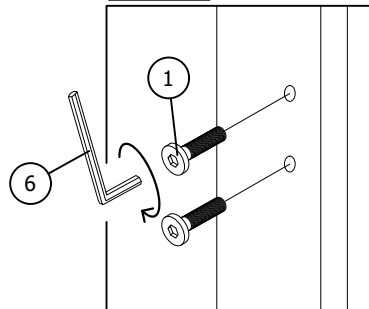
STEP 4

STEP 4.1 : Insert but do not tighten item (1).

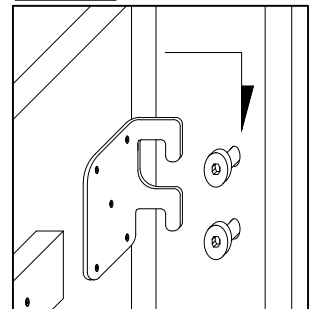
STEP 4.2 : Attach item (F) with item (B),(C) and (E).

STEP 4.3 : Tighten item (1).

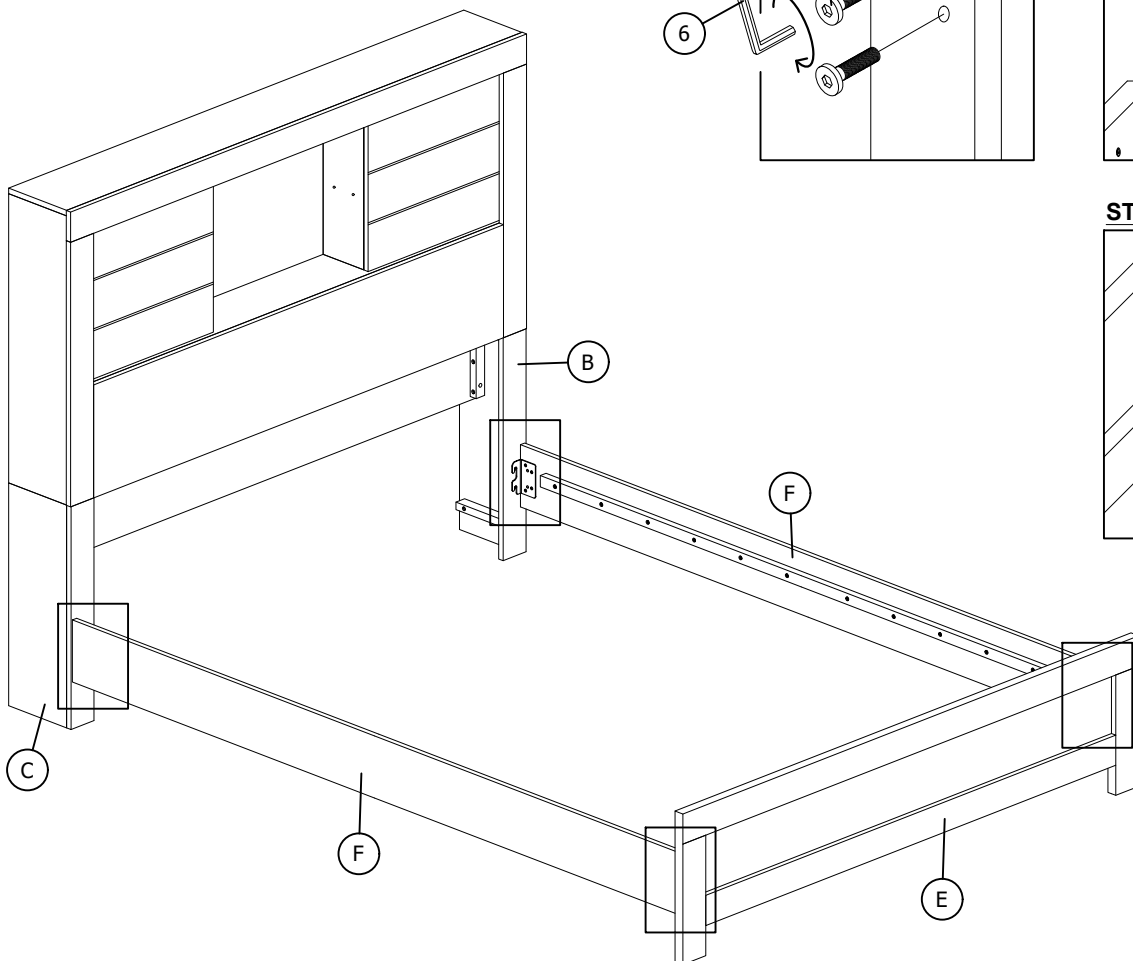
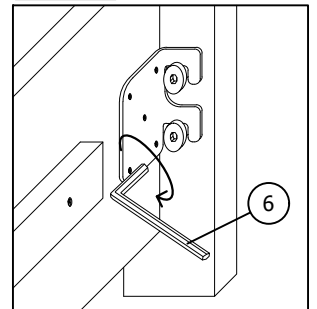
STEP 4.1



STEP 4.2

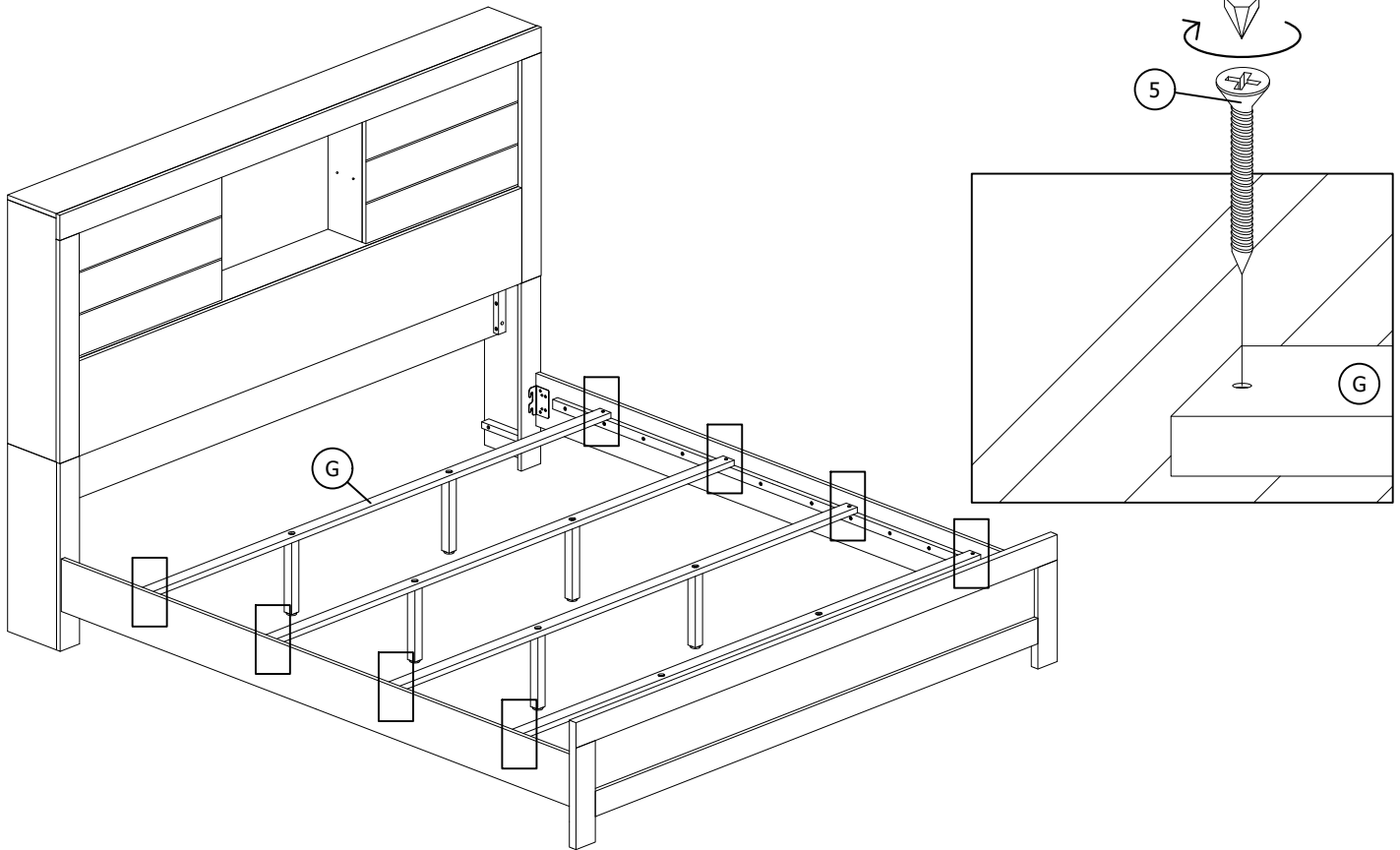


STEP 4.3

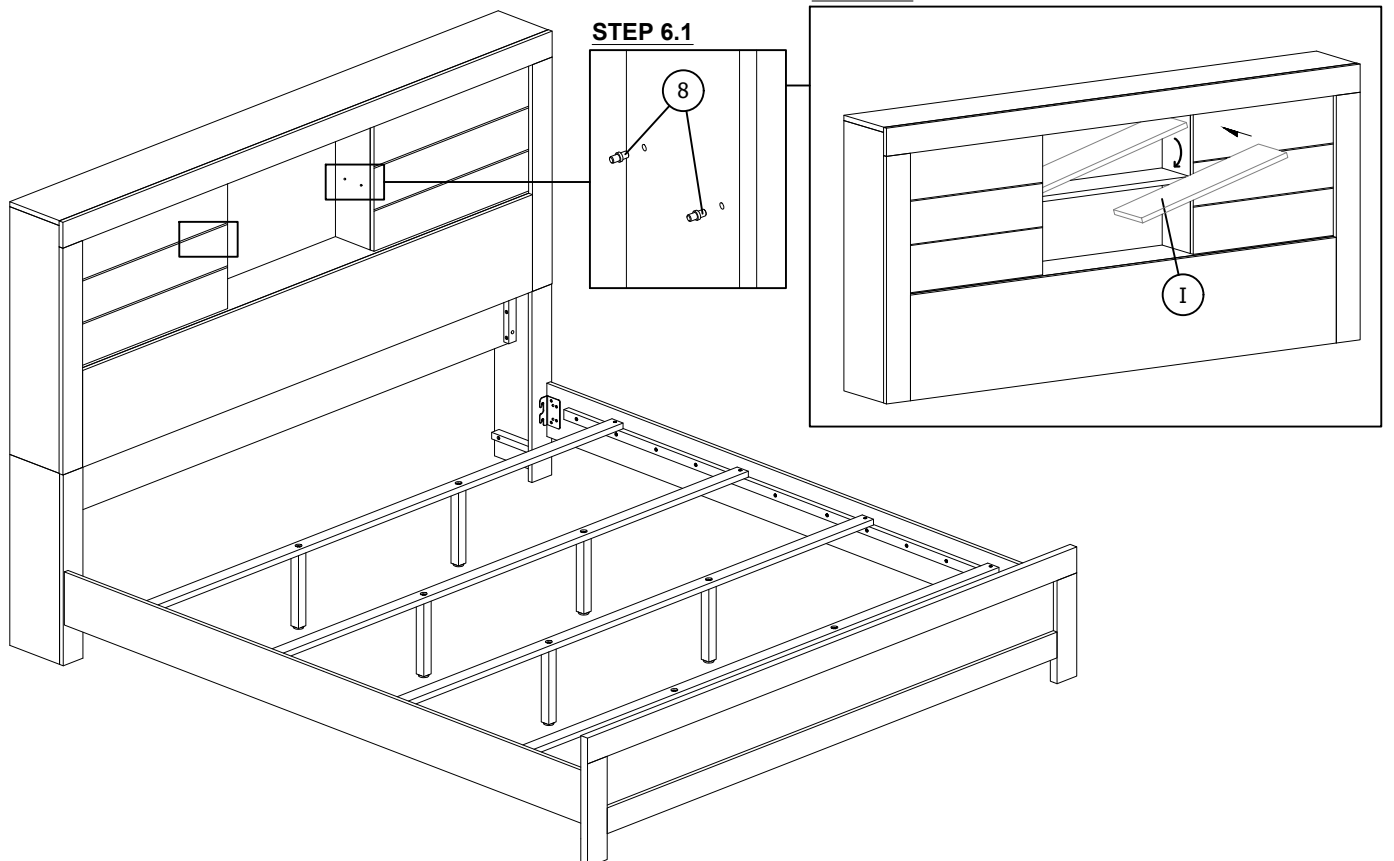


LISBON-GREY/BLACK-BOOKCASE KB ASSEMBLY INSTRUCTION

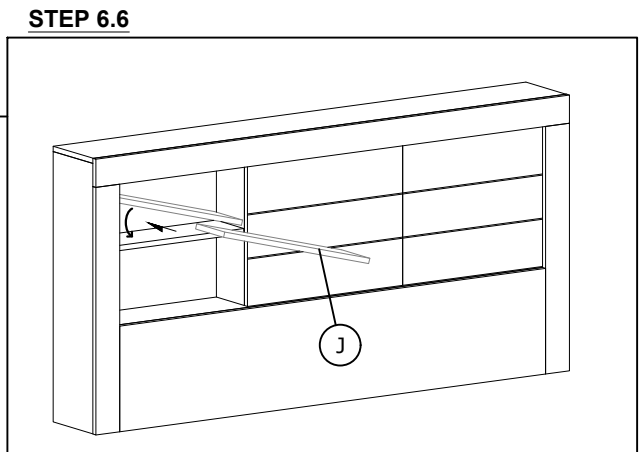
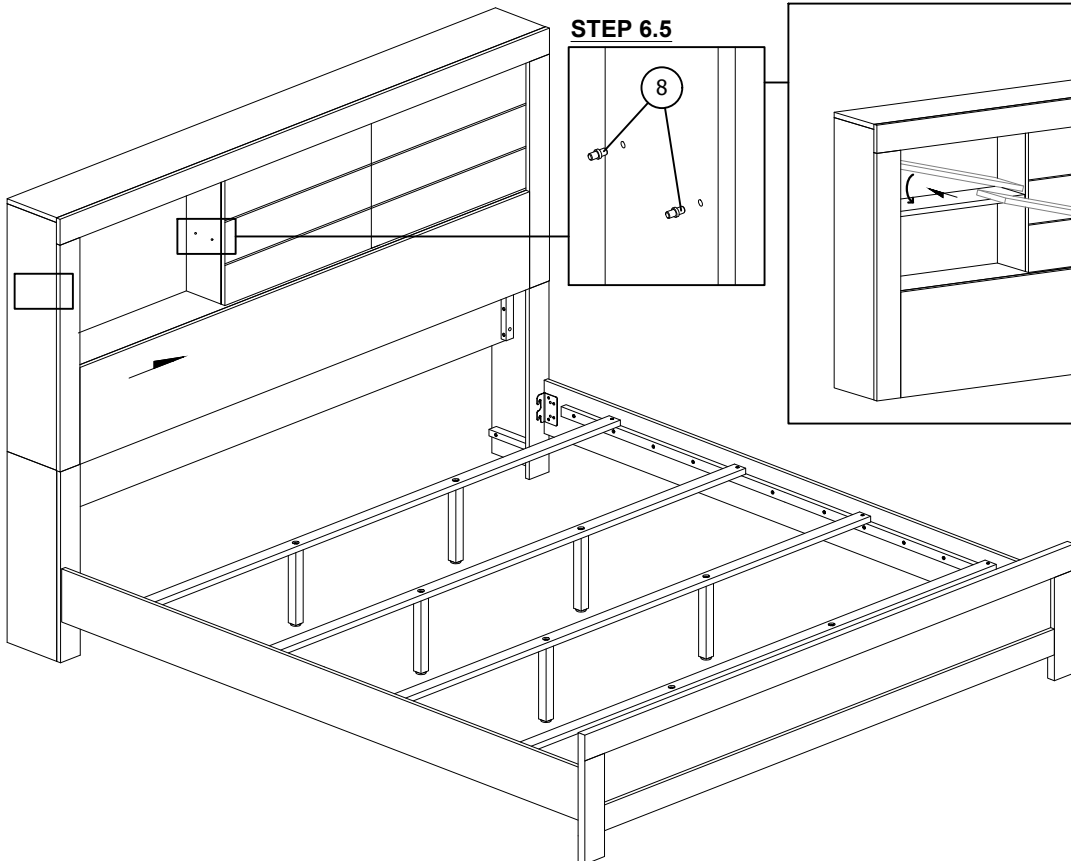
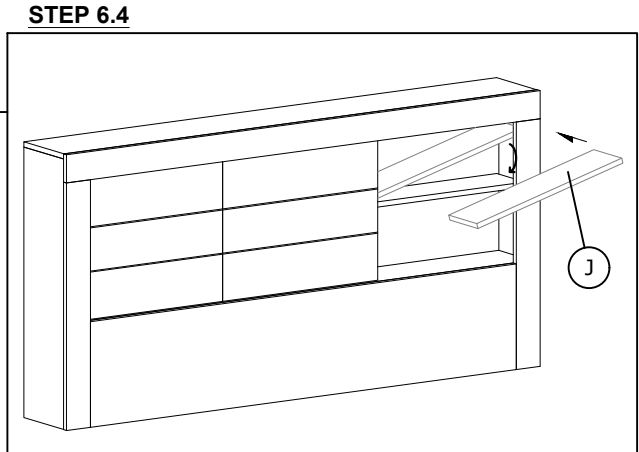
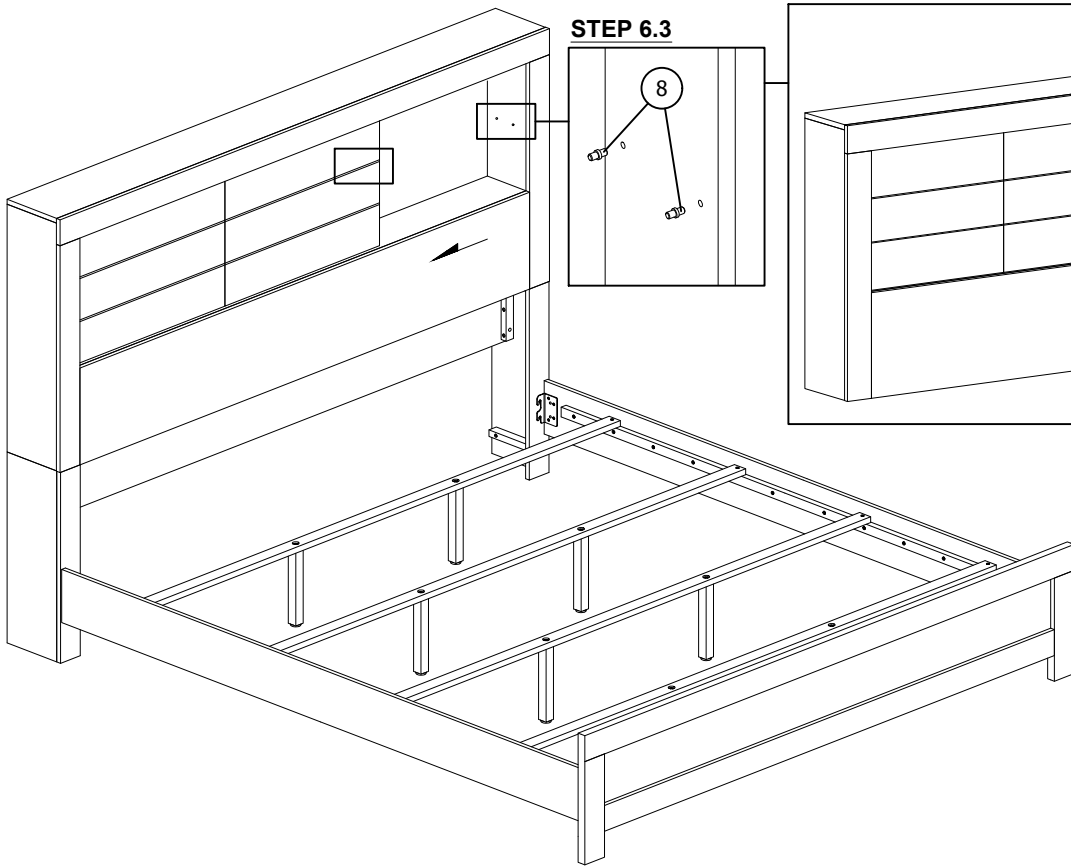
STEP 5



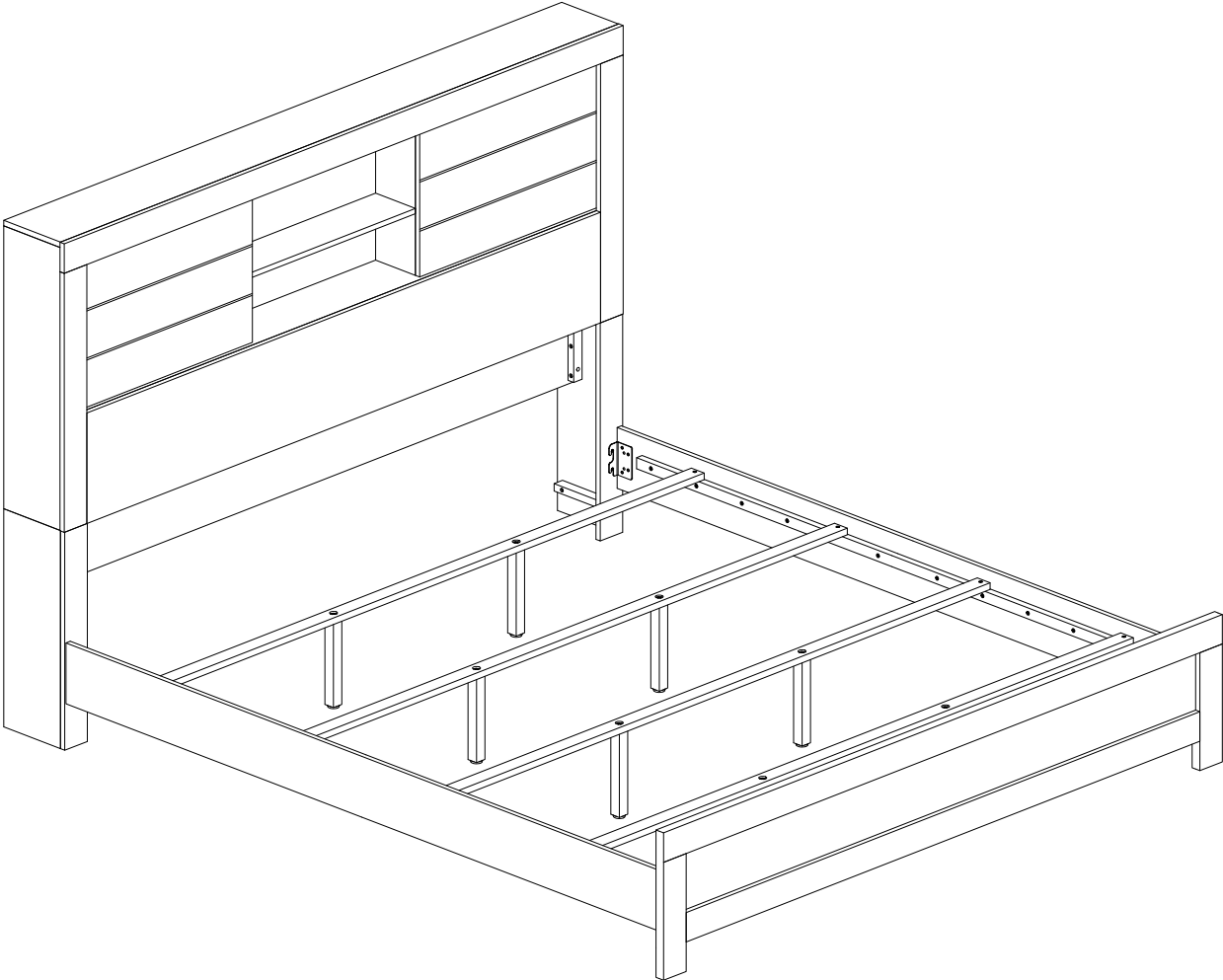
STEP 6



LISBON-GREY/BLACK-BOOKCASE KB ASSEMBLY INSTRUCTION



LISBON-GREY/BLACK-BOOKCASE KB ASSEMBLY INSTRUCTION



ASSEMBLY COMPLETED