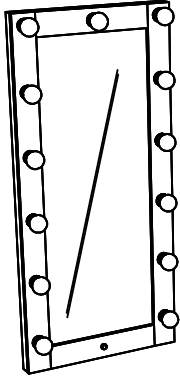




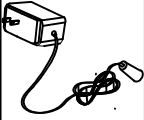
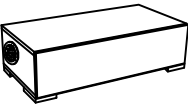
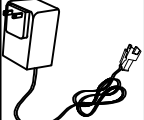


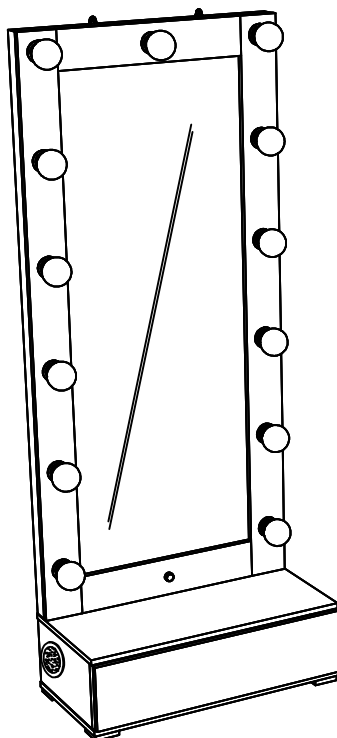


ASSEMBLY INSTRUCTIONS

**Model : Lexi-Grey-Narrow Tall MR
Lexi-Grey-DWR W/Speaker**

**Description : Narrow Tall Mirror With Led
Drawer With Speaker**

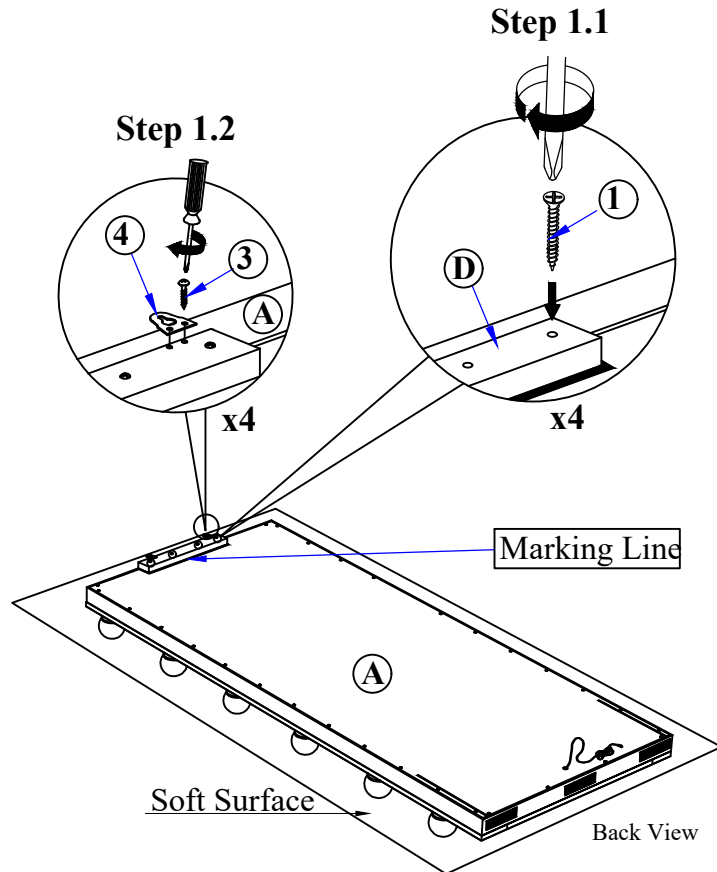
PART LIST : NARROW TALL MIRROR				HARDWARE LIST				
No	Description	Diagram	Quantity	PACKED IN TALL MIRROR				
No	Description	Diagram	Quantity	No	Description	Diagram	Size	Quantity
A	Tall Mirror		1 pc	1	Flat Head Chipboard Screw		M4 x 32mm	14 pcs
				2	Wall Plug		6mm x 31mm	2 pcs
				3	Pan Head Chipboard Screw		M3.5 x 20mm	4 pcs
				4	Hook		2 pcs	
PART LIST : SMALL DRAWER				5	Adaptor Led			1 pc
B	Drawer Box		1 pc	6	Adaptor Speaker			1 pc
C	Tall Mirror Back Support		2 pcs					
D	Tall Mirror Back Top Support		1 pc					



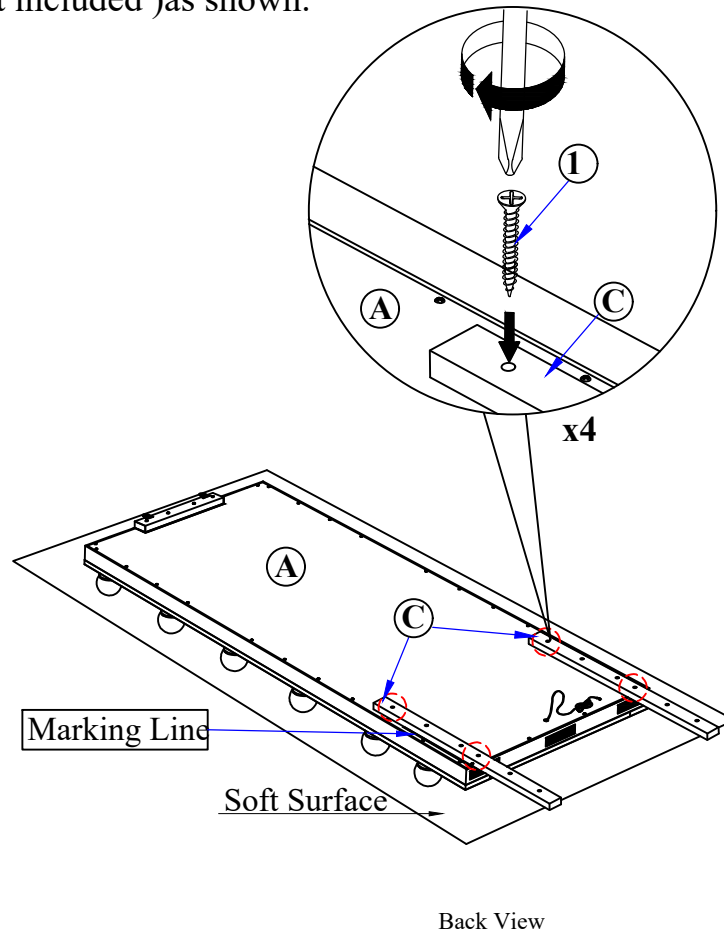
COMPLETE ASSEMBLY

STEP 1.1: Attach Tall mirror back top support (D) and secure with Flat head chipboard screw(1), Then tighten with screw driver(not included)as shown.

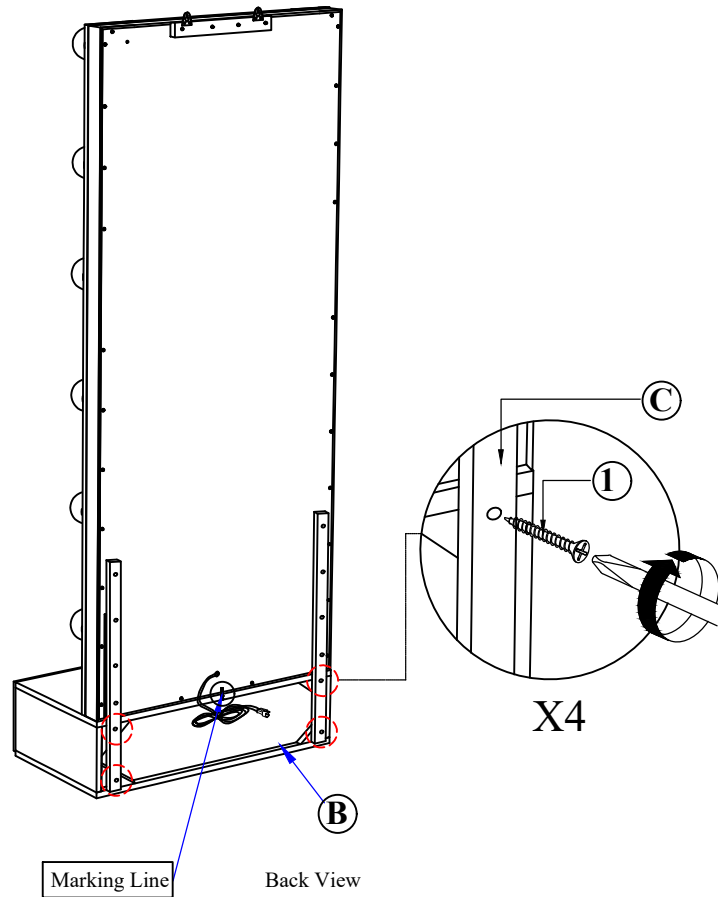
STEP 1.2: Attach Hook(4) at Back tall mirror (A) and secure with pan head chipboard screw(3), Then tighten with screw driver(not included)as shown.



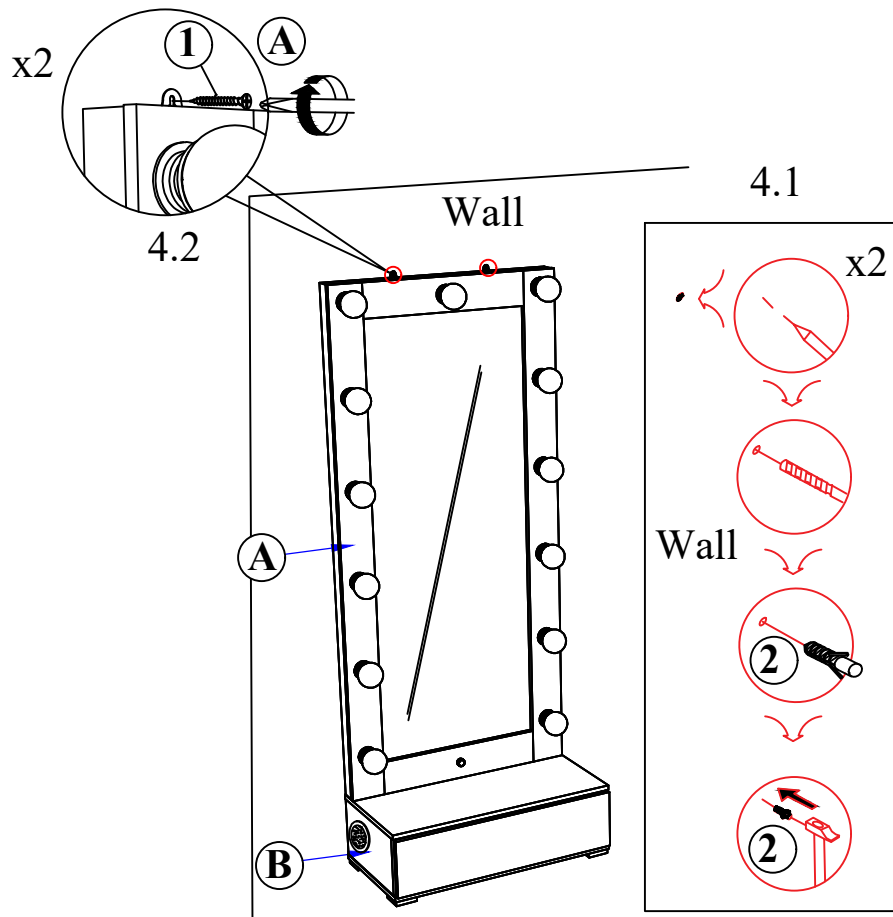
STEP 2: Please attach and align tall mirror back support (C) at the tall mirror(A). Then secure Tall Mirror back support (C)with flat head chipboard screw(1) and tighten with screw driver(not included)as shown.



STEP 3: Please attach and align tall mirror back support (C) at the tall mirror(A). Then secure Tall Mirror back support (C) with flat head chipboard screw(1) and tighten with screw driver(not included) as shown.



STEP 4: Please align and touch tall mirror(A) at the wall. Please marking and drill hole for Insert Wall plug(2) to the wall. Then secure Tall Mirror (A) with flat head chipboard screw(1) and tighten with screw driver(not included) as shown.



STEP 5:

