

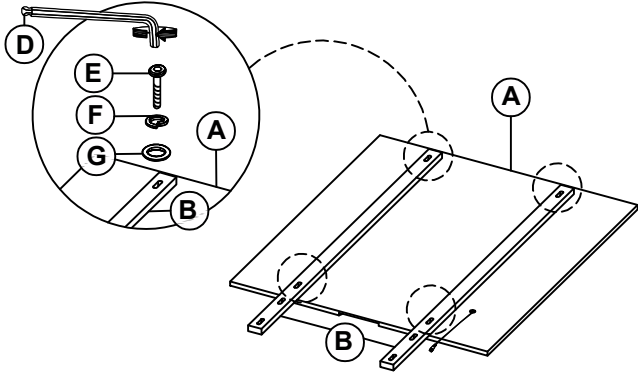
ASSEMBLY INSTRUCTION

MODEL : ISABELLA-GREY-MR W/LED
ISABELLA-WHITE/BLACK-MR W/LED

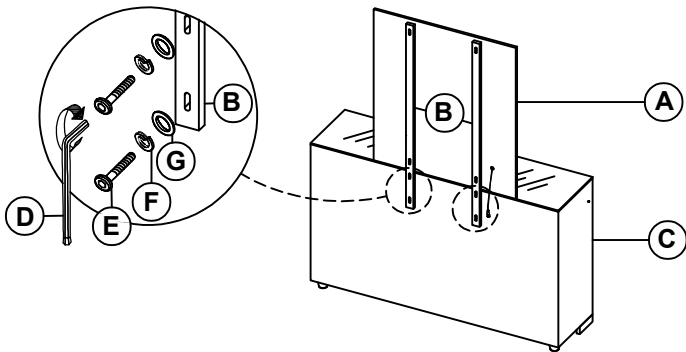
DESCRIPTION : MIRROR WITH LED

Thank you for purchasing this quality product. Be sure to check all packing material carefully for small parts which may have loose inside the carton during shipment. Identify and count all parts and compare with the parts list below.

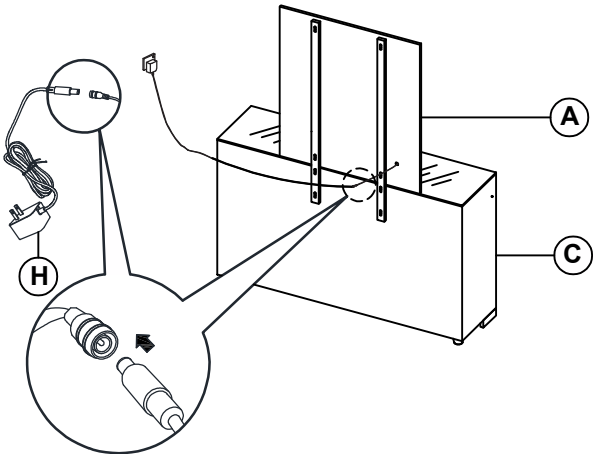
STEP 1:



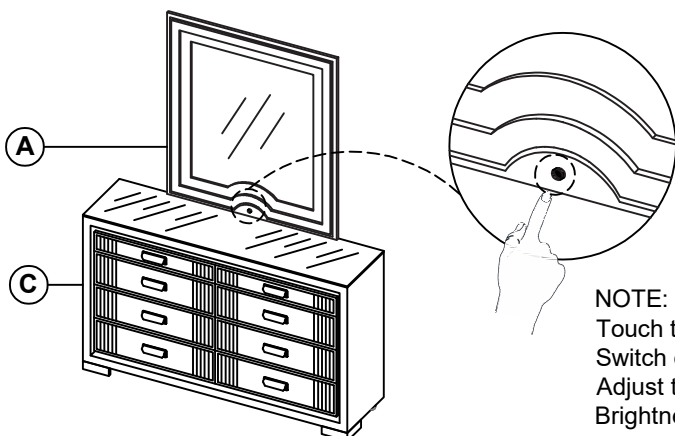
STEP 2:



STEP 3:



STEP 4:



NOTE:
Touch the Sensor to
Switch on the Light and
Adjust the Level of
Brightness.

PART LIST:

| No. | Description | Diagram | Quantity |
|-----|----------------|---------|----------|
| A | Mirror | | 1 |
| B | Mirror Support | | 2 |
| C | Dresser | | 1 |

HARDWARE LIST:

| No. | Description | Diagram | Quantity |
|-----|------------------------------------|---------|----------|
| D | Allen Key M4 With Ball | | 1 |
| E | JCBC Bolt (M6 x 35mm) | | 8 |
| F | Spring Washer M6 | | 8 |
| G | Flat Washer Medium (M7 x 19 x 2.0) | | 8 |
| H | Adapter Plug | | 1 |

STEP 5:
COMPLETE

