
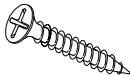

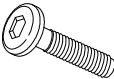


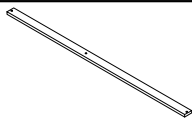

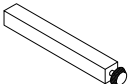

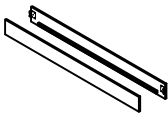




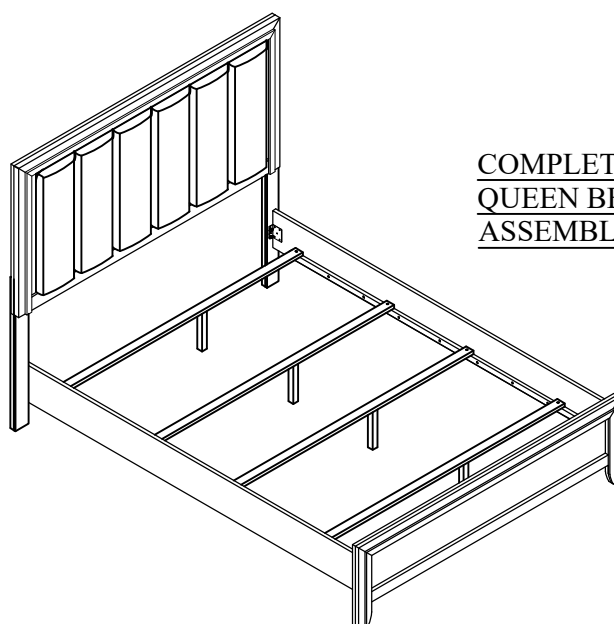
ASSEMBLY INSTRUCTION

Model : ELSIE-GREY-QB

Description : QUEEN BED

Thank you for purchasing this quality product. Be sure to check all packing material carefully for small parts that may have come loose inside the carton during shipment.

| PART LIST : | | | | HARDWARE LIST : | | | | |
|-------------|---------------------|---|----------|-----------------|------------------|---|--------------|----------|
| No. | Description | Diagram | Quantity | No. | Description | Diagram | Size | Quantity |
| A | HEADBOARD PANEL |  | 1 | G | CSK SCREW |  | M4 x 32mm | 8 |
| B | FOOTBOARD PANEL |  | 1 | H | JCBC SCREW |  | M6 x 30mm | 6 |
| C | HEADBOARD LEG (L&R) |  | 2 | I | SPRING WASHER |  | Ø1/4" x 13mm | 6 |
| D | SLAT 3 HOLES |  | 4 | J | FLAT WASHER |  | Ø1/4" x 13mm | 6 |
| E | SLAT SUPPORT |  | 4 | K | ALLEN KEY |  | M4 x 100mm | 1 |
| F | SIDE RAIL |  | 2 | L | ALLEN KEY |  | M5 x 65mm | 1 |
| | | | | M | DC ADAPTER L.E.D |  | - | 1 |



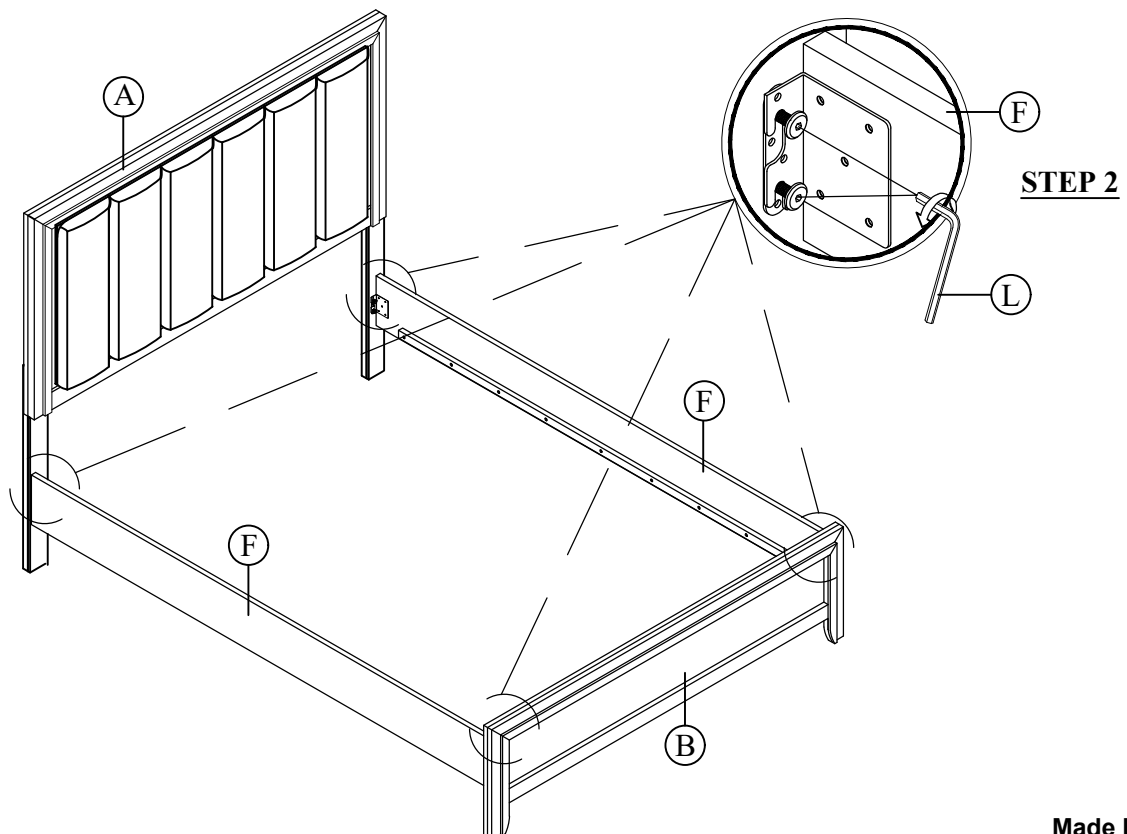
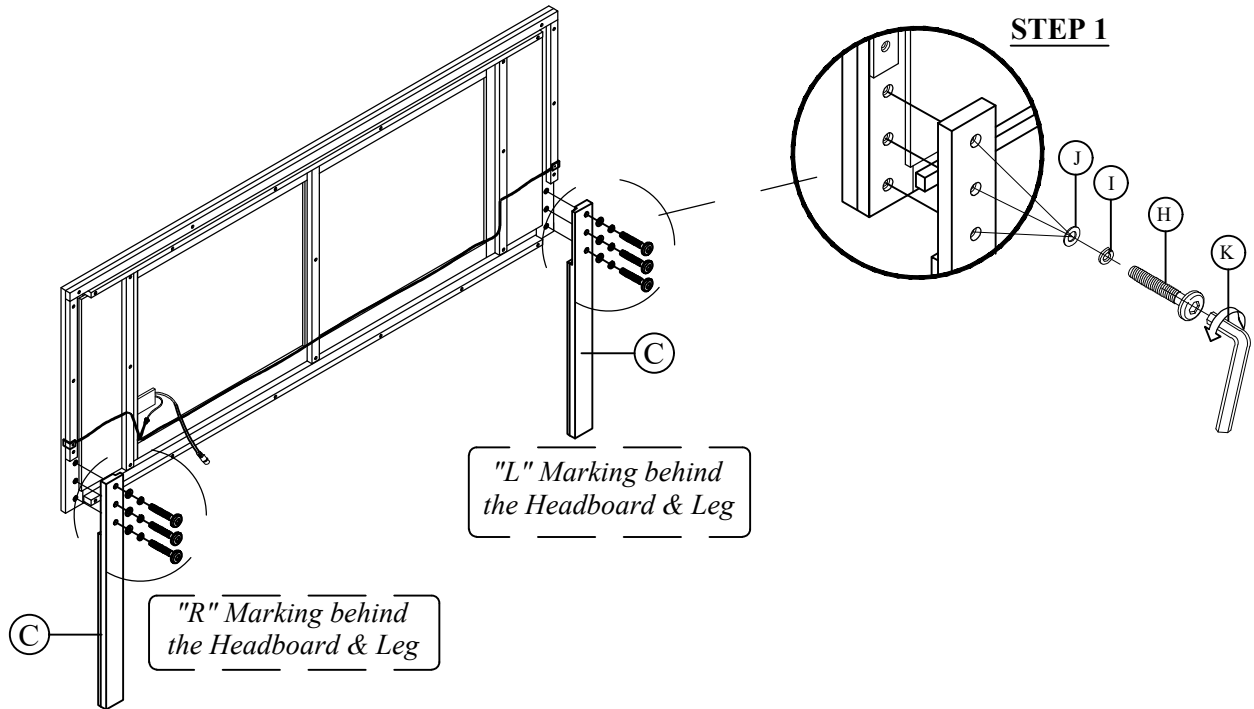
COMPLETED
QUEEN BED
ASSEMBLY

ASSEMBLY INSTRUCTION

Model : ELSIE-GREY-QB

Description : QUEEN BED

Thank you for purchasing this quality product. Be sure to check all packing material carefully for small parts that may have come loose inside the carton during shipment.



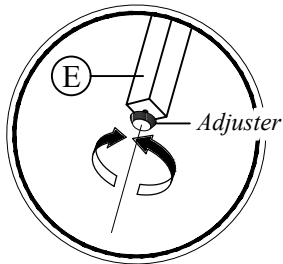
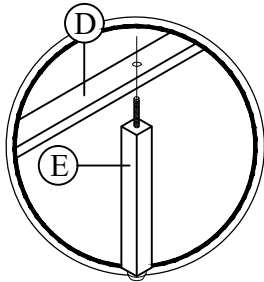
ASSEMBLY INSTRUCTION

Model : ELSIE-GREY-QB

Description : QUEEN BED

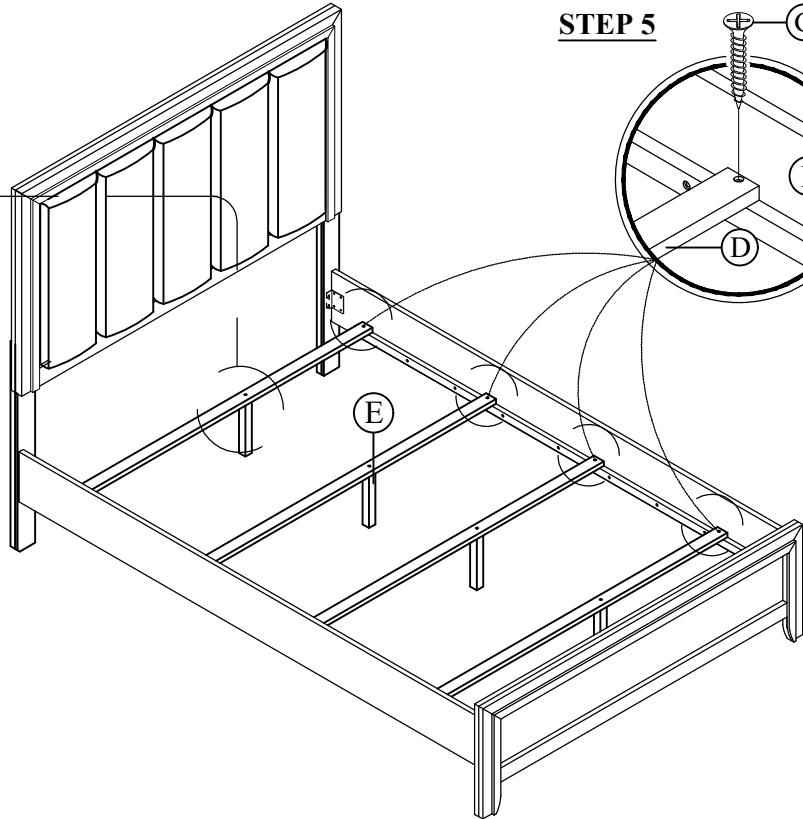
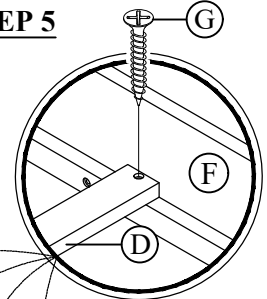
Thank you for purchasing this quality product. Be sure to check all packing material carefully for small parts that may have come loose inside the carton during shipment.

STEP 3



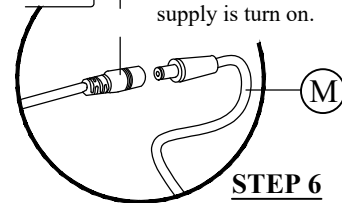
STEP 4

STEP 5

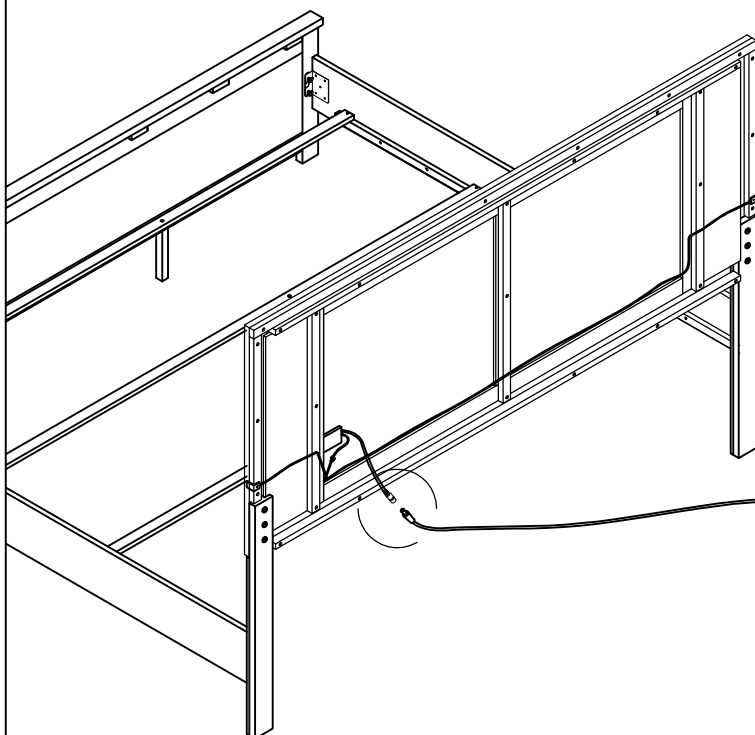


Incoming power head

Connect the sensor box with DC adapter before the power supply is turn on.



STEP 6

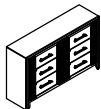



ASSEMBLY INSTRUCTION

Model : ELSIE-GREY-DR

Description : DRESSER

Thank you for purchasing this quality product. Be sure to check all packing material carefully for small parts that may have come loose inside the carton during shipment.

| PART LIST : | | | | HARDWARE LIST : | | | |
|-------------|-------------|---|----------|-----------------|------------------|---|----------|
| No. | Description | Diagram | Quantity | No. | Description | Diagram | Quantity |
| A | DRESSER |  | 1 | B | Anti Tipping Kit |  | 1 |

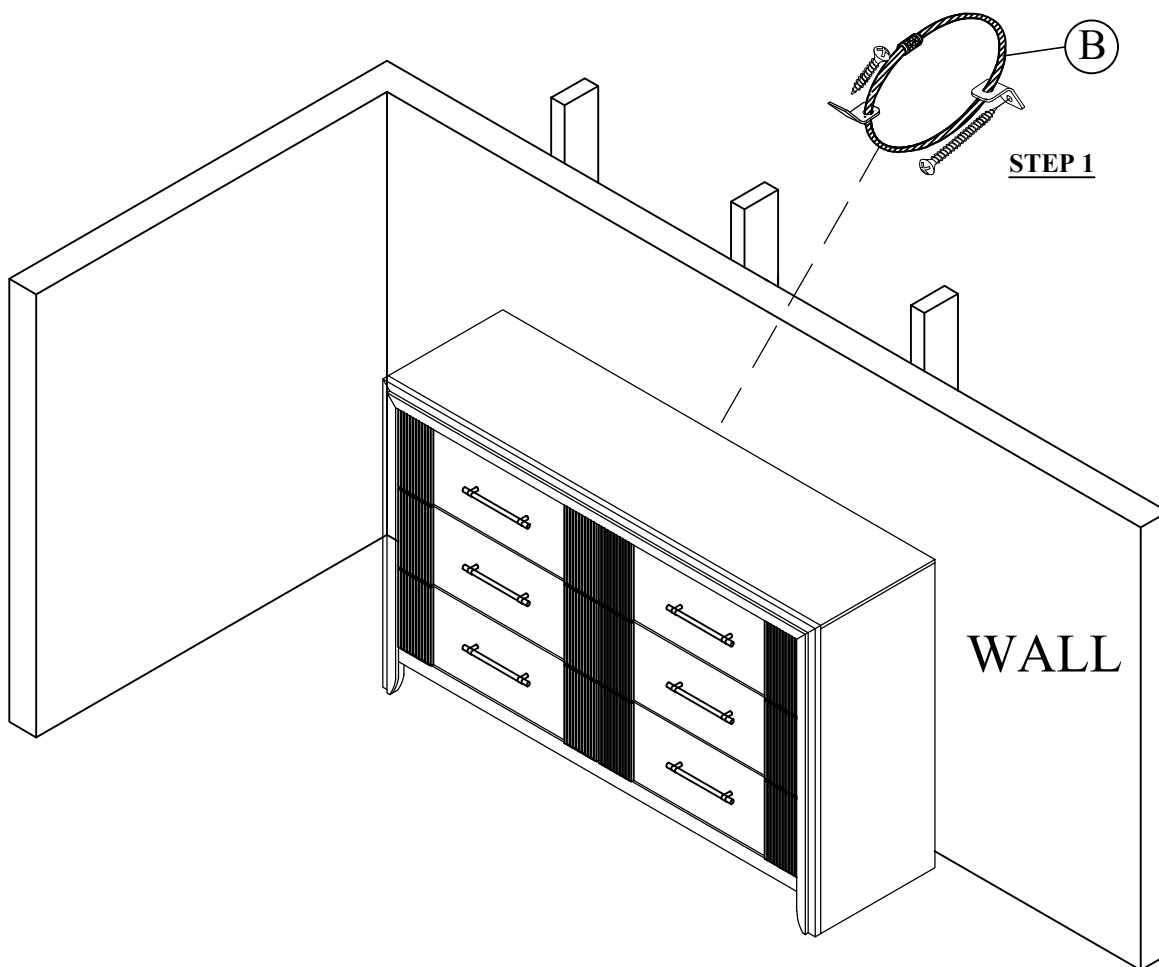
Tools Required (not provided)

DESCRIPTION
PHILLIPS SCREWDRIVER

OUTLOOK



STEP 1



STEP 1.1 : Attach one bracket securely with 38mm screw to the wall. Position the chest in place and attach another bracket with 16mm screw to the back of chest. Put the male end of the steel cable through each bracket. Connect both ends together by turning the female connector clockwise.

Page 1 of 2
Made In Malaysia

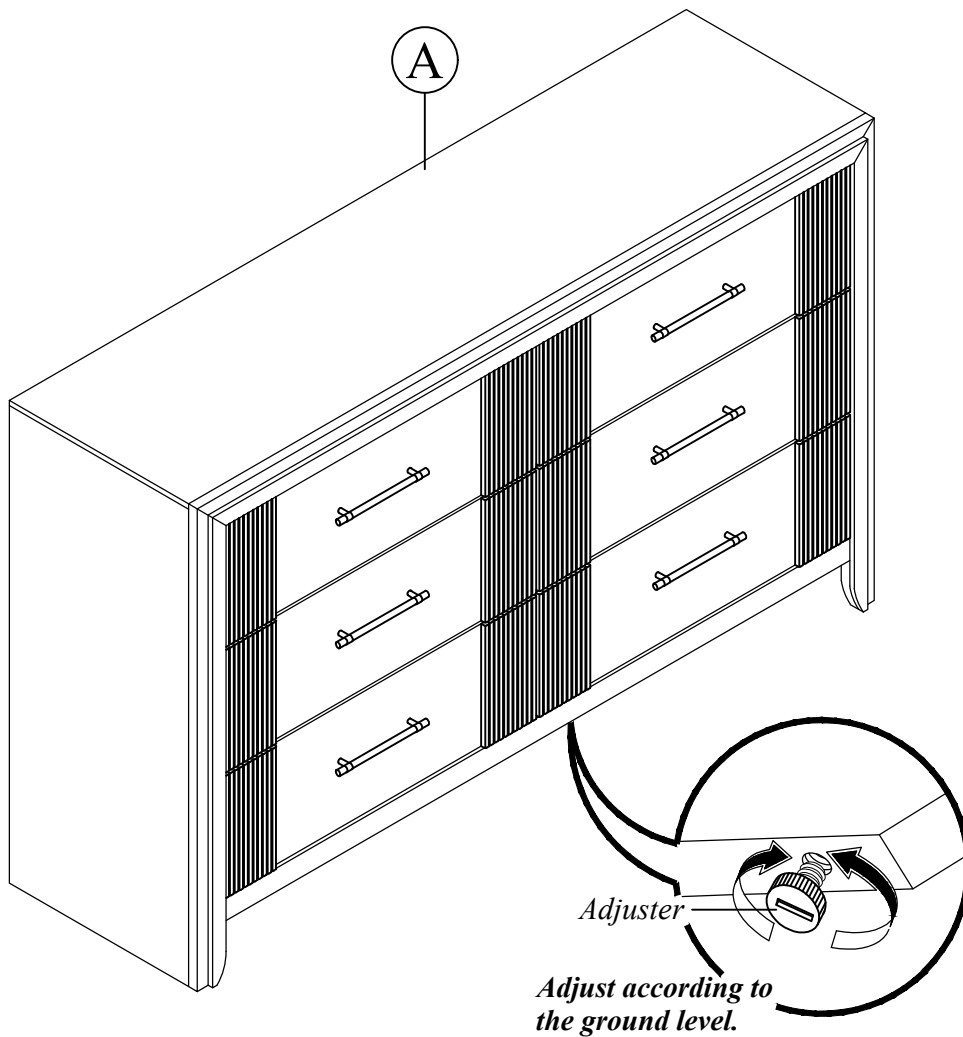
ELSIE DRESSER

ASSEMBLY INSTRUCTION

Model : ELSIE-GREY-DR

Description : DRESSER

Thank you for purchasing this quality product. Be sure to check all packing material carefully for small parts that may have come loose inside the carton during shipment.



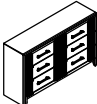
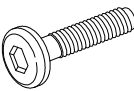





If need, please adjust the level adjuster at the bottom of dresser to align the drawer.

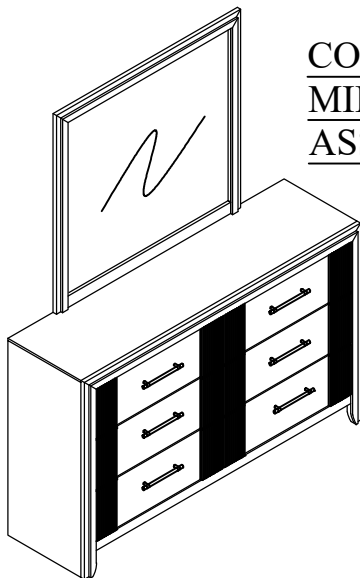
ASSEMBLY INSTRUCTION

Model : ELSIE-GREY-MR

Description : MIRROR

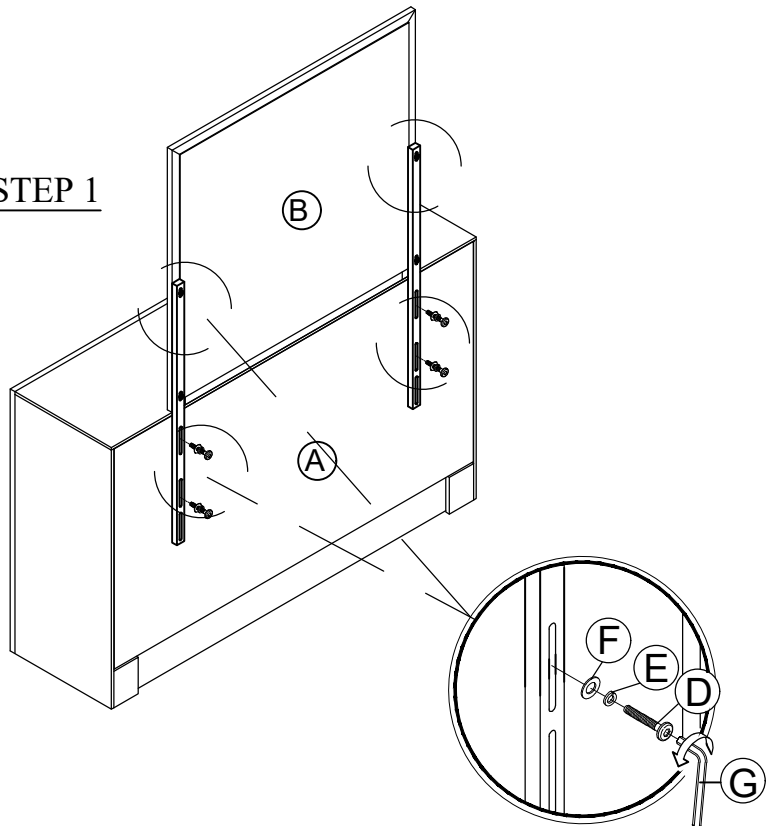
Thank you for purchasing this quality product. Be sure to check all packing material carefully for small parts that may have come loose inside the carton during shipment.

| PART LIST : | | | | HARDWARE LIST : | | | | |
|-------------|----------------|---|----------|-----------------|---------------|---|--------------|----------|
| No. | Description | Diagram | Quantity | No. | Description | Diagram | Size | Quantity |
| A | DRESSER |  | 1 | D | JCBC SCREW |  | M6 X 35mm | 8 |
| B | MIRROR |  | 1 | E | SPRING WASHER |  | Ø1/4" x 13mm | 8 |
| C | MIRROR SUPPORT |  | 2 | F | FLAT WASHER |  | Ø1/4" x 20mm | 8 |
| | | | | G | ALLEN KEY |  | M4 X 65mm | 1 |



COMPLETED MIRROR ASSEMBLY

STEP 1





ASSEMBLY INSTRUCTION

Model : ELSIE-GREY-CH

Description : CHEST

Thank you for purchasing this quality product. Be sure to check all packing material carefully for small parts that may have come loose inside the carton during shipment.

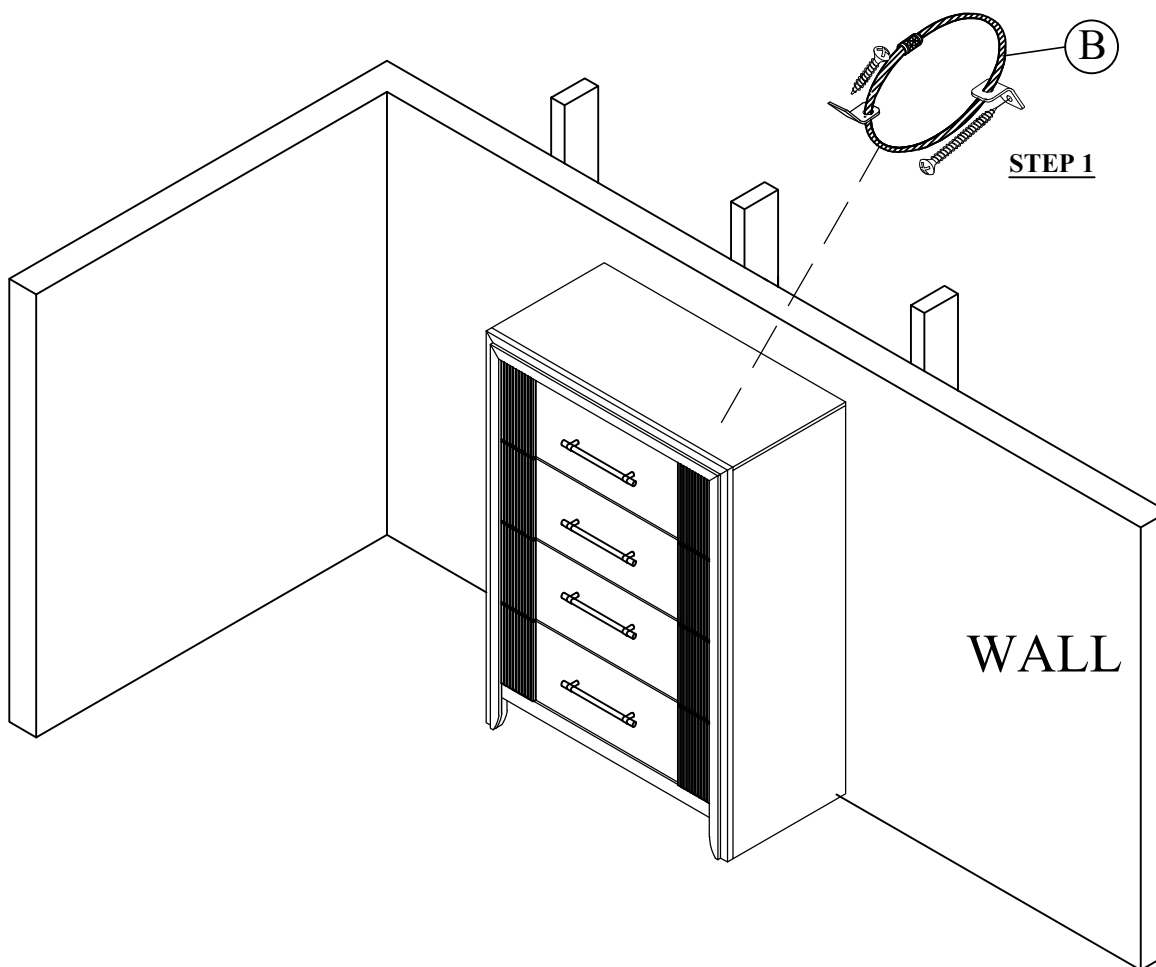
| PART LIST : | | | | HARDWARE LIST : | | | |
|-------------|-------------|---|----------|-----------------|------------------|---|----------|
| No. | Description | Diagram | Quantity | No. | Description | Diagram | Quantity |
| A | CHEST |  | 1 | B | Anti Tipping Kit |  | 1 |

Tools Required (not provided)

| DESCRIPTION |
|----------------------|
| PHILLIPS SCREWDRIVER |

| OUTLOOK |
|---|
|  |

STEP 1



STEP 1.1 : Attach one bracket securely with 38mm screw to the wall. Position the chest in place and attach another bracket with 16mm screw to the back of chest. Put the male end of the steel cable through each bracket. Connect both ends together by turning the female connector clockwise.

Page 1 of 1
Made In Malaysia