
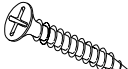

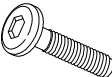


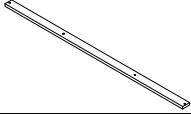

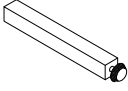
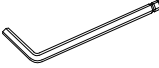
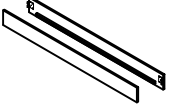




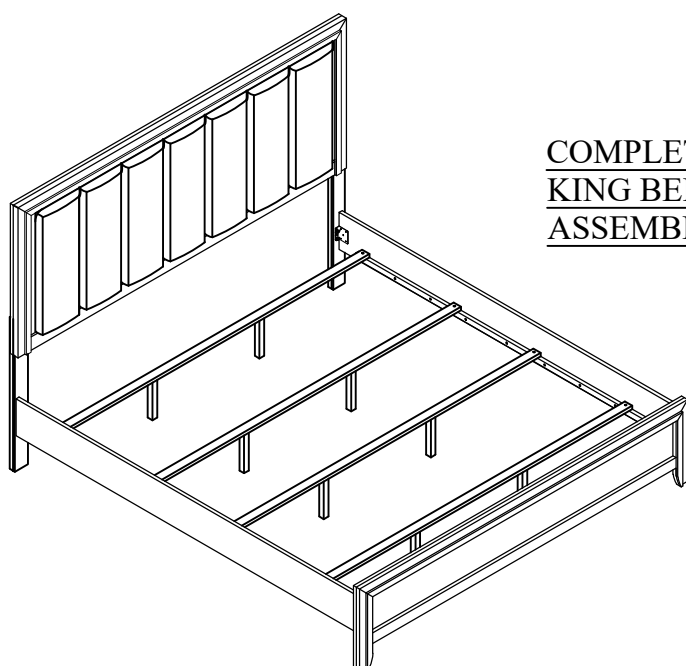
ASSEMBLY INSTRUCTION

Model : ELSIE-GREY-KB

Description : KING BED

Thank you for purchasing this quality product. Be sure to check all packing material carefully for small parts that may have come loose inside the carton during shipment.

PART LIST :				HARDWARE LIST :				
No.	Description	Diagram	Quantity	No.	Description	Diagram	Size	Quantity
A	HEADBOARD PANEL		1	G	CSK SCREW		M4 x 32mm	8
B	FOOTBOARD PANEL		1	H	JCBC SCREW		M6 x 30mm	6
C	HEADBOARD LEG (L&R)		2	I	SPRING WASHER		Ø1/4" x 13mm	6
D	SLAT 4 HOLES		4	J	FLAT WASHER		Ø1/4" x 13mm	6
E	SLAT SUPPORT		8	K	ALLEN KEY		M4 x 100mm	1
F	SIDE RAIL		2	L	ALLEN KEY		M5 x 65mm	1
				M	DC ADAPTER L.E.D		-	1



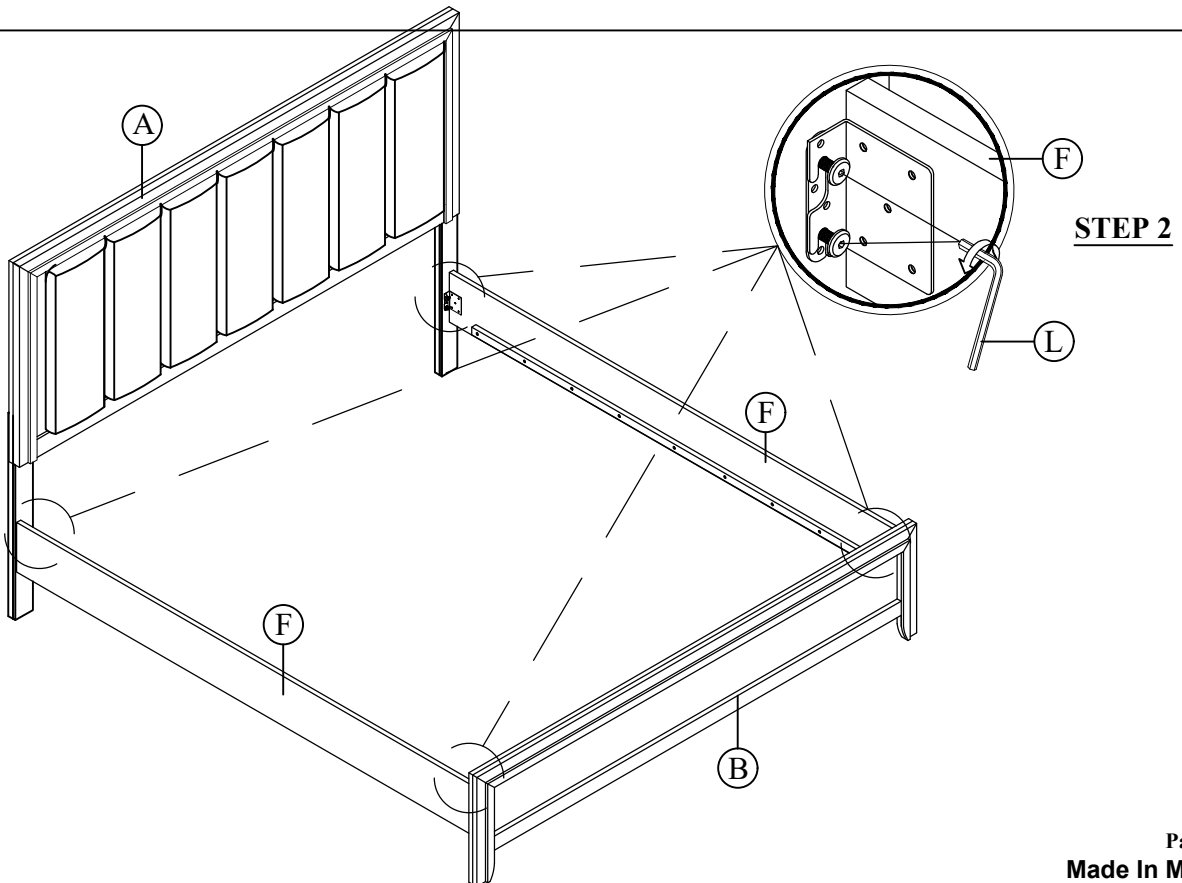
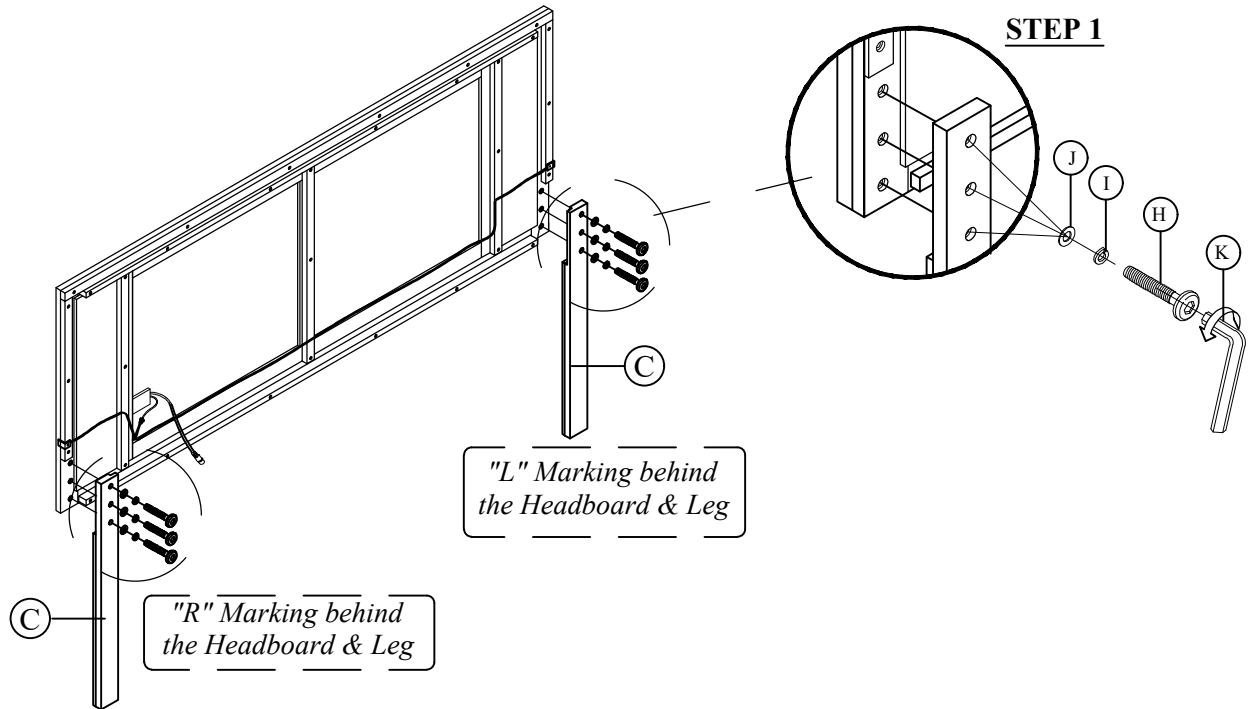
COMPLETED
KING BED
ASSEMBLY

ASSEMBLY INSTRUCTION

Model : ELSIE-GREY-KB

Description : KING BED

Thank you for purchasing this quality product. Be sure to check all packing material carefully for small parts that may have come loose inside the carton during shipment.



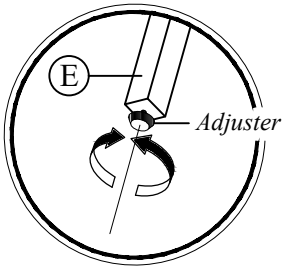
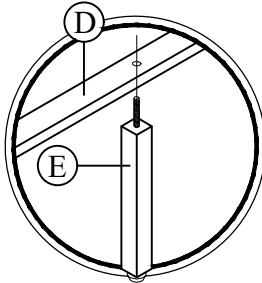
ASSEMBLY INSTRUCTION

Model : ELSIE-GREY-KB

Description : KING BED

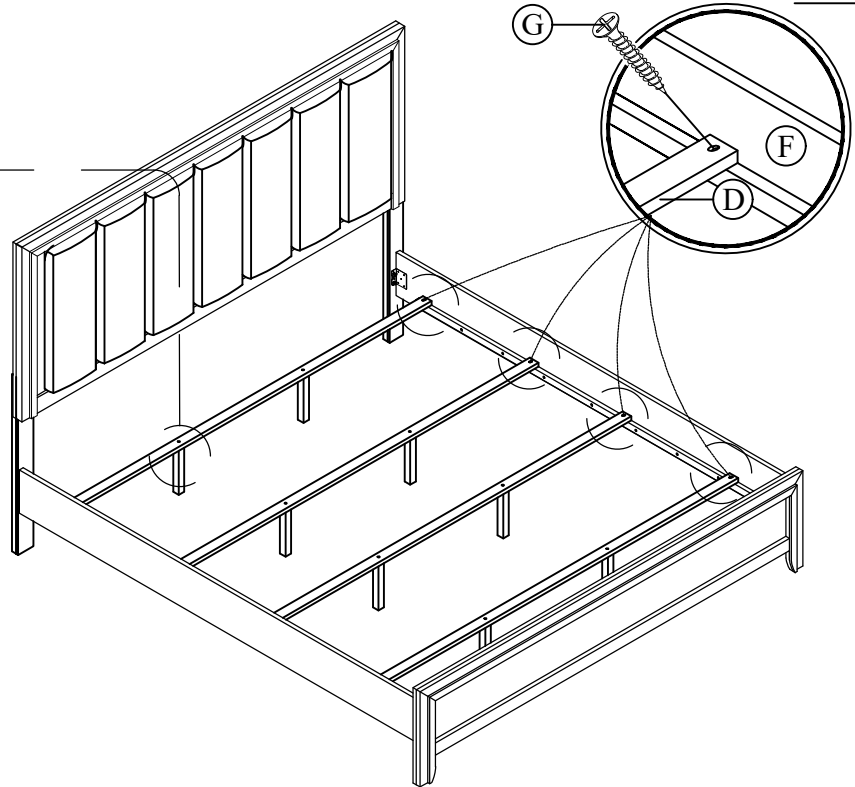
Thank you for purchasing this quality product. Be sure to check all packing material carefully for small parts that may have come loose inside the carton during shipment.

STEP 3



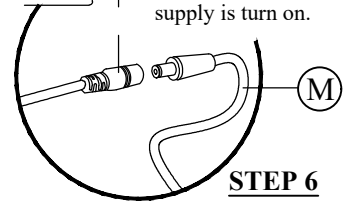
STEP 4

STEP 5

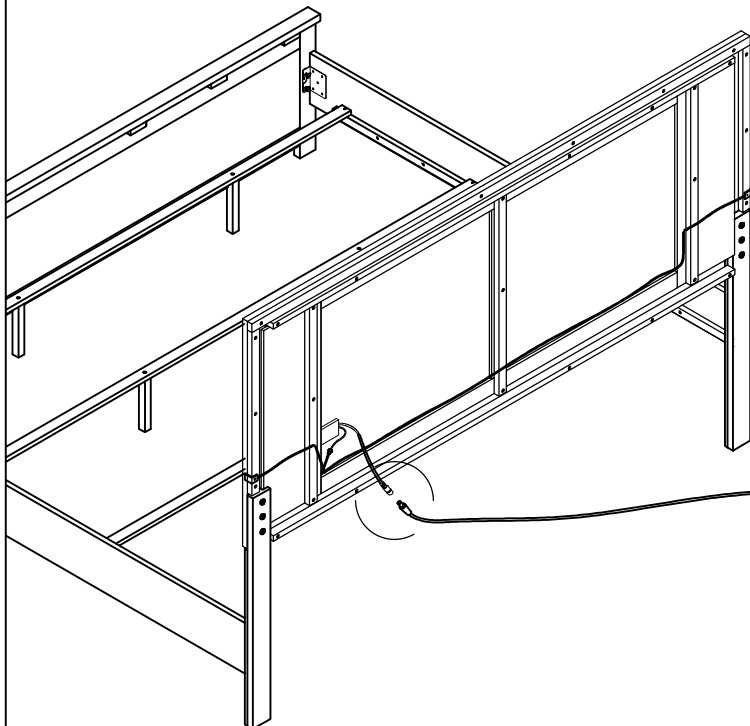


Incoming power head

Connect the sensor box with DC adapter before the power supply is turn on.



STEP 6

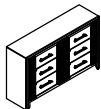



ASSEMBLY INSTRUCTION

Model : ELSIE-GREY-DR

Description : DRESSER

Thank you for purchasing this quality product. Be sure to check all packing material carefully for small parts that may have come loose inside the carton during shipment.

PART LIST :				HARDWARE LIST :			
No.	Description	Diagram	Quantity	No.	Description	Diagram	Quantity
A	DRESSER		1	B	Anti Tipping Kit		1

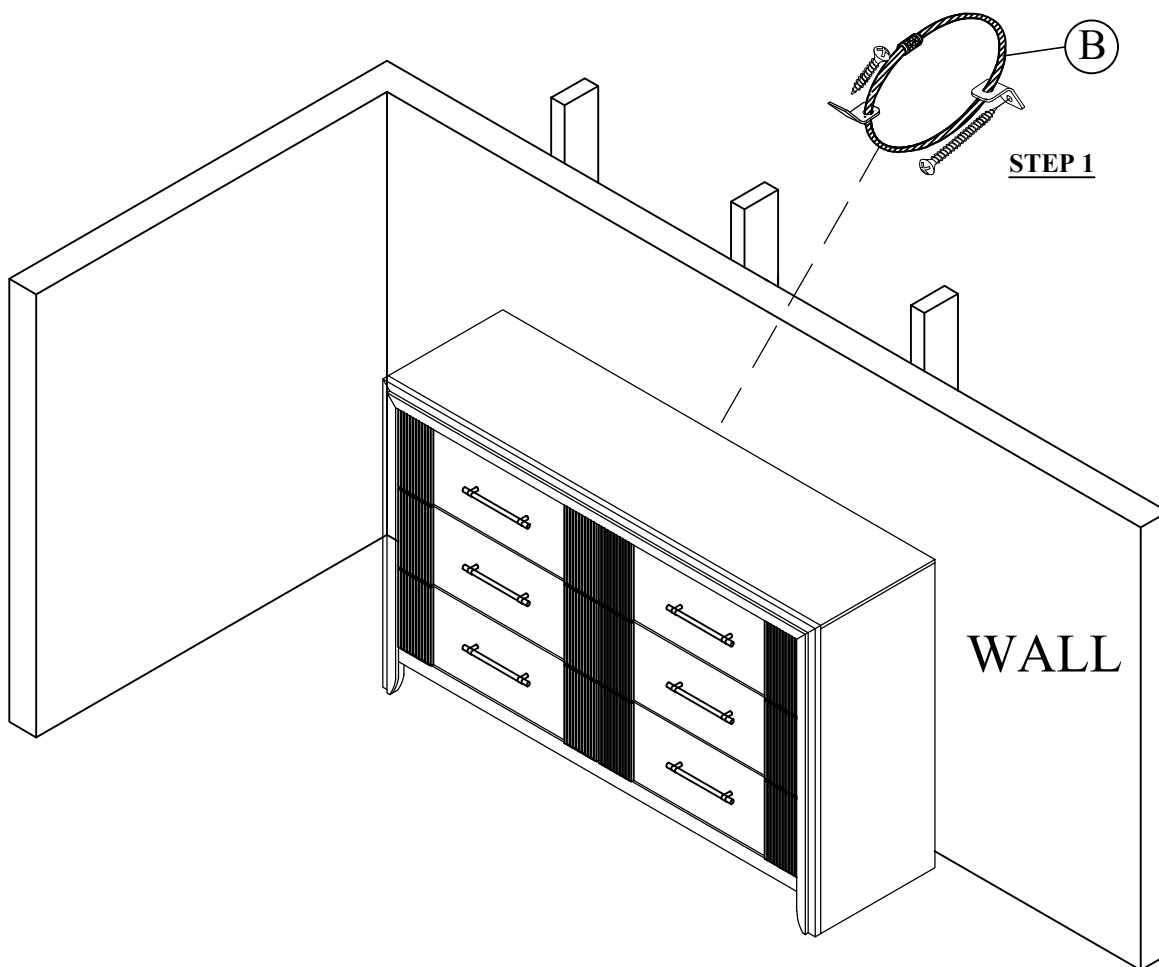
Tools Required (not provided)

DESCRIPTION
PHILLIPS SCREWDRIVER

OUTLOOK



STEP 1



STEP 1.1 : Attach one bracket securely with 38mm screw to the wall. Position the chest in place and attach another bracket with 16mm screw to the back of chest. Put the male end of the steel cable through each bracket. Connect both ends together by turning the female connector clockwise.

Page 1 of 2
Made In Malaysia

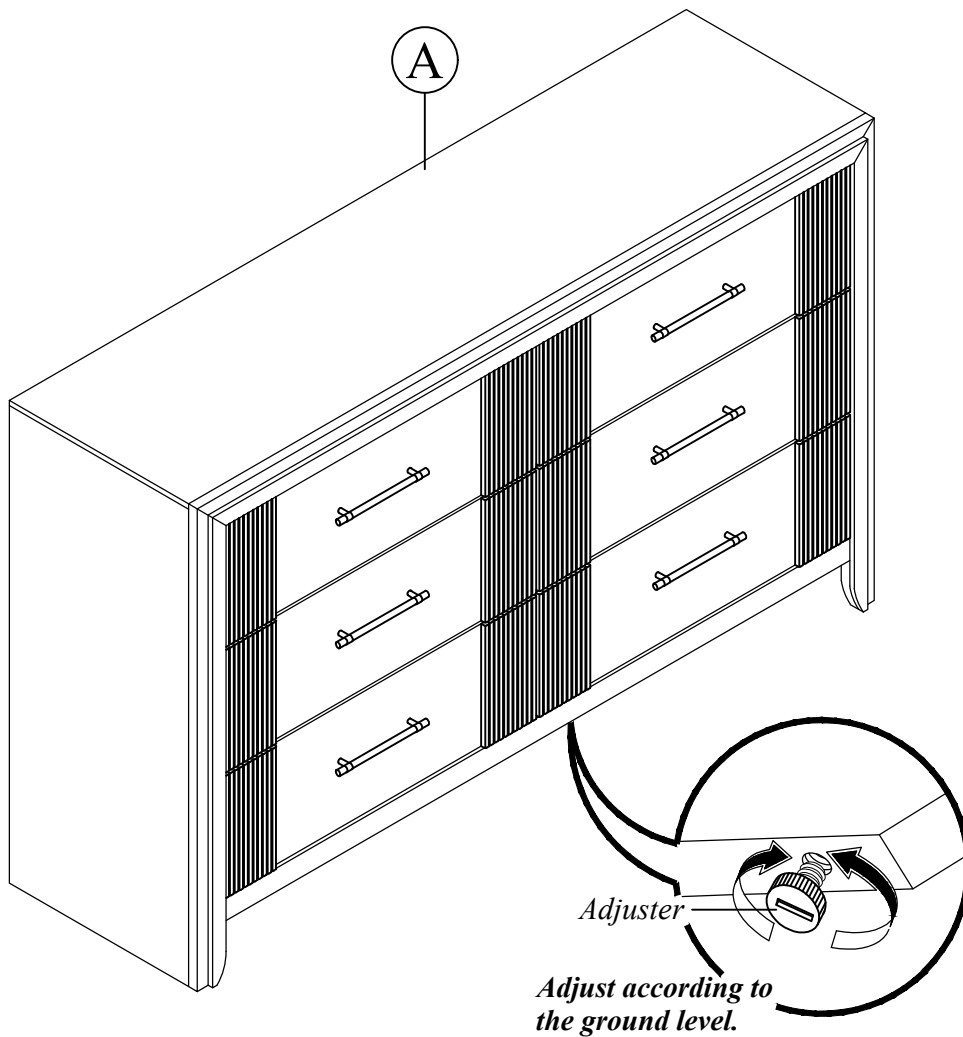
ELSIE DRESSER

ASSEMBLY INSTRUCTION

Model : ELSIE-GREY-DR

Description : DRESSER

Thank you for purchasing this quality product. Be sure to check all packing material carefully for small parts that may have come loose inside the carton during shipment.



If need, please adjust the level adjuster at the bottom of dresser to align the drawer.

ASSEMBLY INSTRUCTION

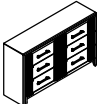
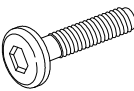





Model : ELSIE-GREY-MR

Description : MIRROR

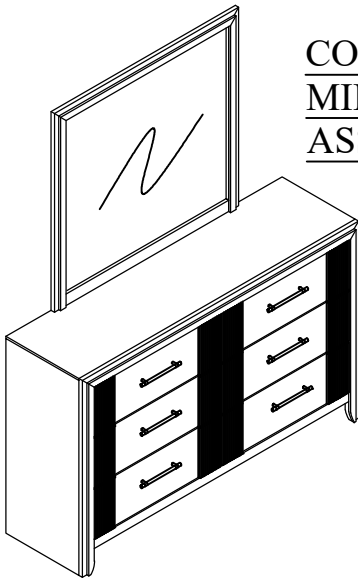
Thank you for purchasing this quality product. Be sure to check all packing material carefully for small parts that may have come loose inside the carton during shipment.

PART LIST :

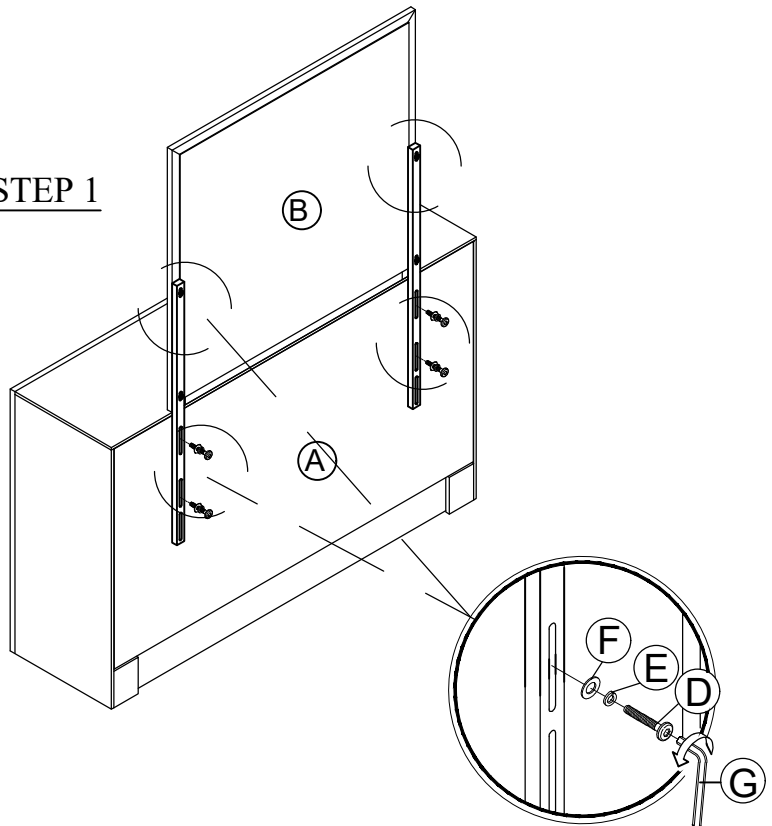
HARDWARE LIST :

No.	Description	Diagram	Quantity	No.	Description	Diagram	Size	Quantity
A	DRESSER		1	D	JCBC SCREW		M6 X 35mm	8
B	MIRROR		1	E	SPRING WASHER		Ø1/4" x 13mm	8
C	MIRROR SUPPORT		2	F	FLAT WASHER		Ø1/4" x 20mm	8
				G	ALLEN KEY		M4 X 65mm	1

COMPLETED
MIRROR
ASSEMBLY



STEP 1





ASSEMBLY INSTRUCTION

Model : ELSIE-GREY-CH

Description : CHEST

Thank you for purchasing this quality product. Be sure to check all packing material carefully for small parts that may have come loose inside the carton during shipment.

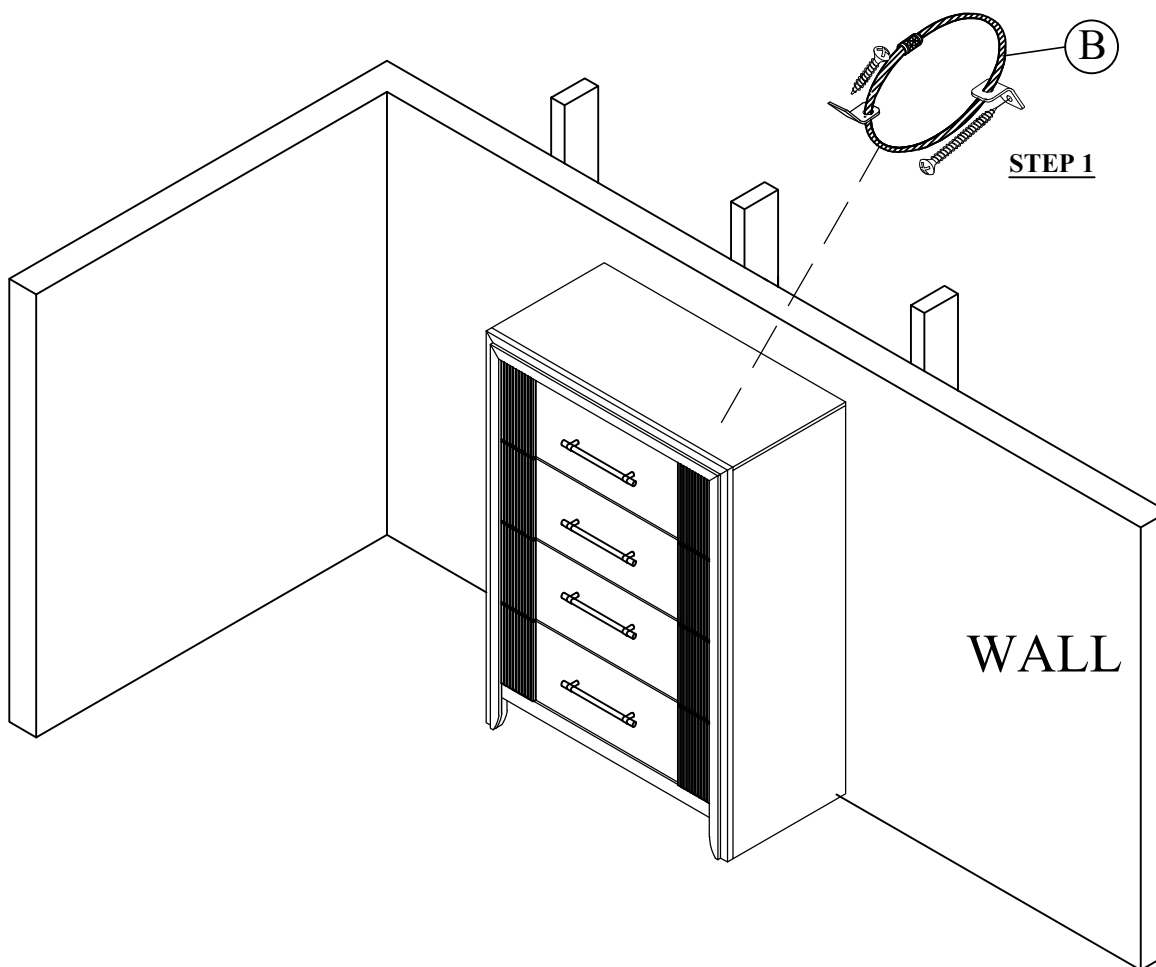
PART LIST :				HARDWARE LIST :			
No.	Description	Diagram	Quantity	No.	Description	Diagram	Quantity
A	CHEST		1	B	Anti Tipping Kit		1

Tools Required (not provided)

DESCRIPTION
PHILLIPS SCREWDRIVER

OUTLOOK


STEP 1



STEP 1.1 : Attach one bracket securely with 38mm screw to the wall. Position the chest in place and attach another bracket with 16mm screw to the back of chest. Put the male end of the steel cable through each bracket. Connect both ends together by turning the female connector clockwise.

Page 1 of 1
Made In Malaysia