
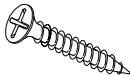

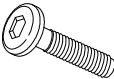


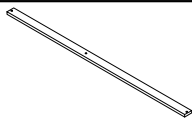

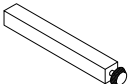

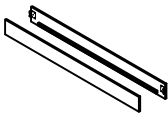




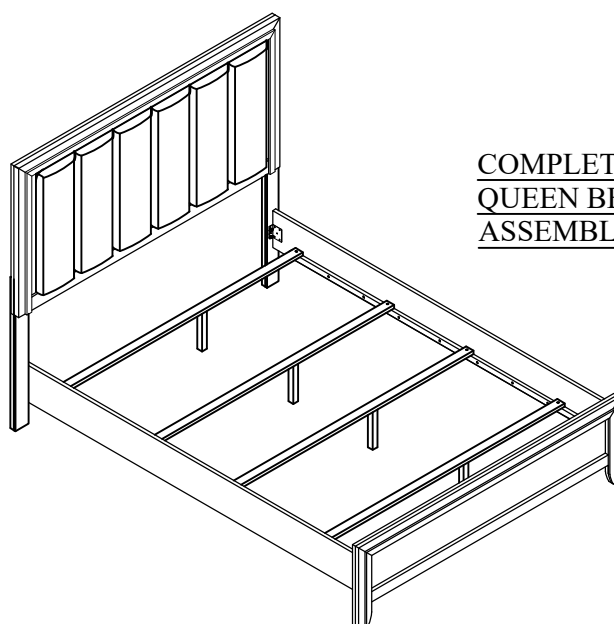
ASSEMBLY INSTRUCTION

Model : ELSIE-GREY-QB

Description : QUEEN BED

Thank you for purchasing this quality product. Be sure to check all packing material carefully for small parts that may have come loose inside the carton during shipment.

PART LIST :				HARDWARE LIST :				
No.	Description	Diagram	Quantity	No.	Description	Diagram	Size	Quantity
A	HEADBOARD PANEL		1	G	CSK SCREW		M4 x 32mm	8
B	FOOTBOARD PANEL		1	H	JCBC SCREW		M6 x 30mm	6
C	HEADBOARD LEG (L&R)		2	I	SPRING WASHER		Ø1/4" x 13mm	6
D	SLAT 3 HOLES		4	J	FLAT WASHER		Ø1/4" x 13mm	6
E	SLAT SUPPORT		4	K	ALLEN KEY		M4 x 100mm	1
F	SIDE RAIL		2	L	ALLEN KEY		M5 x 65mm	1
				M	DC ADAPTER L.E.D		-	1



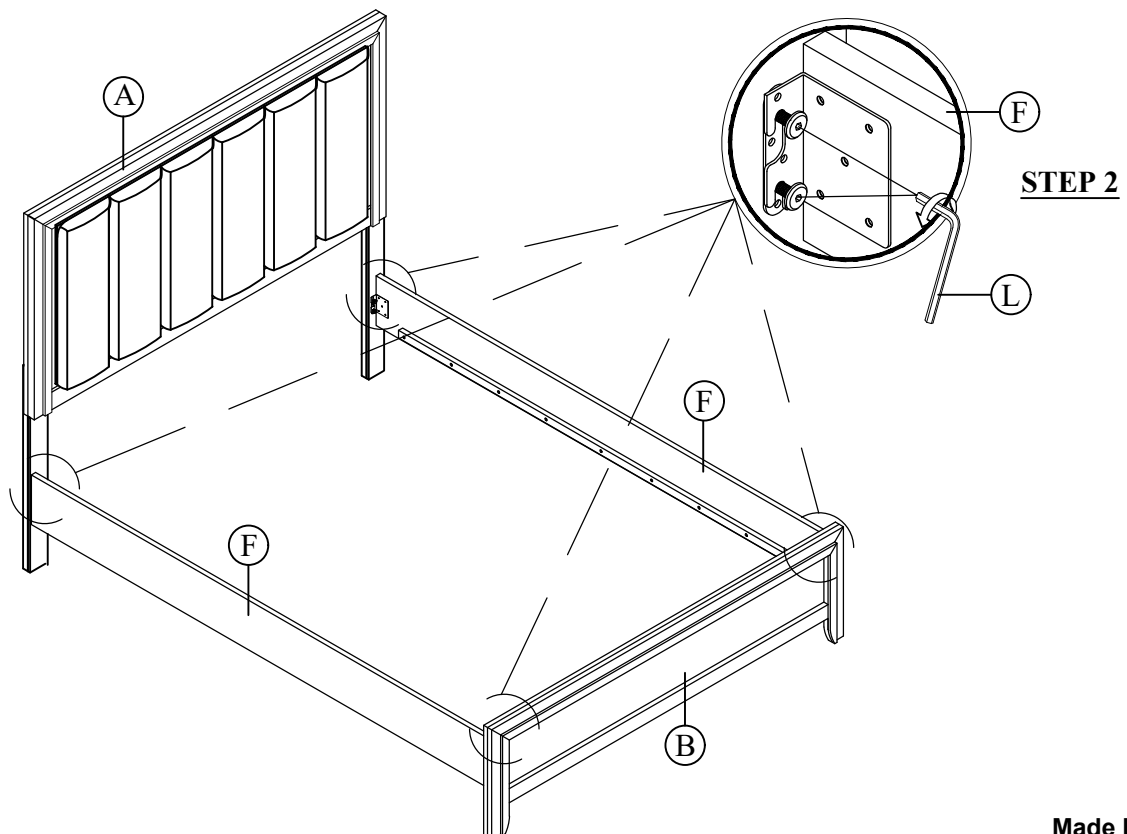
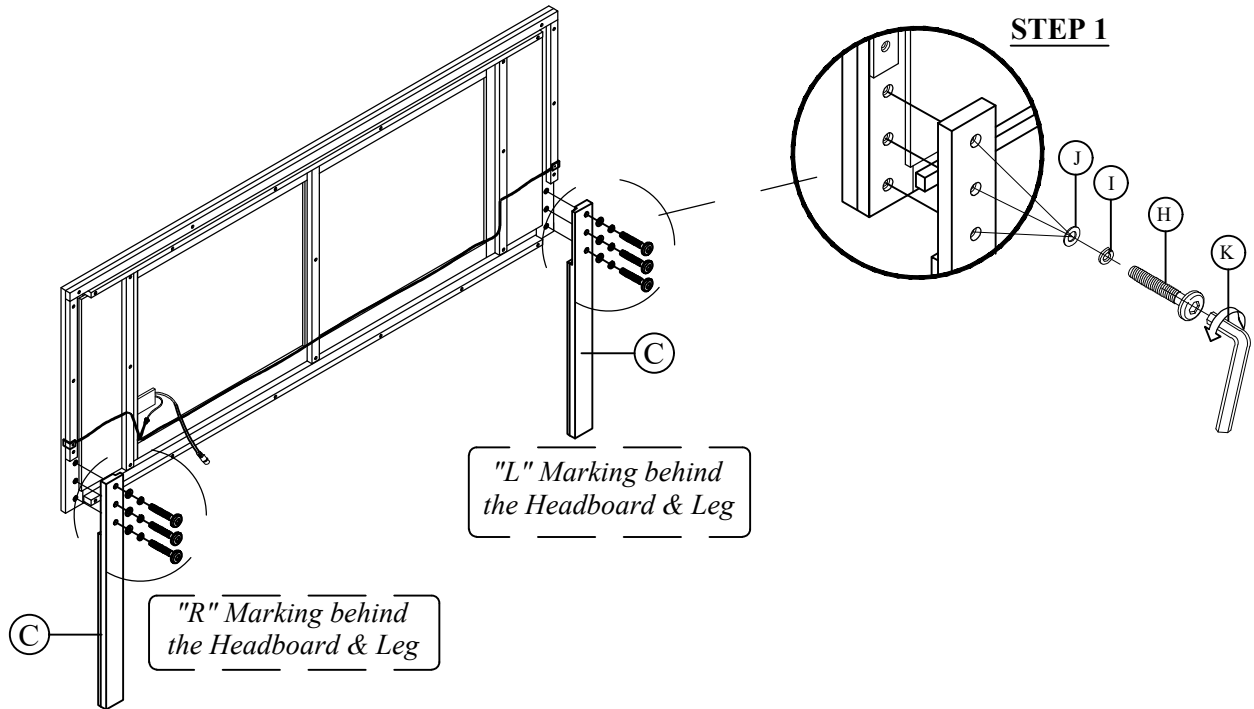
COMPLETED
QUEEN BED
ASSEMBLY

ASSEMBLY INSTRUCTION

Model : ELSIE-GREY-QB

Description : QUEEN BED

Thank you for purchasing this quality product. Be sure to check all packing material carefully for small parts that may have come loose inside the carton during shipment.



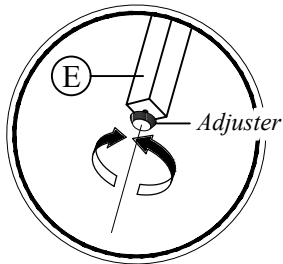
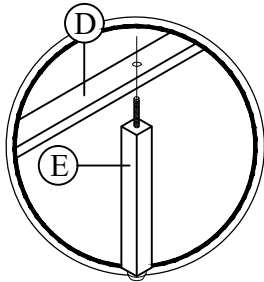
ASSEMBLY INSTRUCTION

Model : ELSIE-GREY-QB

Description : QUEEN BED

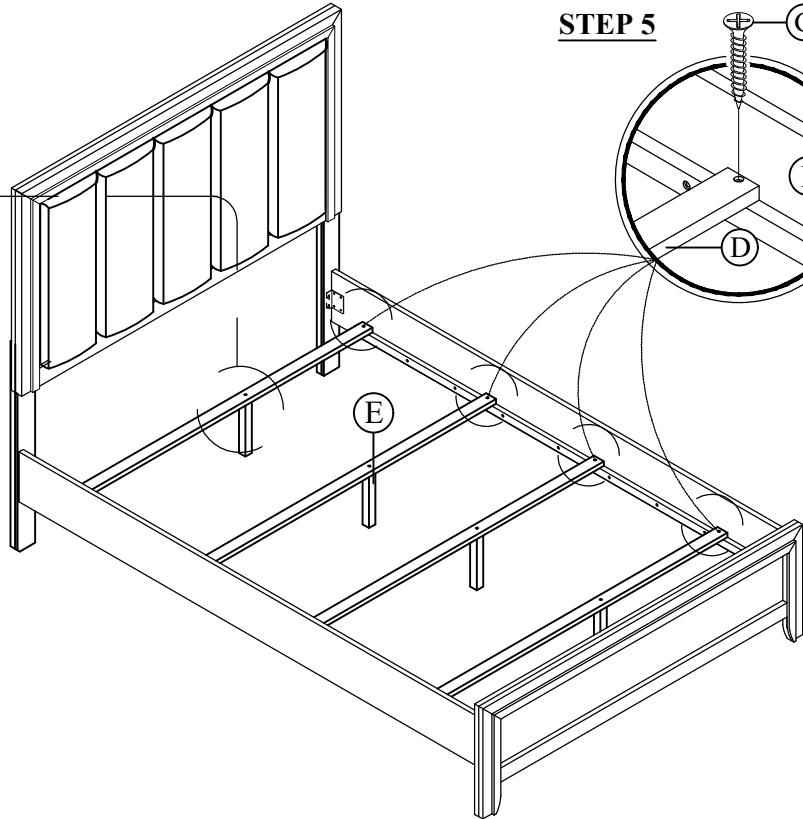
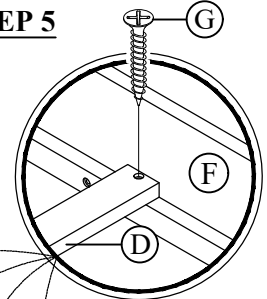
Thank you for purchasing this quality product. Be sure to check all packing material carefully for small parts that may have come loose inside the carton during shipment.

STEP 3



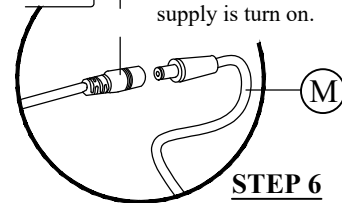
STEP 4

STEP 5



Incoming power head

Connect the sensor box with DC adapter before the power supply is turn on.



STEP 6

