
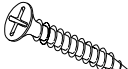

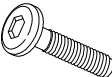


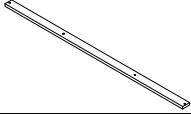

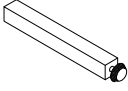
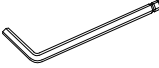
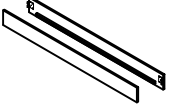




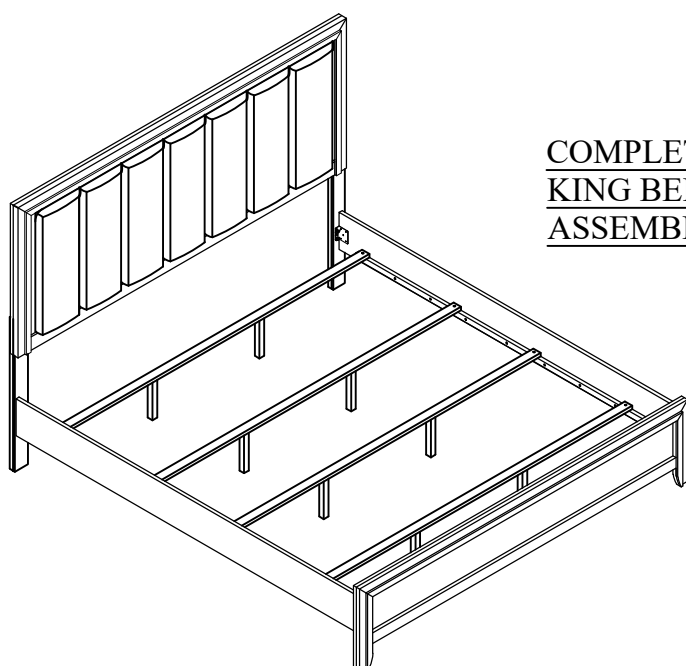
# ASSEMBLY INSTRUCTION

**Model : ELSIE-GREY-KB**

**Description : KING BED**

Thank you for purchasing this quality product. Be sure to check all packing material carefully for small parts that may have come loose inside the carton during shipment.

PART LIST :				HARDWARE LIST :				
No.	Description	Diagram	Quantity	No.	Description	Diagram	Size	Quantity
A	HEADBOARD PANEL		1	G	CSK SCREW		M4 x 32mm	8
B	FOOTBOARD PANEL		1	H	JCBC SCREW		M6 x 30mm	6
C	HEADBOARD LEG (L&R)		2	I	SPRING WASHER		Ø1/4" x 13mm	6
D	SLAT 4 HOLES		4	J	FLAT WASHER		Ø1/4" x 13mm	6
E	SLAT SUPPORT		8	K	ALLEN KEY		M4 x 100mm	1
F	SIDE RAIL		2	L	ALLEN KEY		M5 x 65mm	1
				M	DC ADAPTER L.E.D		-	1



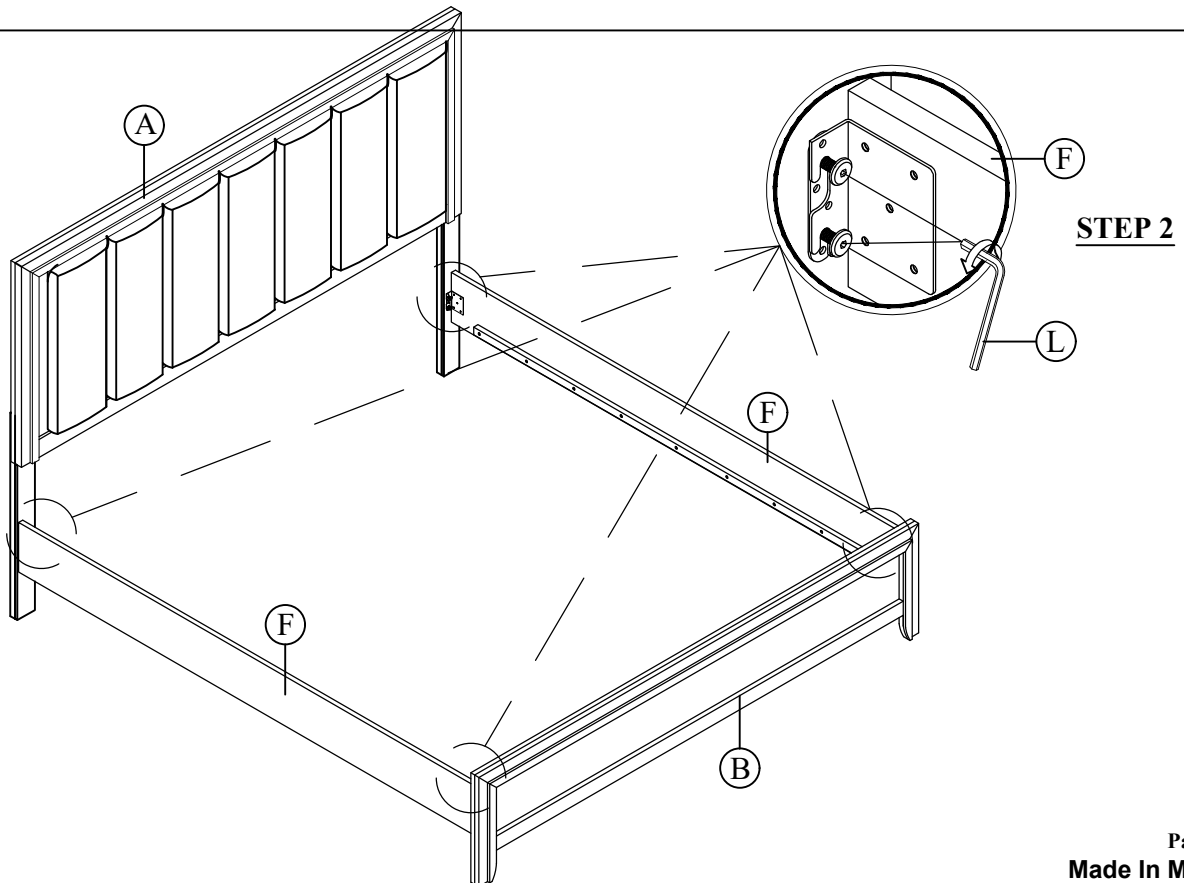
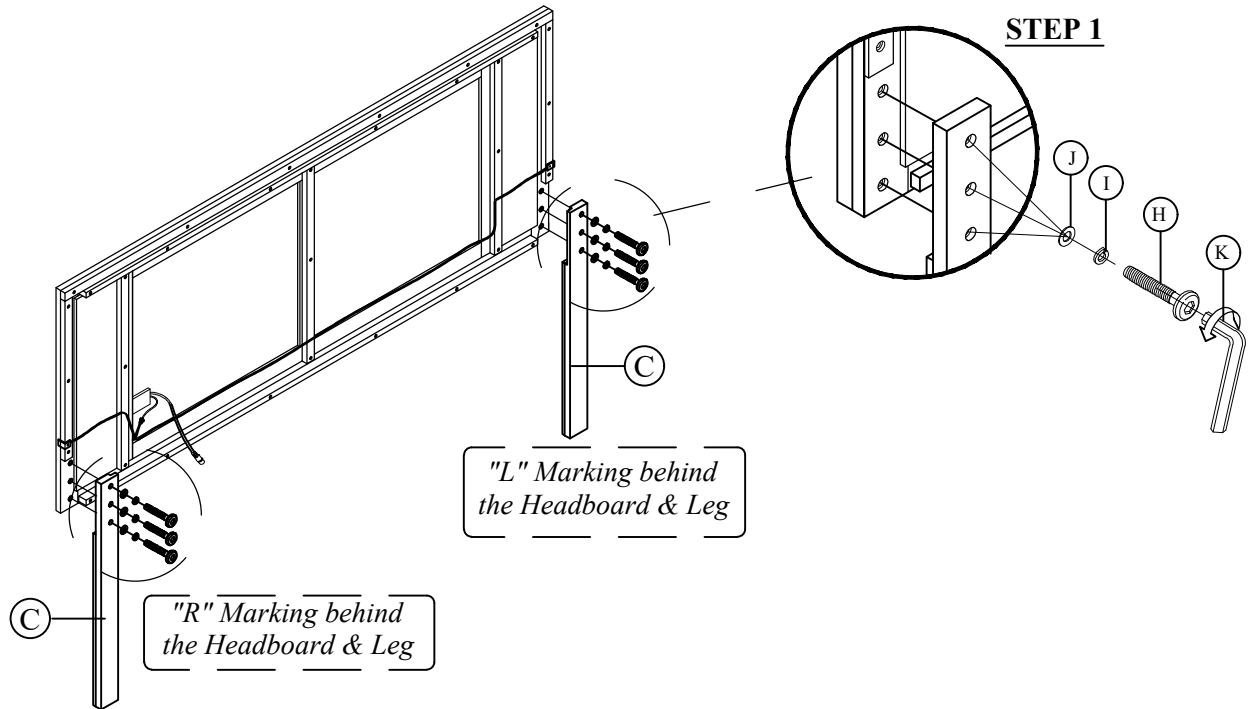
COMPLETED  
KING BED  
ASSEMBLY

# ASSEMBLY INSTRUCTION

Model : ELSIE-GREY-KB

Description : KING BED

Thank you for purchasing this quality product. Be sure to check all packing material carefully for small parts that may have come loose inside the carton during shipment.



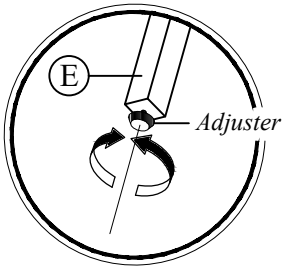
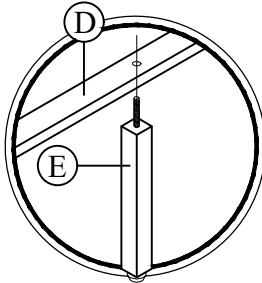
# ASSEMBLY INSTRUCTION

Model : ELSIE-GREY-KB

Description : KING BED

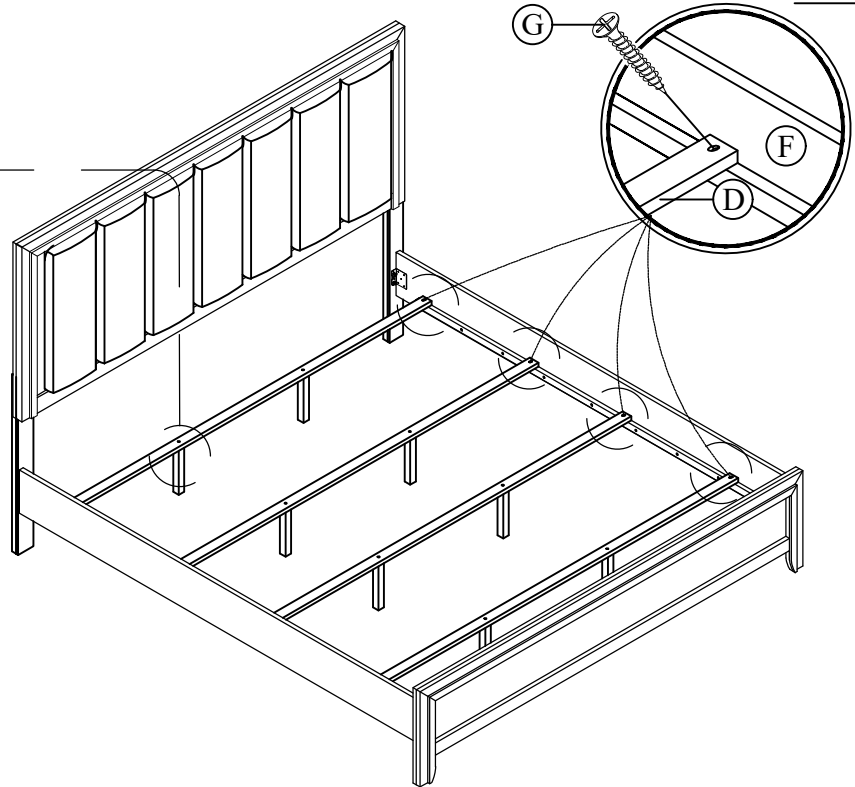
Thank you for purchasing this quality product. Be sure to check all packing material carefully for small parts that may have come loose inside the carton during shipment.

## STEP 3



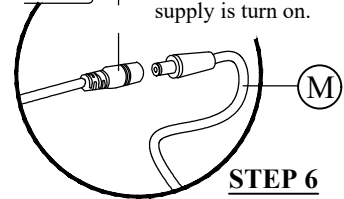
## STEP 4

## STEP 5



Incoming power head

Connect the sensor box with DC adapter before the power supply is turn on.



## STEP 6

