

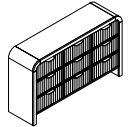
# ASSEMBLY INSTRUCTION

Model : BECKETT-DR W/ LED



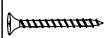
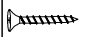
Description : Dresser w/ Led

Thank you for purchasing this quality product. Be sure to check all packing materials carefully for small parts, which may have come loose inside the carton during shipment.

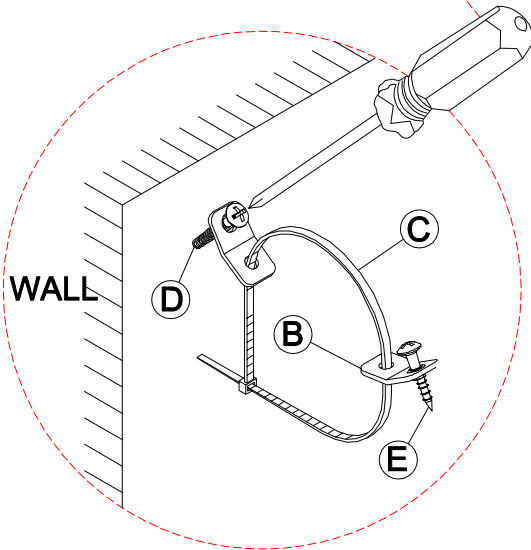
## PART LIST:

No.	Description	Diagram	Quantity
A	Dresser		1

## HARDWARE LIST:

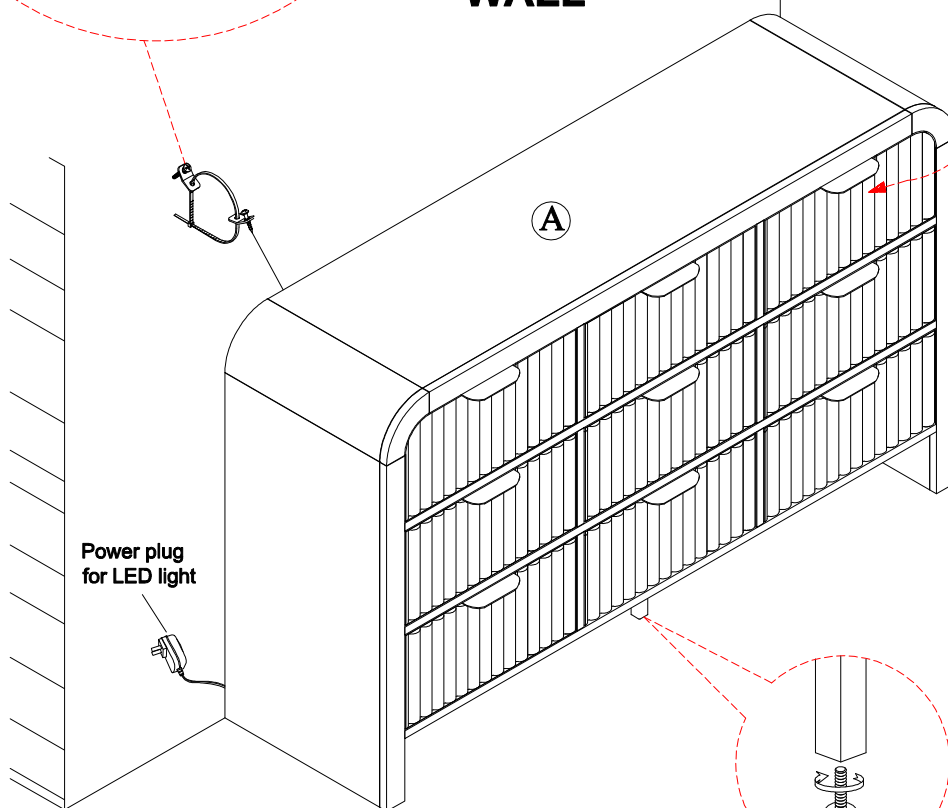
No.	Description	Diagram	Size	Quantity
B	Bracket			2
C	Tie Wrap			1
D	Long Screw		Ø4x50mm	1
E	Short Screw		Ø4x15mm	1

PHILLIPS SCREWDRIVER  
(not provided)



WALL

Anti-tipping kit is located inside the top drawer



Touch

Leveler

The tipping restraint must be attached at back of Dresser, above and on the right or left.