

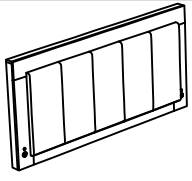

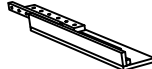
ASSEMBLY INSTRUCTIONS

Model : Emma-Natural/White/Black/Gray-QB-HB W/LED / USB
 Emma-Natural/White/Black/Gray-QB-HB Base
 Emma-Natural/White/Black/Gray-QB-FB W/Drawer & Shelf
 Emma-Natural/White/Black/Gray-QB/KB-SR DWR 1
 Emma-Natural/White/Black/Gray-QB/KB-SR DWR 2

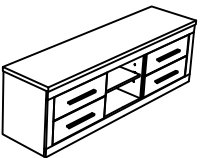
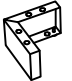
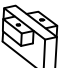

Description : Queen Bed Headboard W/LED & USB
 Queen Bed Headboard Base
 Queen Bed Footboard With 2 Drawers & 1 Shelf
 Queen/King Bed Siderail Drawer1
 Queen/King Bed Siderail Drawer2

Thank you for purchasing this quality product. Be sure to check all packing materials carefully for small parts, that may have come loose inside the carton during shipment

PART LIST : UPPER HEADBOARD BOX

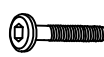





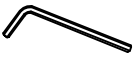


| No | Description | Diagram | Quantity |
|----|---------------------|---|----------|
| A | Headboard |  | 1 pc |
| B | Headboard Leg Left |  | 1 pc |
| C | Headboard Leg Right |  | 1 pc |

PART LIST : STORAGE FOOTBOARD BOX

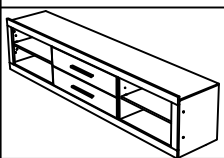
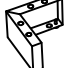


| No | Description | Diagram | Quantity |
|----|-----------------------------|---|----------|
| D | Storage Footboard |  | 1 pc |
| E | Chrome Metal Leg |  | 4 pcs |
| F | Footboard Bottom Center Leg |  | 2 pcs |
| G | Bed Slat |  | 14 pcs |

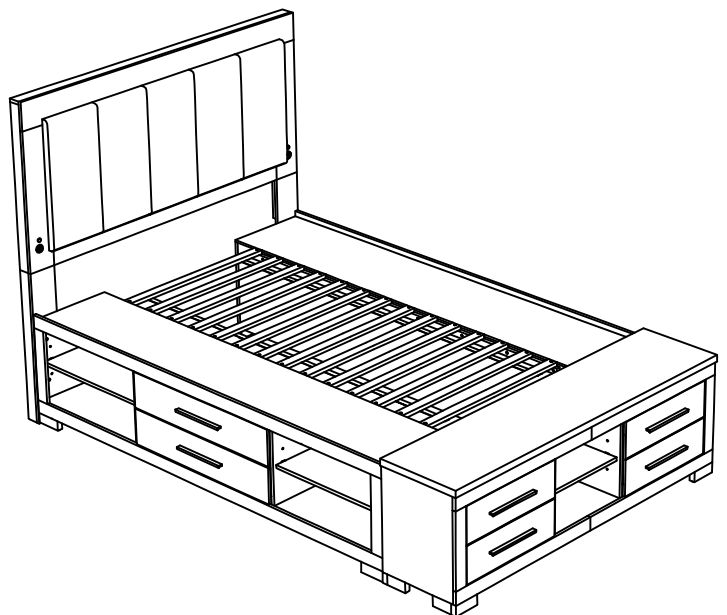
HARDWARE LIST

PACKED IN UPPER HEADBOARD BOX

| No | Description | Diagram | Size | Quantity |
|----|---------------------------|---|---------------------------------|----------|
| 1 | JCBC Bolt |  | M6 x 30mm | 8 pcs |
| 2 | Spring Washer |  | Spring Washer 1/4" Blk | 8 pcs |
| 3 | Flat Washer |  | Flat Washer 1/4" ID 19mm OD Blk | 8 pcs |
| 4 | Flat Head Chipboard Screw |  | CSK M4 x 32mm | 48 pcs |
| 5 | Pan Head Chipboard Screw |  | Pan Head Screw M3.5 x 16 blk | 32 pcs |
| 6 | Flat Head Chipboard Screw |  | CSK M4 x 25mm | 12 pcs |
| 7 | Allen Key |  | ALLEN KEY m4x65mm Blk | 1 pc |
| 8 | Adaptor Led |  | | 1 pc |
| 9 | Adaptor Usb |  | | 1 pc |

PART LIST : STORAGE SIDE RAILS BOX

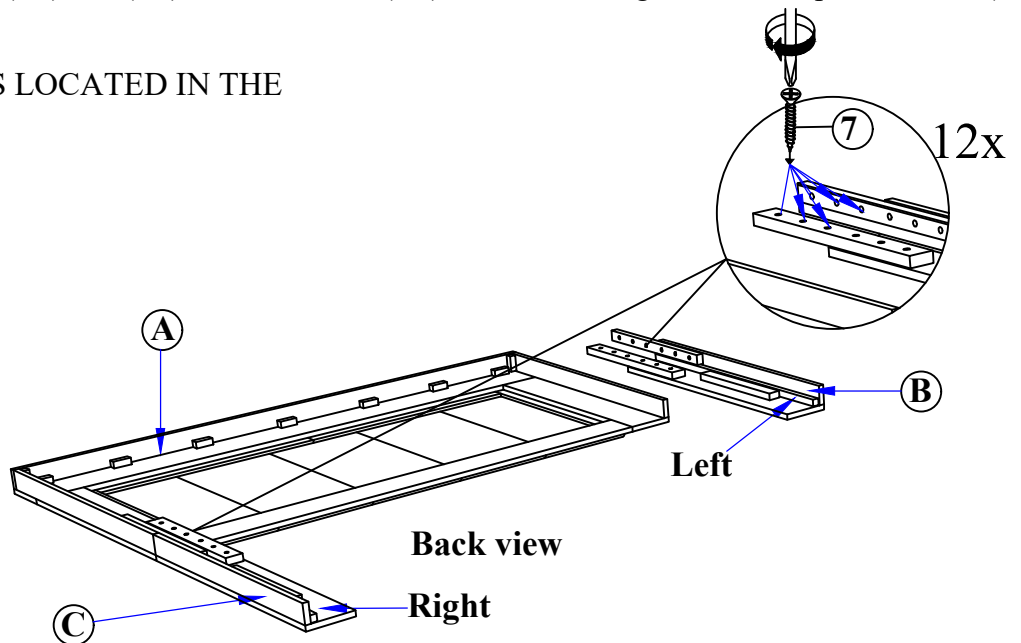
| No | Description | Diagram | Quantity |
|----|-----------------------------|---|----------|
| H | Storage Side Rail |  | 2 pcs |
| I | Chrome Metal Leg |  | 4 pcs |
| J | Side Rail Bottom Back Leg |  | 4 pcs |
| K | Side Rail Bottom Center Leg |  | 4 pcs |



COMPLETE ASSEMBLY

STEP 1 : Attach Head Board leg (B) and (C) to Head Board (A) as shown. using flat head chipboard screw (6) and Tighten as shown.

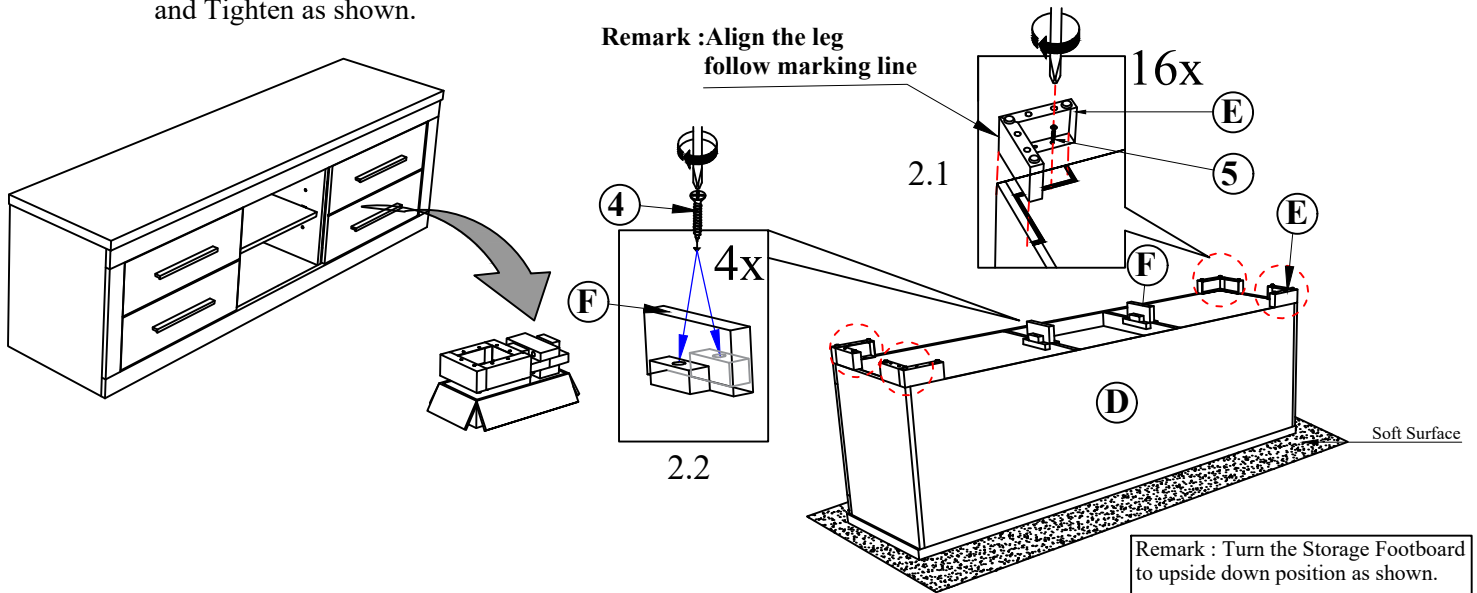
THE HARDWARE IS LOCATED IN THE PACKING ITEM.



STEP 2.1 : Pull the drawer and take out the Leg (E) & (F). Attach the Chrome metal leg (E) at the bottom Storage footboard (D). Used Pan head chipboard screw (5) and Tighten as shown.

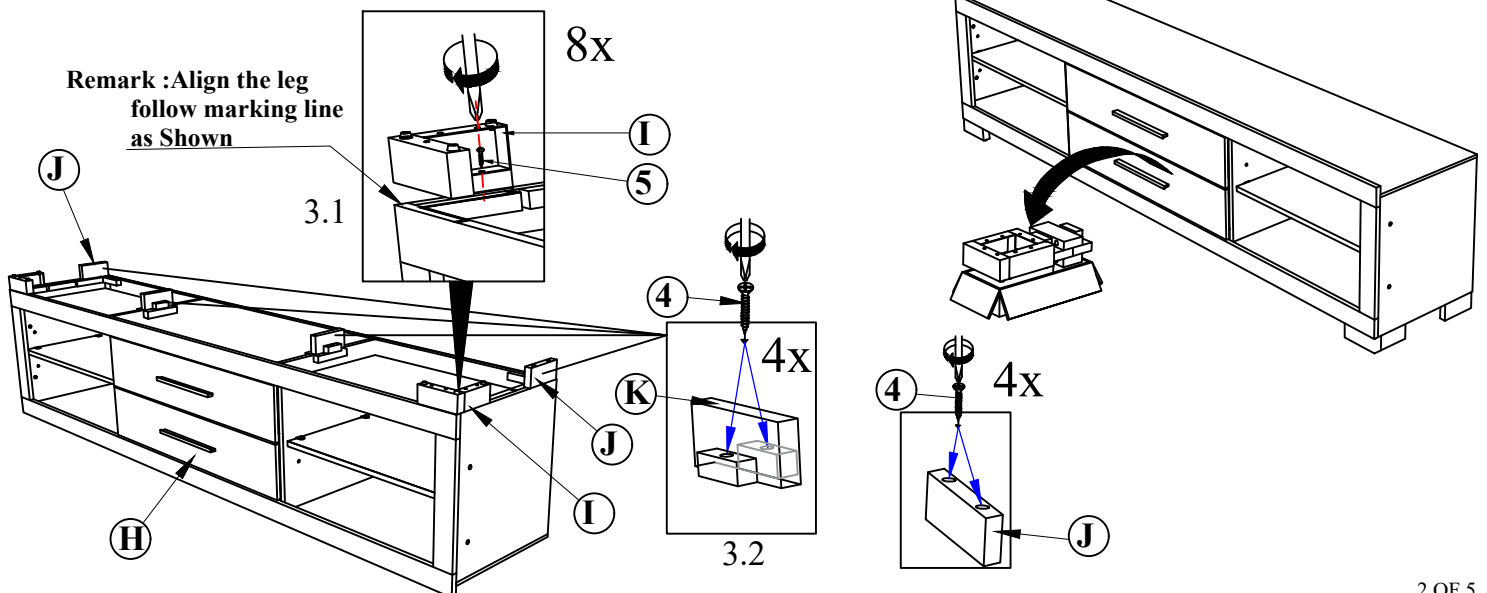
STEP 2.2 : Attach the Footboard bottom leg (F) at the bottom Storage footboard (D). Used flat head chipboard screw (4) and Tighten as shown.

Remark : Align the leg follow marking line

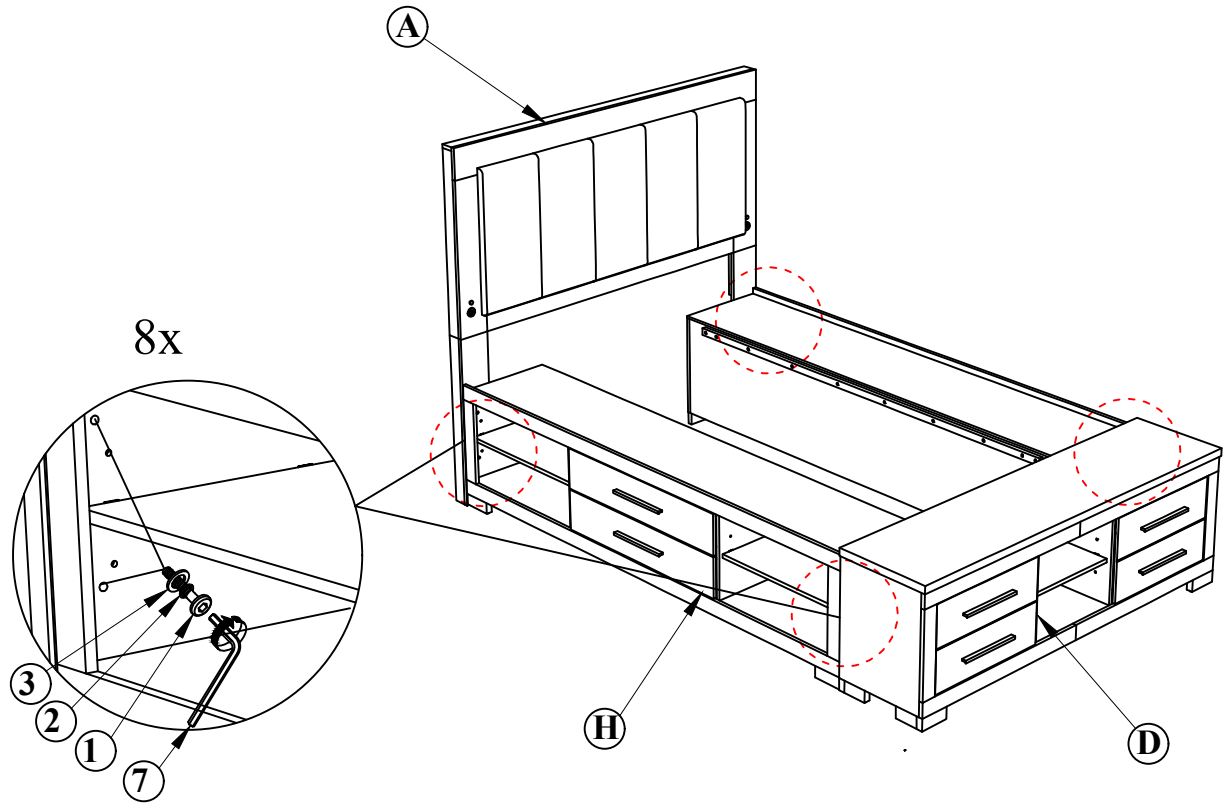


STEP 3.1 : Pull the drawer and take out the Leg (I), (J) & (K). Attach the Chrome metal leg (I) at the bottom Storage side rails (H). Used Pan head chipboard screw (5) and Tighten as shown.

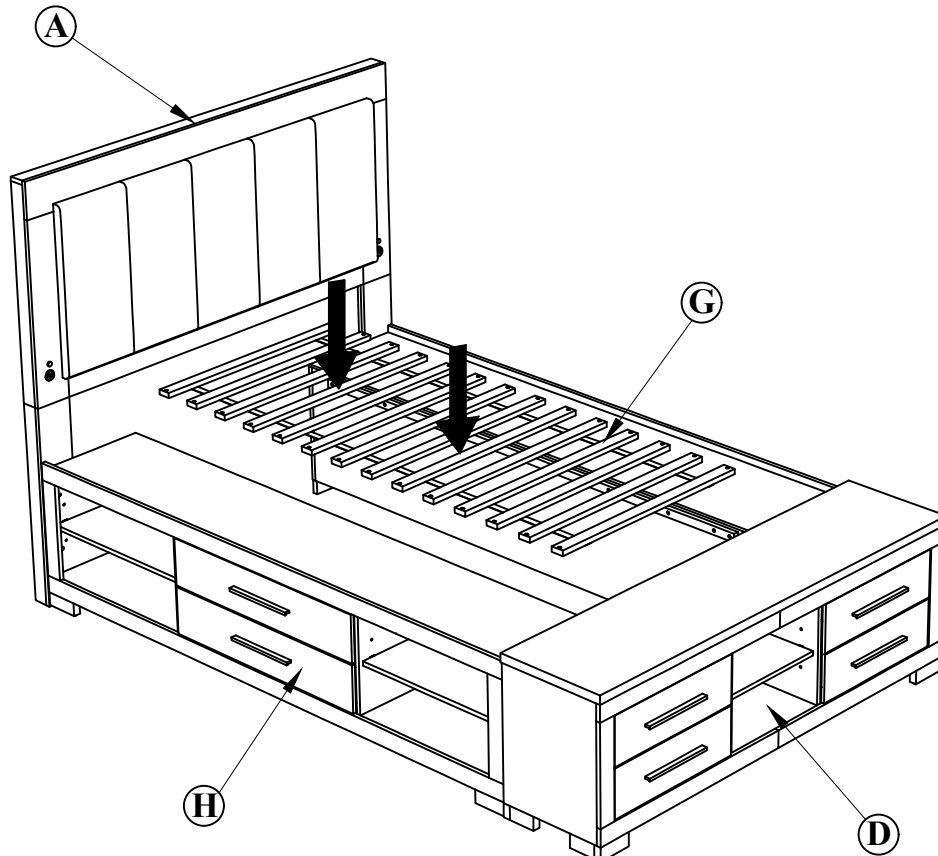
STEP 3.2 : Attach the side rails bottom leg (J) & (K) at the bottom Storage Side Rail (H). Used Flat head chipboard screw (4) and Tighten as shown.



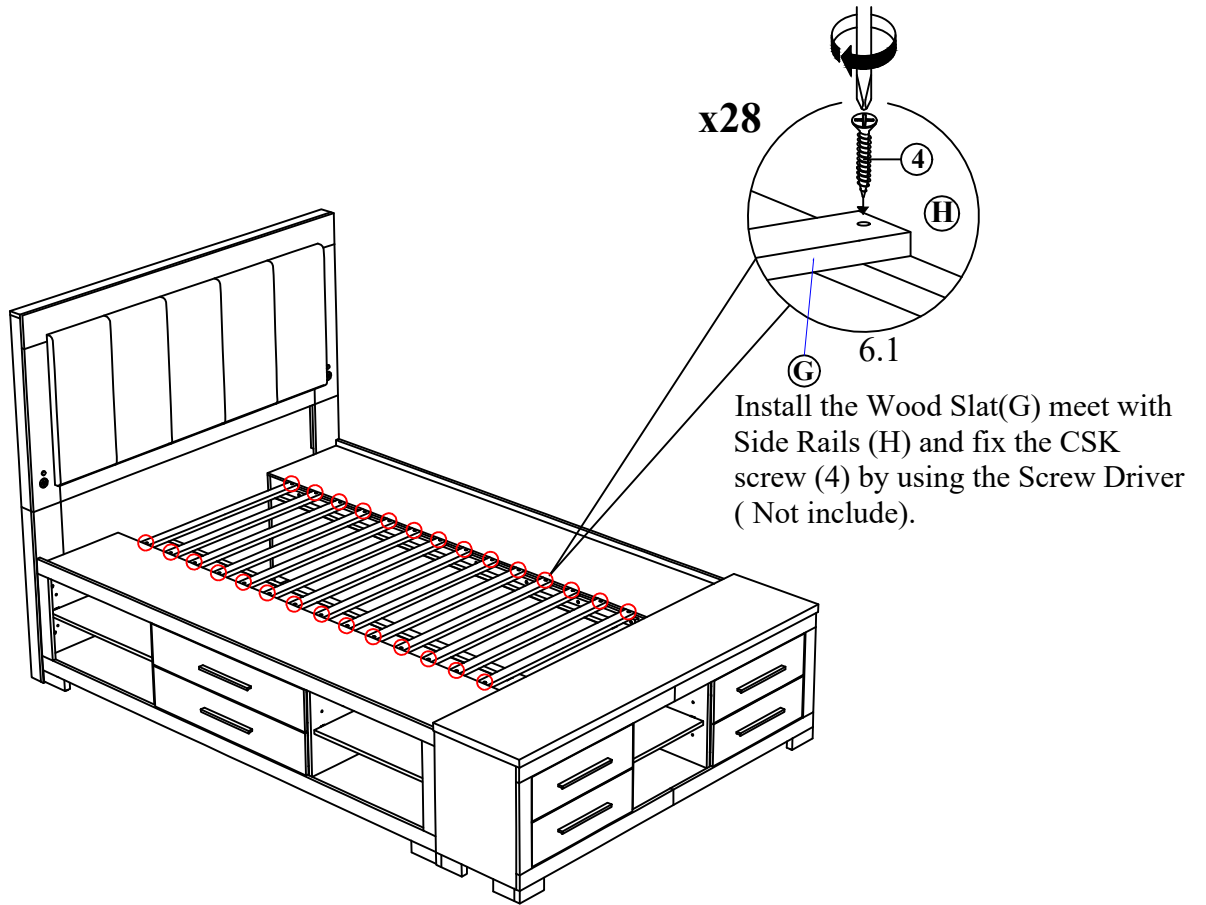
STEP 4 : Attach Storage Side Rails (H) to Headboard assembly(A) and Storage Footboard (D) as shown. using JCBC BOLT (1) with Spring Washer (2), Flat washer (3) and securing with ALLEN KEY (7) as shown.



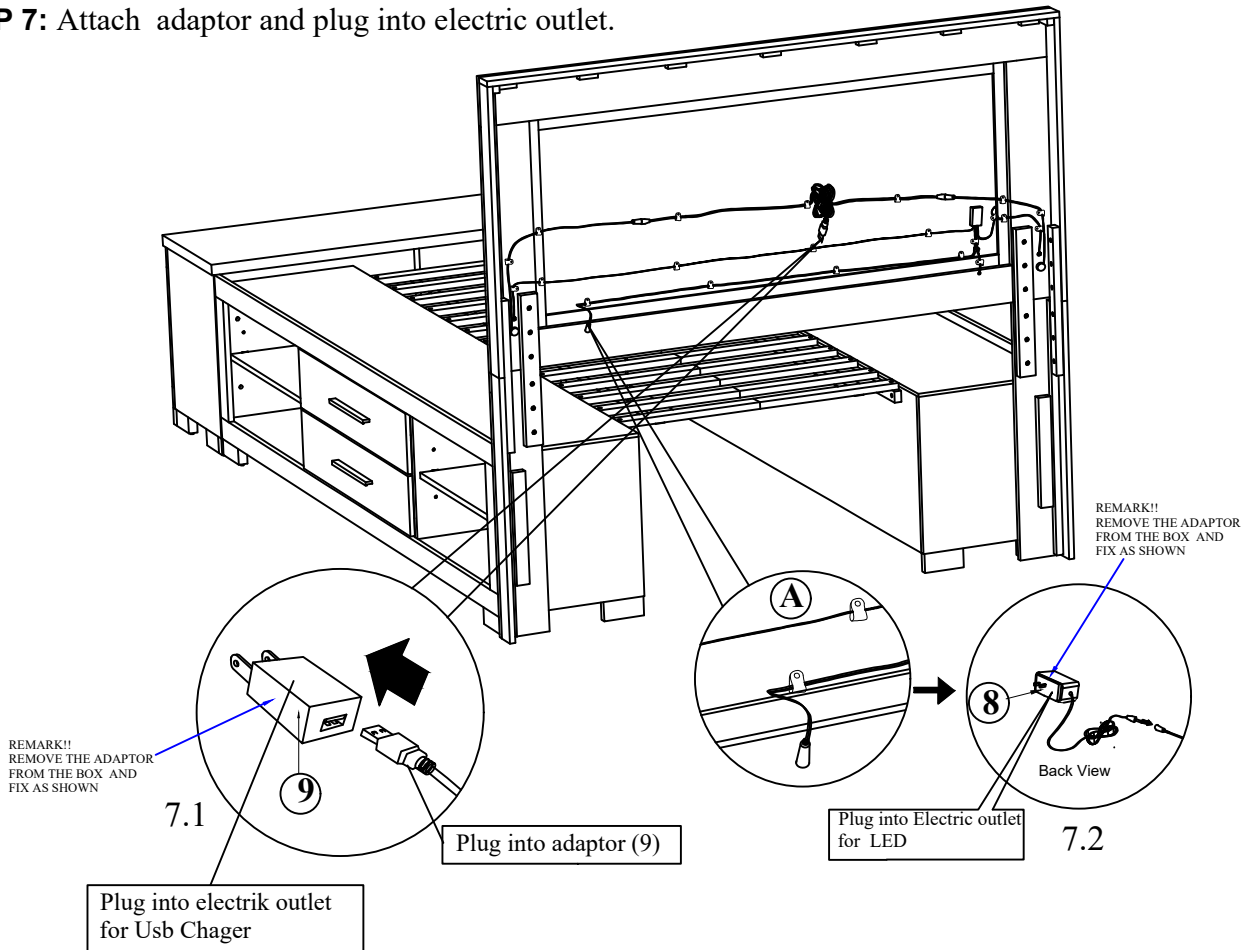
STEP 5 : Attach and align the Bed slat (G) on into a bed frame as shown.



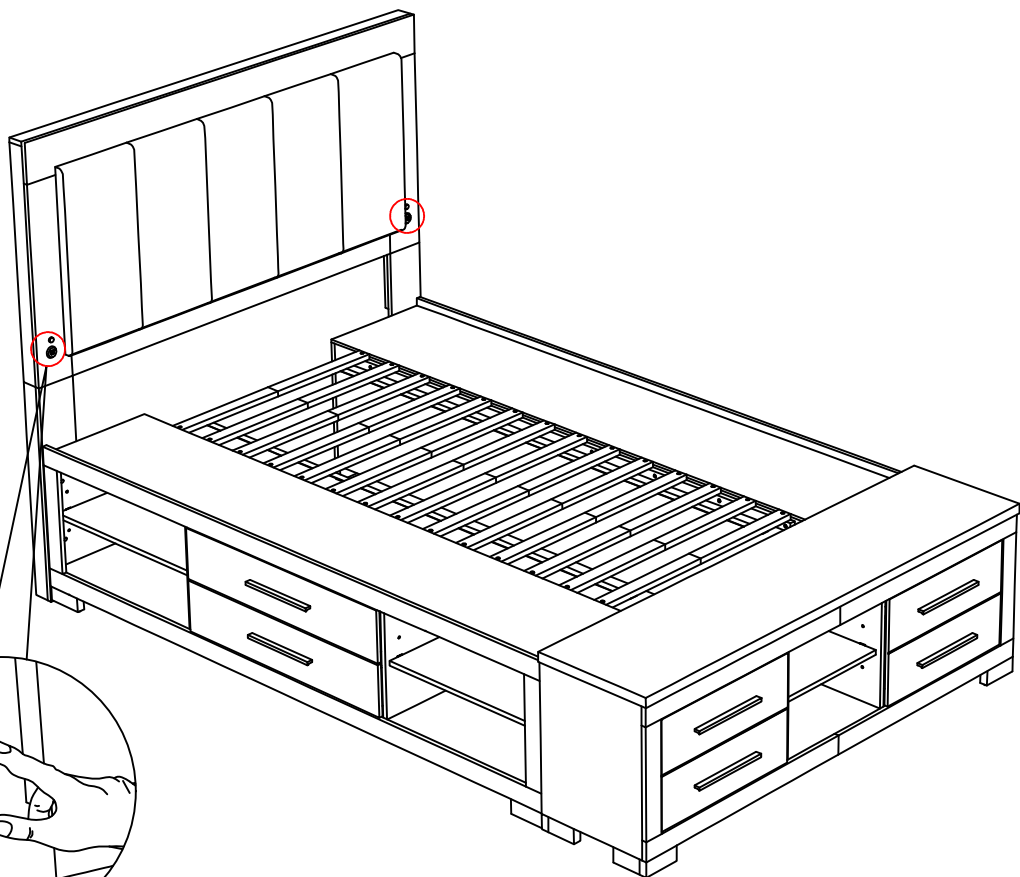
STEP 6 : Install Bed slat (G) with CSK screw (4) with screw driver (not include) as shown.



STEP 7: Attach adaptor and plug into electric outlet.



NOTE : MUST TIGHTEN SCREWS PERIODCALLY WITH USE SCREW WILL BECOME LOOSE CHECK TIGHTNESS OF ALL SCREW EVERY 6-8 WEEKS.



ON & OFF TOUCH
SWITCH BUTTON

USB Outlet

COMPLETED ASSEMBLY