
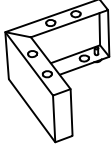



ASSEMBLY INSTRUCTIONS

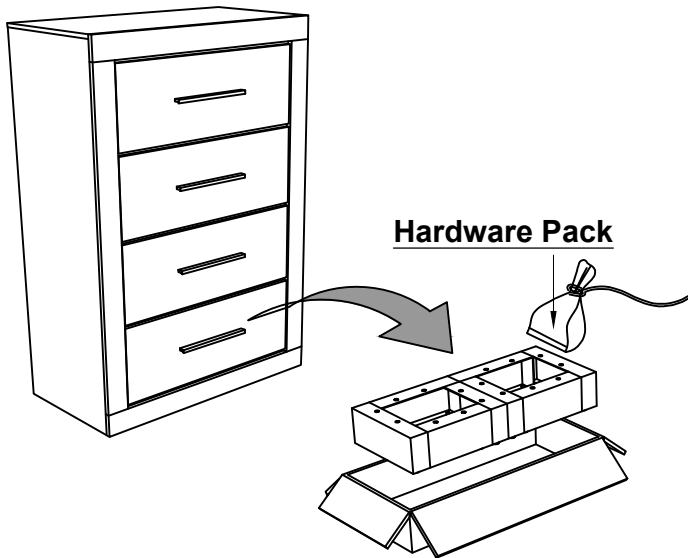
Model : Emma-Black/Grey-CH
Emma-Natural/White-CH

Description : Chest

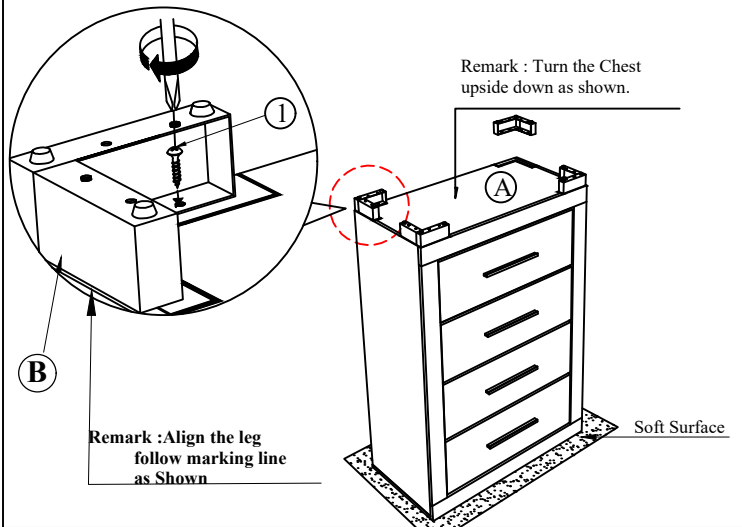
Thank you for purchasing this quality product. Be sure to check all packing materials carefully for small parts, that may have come loose inside the carton during shipment

PART LIST : CHEST				HARDWARE LIST				
No	Description	Diagram	Quantity	PACKED IN INNER CARTON LEG				
A	Chest		1 pc	No	Description	Diagram	Size	Quantity
B	Leg		4 pcs	1	Pan Head Screw		M3.5 x 16mm	16 pcs

STEP 1 : Locate the Legs (B) from the bottom drawer of the Chest (A).



STEP 2 : Place the Chest (A) upside down on a flat and clean surface. Assemble the Leg (B) by using using a screwdriver with Pan head chipboard screw (1) as shown.



COMPLETE VANITY ASSEMBLY

1 OF 1

NOTE : MUST TIGHTEN SCREWS PERIODCALLY WITH USE SCREW WILL BECOME LOOSE CHECK TIGHTNESS OF ALL SCREW EVERY 6-8 WEEKS.


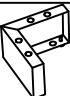
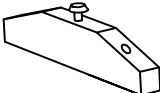
ASSEMBLY INSTRUCTIONS

**Model : Emma-Black/Grey-DR
Emma-Natural/White-DR**



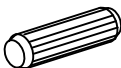
Description : Dresser

Thank you for purchasing this quality product. Be sure to check all packing materials carefully for small parts, that may have come loose inside the carton during shipment

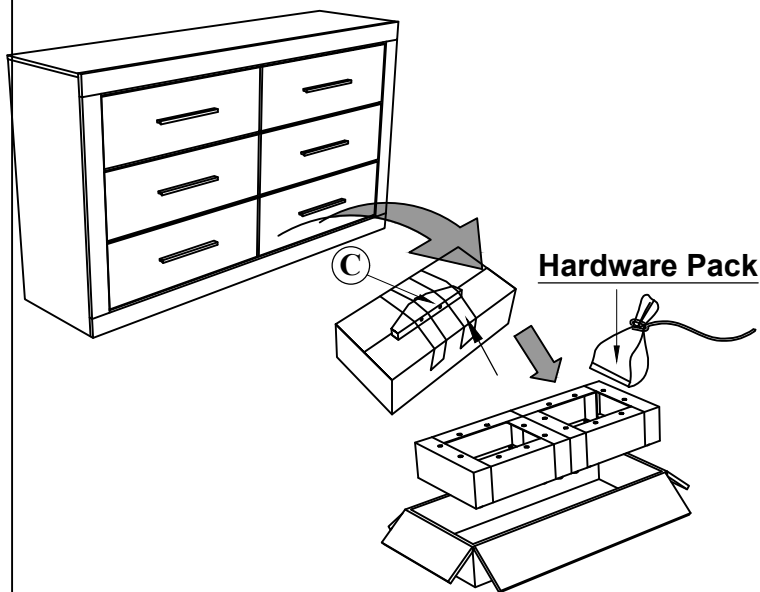
PART LIST : DRESSER

No	Description	Diagram	Quantity
A	Dresser		1 pc
B	Leg		4 pcs
C	Center Leg		1 pc

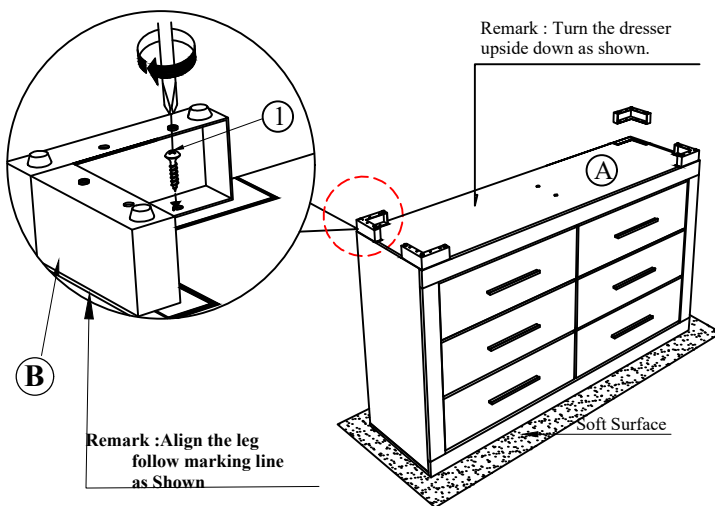
HARDWARE LIST

PACKED IN INNER CARTON LEG				
No	Description	Diagram	Size	Quantity
1	Pan Head Screw		M3.5 x 16mm	16 pcs
2	Flat Head Chipboard Screw		M4 x 32mm	2 pcs
3	Wood Dowel		6mmx30mm	2 pcs

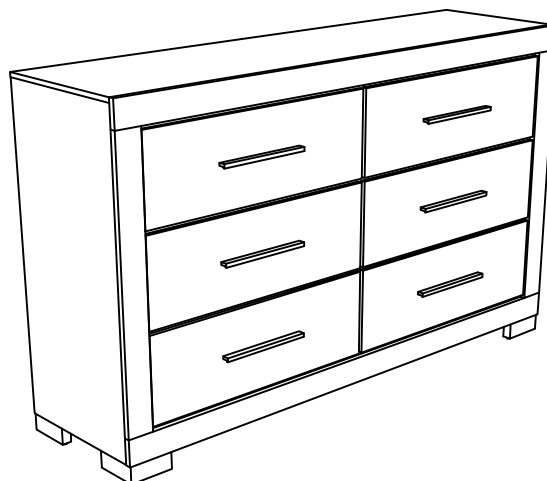
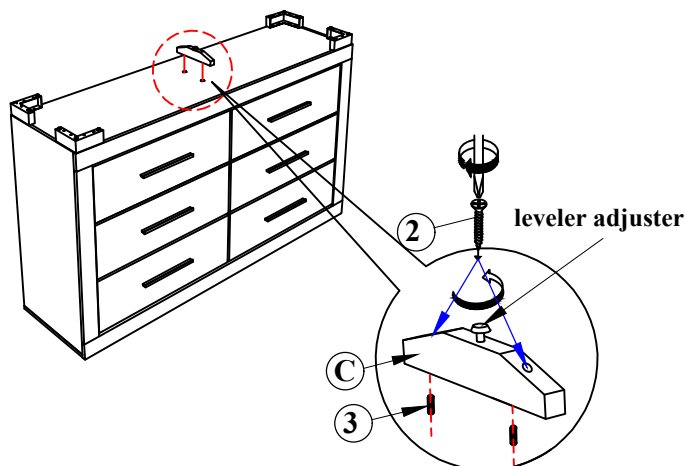
STEP 1 : Locate the Legs (B) from the bottom drawer of the Dresser (A).



STEP 2 : Place the Dresser (A) upside down on a flat and clean surface. Assemble the Leg (B) by using using a screwdriver with Pan head chipboard screw (1) as shown.



STEP 3 : Insert wood dowel (3) into the Dresser bottom panel (A) as shown. Attach the Center Leg (C) and using the screwdriver with flat head chipboard screw (2) as shown.



COMPLETE VANITY ASSEMBLY

1 OF 1

NOTE : MUST TIGHTEN SCREWS PERIODCALLY WITH USE SCREW WILL BECOME LOOSE CHECK TIGHTNESS OF ALL SCREW EVERY 6-8 WEEKS.

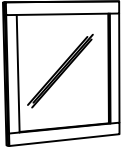
ASSEMBLY INSTRUCTIONS

Model : Emma-Black/Grey-MR
Emma-Natural/White-MR

Description : Mirror

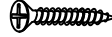
Thank you for purchasing this quality product. Be sure to check all packing materials carefully for small parts, that may have come loose inside the carton during shipment

PART LIST : MIRROR



No	Description	Diagram	Quantity
A	Mirror		1 pc

HARDWARE LIST

PACKED IN MIRROR BOX

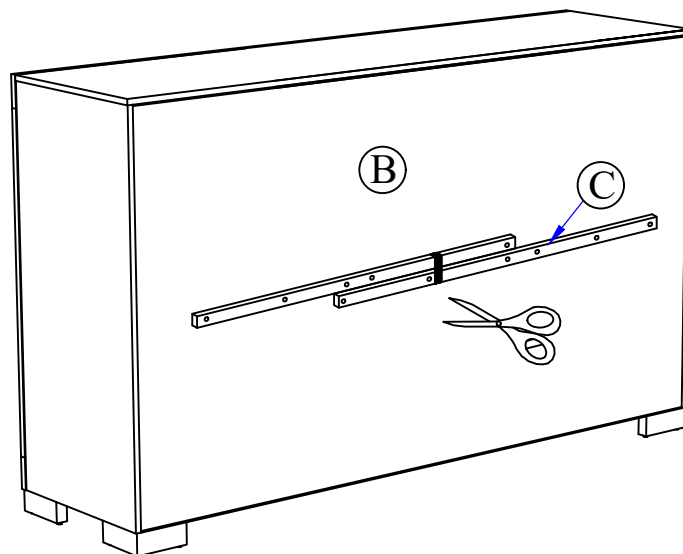
No	Description	Diagram	Size	Quantity
1	Csk Screw		M4 x 32mm	10 pcs

PART LIST : DRESSER

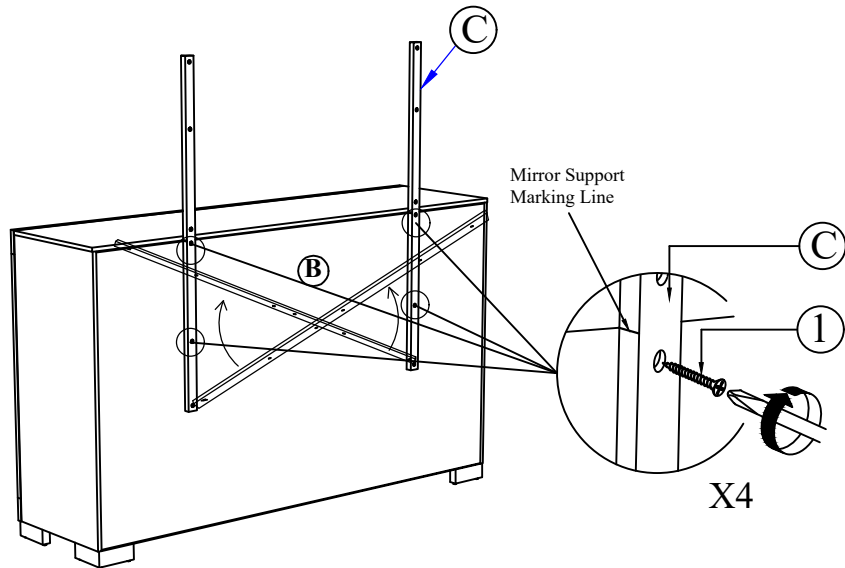
No	Description	Diagram	Quantity
B	Dresser		1 pc
C	Mirror Back Support		2 pcs

STEP 1 :

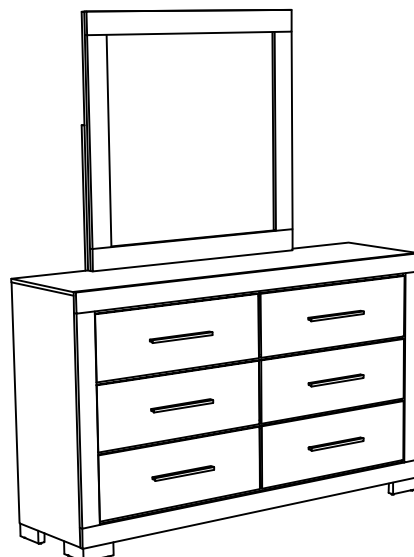
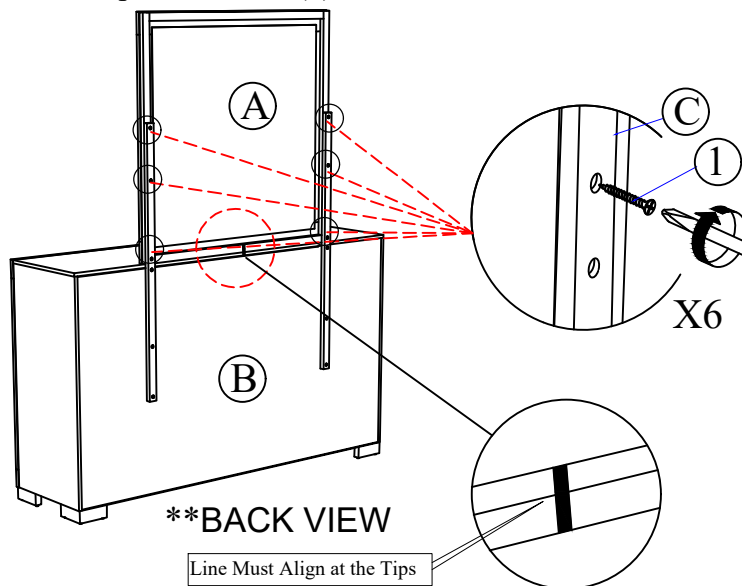
Cut the rope and rotate the Back Mirror Support (C) upward before tightening the screw.



STEP 2 : Turn the mirror support (C) vertical at the back of the dresser (B) and align it against the marking on the mirror support (C) to the edge of the dresser (B). Tighten the mirror support (C) to the dresser (B) by using a screwdriver with flat head chipboard screw (1) as shown.



STEP 3 : Place the mirror (A) on the dresser (B) and align the line marking on the mirror (A) to the line marking on the dresser (B). Tighten the mirror (A) to the mirror support (C) by using a screwdriver with flat head chipboard screw (1) as shown.



ASSEMBLY INSTRUCTIONS

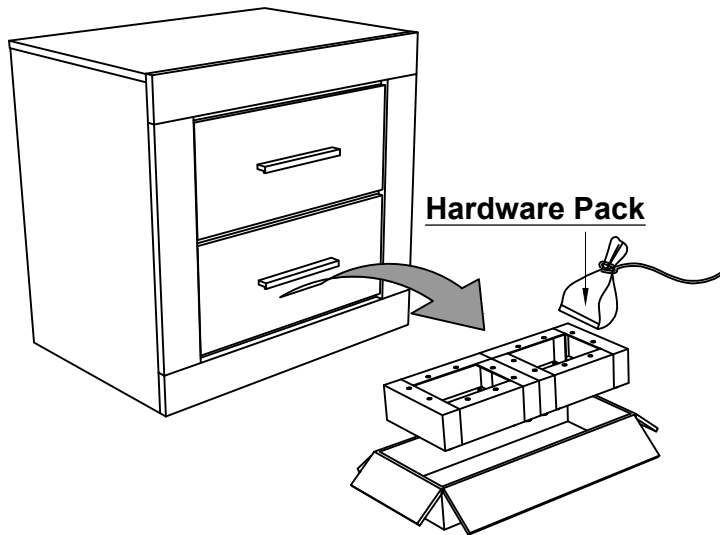
Model : Emma-Black/Grey-NS
Emma-Natural/White-NS

Description : Nightstand

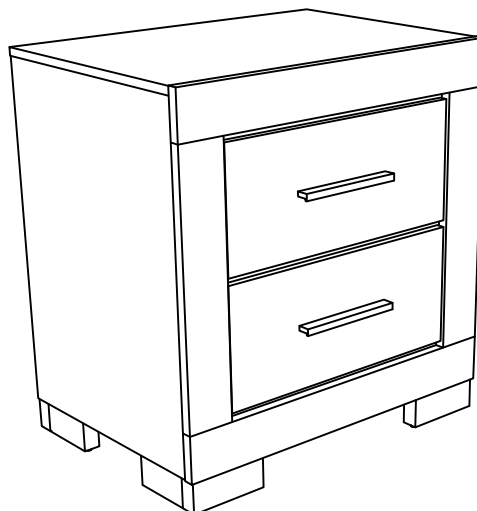
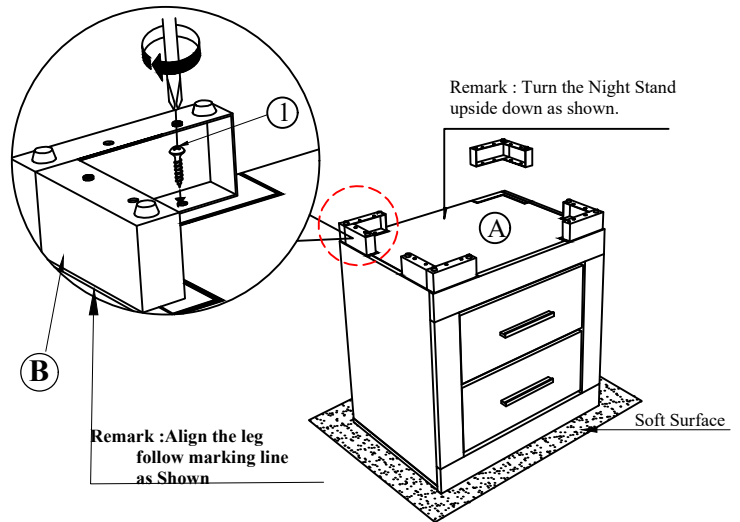
Thank you for purchasing this quality product. Be sure to check all packing materials carefully for small parts, that may have come loose inside the carton during shipment

PART LIST : NIGHT STAND				HARDWARE LIST				
No	Description	Diagram	Quantity	PACKED IN INNER CARTON LEG				
A	Night Stand		1 pc	No	Description	Diagram	Size	Quantity
B	Leg		4 pcs	1	Pan Head Screw		M3.5 x 16mm	16 pcs

STEP 1 : Locate the Legs (B) from the bottom drawer of the Nightstand (A).



STEP 2 : Place the Nightstand (A) upside down on a flat and clean surface. Assemble the Leg (B) by using using a screwdriver with Pan head chipboard screw (1) as shown.



COMPLETE VANITY ASSEMBLY

1 OF 1

NOTE : MUST TIGHTEN SCREWS PERIODCALLY WITH USE SCREW WILL BECOME LOOSE CHECK TIGHTNESS OF ALL SCREW EVERY 6-8 WEEKS.

ASSEMBLY INSTRUCTIONS

Model : Emma-Natural/White/Black/Gray-FB-HB W/LED / USB

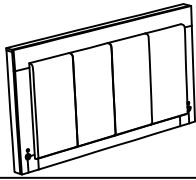

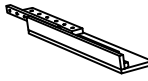
Emma-Natural/White/Black/Gray-FB-HB Base
 Emma-Natural/White/Black/Gray-FB-FB W/Drawer & Shelf
 Emma-Natural/White/Black/Gray-FB-SR DWR 1
 Emma-Natural/White/Black/Gray-FB-SR DWR 2

Description : Full Bed Headboard W/LED & USB

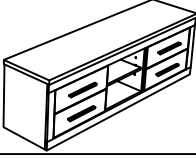
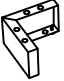
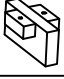

Full Bed Headboard Base
 Full Bed Footboard With 2 Drawers & 1 Shelf
 Full Bed Siderail Drawer1
 Full Bed Siderail Drawer2

Thank you for purchasing this quality product. Be sure to check all packing materials carefully for small parts, that may have come loose inside the carton during shipment

PART LIST : UPPER HEADBOARD BOX

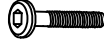



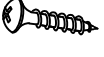

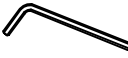


No	Description	Diagram	Quantity
A	Headboard		1 pc
B	Headboard Leg Left		1 pc
C	Headboard Leg Right		1 pc

PART LIST : STORAGE FOOTBOARD BOX

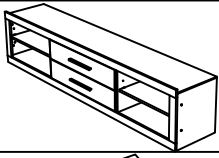
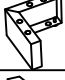


No	Description	Diagram	Quantity
D	Storage Footboard		1 pc
E	Chrome Metal Leg		4 pcs
F	Footboard Bottom Center Leg		2 pcs
G	Bed Slat		14 pcs

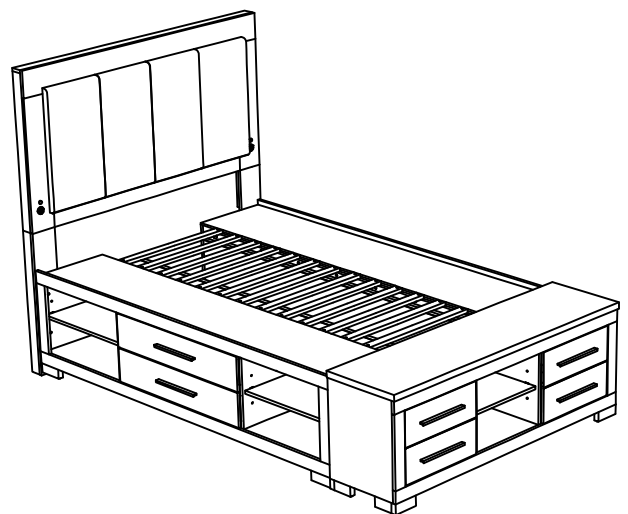
HARDWARE LIST

PACKED IN UPPER HEADBOARD BOX

No	Description	Diagram	Size	Quantity
1	JCBC Bolt		M6 x 30mm	8 pcs
2	Spring Washer		Spring Washer 1/4" Blk	8 pcs
3	Flat Washer		Flat Washer 1/4" ID 19mm OD Blk	8 pcs
4	Flat Head Chipboard Screw		CSK M4 x 32mm	48 pcs
5	Pan Head Chipboard Screw		Pan Head Screw M3.5 x 16 blk	32 pcs
6	Flat Head Chipboard Screw		CSK M4 x 25mm	12 pcs
7	Allen Key		ALLEN KEY m4x65mm Blk	1 pc
8	Adaptor Led			1 pc
9	Adaptor Usb			1 pc

PART LIST : STORAGE SIDE RAILS BOX

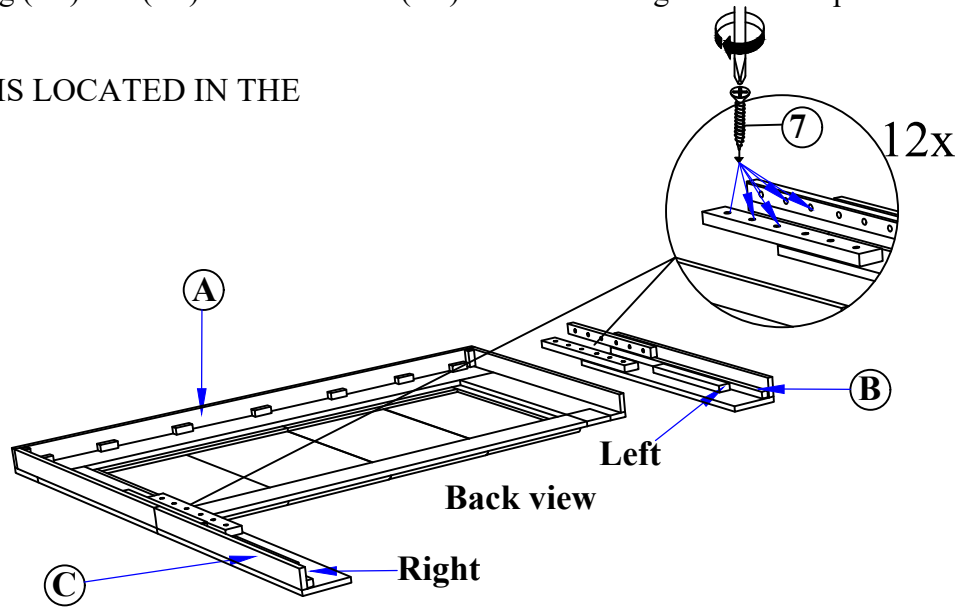
No	Description	Diagram	Quantity
H	Storage Side Rail		2 pcs
I	Chrome Metal Leg		4 pcs
J	Side Rail Bottom Back Leg		4 pcs
K	Side Rail Bottom Center Leg		4 pcs



COMPLETE ASSEMBLY

STEP 1 : Attach Head Board leg (B) and (C) to Head Board (A) as shown. using flat head chipboard screw(6) and Tighten as shown.

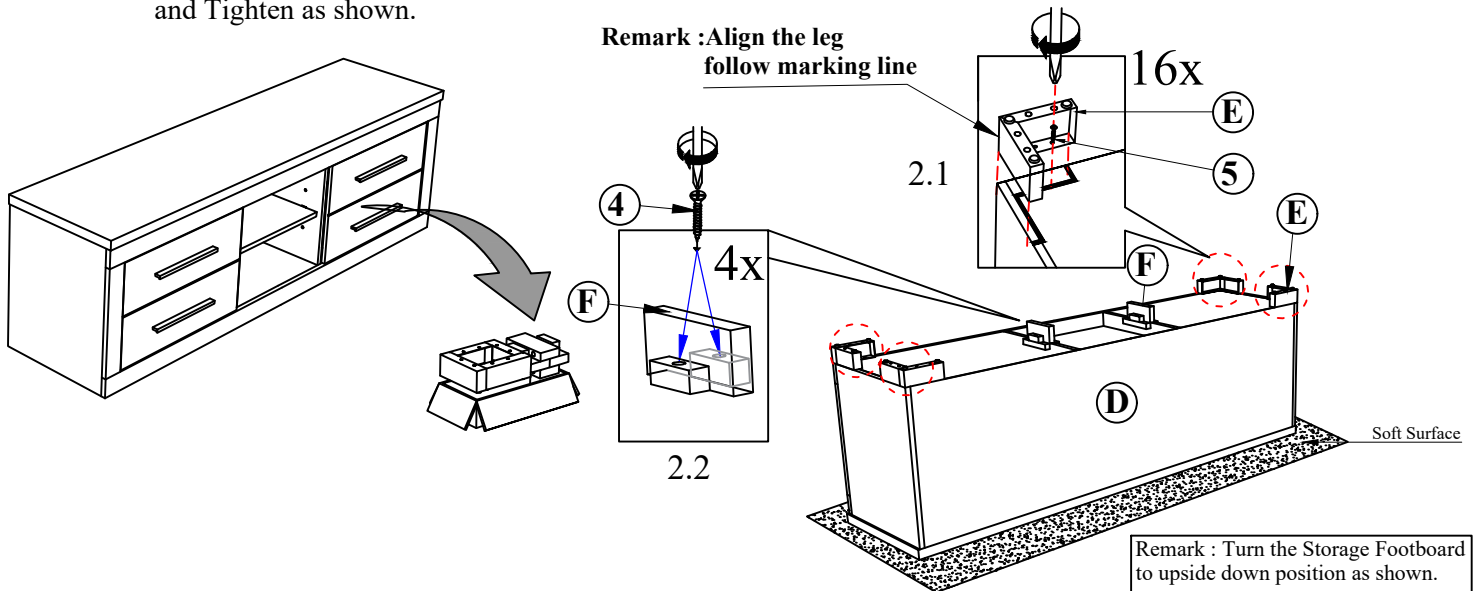
THE HARDWARE IS LOCATED IN THE PACKING ITEM.



STEP 2.1 : Pull the drawer and take out the Leg (E)&(F). Attach the Chrome metal leg (E) at the bottom Storage footboard (D). Used Pan head chipboard screw(5) and Tighten as shown.

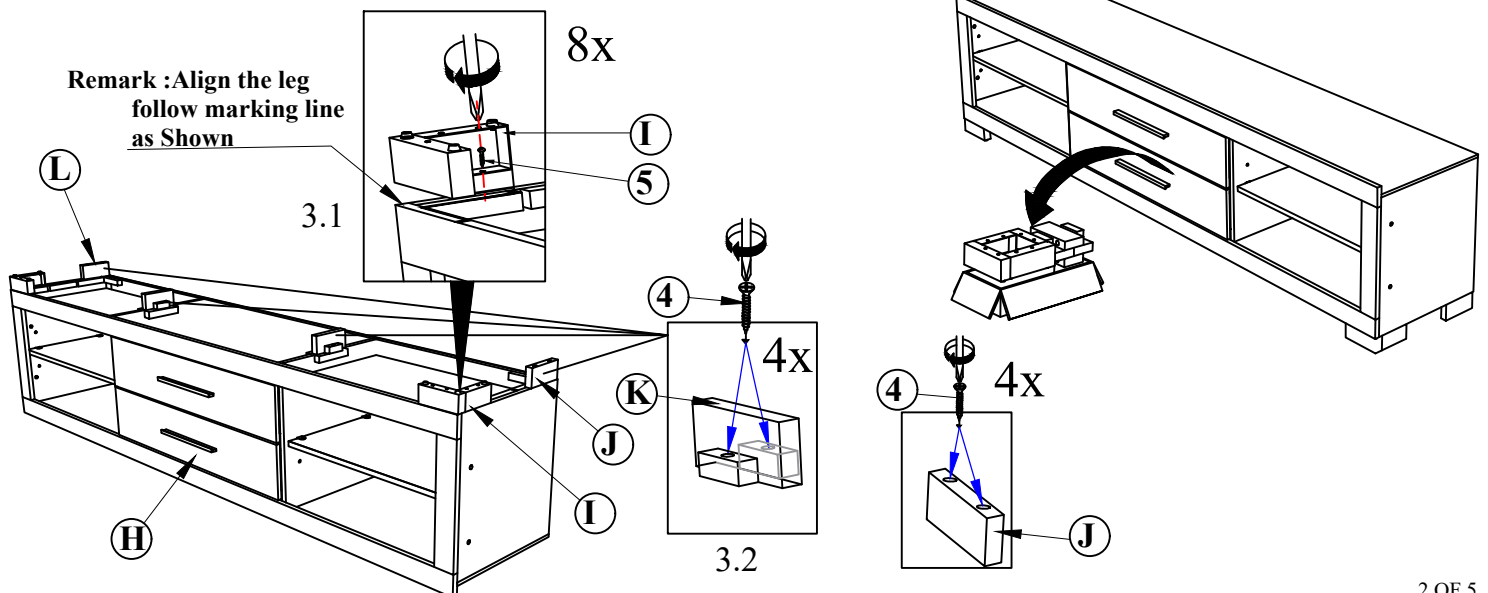
STEP 2.2 : Attach the Footboard bottom leg (F) at the bottom Storage footboard (D). Used flat head chipboard screw(4) and Tighten as shown.

Remark : Align the leg follow marking line

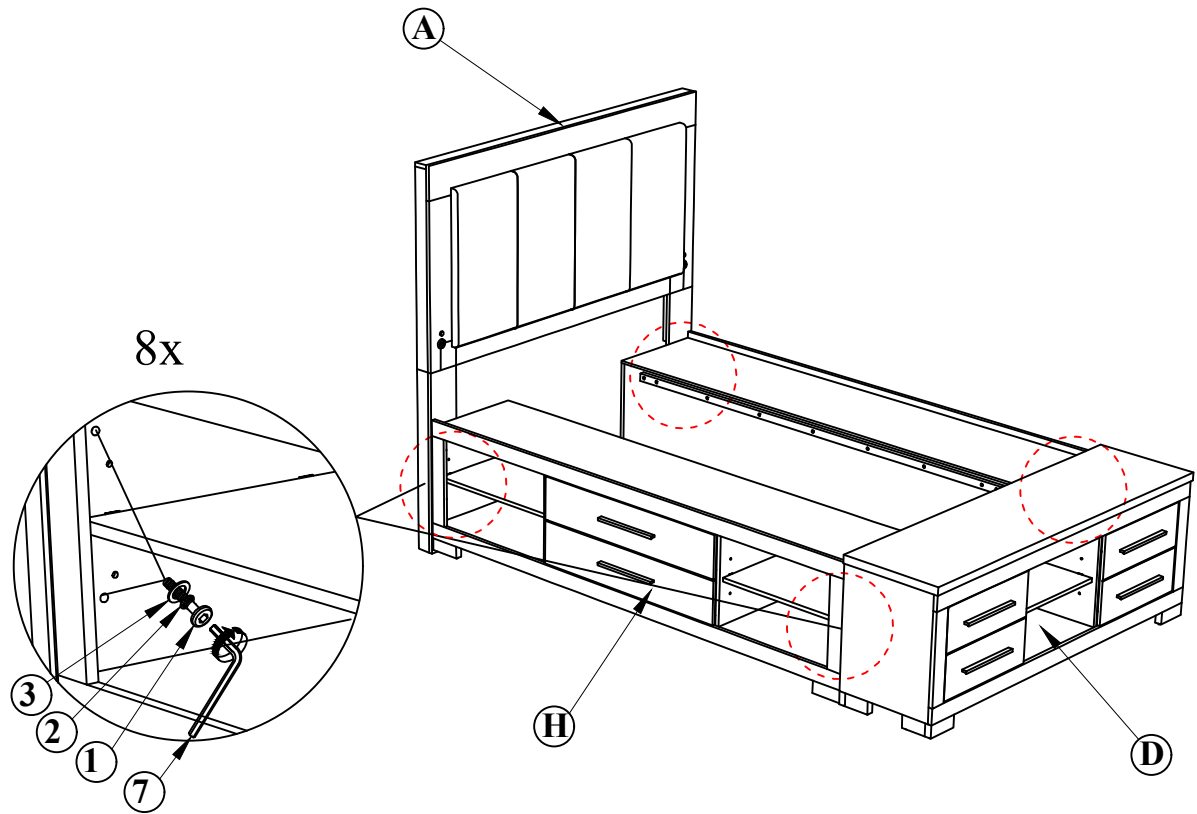


STEP 3.1 : Pull the drawer and take out the Leg (I),(J)&(K). Attach the Chrome metal leg (I) at the bottom Storage side rails (H). Used Pan head chipboard screw(5) and Tighten as shown.

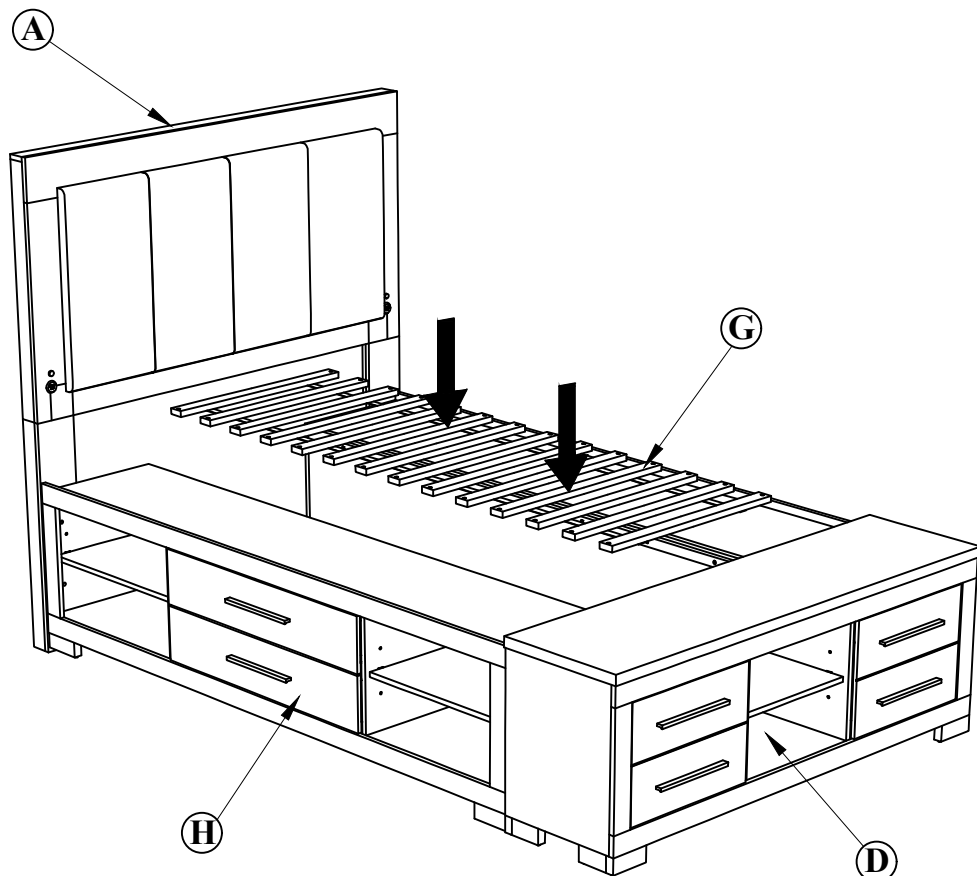
STEP 3.2 : Attach the side rails bottom leg (J) & (K) at the bottom Storage Side Rail (H). Used Flat head chipboard screw(4) and Tighten as shown.



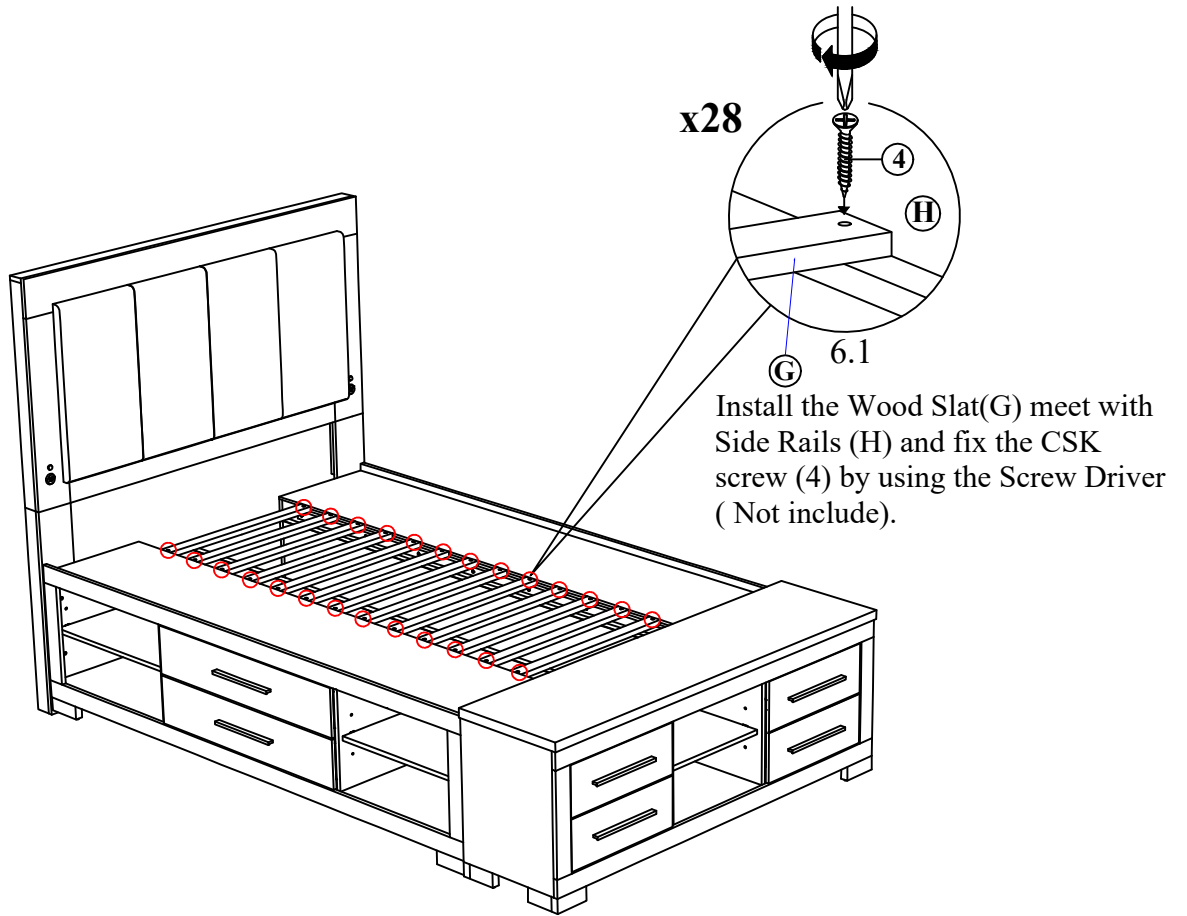
STEP 4 : Attach Storage Side Rails (H) to Headboard assembly(A) and Storage Footboard (D) as shown. using JCBC BOLT (1) with Spring Washer (2), Flat washer (3) and securing with ALLEN KEY (7) as shown.



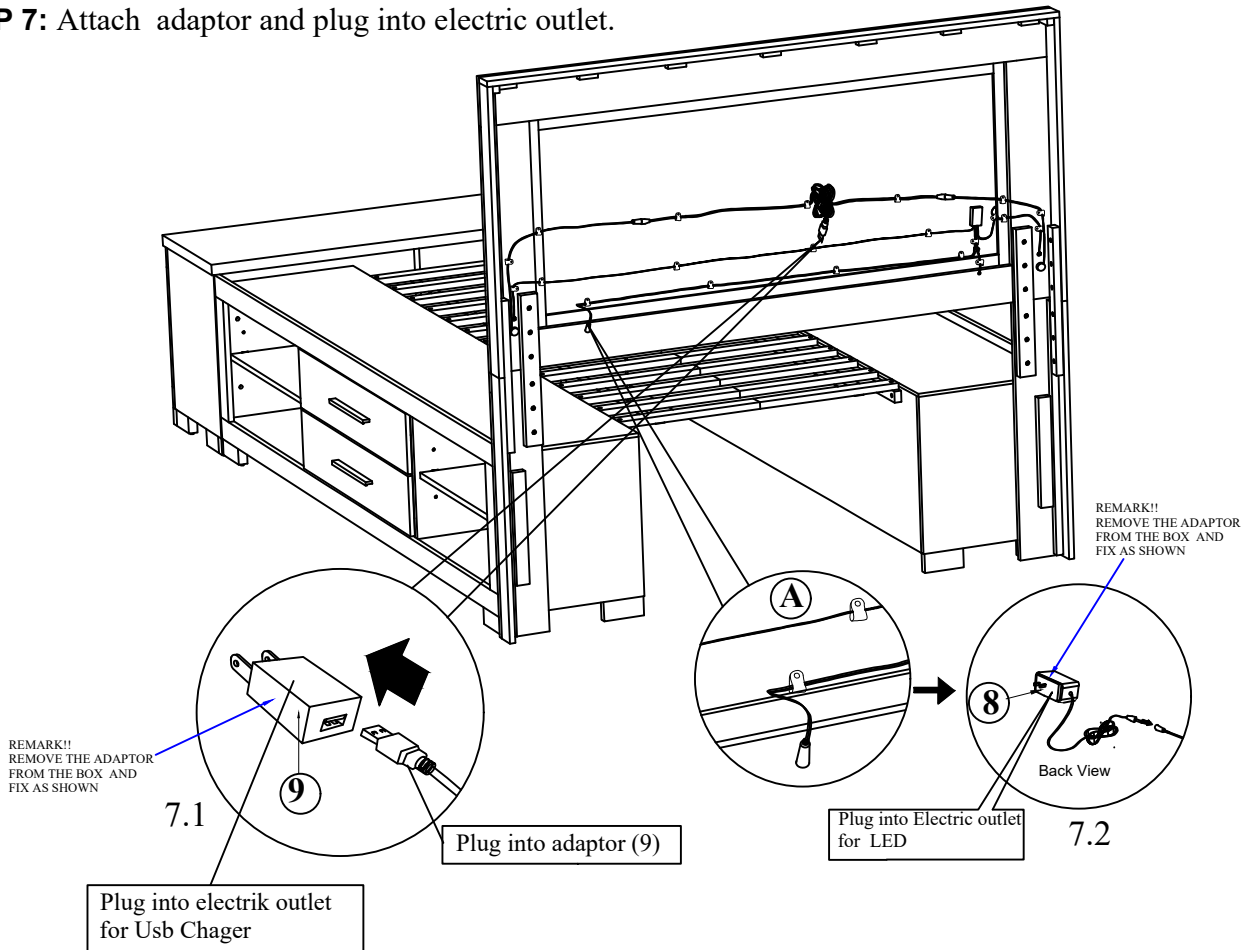
STEP 5 : Attach and align the Bed slat (G) on into a bed frame as shown.



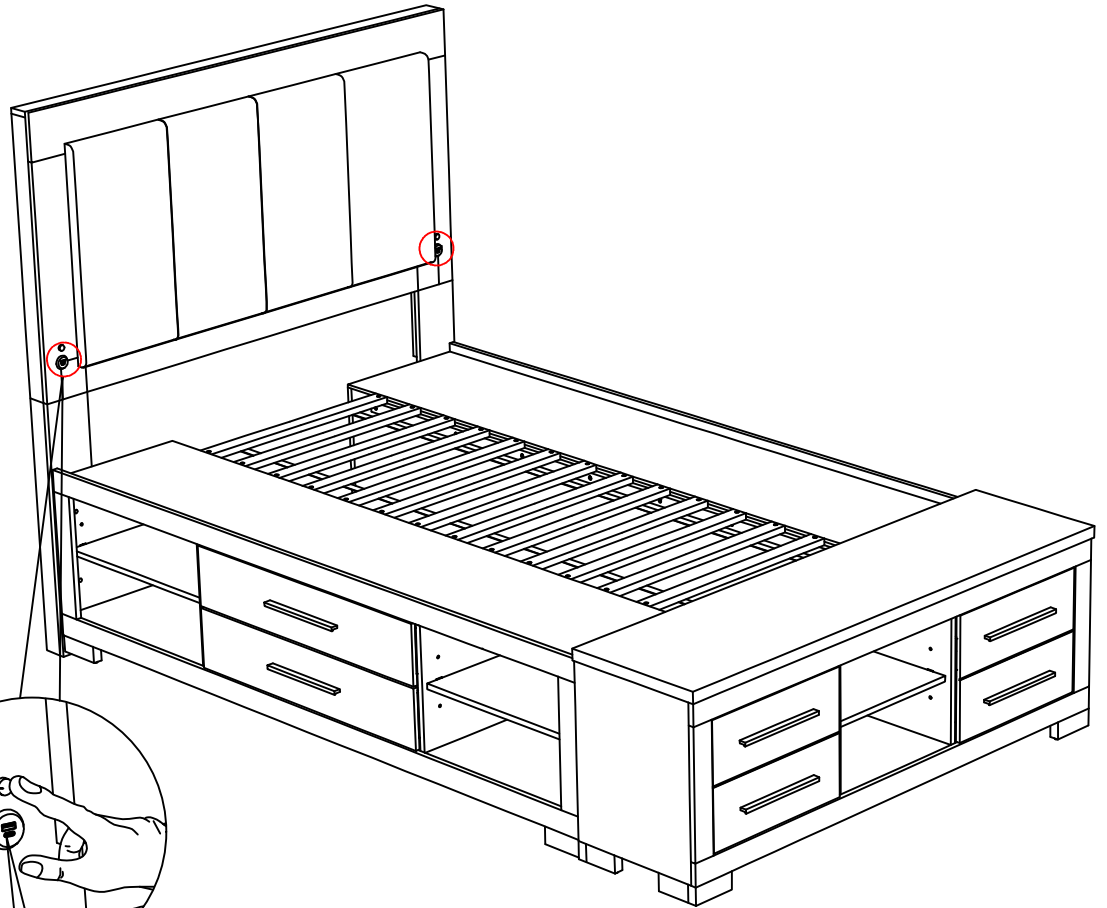
STEP 6 : Install Bed slat (G) with CSK screw (4) with screw driver (not include) as shown.



STEP 7: Attach adaptor and plug into electric outlet.



NOTE : MUST TIGHTEN SCREWS PERIODCALLY WITH USE SCREW WILL BECOME LOOSE CHECK TIGHTNESS OF ALL SCREW EVERY 6-8 WEEKS.



ON & OFF TOUCH
SWITCH BUTTON

USB Outlet

COMPLETED ASSEMBLY