

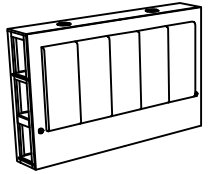
ASSEMBLY INSTRUCTIONS

Model : Madison-Natural/White/Black/Gray-KB-HB W/LED USB Bluetooth Speaker
 Madison-Natural/White/Black/Gray-KB-HB Base
 Madison-Natural/White/Black/Gray-KB-FB W/Drawer & Shelf
 Madison-Natural/White/Black/Gray-KB/KB-SR DWR 1
 Madison-Natural/White/Black/Gray-KB/KB-SR DWR 2


Description : King Bed Headboard W/LED, USB, Bluetooth Speaker
 King Bed Headboard Base
 King Bed Footboard With 2 Drawers & 1 Shelf
 Queen/King Bed Siderail Drawer1
 Queen/King Bed Siderail Drawer2

Thank you for purchasing this quality product. Be sure to check all packing materials carefully for small parts, that may have come loose inside the carton during shipment

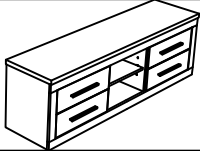
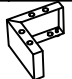
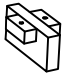


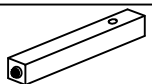
PART LIST : UPPER HEADBOARD BOX

No	Description	Diagram	Quantity
A	Upper Headboard		1 pc

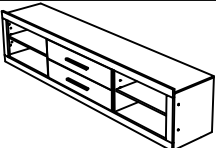
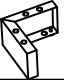
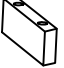
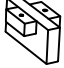
PART LIST : LOWER HEADBOARD BOX

No	Description	Diagram	Quantity
B	Lower Headboard		1 pc

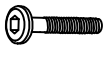






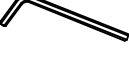
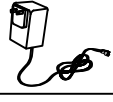


PART LIST : STORAGE FOOTBOARD BOX

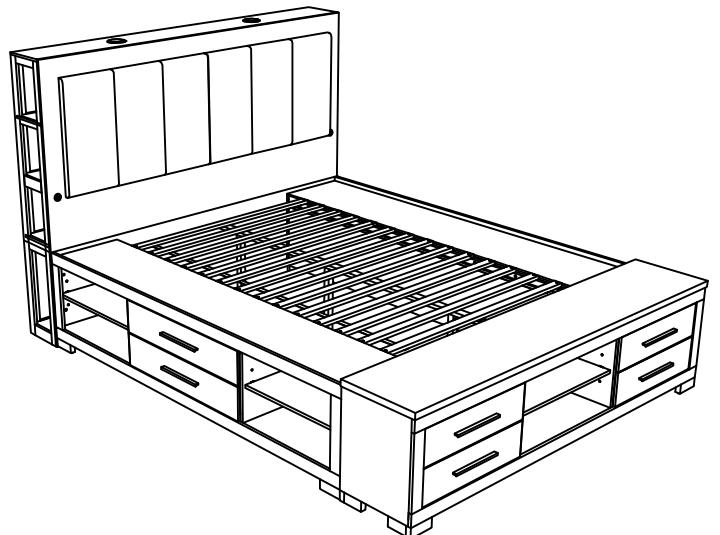
No	Description	Diagram	Quantity
C	Storage Footboard		1 pc
D	Chrome Metal Leg		4 pcs
E	Footboard Bottom Center Leg		2 pcs
F	Bed Slat		14 pcs
G	Center Slat		1 pc
H	Slat Support		3 pcs

PART LIST : STORAGE SIDE RAILS BOX

No	Description	Diagram	Quantity
I	Storage Side Rail		2 pcs
J	Chrome Metal Leg		4 pcs
K	Side Rail Bottom Back Leg		4 pcs
L	Side Rail Bottom Center Leg		4 pcs

HARDWARE LIST

PACKED IN VANITY CENTER DESK				
No	Description	Diagram	Size	Quantity
1	JCBC Bolt		M6 x 30mm	12 pcs
2	JCBC Screw		M6 x 80mm	3 pcs
3	Spring Washer		Spring Washer 1/4" Blk	12 pcs
4	Flat Washer		Flat Washer 1/4" ID 19mm OD Blk	12 pcs
5	Flat Head Chipboard Screw		CSK M4 x 32MM	48 pcs
6	Pan Head Chipboard Screw		Pan Head Screw M3.5 x 16 blk	32 pcs
7	Barrel Nut		M6 x 15mm	3 pcs
8	Allen Key		ALLEN KEY m4x65mm Blk	1 pc
9	Adaptor Speaker			1 pc
10	Adaptor Led			1 pc
11	Adaptor Usb			1 pc

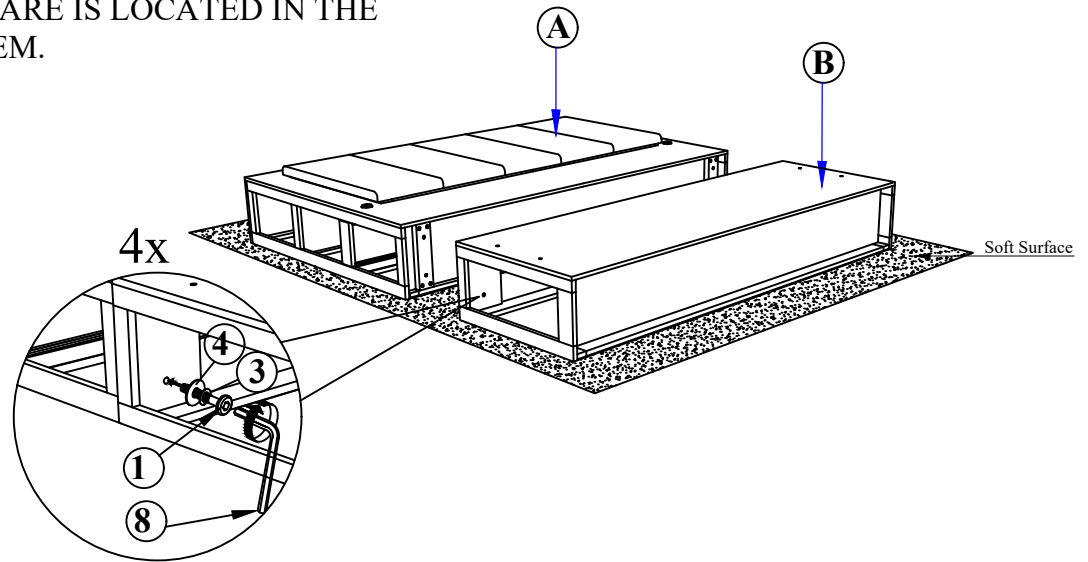


COMPLETE VANITY ASSEMBLY 1 OF 5

NOTE : MUST TIGHTEN SCREWS PERIODCALLY WITH USE SCREW WILL BECOME LOOSE CHECK TIGHTNESS OF ALL SCREW EVERY 6-8 WEEKS.

STEP 1 : Attach Lower Head Board (B) to Head Board (A) as shown. using JCBC BOLT(1)with Spring Washer (3), Flat washer (4)and securing with ALLEN KEY (8).

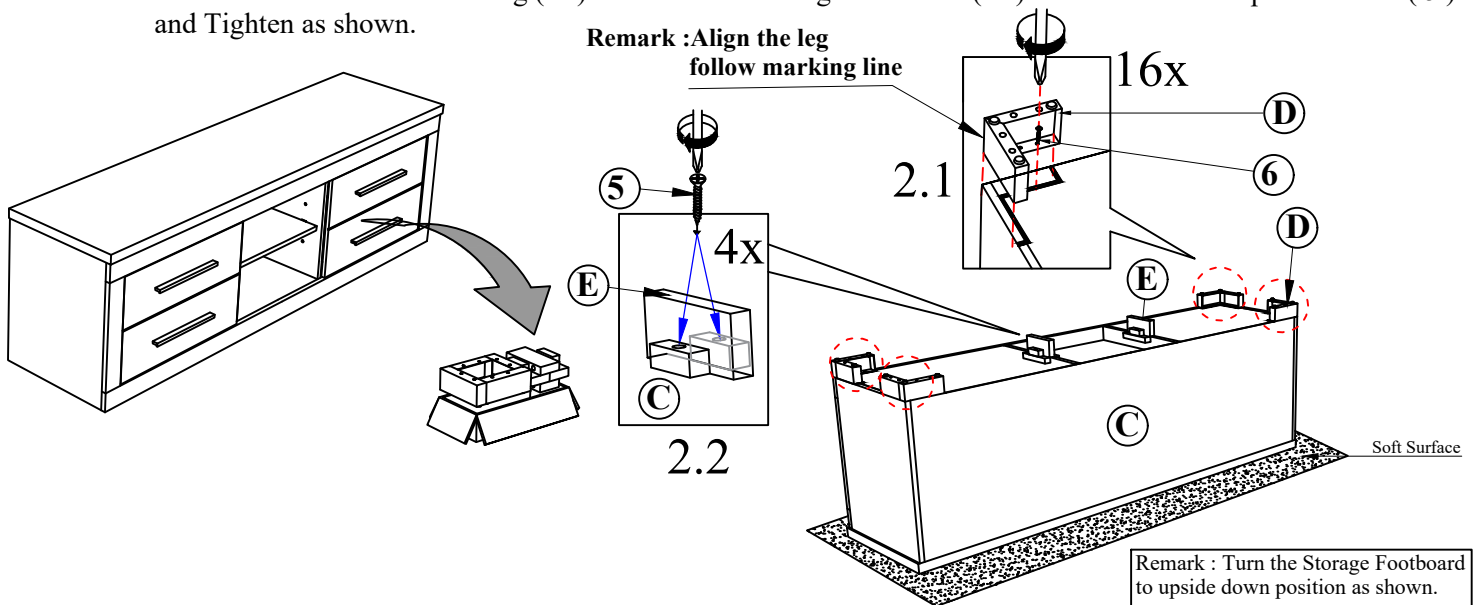
THE HARDWARE IS LOCATED IN THE PACKING ITEM.



STEP 2.1 : Pull the drawer and take out the Leg (D)&(E). Attach the Chrome metal leg (D) & (E) at the bottom Storage footboard (C). Used Pan head chipboard screw(6) and Tighten as shown.

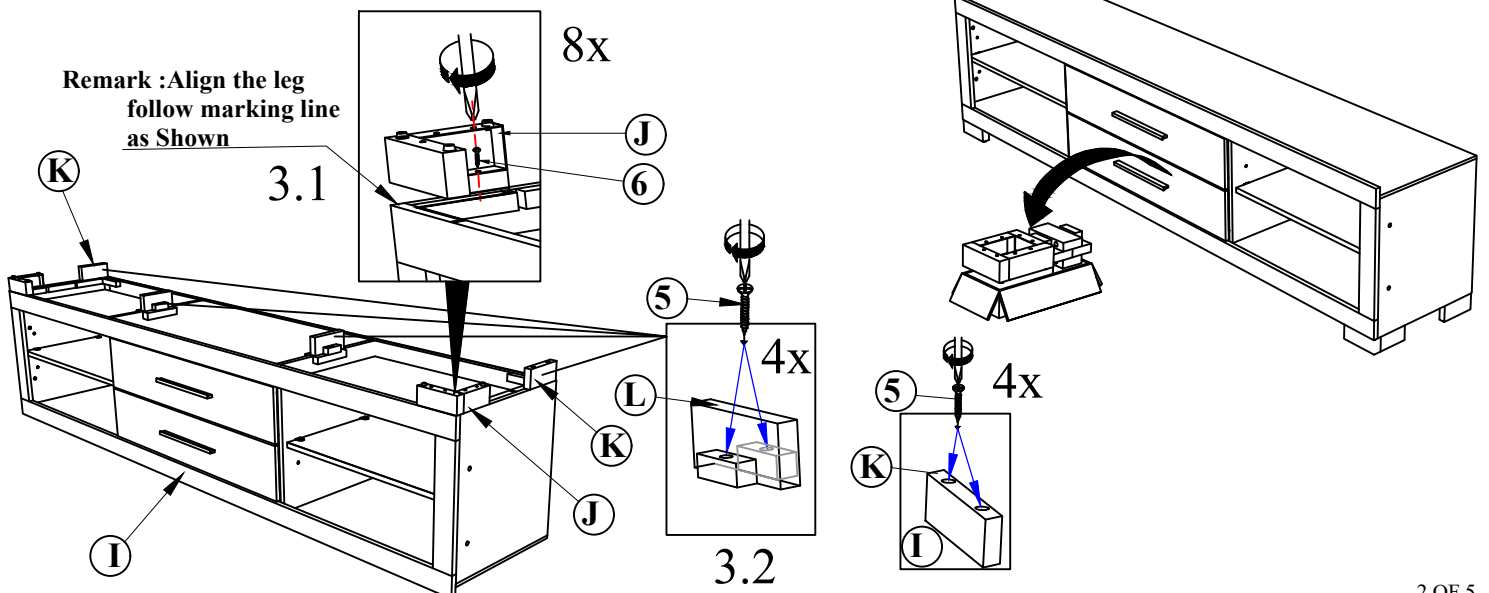
STEP 2.2 : Attach the Footboard bottom leg (E) at the bottom Storage footboard (C). Used flat head chipboard screw(5) and Tighten as shown.

Remark :Align the leg follow marking line

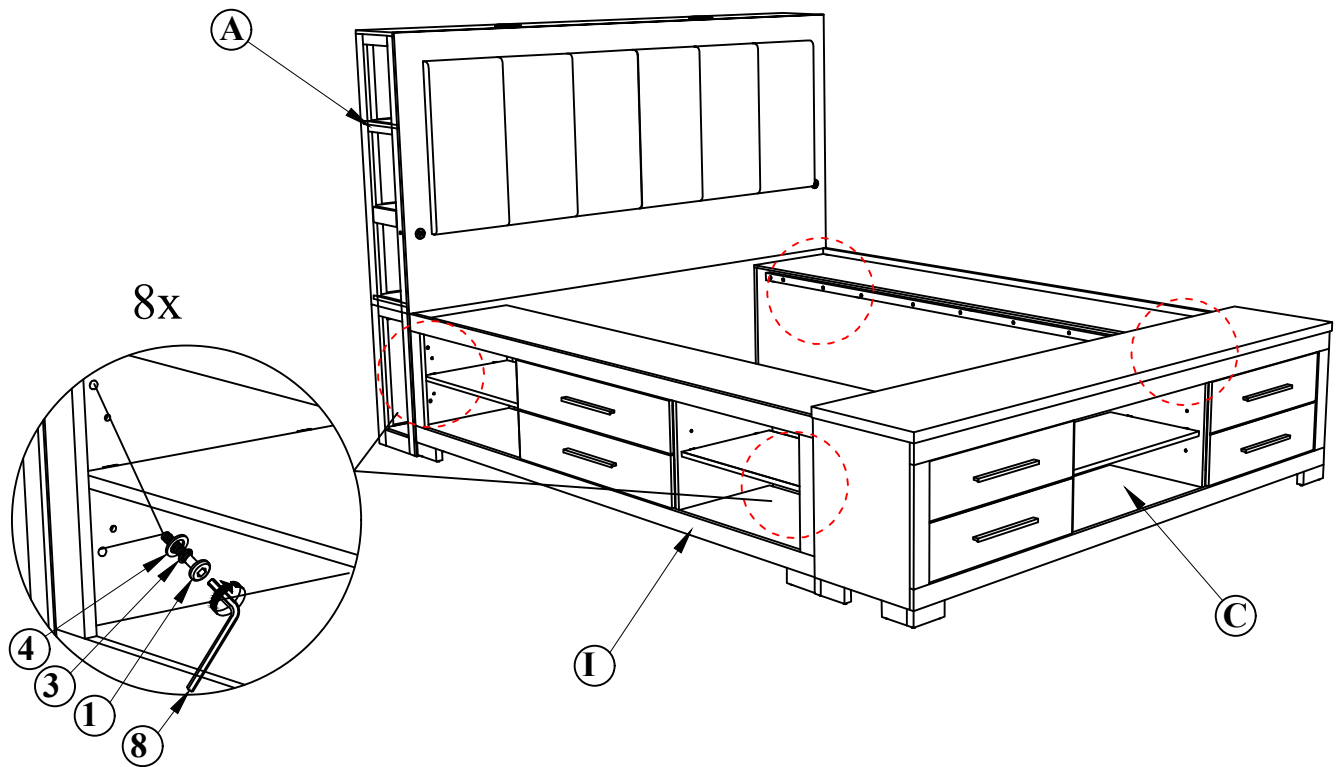


STEP 3.1 : Pull the drawer and take out the Leg (J),(K)&(L). Attach the Chrome metal leg (J) at the bottom Storage side rails (I). Used Pan head chipboard screw(6) and Tighten as shown.

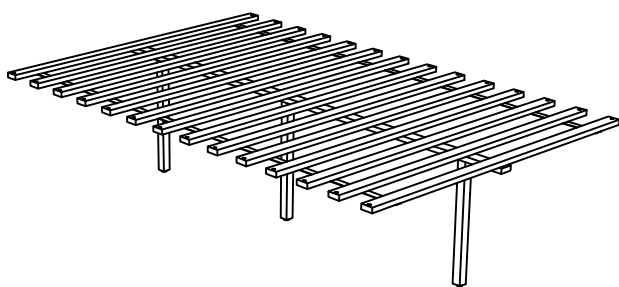
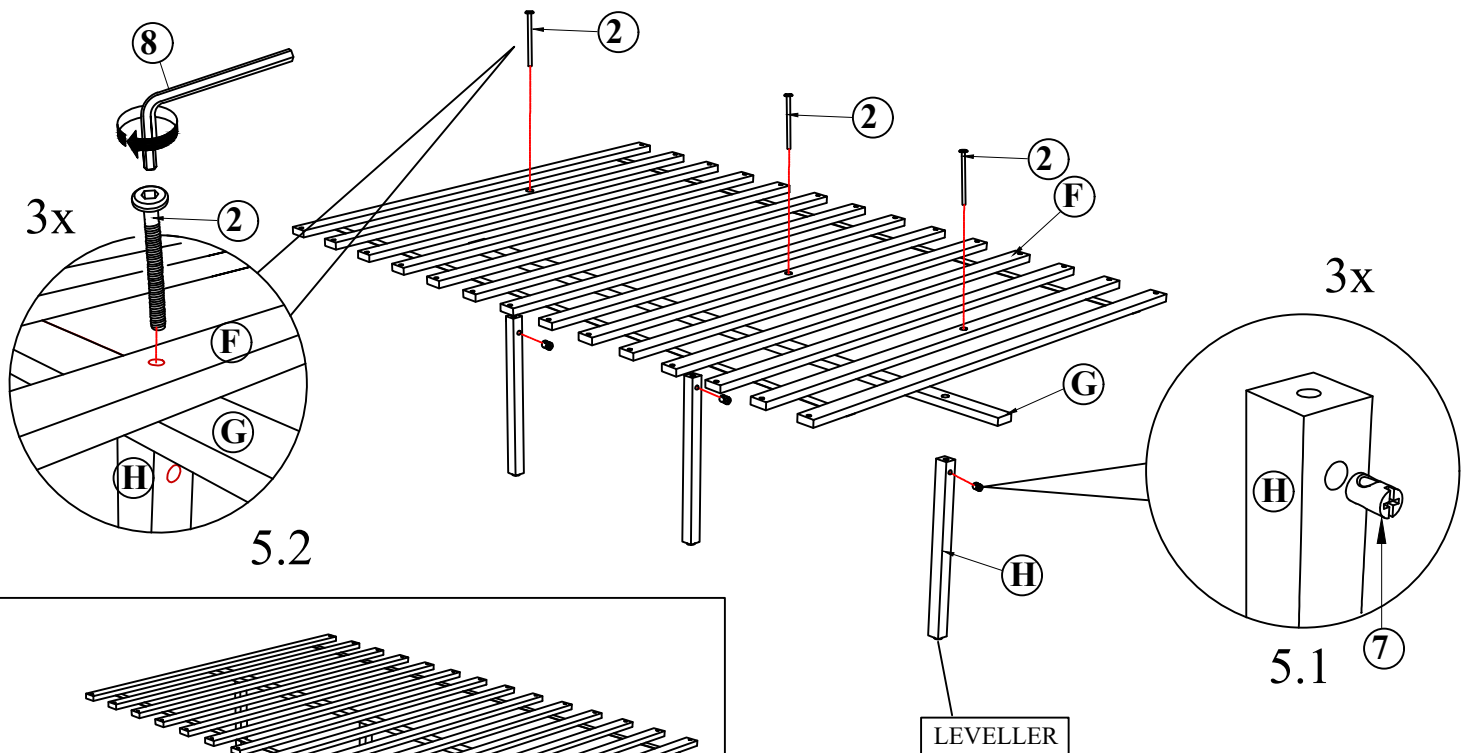
STEP 3.2 : Attach the side rails bottom leg (K) & (L) at the bottom Storage Side Rail (I). Used Flat head chipboard screw(5) and Tighten as shown.



STEP 4 : Attach Storage Side Rails (I) to Headboard assembly(A) and Storage Footboard (C) as shown. using JCBC BOLT (1) with Spring Washer (3), Flat washer (4) and securing with ALLEN KEY (8) as shown.

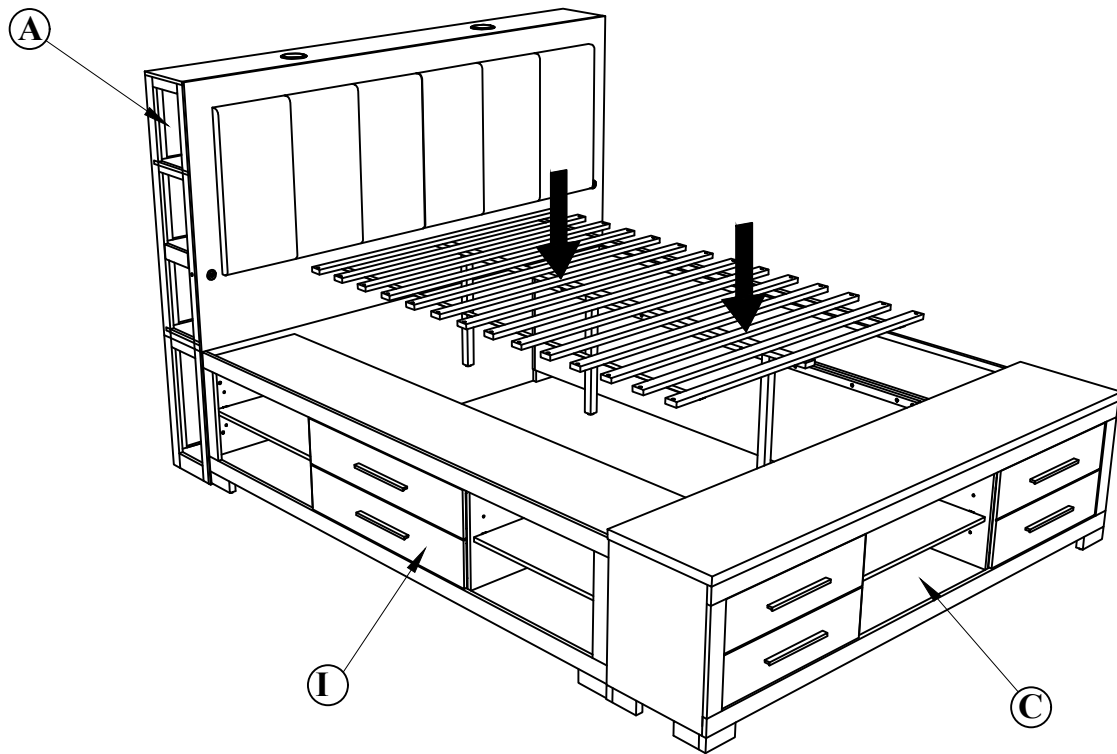


STEP 5.1 : Attach slat support (H) and center slat (G)to bed slat (F)as shown. Using JCBC BOLT (2) and insert barrel nut (7)at slat support hole(H) then securing with ALLEN KEY (8).

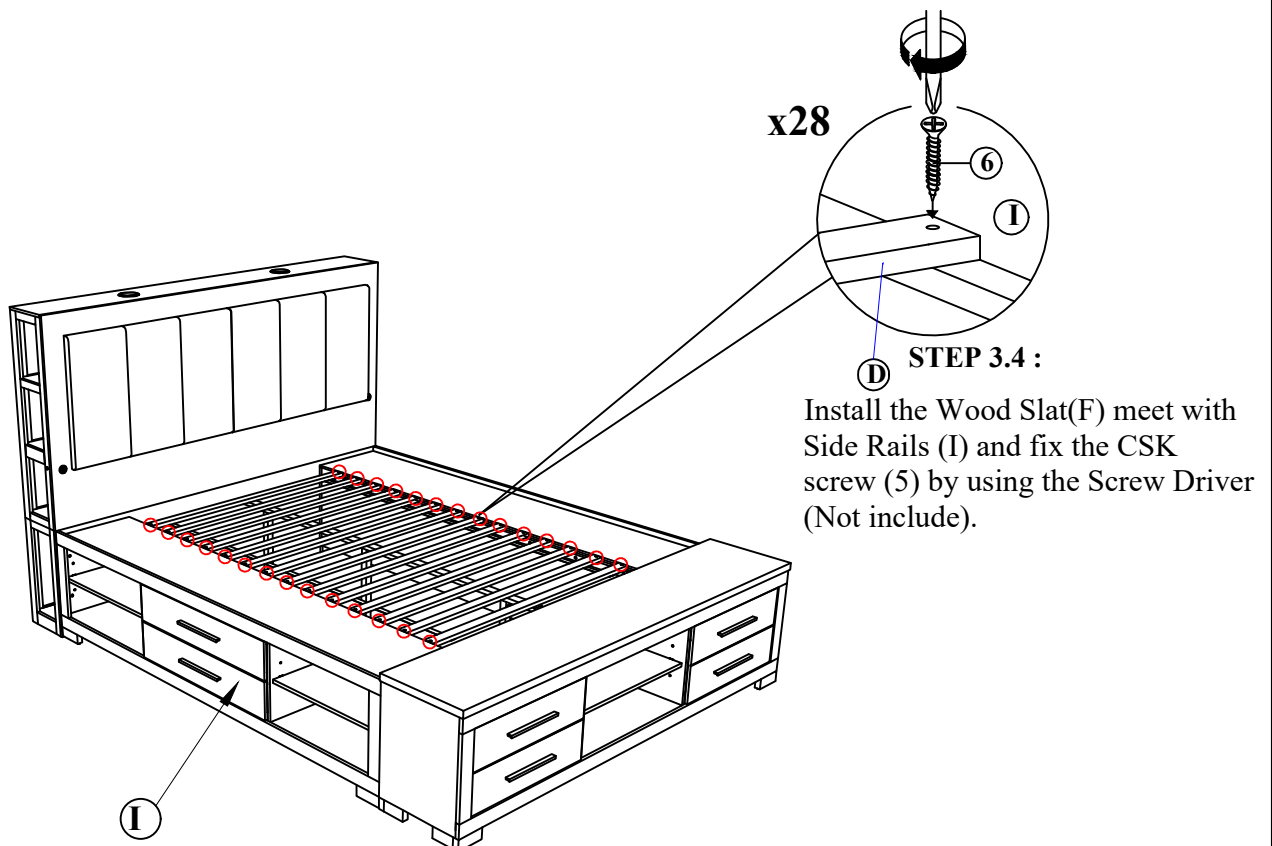


COMPLETE ASSEMBLY

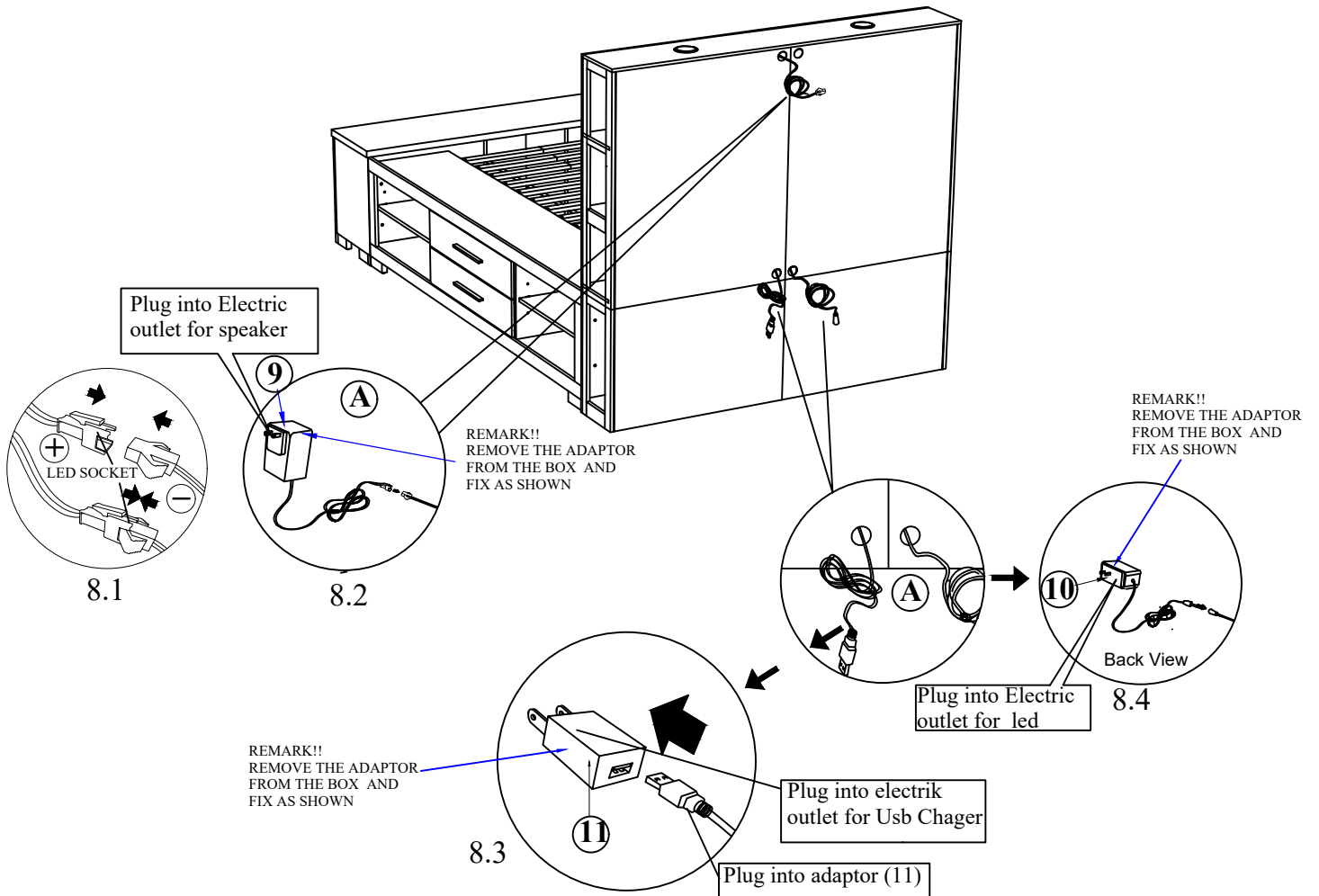
STEP 6 : Attach and align Assembly slat (F) on into a bed frame as shown.



STEP 7 : Install bed slat (F) with CSK screw (5) with screw driver (not include)



STEP 8: Attach adaptor and plug into electric outlet.



STEP 9 :

