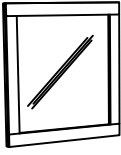
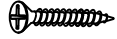




# ASSEMBLY INSTRUCTIONS

**Model :** Emma-Black/Grey-MR  
Emma-Natural/White-MR

**Description :** Mirror

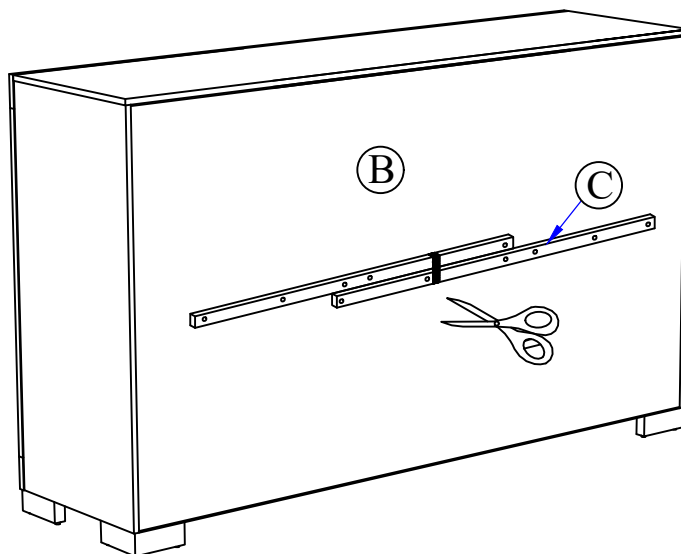
Thank you for purchasing this quality product. Be sure to check all packing materials carefully for small parts, that may have come loose inside the carton during shipment

PART LIST : MIRROR				HARDWARE LIST				
No	Description	Diagram	Quantity	PACKED IN MIRROR BOX				
No	Description	Diagram	Size	Quantity				
A	Mirror		1 pc	1	Csk Screw		M4 x 32mm	10 pcs

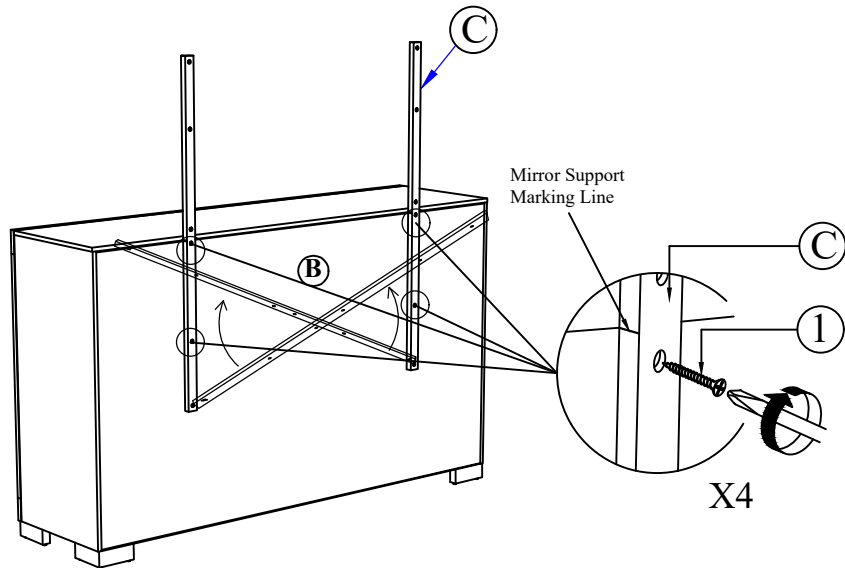
PART LIST : DRESSER			
No	Description	Diagram	Quantity
B	Dresser		1 pc
C	Mirror Back Support		2 pcs

**STEP 1 :**

Cut the rope and rotate the Back Mirror Support (C) upward before tightening the screw.



**STEP 2 :** Turn the mirror support (C) vertical at the back of the dresser (B) and align it against the marking on the mirror support (C) to the edge of the dresser (B). Tighten the mirror support (C) to the dresser (B) by using a screwdriver with flat head chipboard screw (1) as shown.



**STEP 3 :** Place the mirror (A) on the dresser (B) and align the line marking on the mirror (A) to the line marking on the dresser (B). Tighten the mirror (A) to the mirror support (C) by using a screwdriver with flat head chipboard screw (1) as shown.

