

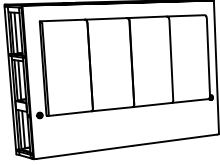
ASSEMBLY INSTRUCTIONS

Model : Madison-Natural/White/Black/Gray-FB-HB W/LED USB Bluetooth Speaker
 Madison-Natural/White/Black/Gray-FB-HB Base
 Madison-Natural/White/Black/Gray-FB-FB W/Drawer & Shelf
 Madison-Natural/White/Black/Gray-FB-SR DWR 1
 Madison-Natural/White/Black/Gray-FB-SR DWR 2


Description : Full Bed Headboard W/LED, USB, Bluetooth Speaker
 Full Bed Headboard Base
 Full Bed Footboard With 2 Drawers & 1 Shelf
 Full Bed Siderail Drawer1
 Full Bed Siderail Drawer2

Thank you for purchasing this quality product. Be sure to check all packing materials carefully for small parts, that may have come loose inside the carton during shipment

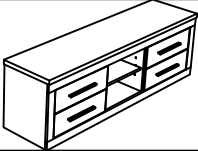
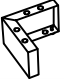
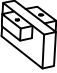

PART LIST : UPPER HEADBOARD BOX

No	Description	Diagram	Quantity
A	Upper Headboard		1 pc

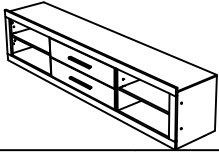
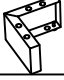


PART LIST : LOWER HEADBOARD BOX

No	Description	Diagram	Quantity
B	Lower Headboard		1 pc

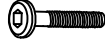


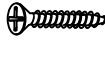
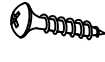
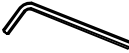
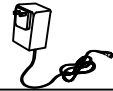


PART LIST : STORAGE FOOTBOARD BOX

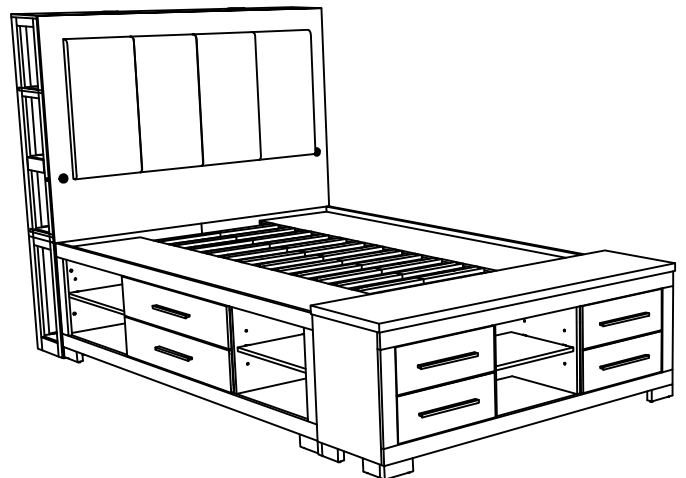
No	Description	Diagram	Quantity
C	Storage Footboard		1 pc
D	Chrome Metal Leg		4 pcs
E	Footboard Bottom Center Leg		2 pcs
F	Bed Slat		14 pcs

PART LIST : STORAGE SIDE RAILS BOX

No	Description	Diagram	Quantity
G	Storage Side Rail		2 pcs
H	Chrome Metal Leg		4 pcs
I	Side Rail Bottom Back Leg		4 pcs
J	Side Rail Bottom Center Leg		4 pcs

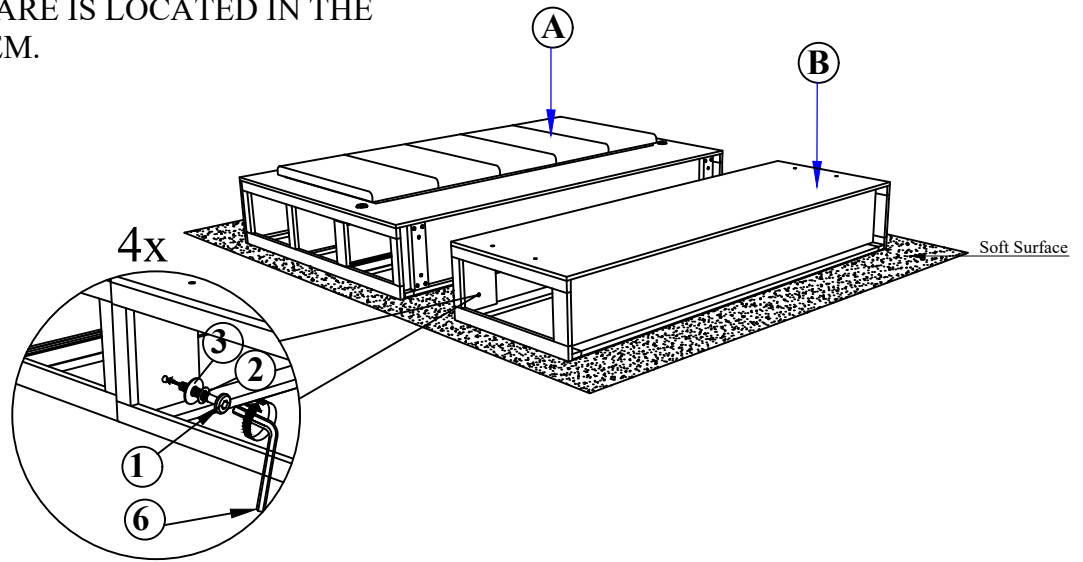
HARDWARE LIST

PACKED IN VANITY CENTER DESK				
No	Description	Diagram	Size	Quantity
1	JCBC Bolt		M6 x 30mm	12 pcs
2	Spring Washer		Spring Washer 1/4" Blk	12 pcs
3	Flat Washer		Flat Washer 1/4" ID 19mm OD Blk	12 pcs
4	Flat Head Chipboard Screw		CSK M4 x 32MM	48 pcs
5	Pan Head Chipboard Screw		Pan Head Screw M3.5 x 16 blk	32 pcs
6	Allen Key		ALLEN KEY m4x65mm Blk	1 pc
7	Adaptor Speaker			1 pc
8	Adaptor Led			1 pc
9	Adaptor Usb			1 pc



STEP 1 : Attach Lower Head Board (B) to Head Board (A) as shown. using JCBC BOLT(1)with Spring Washer (2), Flat washer (3)and securing with ALLEN KEY (6).

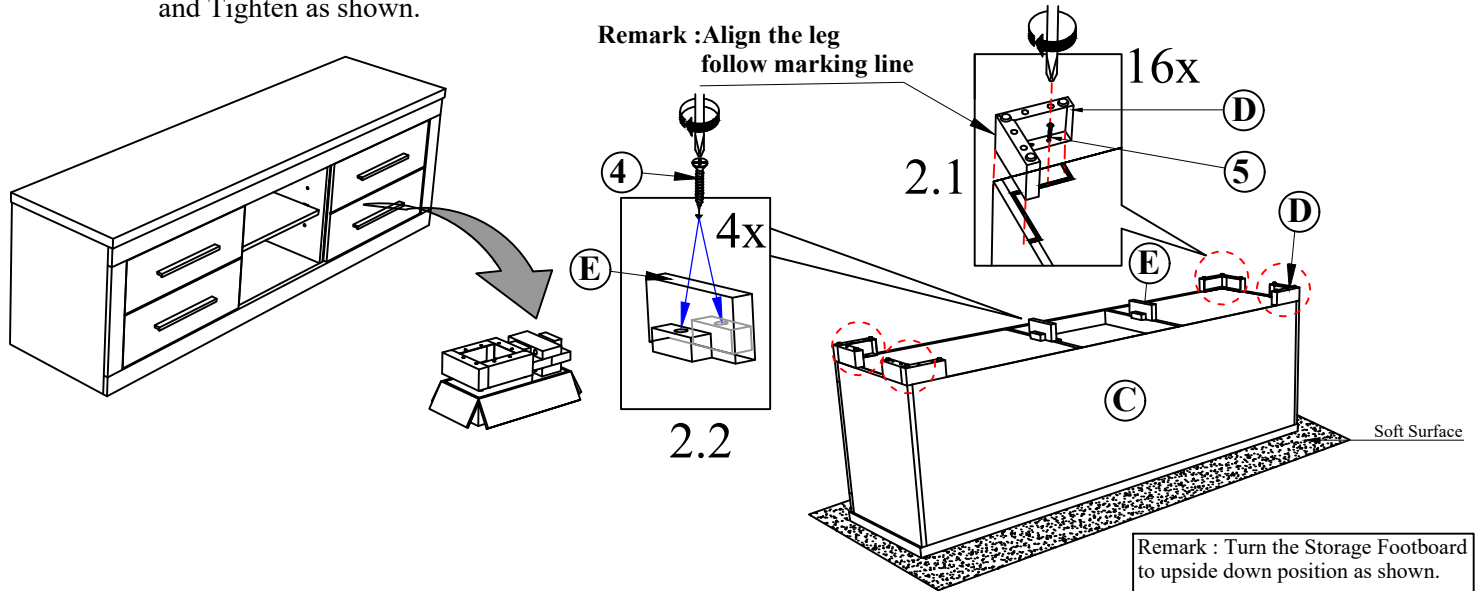
THE HARDWARE IS LOCATED IN THE PACKING ITEM.



STEP 2.1 : Pull the drawer and take out the Leg (D)&(E). Attach the Chrome metal leg (D) & (E) at the bottom Storage footboard (C). Used Pan head chipboard screw(5) and Tighten as shown.

STEP 2.2 : Attach the Footboard bottom leg (E) at the bottom Storage footboard (C). Used flat head chipboard screw(4) and Tighten as shown.

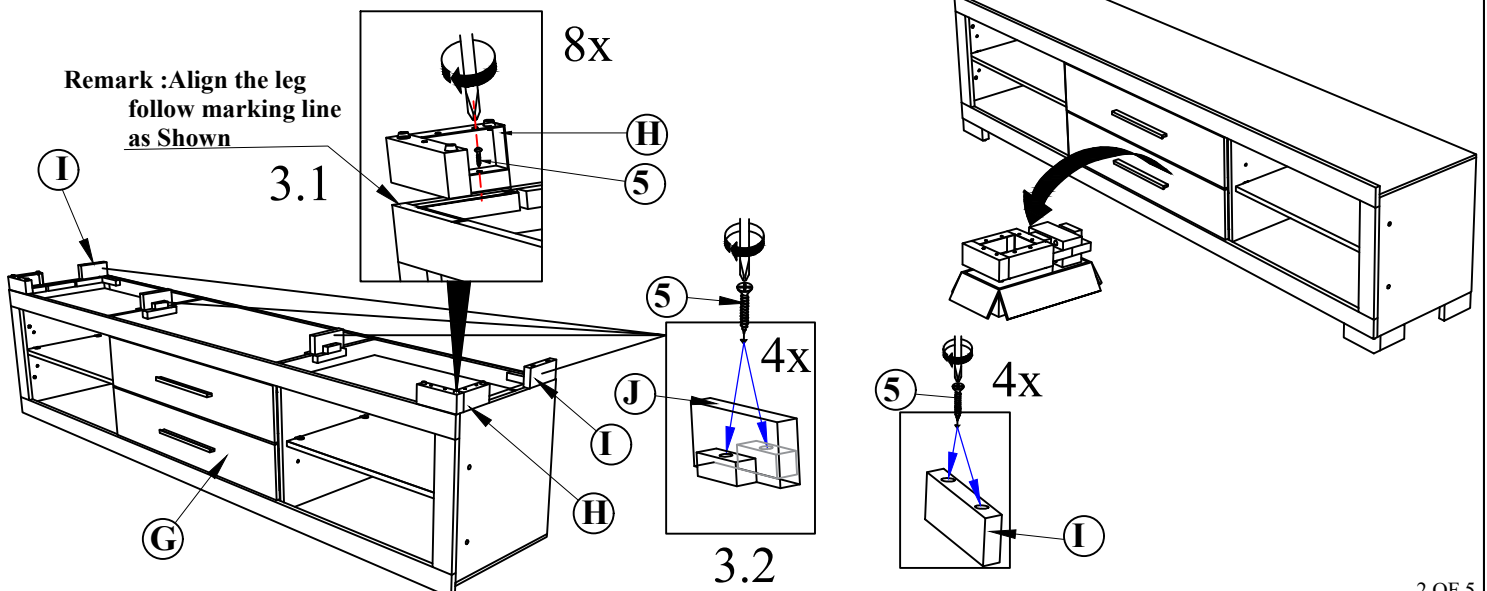
Remark : Align the leg follow marking line



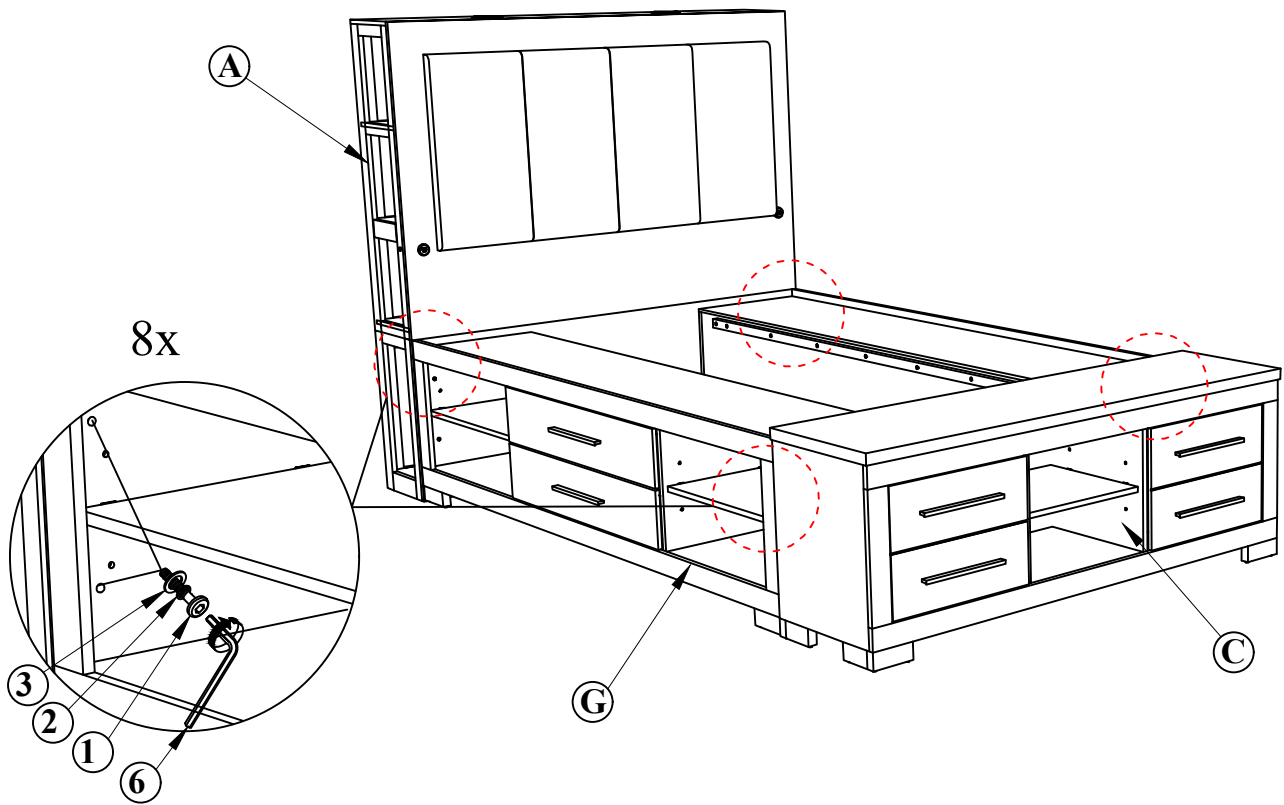
STEP 3.1 : Pull the drawer and take out the Leg (H),(I) &(J). Attach the Chrome metal leg (H) at the bottom Storage side rails (G). Used Pan head chipboard screw(5) and Tighten as shown.

STEP 3.2 : Attach the side rails bottom leg (I) & (J) at the bottom Storage Side Rail (G). Used Flat head chipboard screw(4) and Tighten as shown.

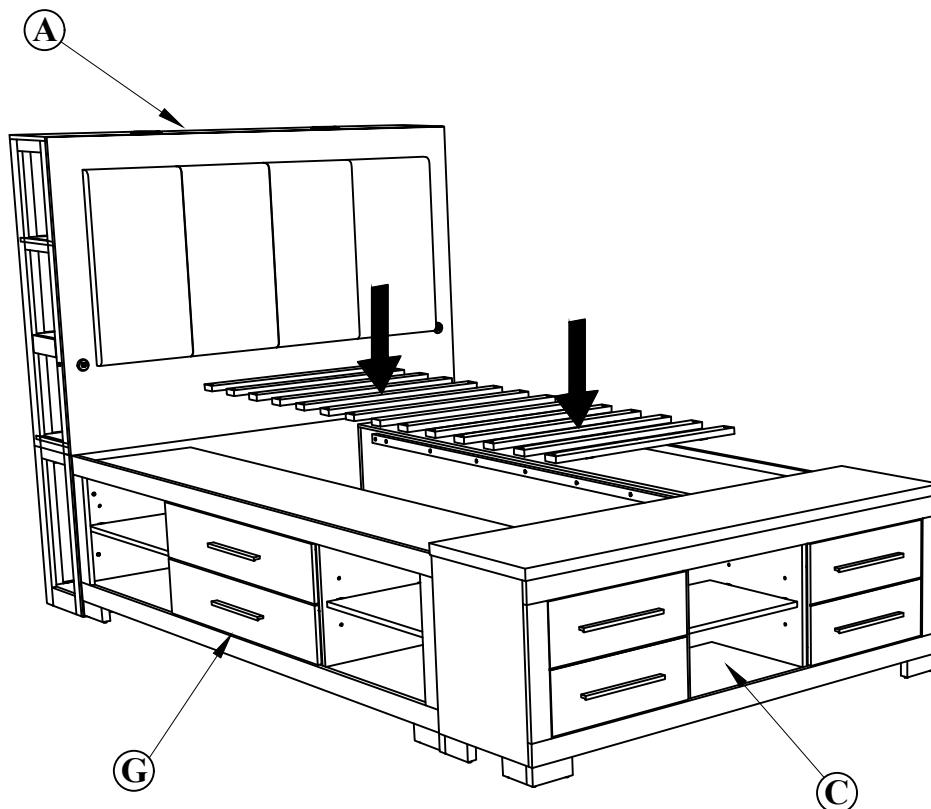
Remark : Align the leg follow marking line as Shown



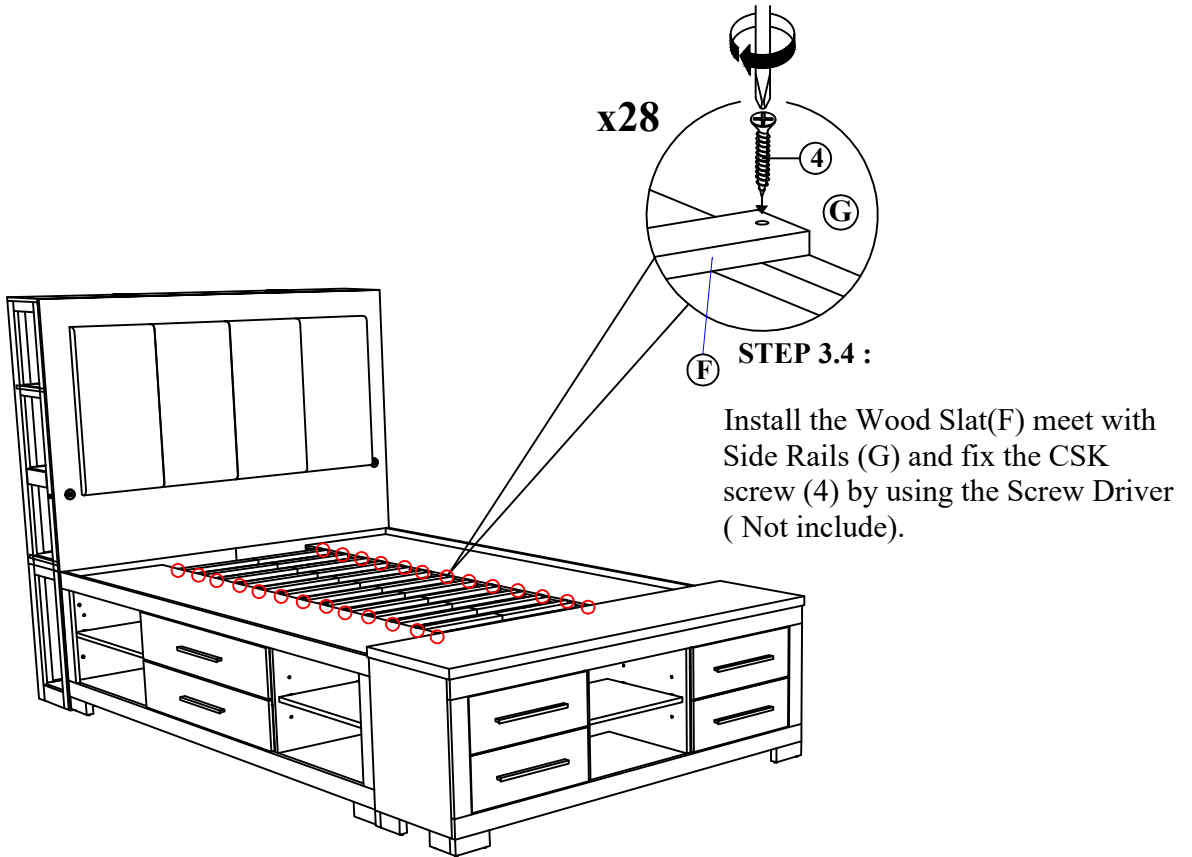
STEP 4 : Attach Storage Side Rails (G) to Headboard assembly(A) and Storage Footboard (C) as shown. using JCBC BOLT (1) with Spring Washer (2), Flat washer (3) and securing with ALLEN KEY (6) as shown.



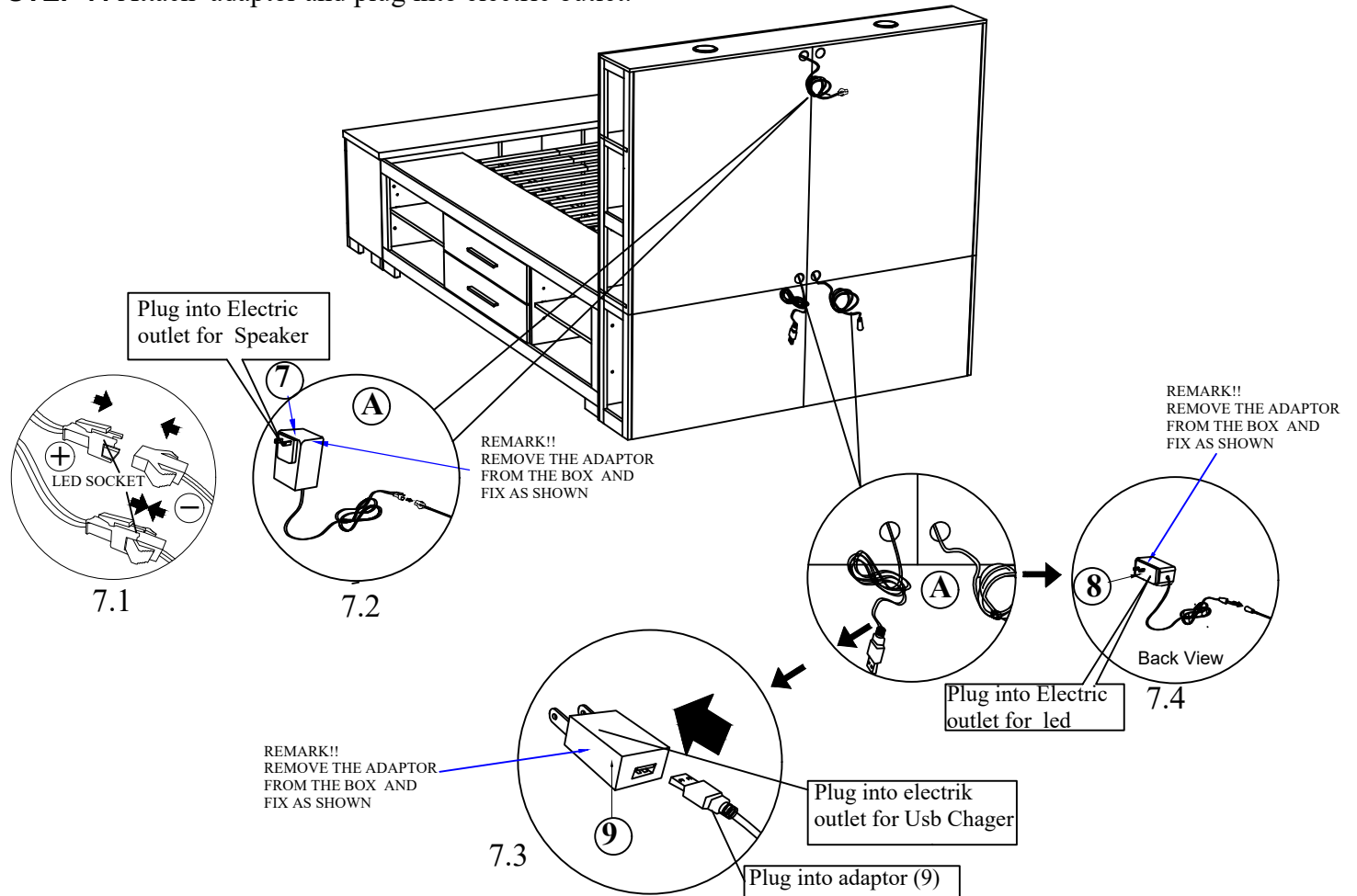
STEP 5 : Attach and align the Bed slat (F) on into a bed frame as shown.



STEP 6 : Install Bed slat (F) with CSK screw (4) with screw driver (not include) as shown.



STEP 7: Attach adaptor and plug into electric outlet.



STEP 8 :

