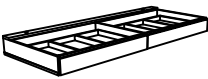


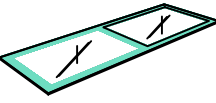
ASSEMBLY INSTRUCTIONS

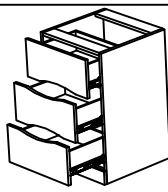
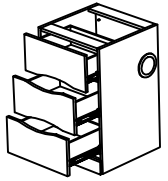

Model : Ella White / Black VT W/LED
 Ella White / Black Vanity TG
 Ella White / Black Vanity Side W/Speaker
 Ella White / Black STR VS
 Ella White / Black MR W/LED


Description : Vanity Top With Led
 Vanity Top Glass
 Vanity Side (Pedestal x2 pcs , Speaker)
 Storage Stool
 Mirror With Led

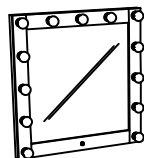

Thank you for purchasing this quality product. Be sure to check all packing materials carefully for small parts, that may have come loose inside the carton during shipment

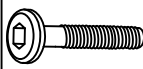

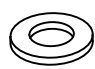


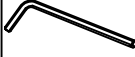
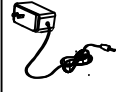


PART LIST : VANITY CENTER DESK BOX			
No	Description	Diagram	Quantity
A	Vanity Center		1 pc



PART LIST : VANITY TEMPERED TOP GLASS			
No	Description	Diagram	Quantity
B	Tempered Glass Top		1 pc

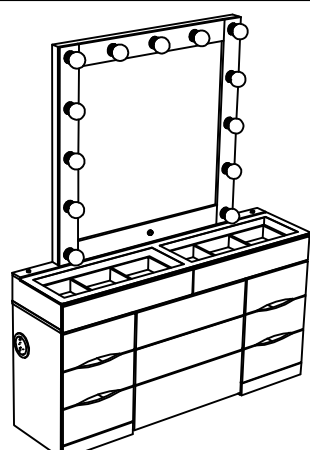
PART LIST : VANITY DRAWER BOX			
No	Description	Diagram	Quantity
C	Vanity 3 Drawer Left		1 pc
D	Vanity 3 Drawer Right		1 pc
E	Bottom Back Panel		1 pc

PART LIST : VANITY STOOL STORAGE			
No	Description	Diagram	Quantity
F	Stool Storage		1 pc

PART LIST : VANITY MIRROR BOX			
No	Description	Diagram	Quantity
G	Mirror		1 pc
H	Mirror Support		2 pcs

HARDWARE LIST				
PACKED IN VANITY CENTER DESK				
No	Description	Diagram	Size	Quantity
1	JCBC Screw		M6 x 30mm	2 pcs
2	Spring Washer		1/4"	2 pcs
3	Flat Washer		1/4"IDx19mmOD	2 pcs
4	Wood Dowel		8 x 20mm	2 pcs
5	Pan Head Chipboard Screw		M4 x 25mm	11 pcs
6	Allen Key		M4 x 65mm	1 pc
7	Adaptor Speaker			1 pc
8	Adaptor Led			1 pcs
9	Door Bubble Transparent		D7mmx1.5mm	6 pcs

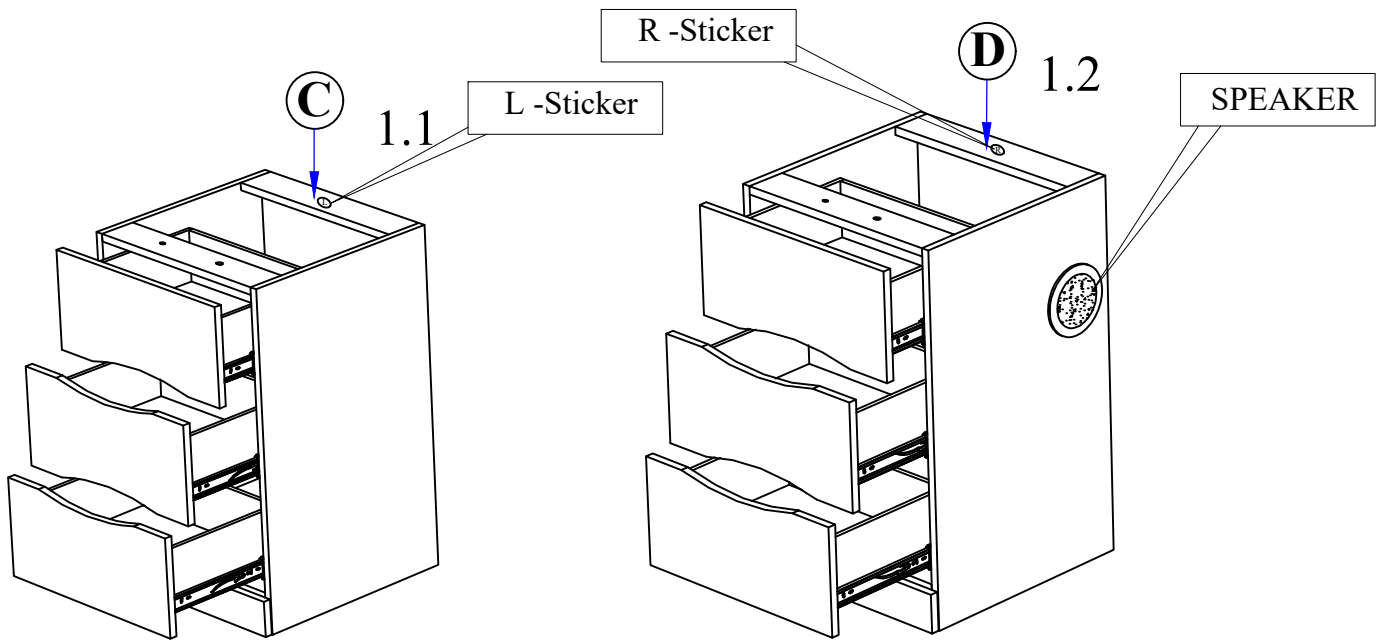
HARDWARE LIST				
PACKED INSIDE MIRROR				
No	Description	Diagram	Size	Quantity
10	Flat Head Chipboard Screw		M4 x 32mm	8 pcs
11	Adaptor mirror			1 pc



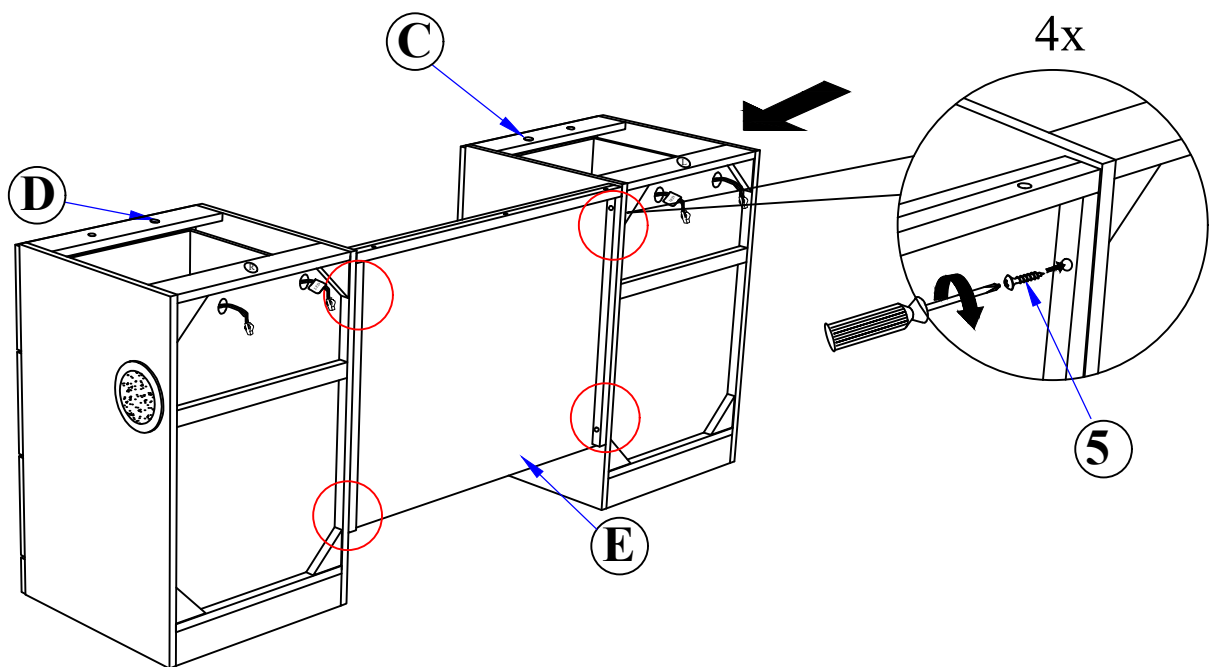
COMPLETE VANITY ASSEMBLY

NOTE : MUST TIGHTEN SCREWS PERIODCALLY WITH USE SCREW WILL BECOME LOOSE CHECK TIGHTNESS OF ALL SCREW EVERY 6-8 WEEKS.

STEP 1 : Remove all protection at Vanity 3 Drawer (C & D).
THE HARDWARE IS LOCATED IN THE
PACKING ITEM.

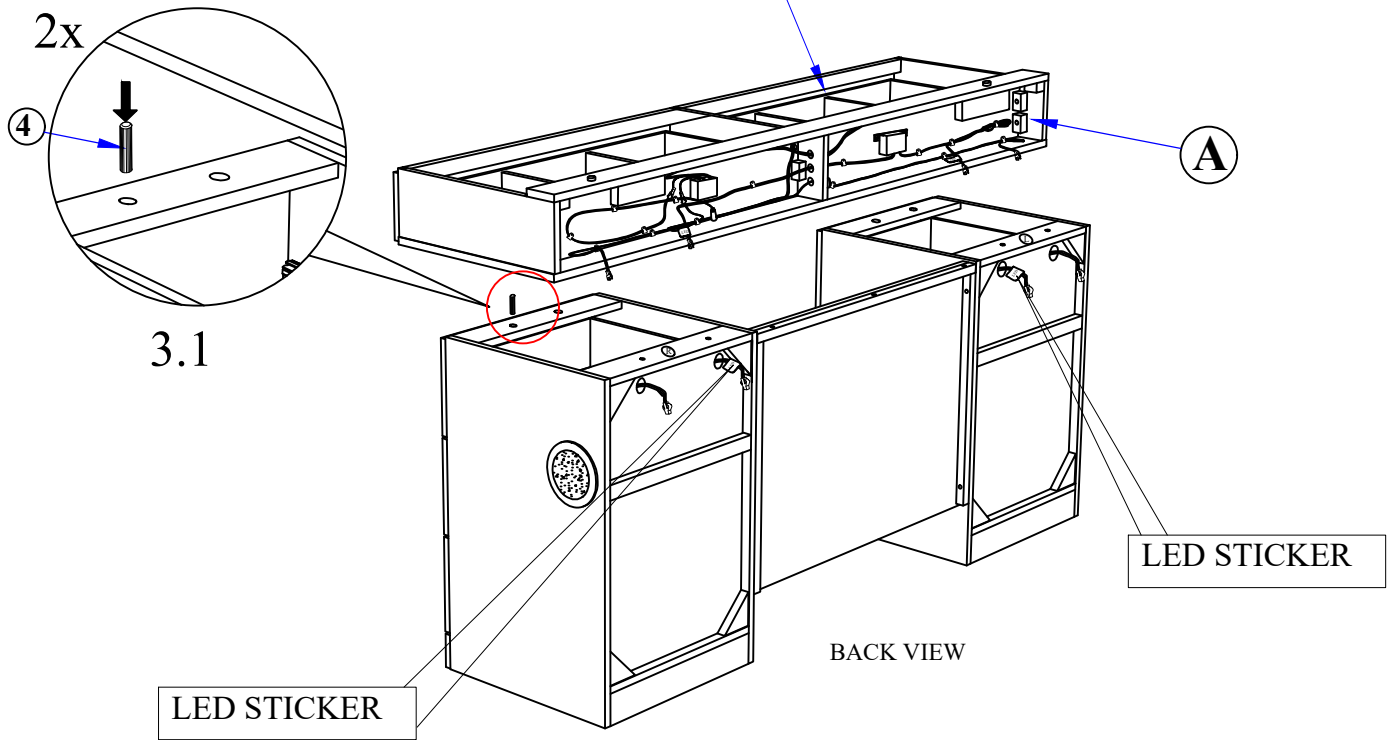


STEP 2 : Attach Bottom Back panel(E) between vanity 3 drawer (C & D) and secure with flat head chipboard screw(5) ,
Then tighten with screw driver(not included) as shown.

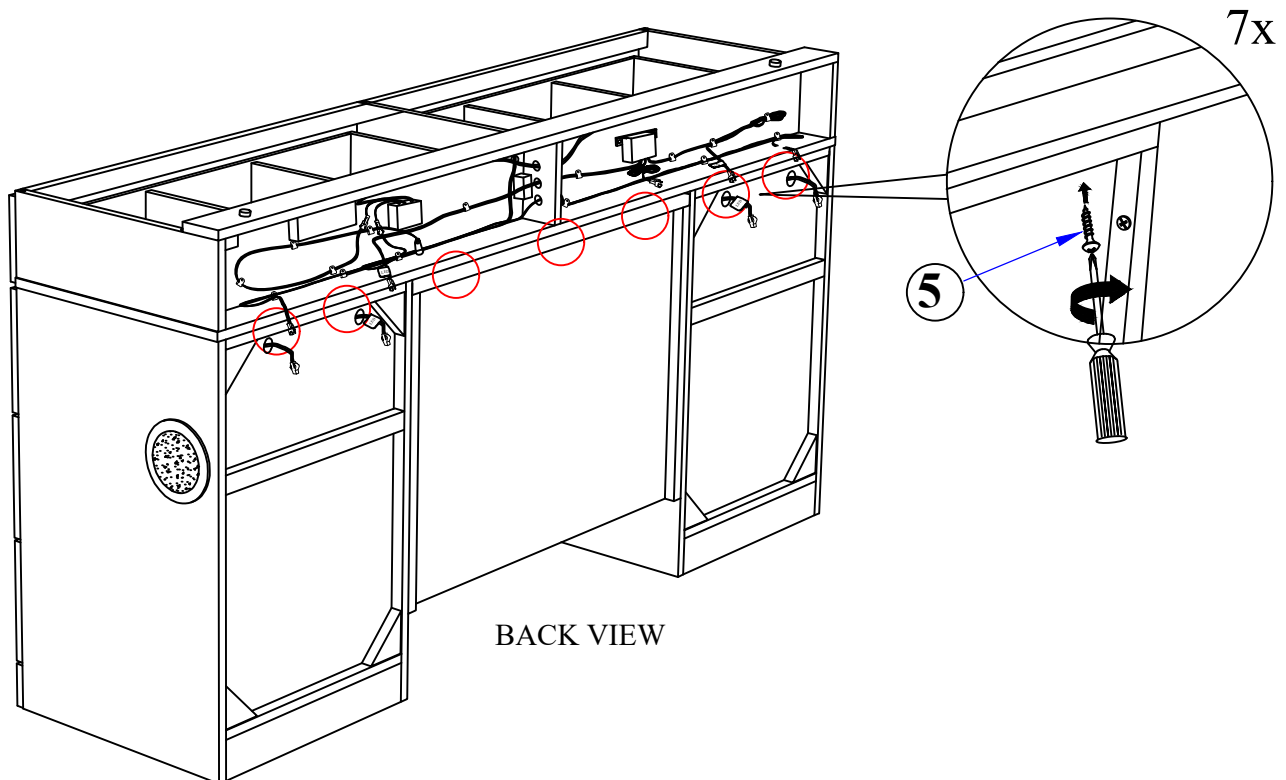


STEP 3 : Insert Wood Dowel(4) at Vanity 3 Drawer (C & D) and Attach Vanity Center(A) as shown.

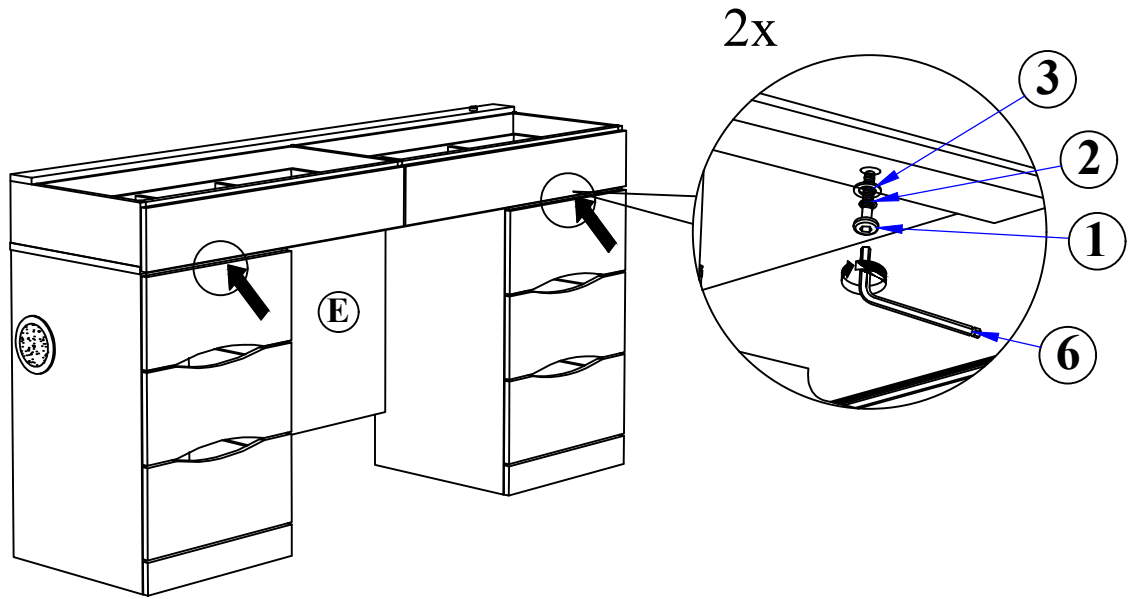
REMARK : Location Hardware



STEP 4 : Attach Bottom Back panel(E) between vanity 3 drawer (C & D) and secure with flat head chipboard screw(5) ,Then tighten with screw driver(not included) as shown.

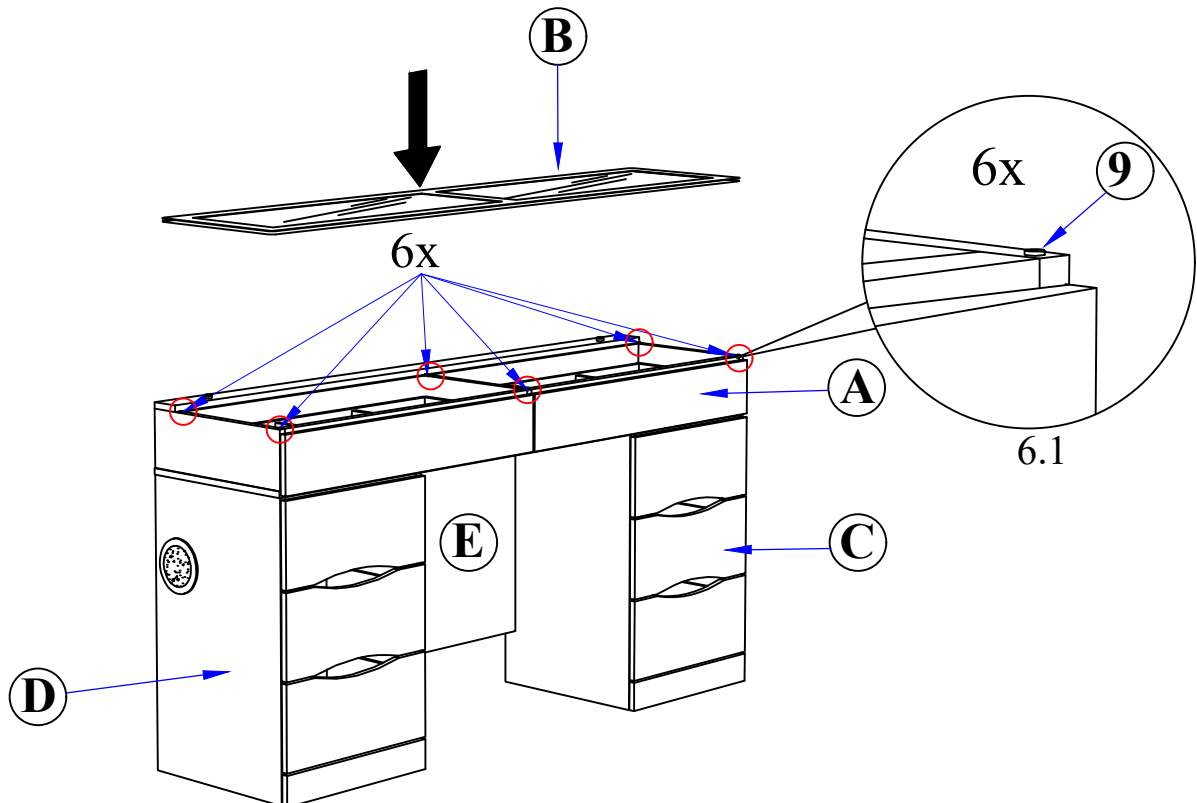


STEP 5 : Assemble Vanity Center(A) to Vanity 3 drawer (C & D) accordingly secure with JCBC (1), Spring washer(2), Flat washer(3). then Tighten with Allen Key (6) as shown.

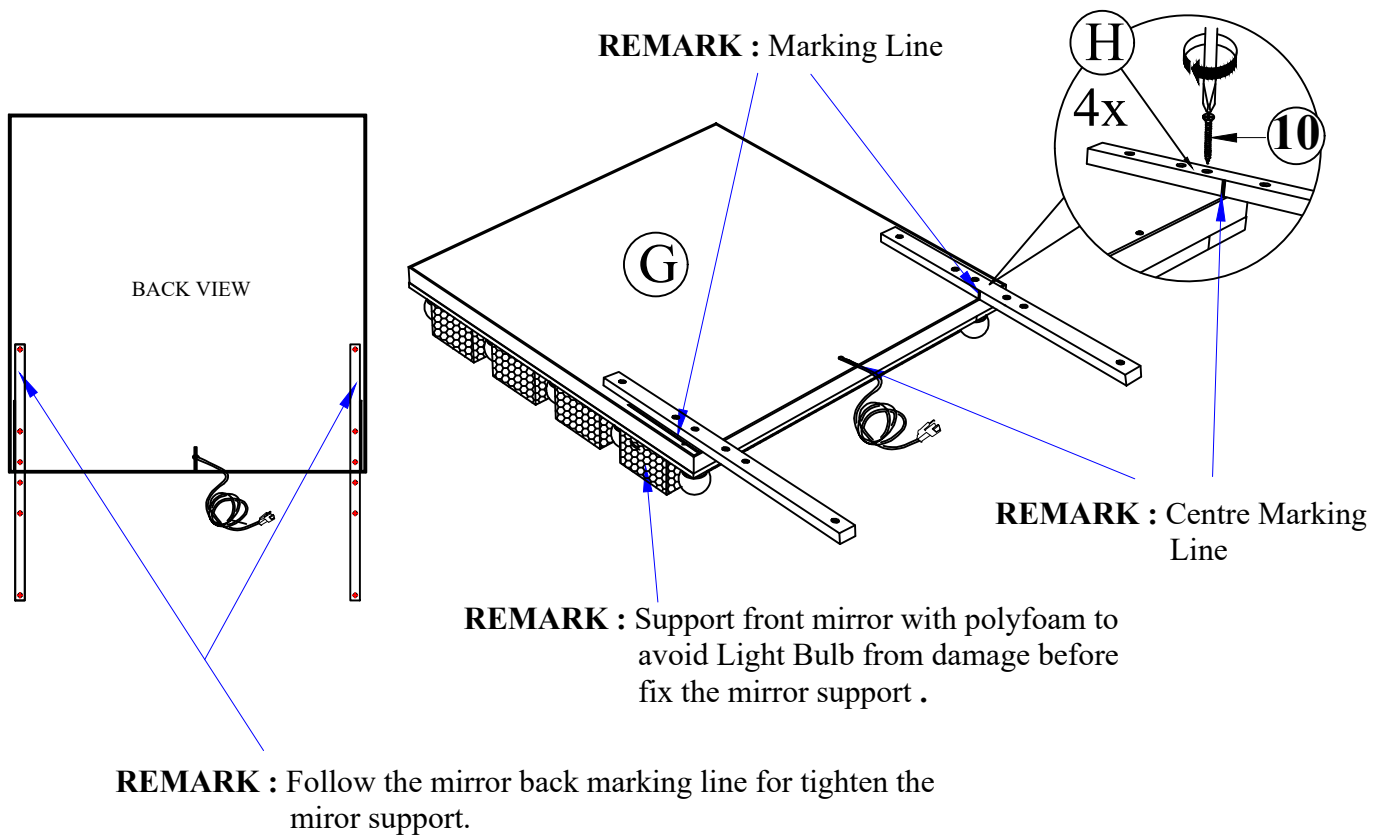


STEP 6 : Paste Door Bubble Sticker(9) on top of Vanity center (A) as shown. Put the Top Glass (B) gently on the Door Bubble (9) and align top glass(B) parallel as shown.

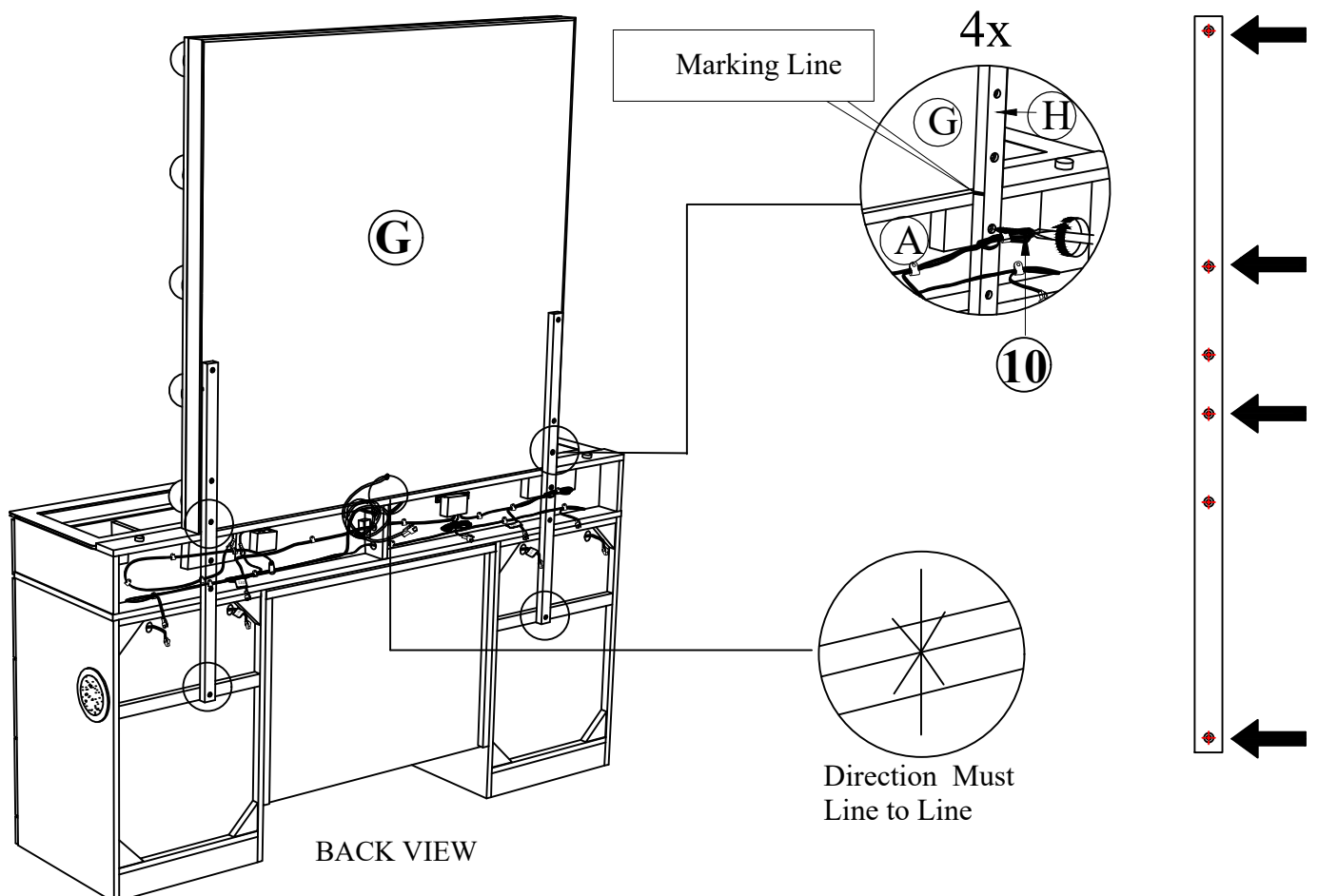
WARNING! : Need two Peoples to place the top glass.



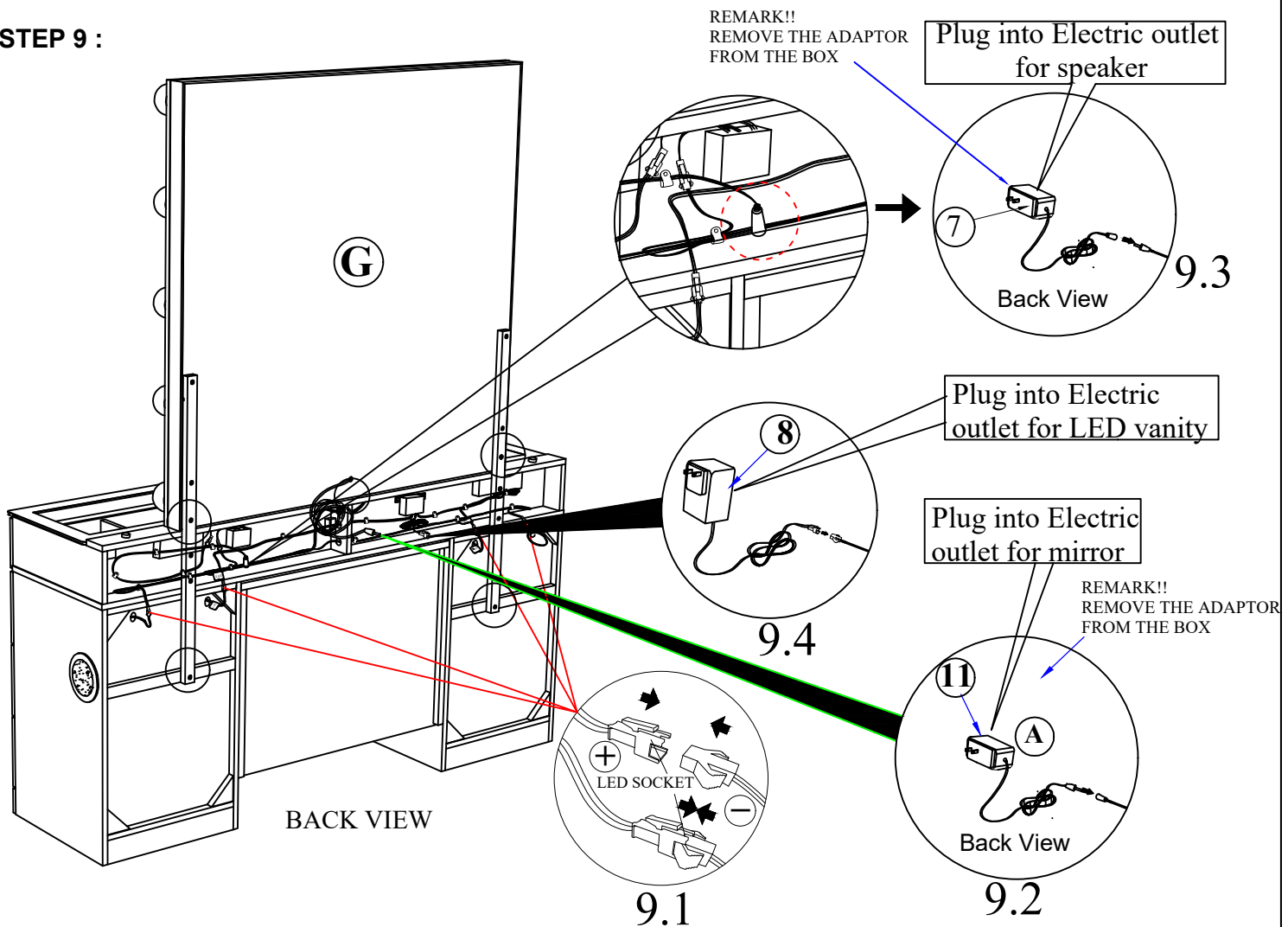
STEP 7 : Attach Mirror Support (H) to Mirror (G) as shown and tighten with CSK Screw (10).



STEP 8 : Tighten the CSK Screw (10) as shown.



STEP 9 :



STEP 10 :

