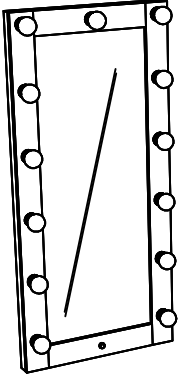




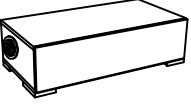
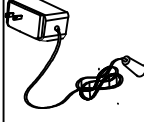
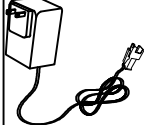
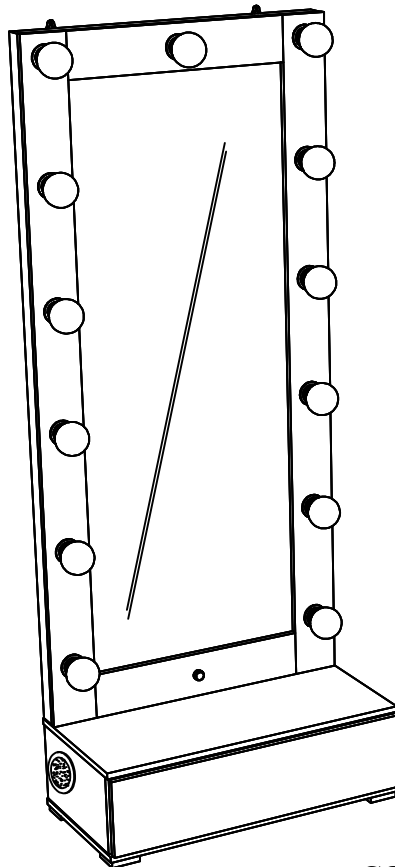


# ASSEMBLY INSTRUCTIONS

**Model : ELLA White / Black Narrow Tall MR/W LED  
ELLA White / Black Small DRW W/Speaker**

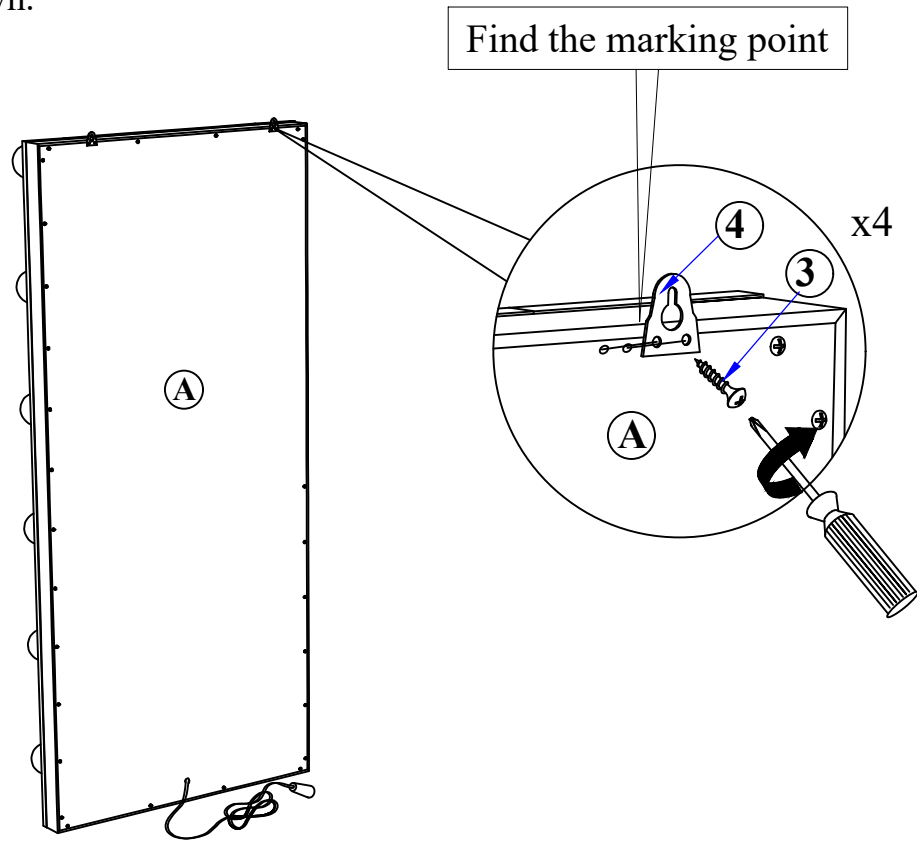
**Description : Narrow Tall Mirror With Led  
Small Drawer With Speaker**

PART LIST : NARROW TALL MIRROR				HARDWARE LIST					
No	Description	Diagram	Quantity	PACKED IN TALL MIRROR					
No	Description	Diagram	Size	Quantity					
A	Tall Mirror		1 pc	1	Flat Head Chipboard Screw		M4 x 32mm	2 pcs	
				2	Wall Plug		6mm x 31mm	2 pcs	
				3	Pan Head Chipboard Screw		M3.5 x 20mm	4 pcs	
				4	Hook			2 pcs	
B	Drawer Box		1 pc	5	Adaptor Led			1 pc	
				6	Adaptor Speaker			1 pc	



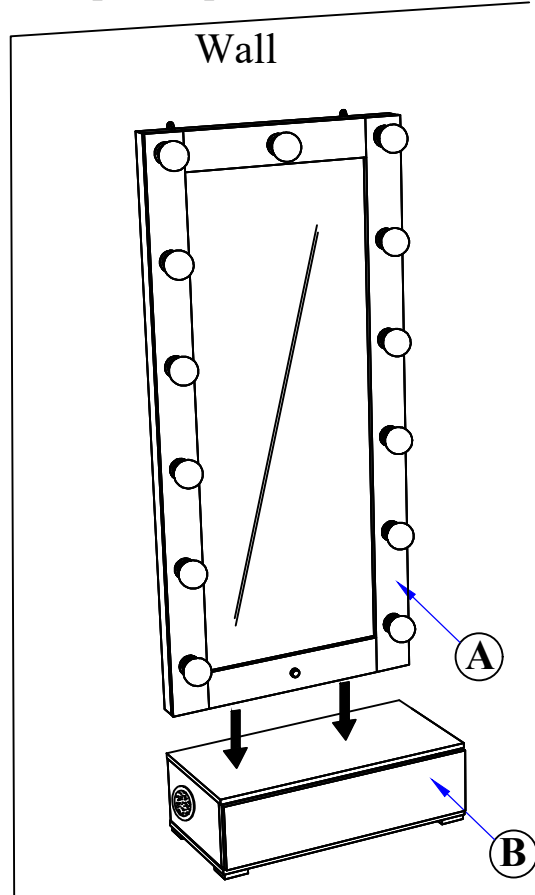
**COMPLETE ASSEMBLY**

**STEP 1:** Attach Hook(4) at Back tall mirror (A) and secure with pan head chipboard screw(3) ,Then tighten with screw driver(not included ) as shown.

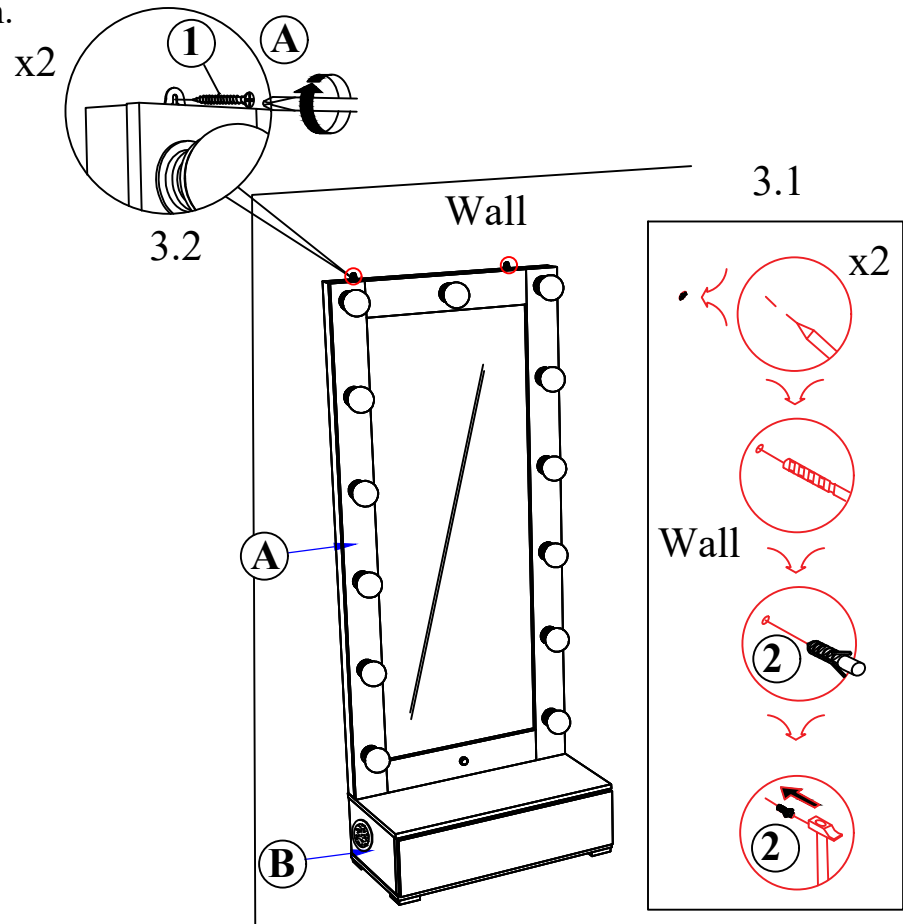


**STEP 2:** Align Tall mirror drawer box (B) touch the wall and Place the Tall Mirror (A) on top of Tall Mirror drawer Box(B).

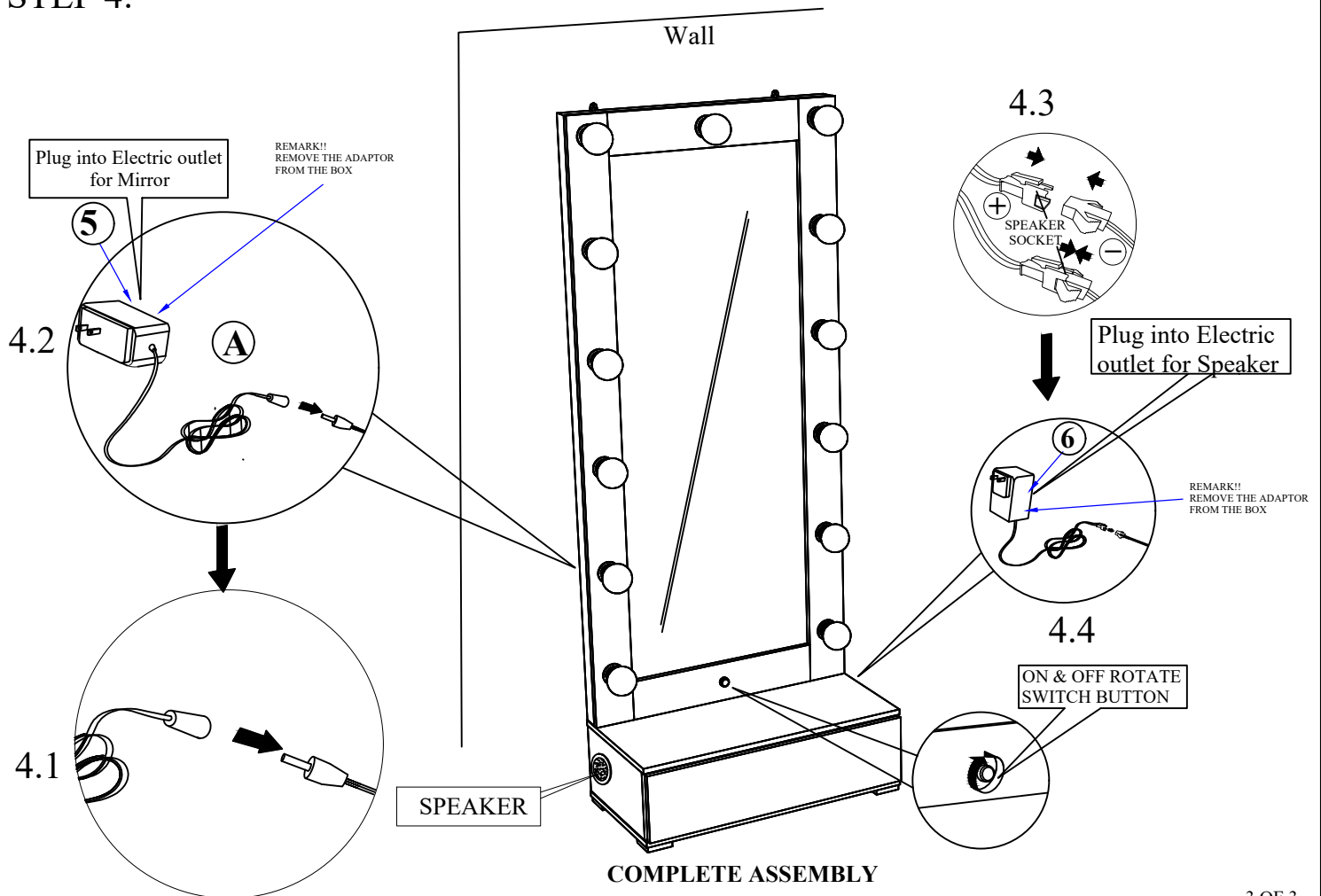
**WARNING! : Need two Peoples to place the Tall Mirror.**



**STEP 3:** Please align and touch tall mirror(A) at the wall. Please marking and drill hole for Insert Wall plug(2) to the wall. Then secure Tall Mirror (A) with flat head chipboard screw(1) and tighten with screw driver(not included )as shown.



**STEP 4:**



NOTE : MUST TIGHTEN SCREWS PERIODCALLY WITH USE SCREW WILL BECOME LOOSE CHECK TIGHTNESS OF ALL SCREW EVERY 6-8 WEEKS.