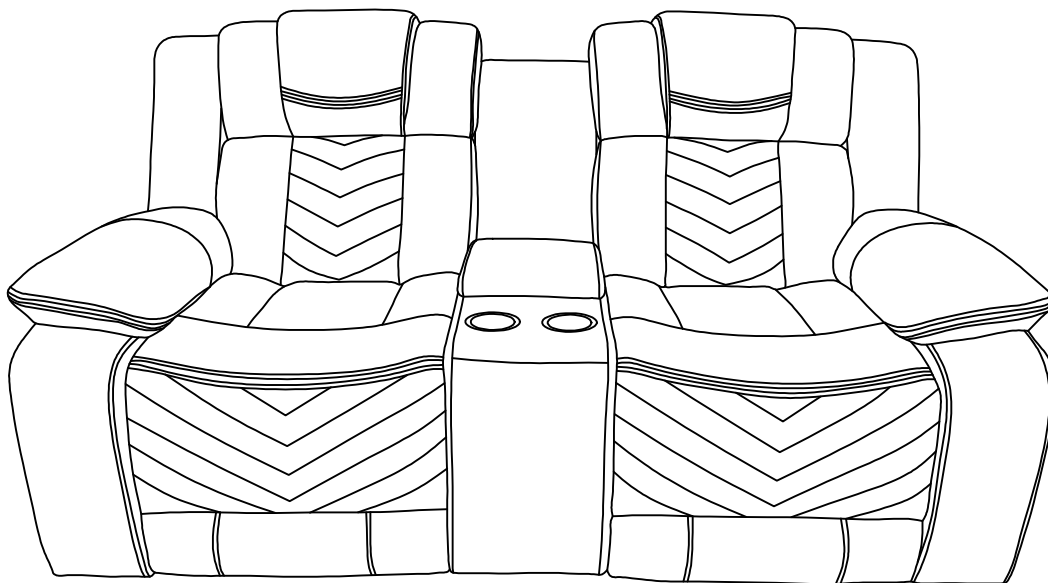


ASSEMBLY INSTRUCTIONS

Model: U7068 Loveseat

Description: Power Console Reclining Loveseat
With LED And USB

Thank you for purchasing this quality product. Be sure to check all packing material carefully for small parts that may have come loose inside the carton during shipment

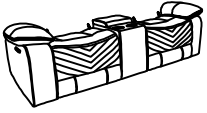
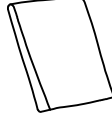







ASSEMBLY INSTRUCTIONS

Model: U7068 Loveseat

Description: Power Console Reclining Loveseat
With LED And USB

Thank you for purchasing this quality product. Be sure to check all packing material carefully for small parts that may have come loose inside the carton during shipment

PARTS LIST				PARTS LIST			
NO.	DESCRIPTION	SKETCH	QTY	NO.	DESCRIPTION	SKETCH	QTY
A	SEAT BODY		1 PC	D	CONSOLE BACK REST		1 PC
B	LEFT BACK REST		1 PC	E	LEFT EAR		1 PC
C	RIGHT BACK REST		1 PC	F	RIGHT EAR		1 PC

HARDWARE LIST				HARDWARE LIST			
NO.	DESCRIPTION	SKETCH	QTY	NO.	DESCRIPTION	SKETCH	QTY
G	ADAPTER		1 PC				

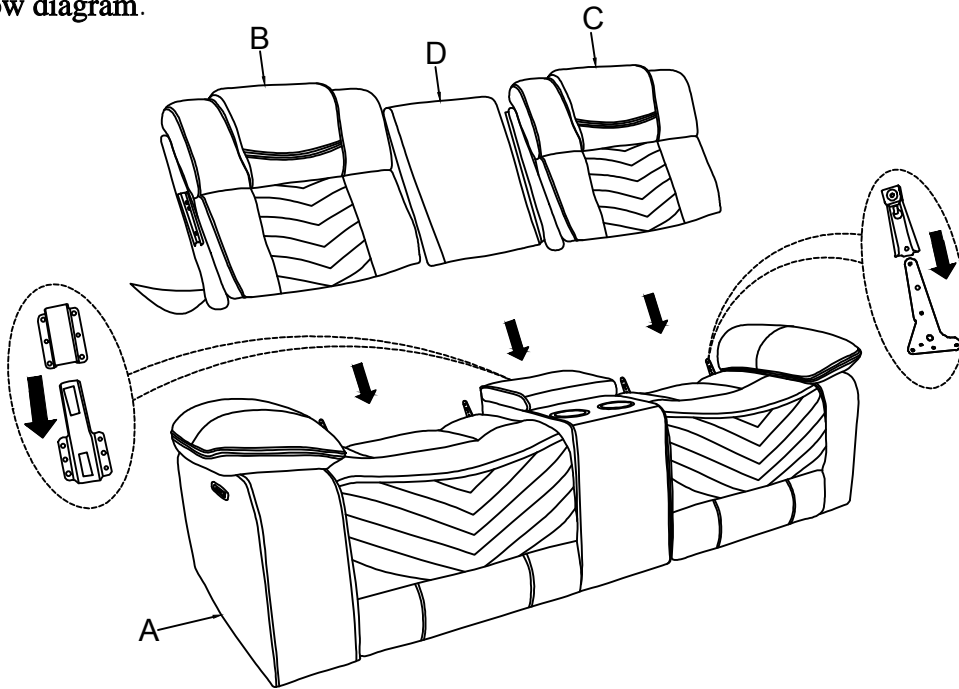
ASSEMBLY INSTRUCTIONS

Model: U7068 Loveseat

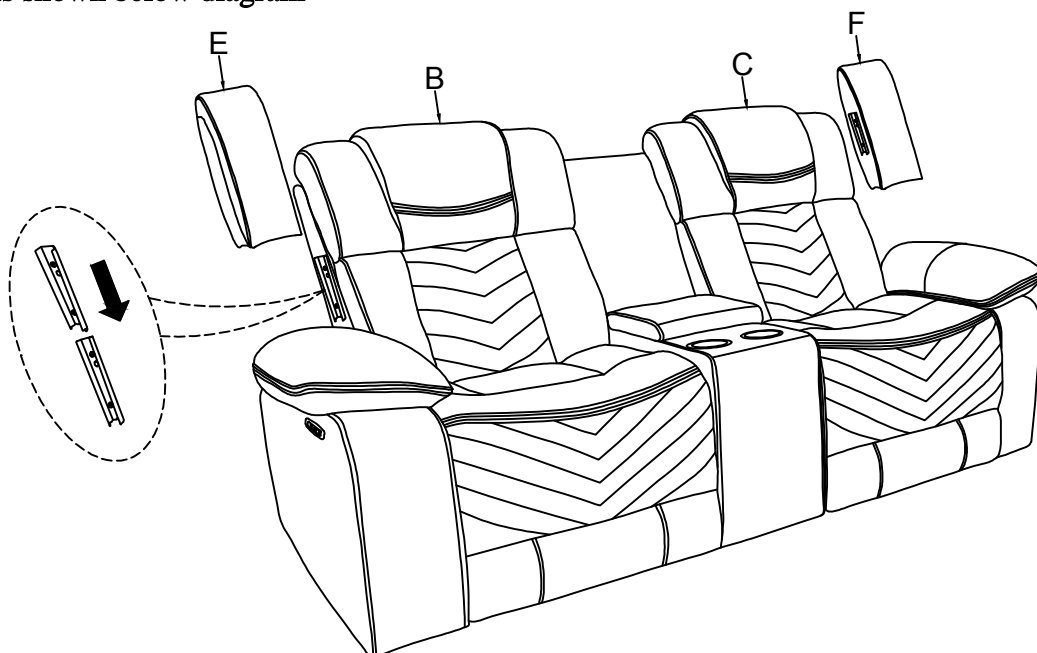
Description: Power Console Reclining Loveseat
With LED And USB

Thank you for purchasing this quality product. Be sure to check all packing material carefully for small parts that may have come loose inside the carton during shipment

Step 1: Attach the left back rest (B), the middle (D) & the right back rest (C) to the body seat (A) as shown below diagram.



Step 2: Attach the left ear (E) to the left back rest (B), attach the right ear (F) to the right back rest as shown below diagram



3 OF 4

Made in Vietnam

ASSEMBLY INSTRUCTIONS

Model: U7068 Loveseat

Description: Power Console Reclining Loveseat
With LED And USB

Thank you for purchasing this quality product. Be sure to check all packing material carefully for small parts that may have come loose inside the carton during shipment

Step 3: Use the adapter (G) to connect with power, then open the footrest by pressing the power to open/close

