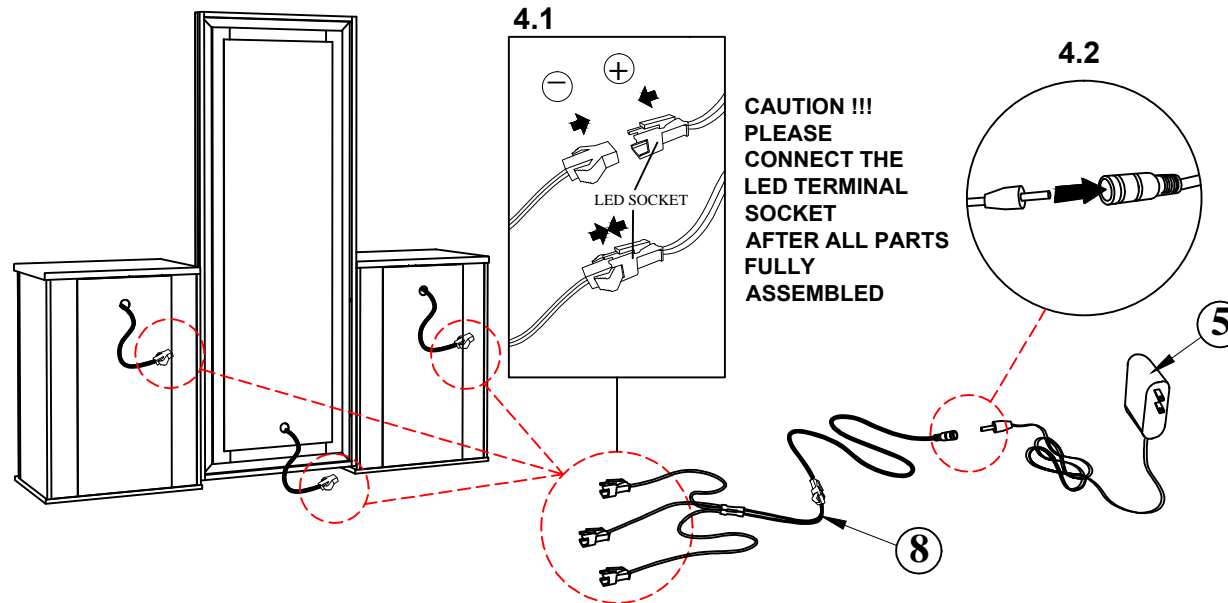
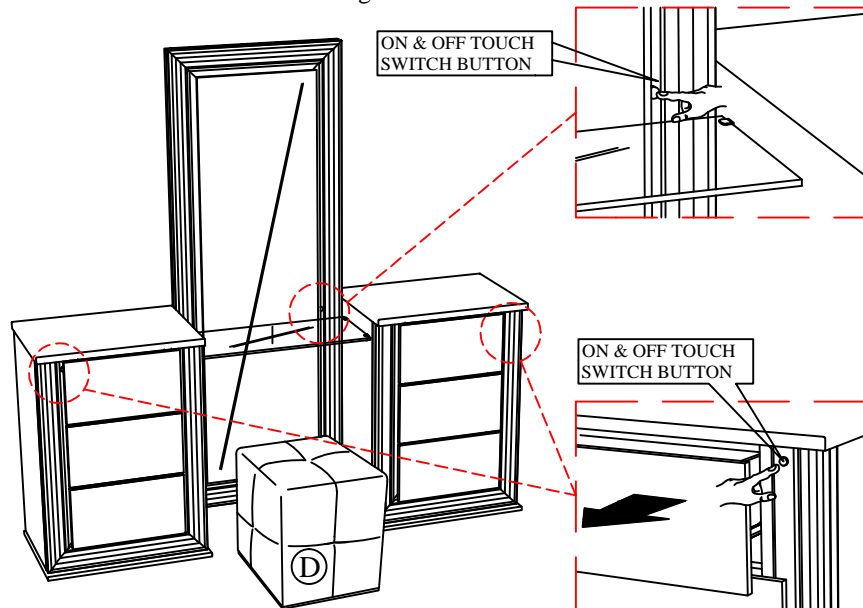


# ASSEMBLY INSTRUCTIONS

**STEP 4 :** Connect the LED wire (8) to the Mirror (A) and Vanity L&R (B) wire cord as Diagram shown. Then Connect LED wire (8) to the Adaptor (5) accordingly.



**STEP 5 :** After Adaptor is Plug in, touch the switch button to activate the LED light as shown.



**WARNING!!**  
After Fix Do Not Move.

**COMPLETED ASSEMBLY**