



# ASSEMBLY INSTRUCTION

MODEL NO: JORDYN - WHITE / GREY - NS





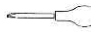
DESCRIPTION: NIGHT STAND

Thank you for purchasing this quality product. Be sure to check all packing material carefully for small parts that may have come loose inside the carton during shipment.

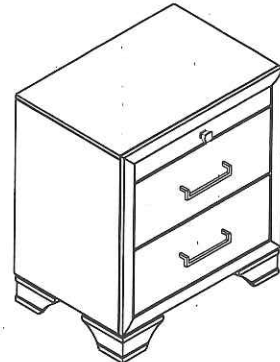
**PART LIST :**

ITEM	DRAWING	DESCRIPTION	QTY
A		NIGHT STAND	1
B		LEG	4

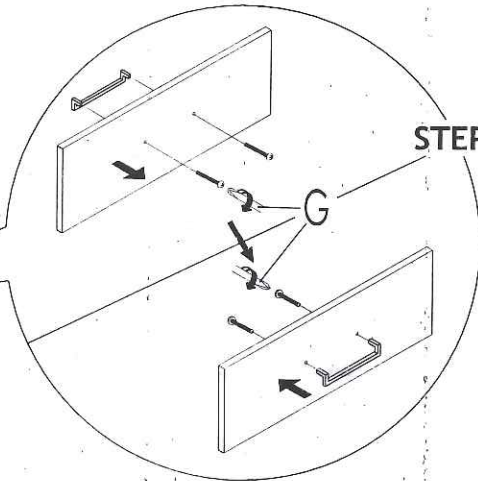
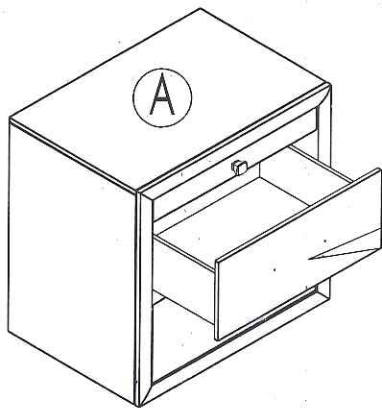
**HARDWARE LIST :**

ITEM	DRAWING	DESCRIPTION	QTY
C		JCB SCREW (M6 x 35mm)	8
D		SPRING WASHER (M8)	8
E		FLAT WASHER (M8 x 18mm)	8
F		ALLEN KEY (M4 x 65mm)	1
G		SCREW DRIVER(*)	1

(\*) The manufacturer does not provide ITEM G

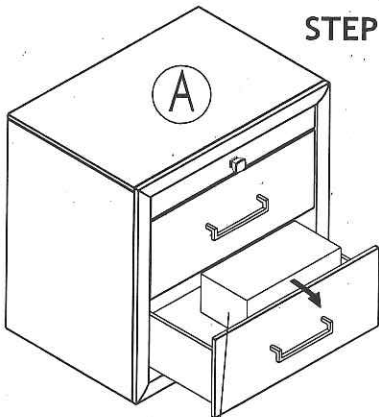


**COMPLETED NIGHT STAND**



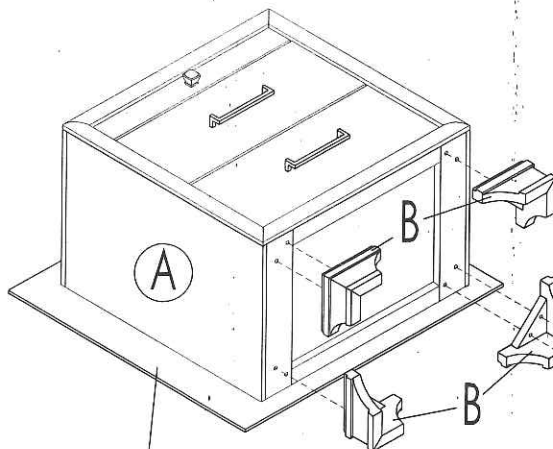
**STEP 1**

UNSCREWING THE HANDLE SCREW FROM OUTSIDE, TAKE OUT THE HANDLE FROM THE DRAWER AND INSTALL HANDLE AT DRAWER FRONT.



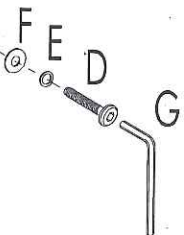
**STEP 2**

TAKE OUT THE LEG



COVER WITH FLAT & SOFT SURFACE

**STEP 3**



**NOTE :** MUST TIGHTEN SCREWS PERIODICALLY. WITH USE SCREW MAY BECOME LOOSE. CHECK TIGHTNESS OF ALL SCREWS EVERY 6-8 WEEKS.

**CLEANING INSTRUCTION :**

AFTER ASSEMBLE, CLEAN & POLISH THE COMPLETED PARTS IF NECESSARY WITH SOFT CLOTH AND INDUSTRIAL RECOGNIZED FURNITURE POLISH.

MADE IN MALAYSIA