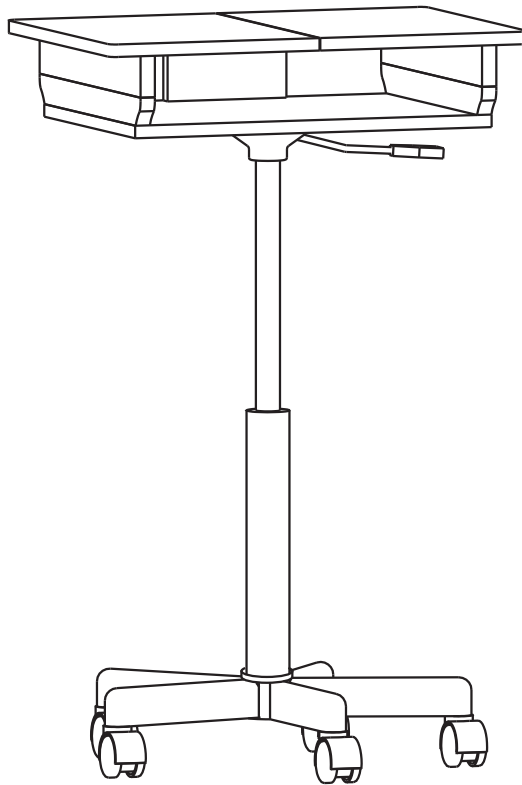


FOLDING TABLETOP LAPTOP CART
MODEL RTA-B006
ASSEMBLY INSTRUCTIONS

REV.OL-7284-0423 & REV.OL-5-9222-1025

Thank you for purchasing our product



FRENCH



Scan QR to view the manual in French

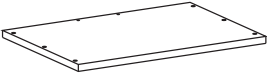
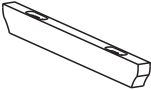


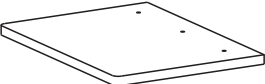
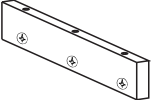







ARABIC

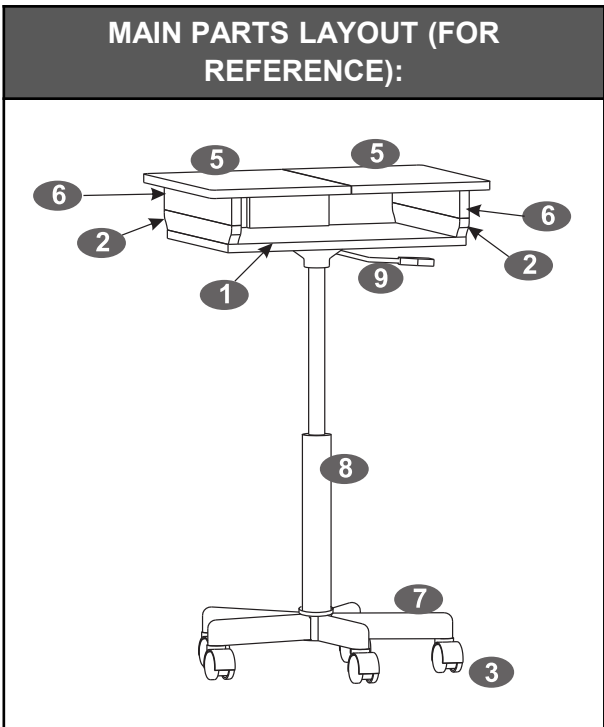




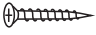


Scan QR to view the manual in Arabic

<p>Do a quick inventory of all the parts and hardware listed below.</p> 	<p>For Support, assembly questions & Replacement Parts within the 48 Contiguous United States:</p> <p>Please email us at: support@rtaproducts.com</p> 	<p>Replacement Parts for International Customers & AK-HI-PR orders: RTA Products will replace the part free of charge, while the customer is responsible for shipping costs plus any International local taxes or duties.</p>
---	---	---

MAIN PARTS LIST			
1 x1 Bottom panel 	2 x2 Lower side panel 	3 x5 Caster 	4 x1 Back panel 
5 x2 Top panel 	6 x2 Upper side panel 	7 x1 Metal star base 	8 x1 Pneumatic lift cylinder 
9 x1 Mechanism 	10 x4 Hinge 	11 x1 Base center cover 	

NOTE: Piece 11 usually comes pre-installed in the middle of base 7.



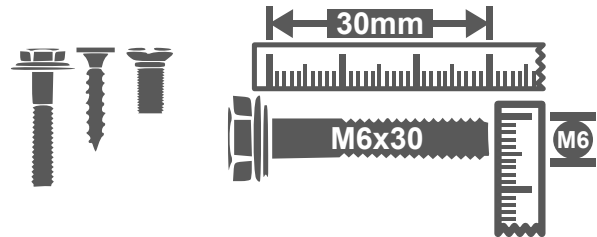
LIST OF CREWS AND INCLUDED TOOLS			
PART	QTY	ITEM	
A	8	M6x35	
B	6	M6x40 Bolt	
C	16	M3x20	
D	4	M6x12	
	1	Screwdriver	

BEFORE YOU START THE ASSEMBLY, PLEASE READ THE FOLLOWING TIPS AND WARNINGS.

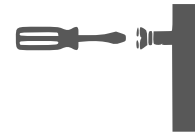
- Please read the assembly instructions thoroughly and follow step by step.



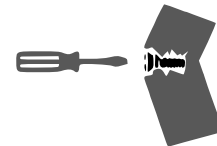
- Make sure you understand which hardware will be used on each step. Using the wrong size of screw, bolt or pin might strip the threads or cause damage to the part in which it is being used.



- To avoid misalignments, always leave the screws loosely and do not tighten them until all the pieces are positioned correctly.



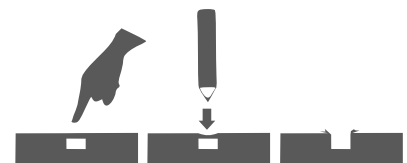
- Do not overtighten or force the screws as they might break, strip, damage the threads of the holes, or get stuck inside the parts.



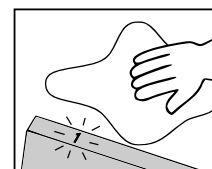
- If the hole seems too small for the screw, make sure you are using the correct size of screw and/or that you are installing it in the correct hole.



- Sometimes on the wood panels the laminate or material might be covering the hole partially or entirely, if there is no visible hole or if it looks too small, pass and press the tip of your finger over the area to feel its indentation, and carefully pierce the laminate to uncover the hole underneath.



- After the item is assembled, you can use rubbing alcohol to erase or remove the visible part numbers printed or labeled on the pieces.



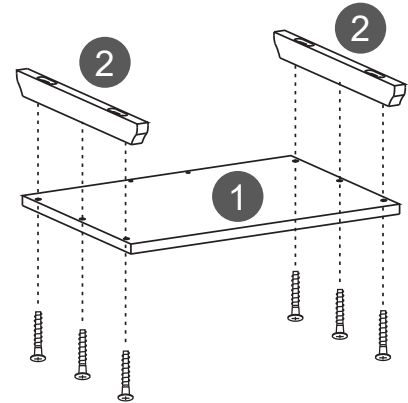
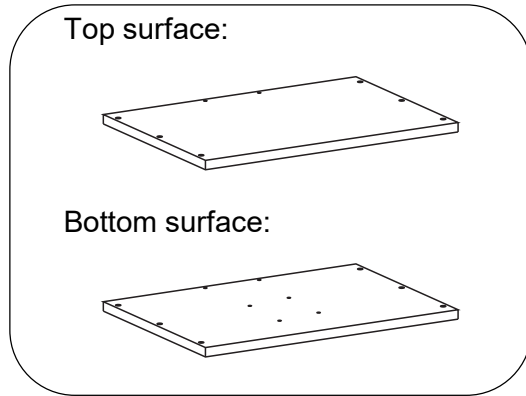
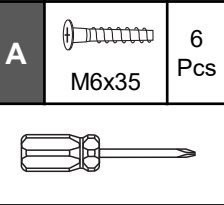
ASSEMBLY STEPS

WE RECOMMEND TO PLACE THE PIECES OVER BLANKETS TO PROTECT THEIR FINISH DURING ASSEMBLY.

STEP 1

Assemble the lower panels 2 to the top surface of the bottom panel 1 with screws **A** from underneath.

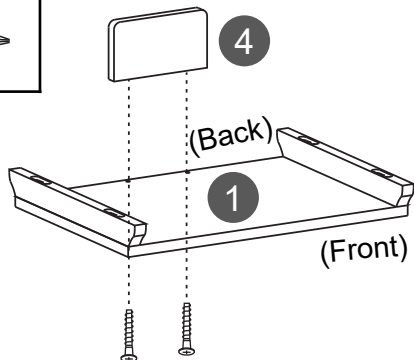
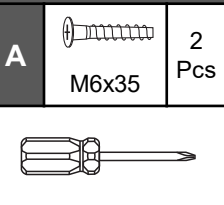
Hardware:



STEP 2

Assemble the back panel 4 to the bottom panel 1 with screws **A** from underneath.

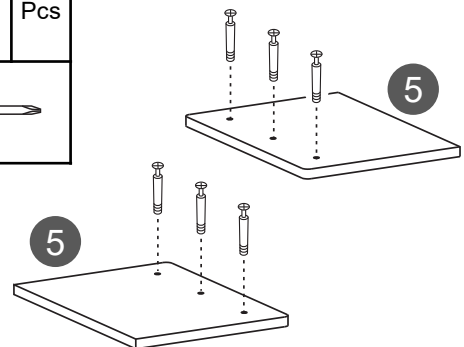
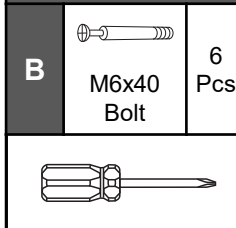
Hardware:



STEP 3

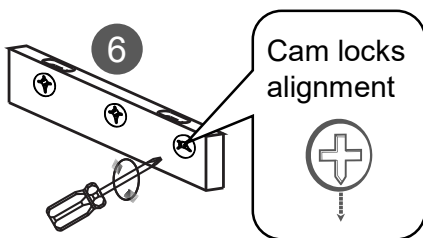
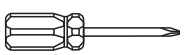
Attach the bolts **B** to the top panels 5.

Hardware:

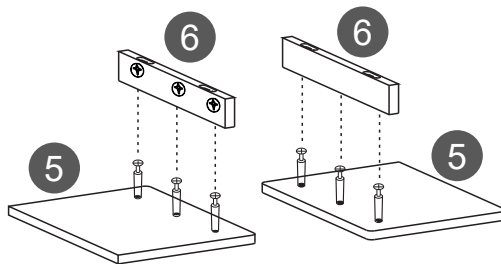


STEP 4

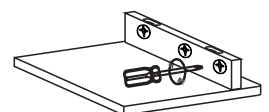
- On the upper side panels 6, check and make sure the cam locks are aligned to receive the bolts **B** from panels 5. If they are crooked, use the screwdriver to turn them and align them.
- Join panel 6 to panel 5 and then turn the cam locks to lock the parts.



1. Align cam locks



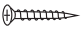
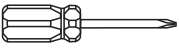
2. Join panels



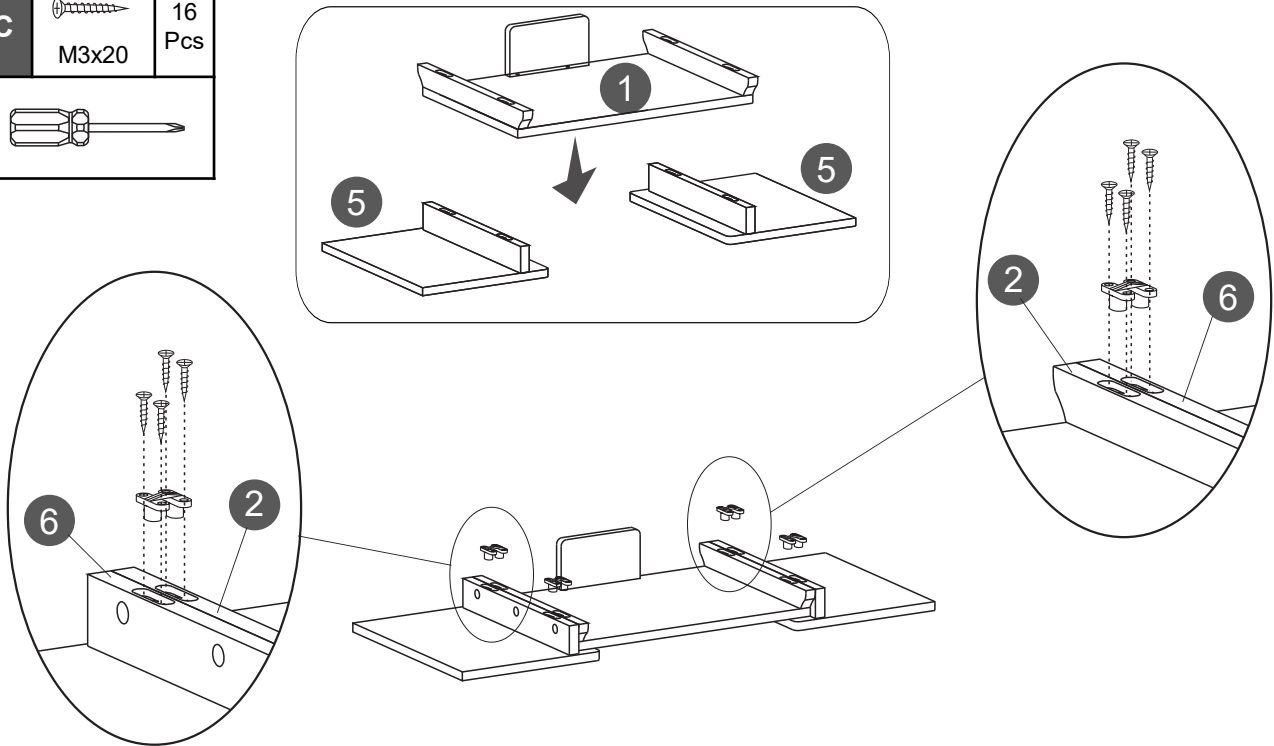
3. Turn cam locks

STEP 5

Hardware:


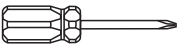
C		16
	M3x20	Pcs
		

Place the side panels **2** and **6** side-by-side as shown in the illustration, then attach the hinges **10** to these panels with screws **C**.

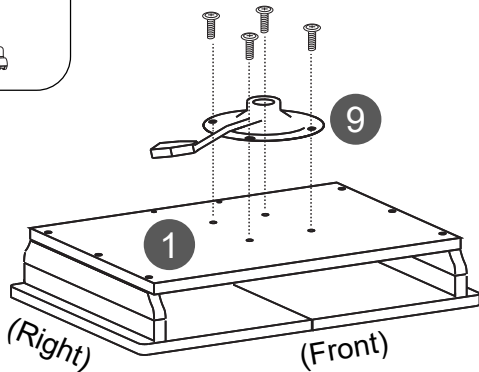
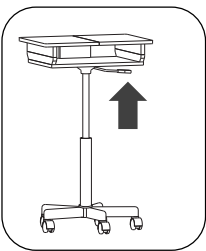


STEP 6

Hardware:

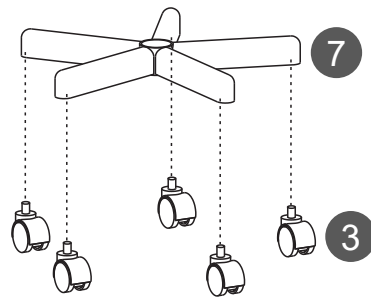
D		4
	M6x12	Pcs
		

Place the tabletop upside-down and attach the mechanism **9** to the bottom panel **1** with screws **D** making sure the handle faces towards the **RIGHT** of the unit.



STEP 7

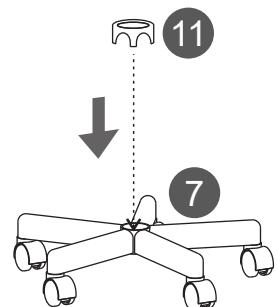
Insert the casters **3** into the holes of the base **7** using pressure.



STEP 8

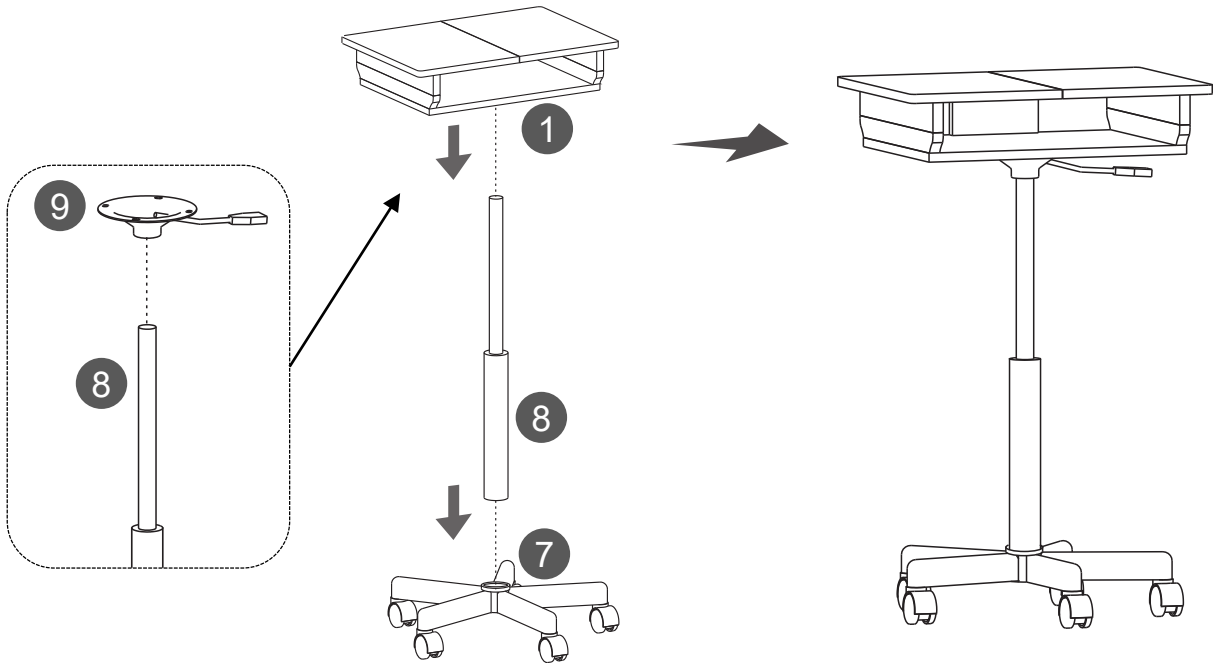
Attach the cap **11** to the middle of the base **7**.

NOTE: The cap **11** usually comes already inserted in the middle of the base **7**, you can skip this step if that is the case.



STEP 9

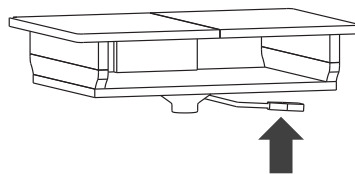
Insert the lift cylinder **8** in the middle of the base **7**, then place the tabletop so the lift cylinder **8** enter into hole of the mechanism **9**.



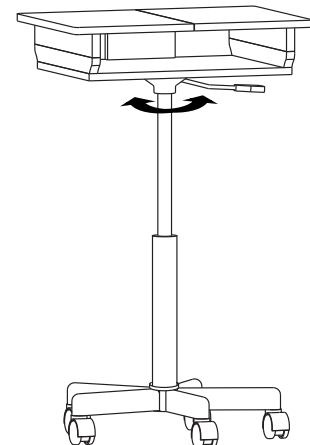
LIFT FUNCTION, NOTES

- The lift function on this unit is similar to that of office chairs. This means that just like a chair, the tabletop swivels (rotate) freely.
- To lift the unit just lift the handle UP. If it does not lift, keep the handle lifted and press down on the unit to help the cylinder decompress.
- To bring the unit down, lift the handle UP and at the same time apply force DOWN on the center of the tabletop

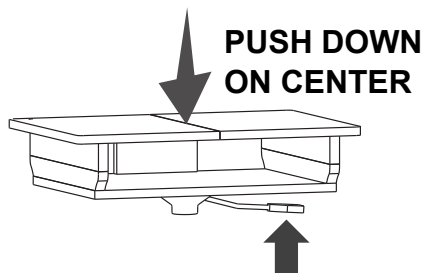
LIFT THE UNIT:
Lift handle UP



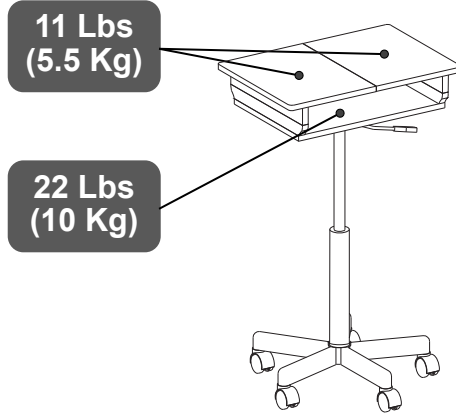
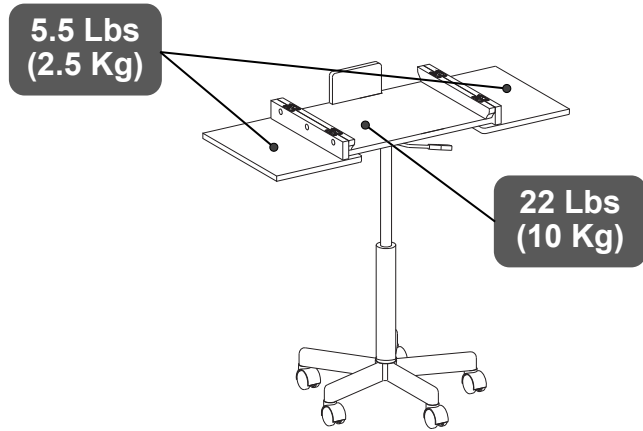
Tabletop rotates freely



LOWER THE UNIT:
Lift handle UP and at the same time push DOWN on the center of the tabletop with force.



PUSH DOWN ON CENTER

WEIGHT LIMITS**(CLOSED)****(OPEN)****WARNINGS**

- Do not exceed the indicated weight limits.
- Do not expose the surfaces to direct sunlight or to extreme environmental conditions.
- Do not use solvents or abrasive materials to clean the unit.
- Do not lean against the unit or use it as a stool or ladder.
- Do not allow small children to play with the unit.
- Always use good judgement when using the product and avoid sudden spins that might make objects or devices fall off the unit.
- Do not use if you notice that the hinges have become loose.
- The warranty does not extend to regular wear and tear, nor the manufacturer assumes liability for damages or consequences due to accidents, incorrect assembly, negligence, improper use, modifications, or not heeding the above warnings.

CARE AND MAINTENANCE

- Clean the surfaces preferable with a clean cloth damped in a solution of mild soap and water, then dry with a clean towel.
- If you decide to use a cleaning agent, test first on an area hidden from view such as underneath the tabletop.
- Every 4 months, inspect the unit completely and make sure that all screws are tighten.
- When transporting the unit to places far away, lower the unit to the lowest point or disassemble it partially, and protect and secure the unit to avoid damage in transit.