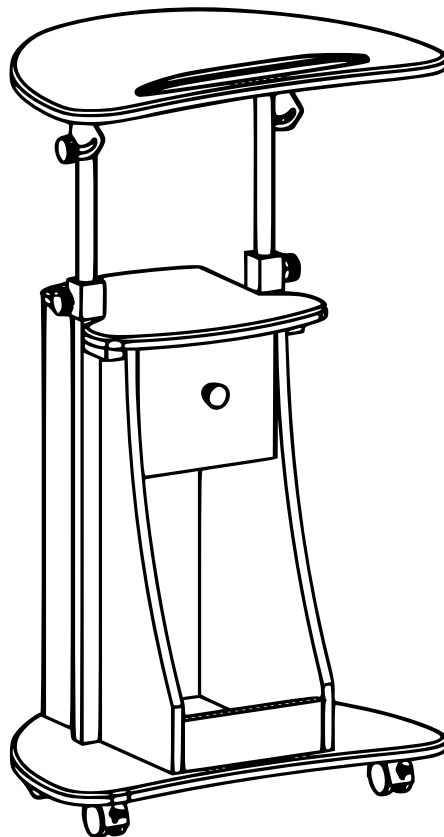


**SIT-TO-STAND ROLLING ADJUSTABLE  
LAPTOP CART WITH STORAGE**

**MODEL RTA-B005**

**ASSEMBLY INSTRUCTIONS**

Thank you for purchasing our product



Scan to view full  
assembly video

REV.OL-6941-0922



- Do not discard this manual or any of the packaging material until the unit has been completely assembled.



- Please read carefully the assembly instructions before the installation.



- Scan this QR code to view the complete assembly video online.



- For individual Step videos - please use the QR code found on the corresponding step within the manual.



- Please be kind to our planet, when done with the assembly, recycle any of the packaging materials that is accepted by your city or recycling service.



Thank you!



Do a quick inventory of all the parts and hardware listed below









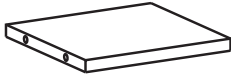
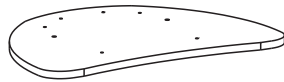

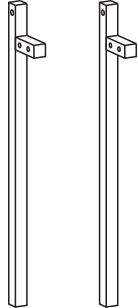
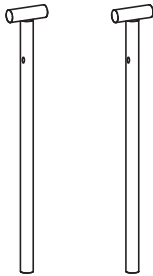

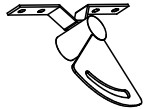

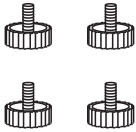

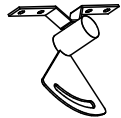


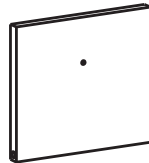

Missing, damaged and defective parts can be replaced at no cost to you. Please refer to the last pages on this manual.



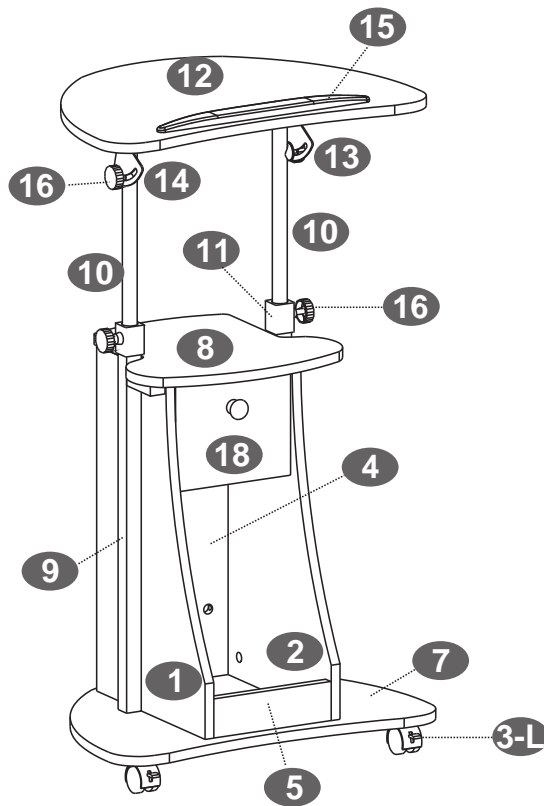
The replacement parts service is limited to the 48 contiguous United States. If you reside in AK, HI, PR, U.S. territories or other countries, please contact the supplier from where the unit was purchased.





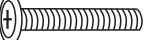
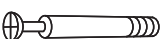

**MAIN PARTS LIST**


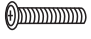



<p><b>1</b> Left side panel x1</p> 	<p><b>2</b> Right side panel x1</p> 	<p><b>3-L</b> Locking Casters x2</p>  <p><b>3-N</b> Non-Locking Casters x2</p> 	<p><b>4</b> Back panel x1</p> 
<p><b>5</b> Front bottom panel x1</p> 	<p><b>6</b> Middle lower shelf x1</p> 	<p><b>7</b> Bottom base panel x1</p> 	<p><b>8</b> Middle upper shelf x1</p> 
<p><b>9</b> Lateral support bar x2</p> 	<p><b>10</b> Lifting "T" tube x2</p> 	<p><b>11</b> Tightening plastic cover x2</p> 	<p><b>13</b> Right tilting mechanism x1</p> 
<p><b>15</b> Protection rail x1</p> 	<p><b>16</b> Tightening screw knob x4</p> 	<p><b>12</b> Main top panel x1</p> 	<p><b>14</b> Left tilting mechanism x1</p> 
<p><b>17-A</b> Magnet x1</p> 	<p><b>17-B</b> Small steel plate x1</p> 	<p><b>18</b> Shelf door x1</p> 	<p><b>19</b> Door handle x1</p> 

**MAIN PARTS LAYOUT (For reference)**



**HARDWARE LIST**

PART	QTY	SIZE	ITEM
A	16	M4x14	
B	3	M5x16	
C	6	M6x35	
D	20	M6x40 Bolt	
E	8	M6x12	

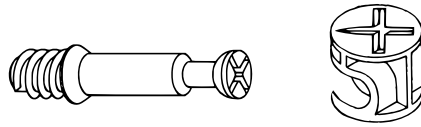
PART	QTY	SIZE	ITEM
F	4	M3x15	
G	1	M4x20	
H	2	Ø5x17	
I	2 Sets	Ø8x19 Curved connector Ø10x28 Plastic washer	 

**INCLUDED TOOLS**

1	Phillips Screwdriver	
---	----------------------	---

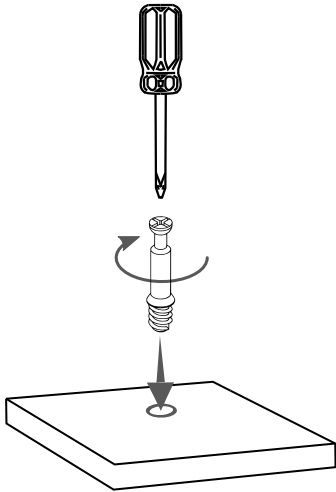
## CAM BOLT AND CAM LOCK TUTORIAL

**THE INSTRUCTIONS BELOW ARE NOT ACTUAL ASSEMBLY STEPS**



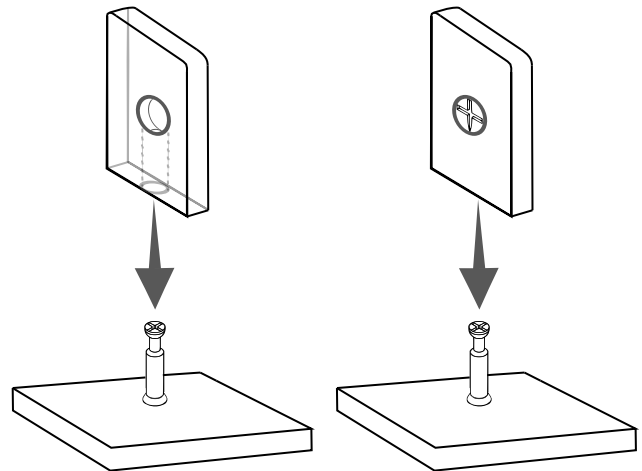
**This unit uses cam bolts and locks (also known as mini fixes). If you are not familiar with this kind of hardware, the below is a tutorial that explains how to use them on the steps where they are required.**

1. Screw the bolt into the indicated hole on the panel indicated in the assembly step.

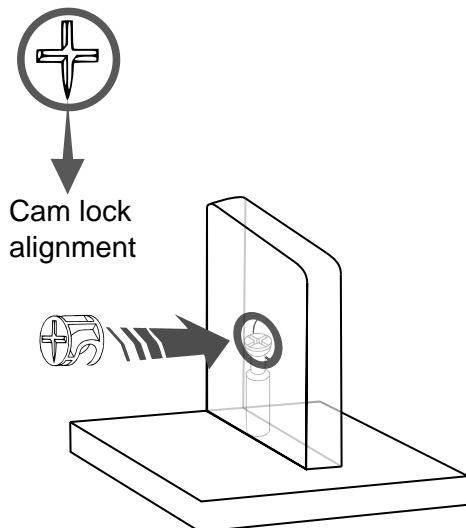


2. Join the other panel (with the big hole) to the panel with the bolt. If it comes with the cam locks already pre-installed, make sure to align them to receive the bolt's head (refer to point 3). There might be a very small gap between the panels which is normal.

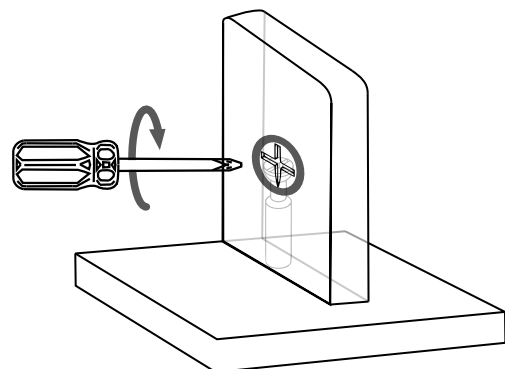
If the cam locks come pre-installed, make sure they are aligned (see point 3).



3. Insert the cam lock on the panel with the big hole making sure it goes aligned to receive the bolt's head.



4. Use a Phillips screwdriver to turn the cam lock clockwise. This will lock the panels together and also will close any gaps.



**BEFORE YOU START THE ASSEMBLY, PLEASE READ THE FOLLOWING TIPS AND WARNINGS.**

- Do not discard this manual or any of the packaging material until the unit has been completely assembled.



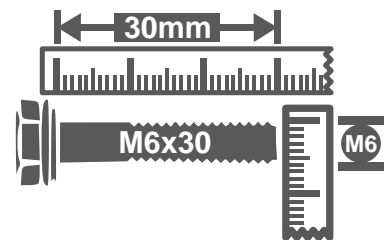
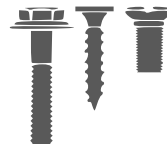
- If during assembly you find an issue or need clarification, please contact our Customer Service for assistance. Please refer to the last pages on this manual.



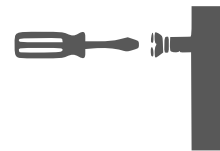
- On each step read the instructions thoroughly and analyze the illustrations before proceeding to do the assembly.
- Follow the instructions step by step and do not skip any unless our Customer Service advises it is OK to do so.



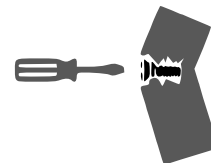
- Make sure you understand which hardware will be used on each step. Using the wrong size of screw, bolt or pin might strip the threads or cause damage to the part in which it is being used.



- To avoid misalignments, always leave the screws loose and tighten them until all pieces are positioned correctly.



- Do not overtighten or force the screws as they might break, strip, damage the threads of the holes or get stuck inside the part.



- If the hole seems too small for the screw, make sure you are using the correct size of screw and/or that you are installing it in the correct hole.




- Sometimes on the panels the laminate or material might be covering the hole partially or entirely. If there is no visible hole or it seems too small, pass and press the tip of your finger over the area where the hole should be located to feel its indentation, and once found, carefully pierce the laminate to uncover the hole underneath.



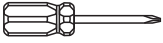
ASSEMBLY STEPS

STEP 1

Hardware

F		4
	M3x15	Pcs

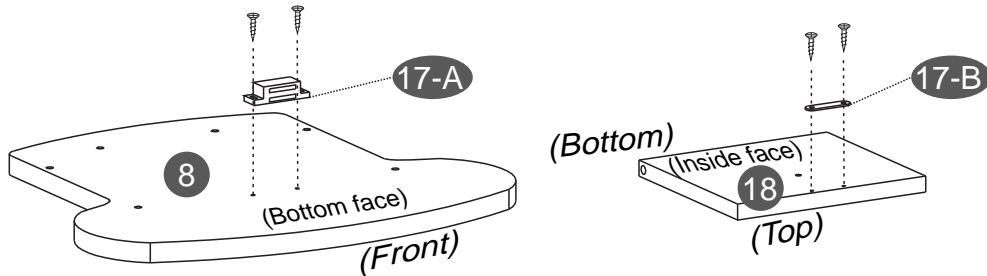
Tools (included)



Scan QR to view step

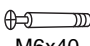


- Attach the magnet **17-A** to the bottom surface of the middle upper shelf **8** with screws **F**.
- Attach the small steel plate **17-B** to the inside surface of the shelf door **18** with screws **F**.



STEP 2

Hardware

D		4
	M6x40	Pcs

Tools (included)

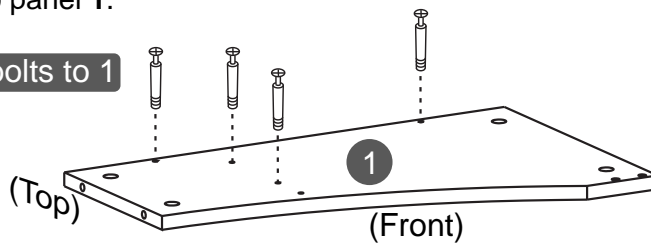


Scan QR to view step

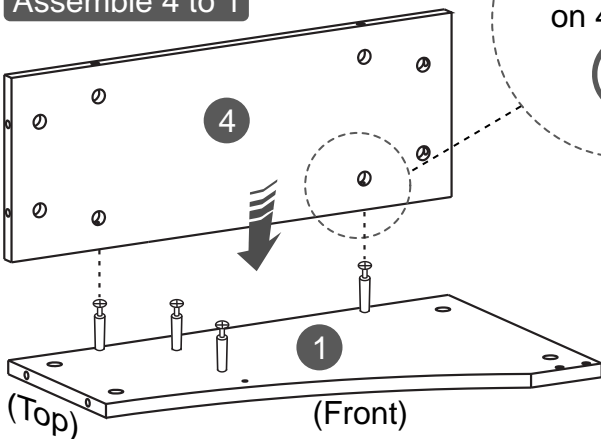


- Screw the bolts **D** into panel **1**.
- Join panel **4** to panel **1** and turn the cam locks as explained in page **4**.
- Assemble panel **6** to panel **1** in the same way making sure the surface with the cam locks towards the **BOTTOM**.
- Join panel **5** to panel **1**.

Attach bolts to 1



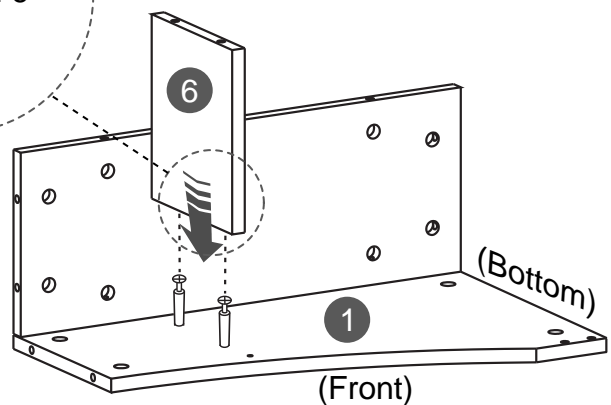
Assemble 4 to 1



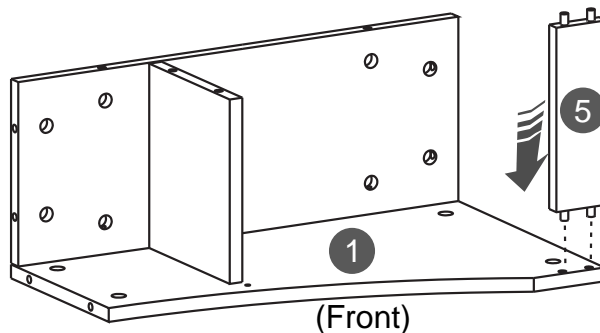
Cam locks alignment on 4 and 6



Assemble 6 to 1



Attach 5 to 1

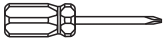


**STEP 3**

**Hardware**

H	 Double sided pin	1 Pcs
---	---	-------

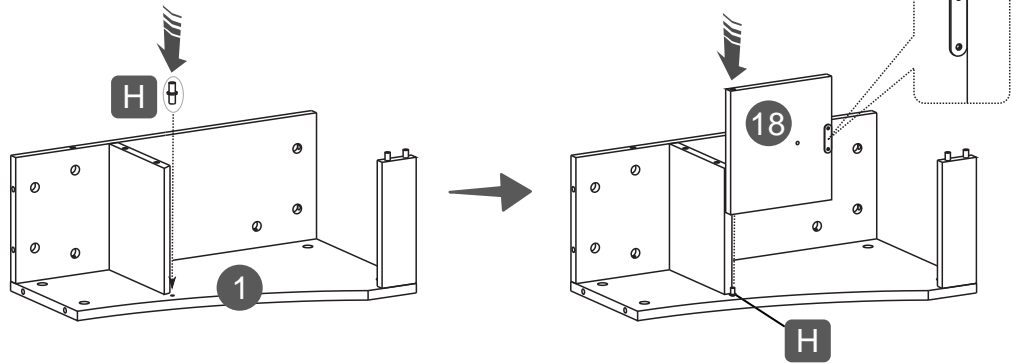
**Tools (included)**



Scan QR to view step




- Insert the metal pin **H** into the corresponding hole on panel **1**.
- Attach the door panel **18** to the pin **H**, making sure the metal plate is visible as shown.



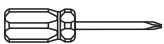
**STEP 4**

**Hardware**

D	 M6x40 Bolt	4 Pcs
---	---	-------

H	 Double sided pin	1 Pcs
---	--	-------

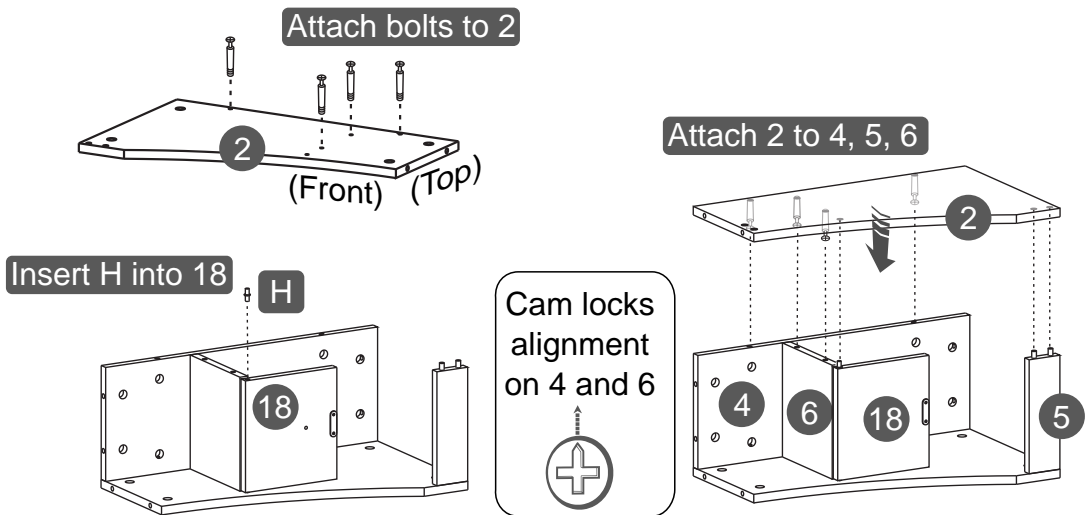
**Tools (included)**



Scan QR to view step



- Attach the bolts **D** to the right side panel **2** into the indicated holes.
- Insert the metal pin **H** into the door **18**.
- Assemble panel **2** to panels **4**, **5**, **6** and **18** as shown and as explained in page 4.

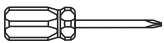


**STEP 5**

**Hardware**

A	 M4x14	16 Pcs
---	--	--------

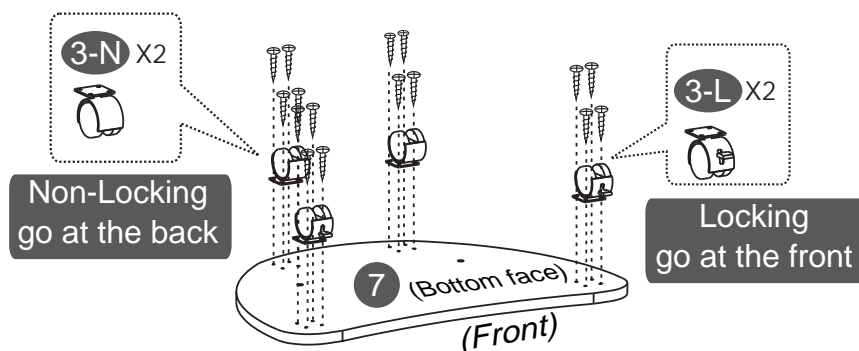
**Tools (included)**



Scan QR to view step



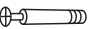
- Use screws **A** to assemble the casters **3** to the bottom surface of the bottom base panel **7** in the following positions:
- The Locking casters **3-L** go at the front of the panel.
- The Non-locking casters **3-N** go at the back of the panel.





## STEP 6

## Hardware

**D**  6  
M6x40 Pcs

## Tools (included)

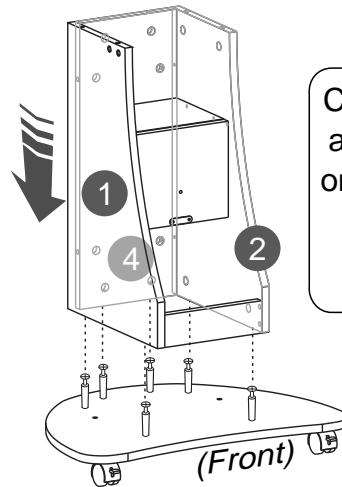
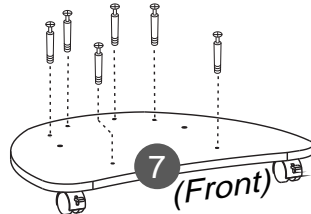


Scan QR to view step



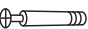
- Screw the bolts **D** into the indicated holes on the top surface of panel **7**.
- Join the main frame to the base and lock the pieces together by turning the cam locks on panels **1**, **2** and **4** as shown and as explained in page **4**.

## Attach bolts to 7

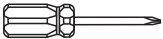


## STEP 7

## Hardware

**D**  6  
M6x40 Pcs

## Tools (included)

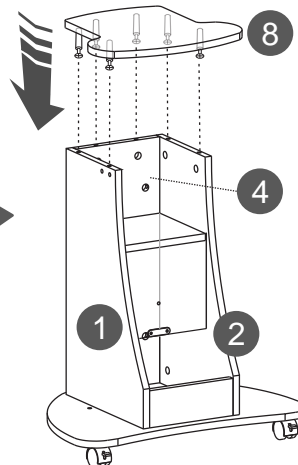
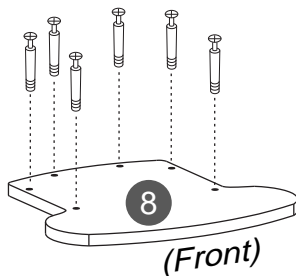


Scan QR to view step



- Screw the bolts **D** to the middle upper shelf **8**.
- Assemble the shelf **8** to panels **1**, **2** and **4** as explained in page **4**.

## Attach bolts to 8



## STEP 8

## Hardware

**C**  6  
M6x35 Pcs

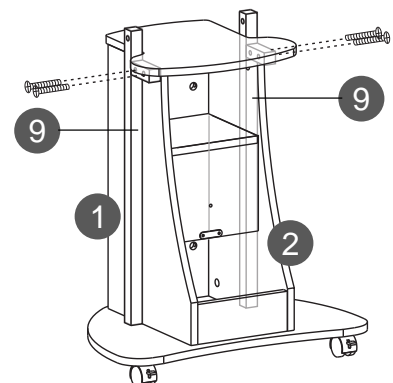
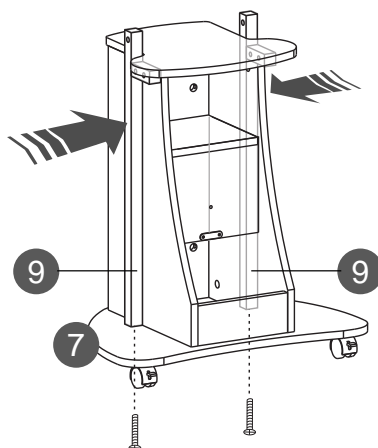
## Tools (included)



Scan QR to view step





- Assemble the lateral support bars **9** to the base panel **7** with screws **C** from underneath. The screws go through the base panel and into the bars.
- Assemble the bars **9** to the side panels **1** and **2** with screws **C** from the side. The screws go through the bars and into the side panels.



**STEP 9**

**Hardware**

I		2 Sets
		

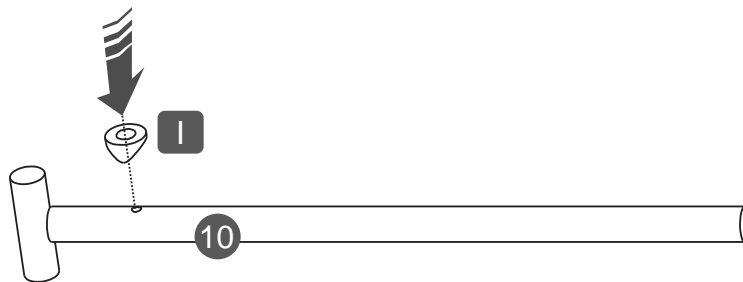
Scan QR to view step



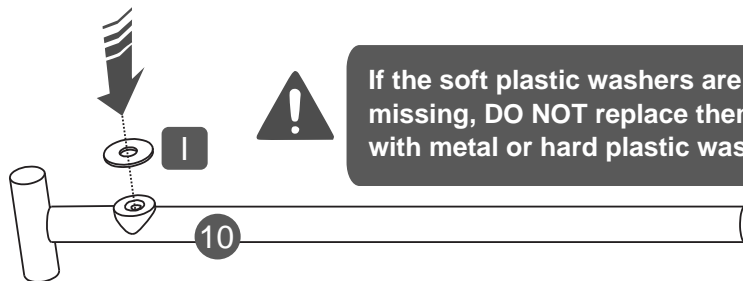
**EXTREMELY IMPORTANT!**  
Follow this step **EXACTLY** as instructed! An incorrect assembly leaves the tilting mechanism and main panel prone to moving or sliding, and even might flip down forwards unexpectedly under any weight.

- Place the curved connectors **I** over the threaded holes of the lifting tubes **10**.
  - Place the washer **I** over the connector **I**.
  - Connect the right tilting mechanism **13** to the tube **10**.
  - Insert and screw the screw knob **16** into the tube **10**. The screw knob goes through the mechanism **13**, the washer **I**, the connector **I** and into the tube **10**.
  - Repeat the procedure for the left tilting mechanism **14**.
- ⚠ THE SOFT PLASTIC WASHER MUST GO IN BETWEEN THE CONNECTOR AND THE MECHANISM, AS ITS PURPOSE IS TO CREATE THE NECESSARY FRICTION THAT KEEPS THE MECHANISM FIRM WITHOUT MOVING.
- ⚠ DO NOT PLACE THE WASHER OVER THE MECHANISM, IT MUST GO UNDER IT.
- ⚠ IF THE SOFT PLASTIC WASHER IS MISSING, DO NOT REPLACE IT WITH ANY OTHER KIND; DO NOT USE METAL OR HARD PLASTIC WASHERS.

Place Connector **I** over tube **10**

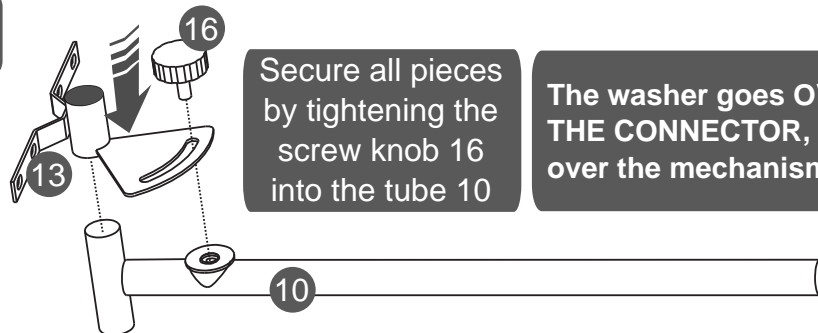


Place Washer **I** over connector **I**



Connect mechanism **13** to tube **10**

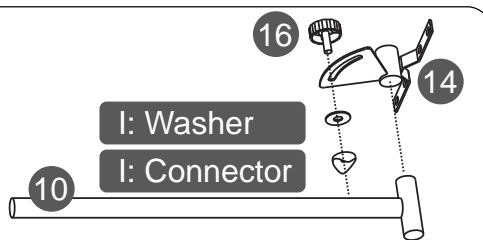
Tilting direction



Secure all pieces by tightening the screw knob **16** into the tube **10**

The washer goes **OVER THE CONNECTOR**, NOT over the mechanism.

**REPEAT THE PROCEDURE FOR MECHANISM 14**



## STEP 10

## Hardware

E

M6x12

8 Pcs

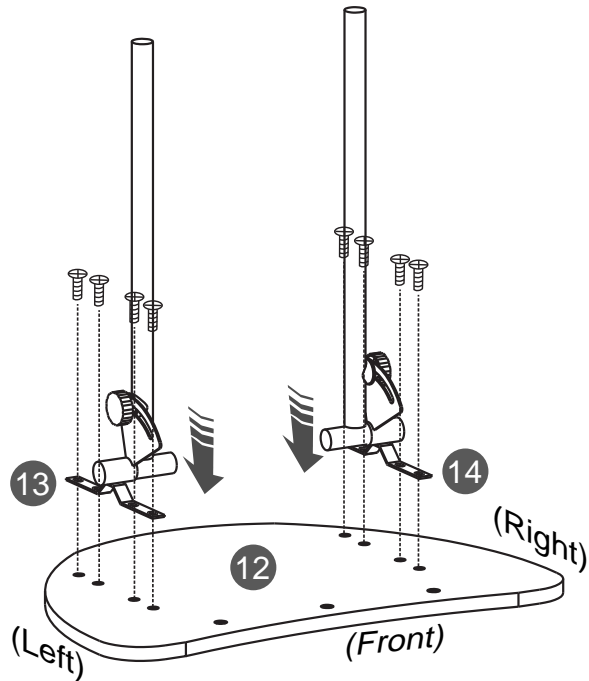
## Tools (included)



Scan QR to view step



- Assemble the tilting mechanisms **13** and **14** to the main panel **12** in their respective sides with screws **E**.

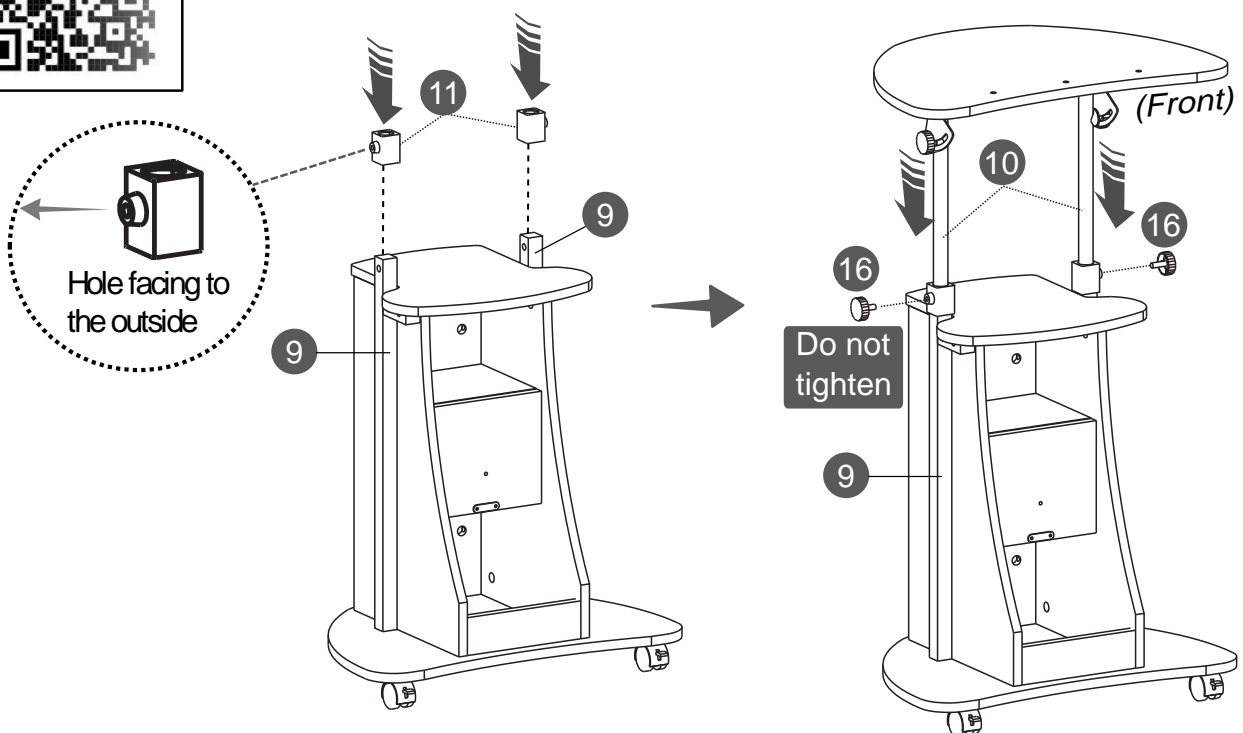


## STEP 11

Scan QR to view step



- Place the plastic covers **11** over the lateral bars **9** with their threaded holes facing towards the outside.
- Slide the lifting tubes **10** through the plastic covers **11** and into the bars **9**. Insert the screw knobs **16** into the plastic covers **11**, but do not tighten yet.



## STEP 12

## Hardware

B	 M5x16	3 Pcs
---	---	----------

## Tools (included)

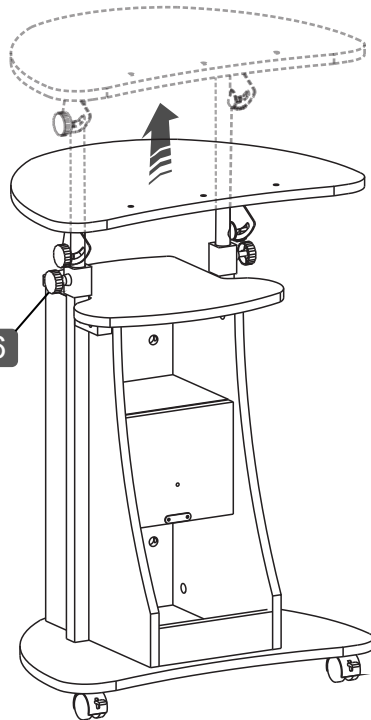


Scan QR to view step

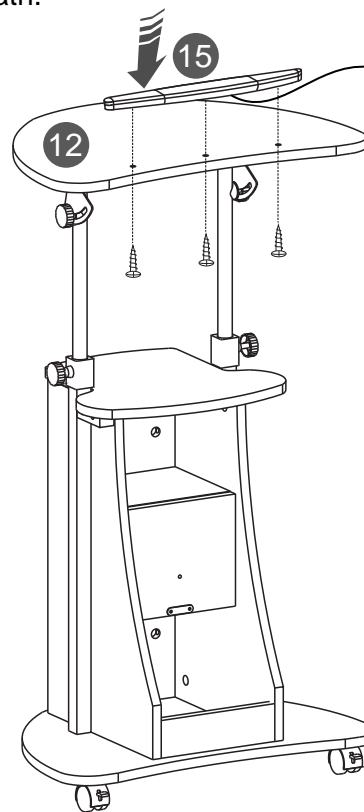


- Lift the main panel **12** about **6 inches** and tighten the screw knobs **16**.
- Assemble the protection rail **15** to the main panel **12** with its curvature towards the front with screws **B** from underneath.

Lift 12



Tighten 16



Curvature towards the front

## STEP 13

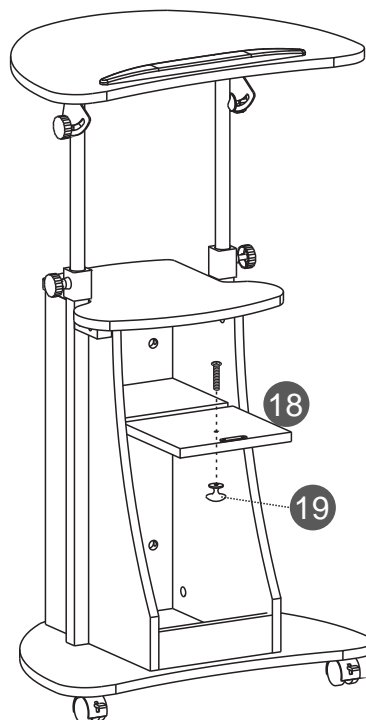
## Hardware

G	 M4x20	1 Pc
---	---	---------

## Tools (included)



Scan QR to view step

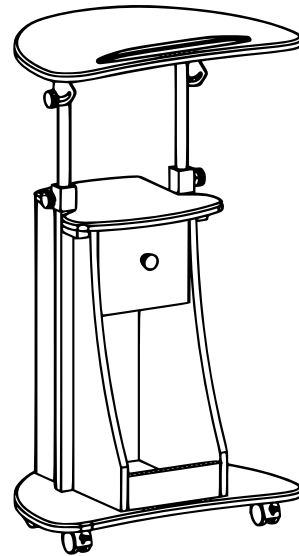
Assemble the handle **19** to the door **18** with screw **G**.



## ALL DONE!

Give yourself a nice pat on the back, you did a great job!

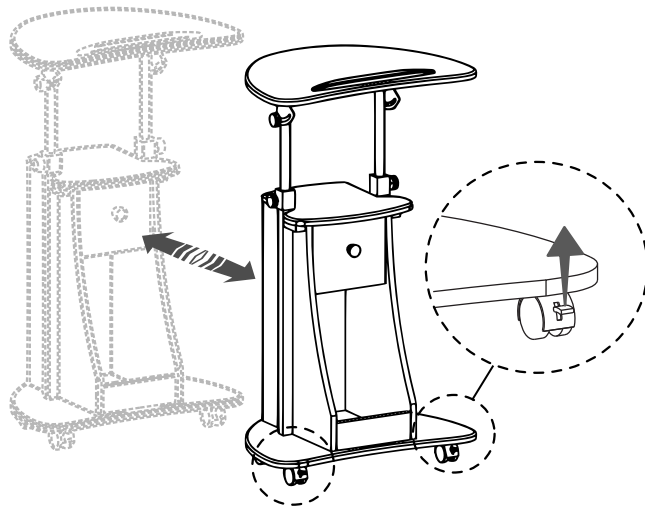
ENJOY YOUR NEW UNIT!



### FUNCTIONS / ADJUSTMENTS

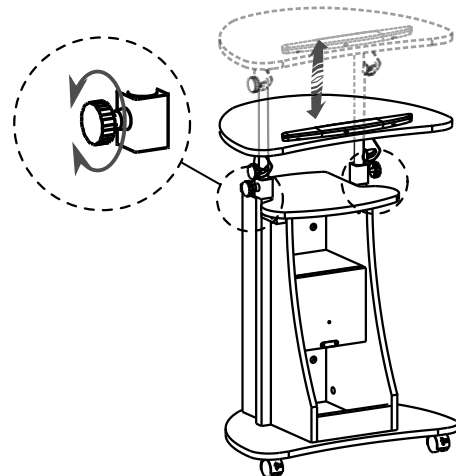
#### ROLLING:

Unlock the front casters to allow free movement.



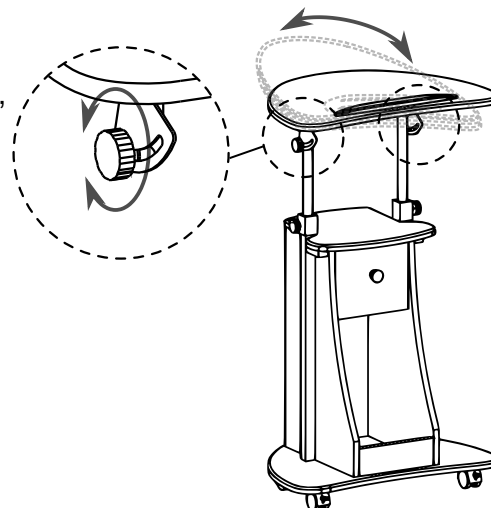
#### LIFTING:

Loosen the screw knobs to lift, then tighten again.



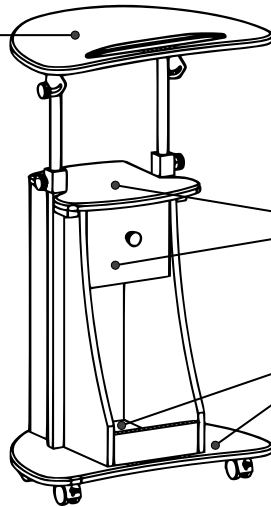
#### TILTING:

Loosen the screw knobs to tilt, then tighten again.



## WEIGHT LIMITS

20 Lbs  
(9.1 Kg)



20 Lbs  
(9.1 Kg)

20 Lbs  
(9.1 Kg)

## WARNINGS

- Do not exceed the indicated weight limits.
- Do not expose the surfaces to direct sunlight or to extreme environmental conditions.
- Do not use solvents or abrasive materials to clean the unit.
- Do not climb on the base of the unit.
- Do not allow small children to play with the unit.
- Before moving the unit, unlock the front casters and make sure to secure or remove any object on it that might fall off.
- Do not overtighten the screw knobs.
- Make sure that the tilting mechanisms are properly assembled as instructed in page 9 step 9. An incorrect assembly leaves the tilting mechanism unsecured, and the main top panel will not hold enough weight on it and even might flip down forwards unexpectedly.
- If you have objects or devices on or under the main panel, use caution when adjusting the height or tilting angle.
- It is recommended to first tilt the main panel, then place the objects or devices, but pay attention to if they will be properly retained by the protection rail. If the object or device seems that might tip over, reduce the tilting angle.
- Do not use the unit if the plastic covers or screw knobs look cracked or if they are stripped.

## CARE AND MAINTENANCE

- Clean the surfaces preferable with a clean cloth damped in a solution of mild soap and water, then dry with a clean towel.
- If you decide to use a cleaning agent, test first on an area hidden from view such as underneath the tabletop.
- Every 4 months, inspect the unit completely and make sure that all screws are tighten.
- When transporting the unit to places far away, protect and secure the unit to avoid damage in transit.
- Shall any part of the unit become defective during the warranty period, replacement parts might be available to you at no charge. Please refer to the last pages on this manual.
- The warranty does not extend to regular wear and tear, nor the manufacturer assumes liability for damages or consequences due to accidents, incorrect assembly, negligence, improper use, modifications, or not heeding the above warnings.

**TECHNI MOBILI WARRANTY****DESKS/LAPTOP CARTS/FILE CABINETS: LIMITED 5-YEAR WARRANTY**

RTA Products, LLC warrants to the Original Purchaser who acquired a new product from RTA Products or its authorized resellers that this product will be free from defects in its workmanship and materials, under normal use and service conditions, as described herein. "Defects" as used in this warranty, is defined as any imperfections that impair the use of the furniture or product. RTA Products LLC will replace any defective part, at its discretion, and without charge to the original purchaser other than the freight from the end consumer to RTA Products.

Replacement parts can only be supplied if parts are available. Items out of production may be unavailable. This warranty will be effective for the applicable time period beginning the date of purchase on your original sales receipt. RTA product's obligation under this warranty is limited to repairing or replacing products or parts as provided herein. This product has been designed for and is intended for office and home-office use only. This warranty is Original Purchaser's sole remedy for product defects, and this warranty does not extend to any product, or damage to any product, caused by or attributed to abuse or misuse, products used for commercial or rental purposes, use modifications of, or attachments to the product, and products or parts not used, maintained, or extended hereunder is in lieu of any and all other warranties, express or implied, including without limitations any implied warranty or merchantability or of fitness for a particular purpose. Please note, all desks made with PVC Laminate surface should not be exposed to direct sunlight, as it may damage the material. Damage of this nature is not covered under this warranty.

RTA Products will not be responsible for indirect, special, incidental or consequential damages. This warranty is limited to merchandise purchased in the Continental United States, excludes AK, HI and PR. Some States do not allow the exclusion or limitation of incidental or consequential damages, so the above limitations or exclusions may not apply to you. This warranty gives you specific legal rights. You may also have other rights that may vary from state to state.

RTA Products will advise you of the procedure to follow in making warranty claims. The following are the procedures for warranty claims:

- a. Call us Monday – Friday, from 9am-5pm (Eastern Time) at (866) 782-5520 to explain the defect and give your name, address and phone number. Please have ready the model number of our product, date and place of purchase. You can also write to us by e-mail to [warranty@rtaproducts.com](mailto:warranty@rtaproducts.com) and include the same information.
- b. If we determine that replacement will remedy the situation, and in order to determine the extent or the cause of the defect, purchaser will need to send the part in question at purchaser's expense. Once we receive the part, we will examine it and determine whether the claim is valid (or not), and then proceed to send the replacement. We will ship the replacement at our expense.

# FOR SEVERAL HELP OPTIONS INCLUDING REPLACEMENT PARTS ORDERS

---

VISIT: [WWW.TECHNIMOBILI.COM](http://WWW.TECHNIMOBILI.COM)

 AND CLICK ON SUPPORT TAB

Or scan the following QR Code:



Scan the following QR Code to order replacement parts:



EMAIL US:

[support@rtaproducts.com](mailto:support@rtaproducts.com)

