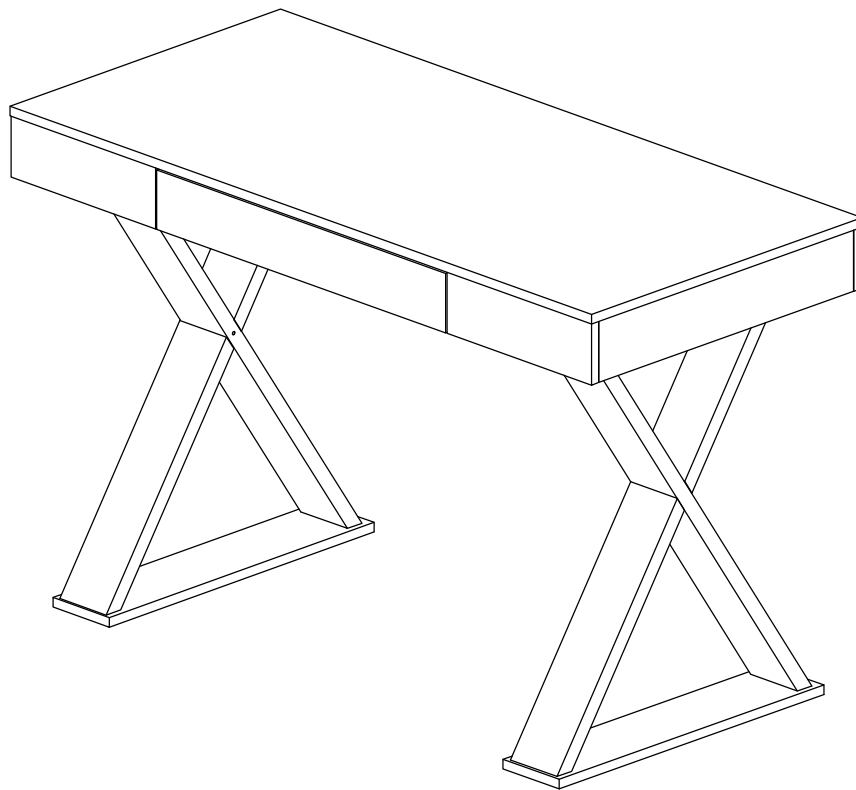



# MODEL RTA-8406

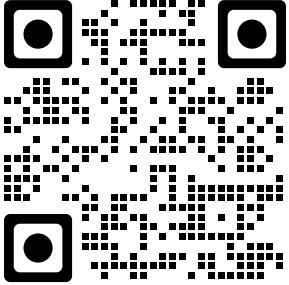
## ASSEMBLY INSTRUCTIONS

(REV.2-FP-9160-0925)



Thank you for purchasing our product!

 **View Assembly Video**



 **Ver el Manual en Español**



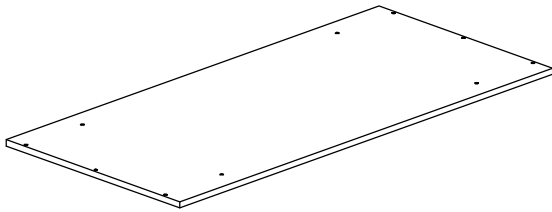
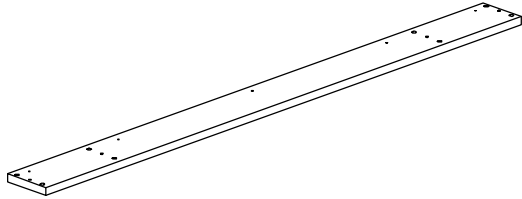
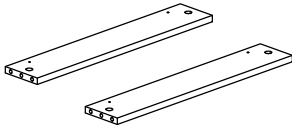
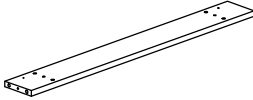
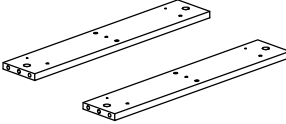
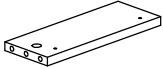

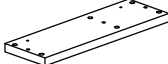
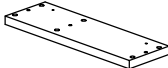
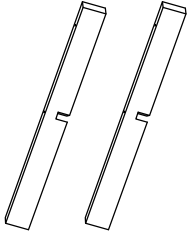
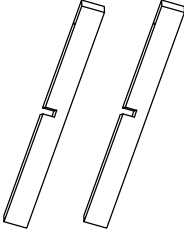
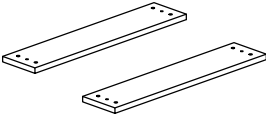
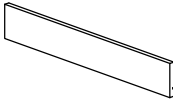
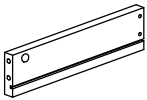
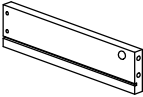

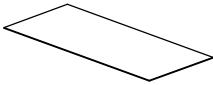
 **Visit our Website**



 **Contact Us**



## MAIN PARTS LIST

<b>A</b> Tabletop 		<b>B</b> Back 	
<b>C</b> Sides (Exterior) <span>x2</span> 	<b>D</b> Middle (Partition) 	<b>E</b> Sides (Interior) <span>x2</span> 	<b>F</b> Left Support 
<b>G</b> Right Support 	<b>H</b> Left Front 	<b>I</b> Right Front 	<b>J</b> Cross Legs (Ext) <span>x2</span> 
<b>K</b> Cross Legs (Int) <span>x2</span> 	<b>L</b> Legs bases <span>x2</span> 	<b>M</b> Drawer Front 	<b>N</b> Drawer Left 
<b>O</b> Drawer Right 	<b>P</b> Drawer Back 	<b>Q</b> Drawer Bottom Board 	



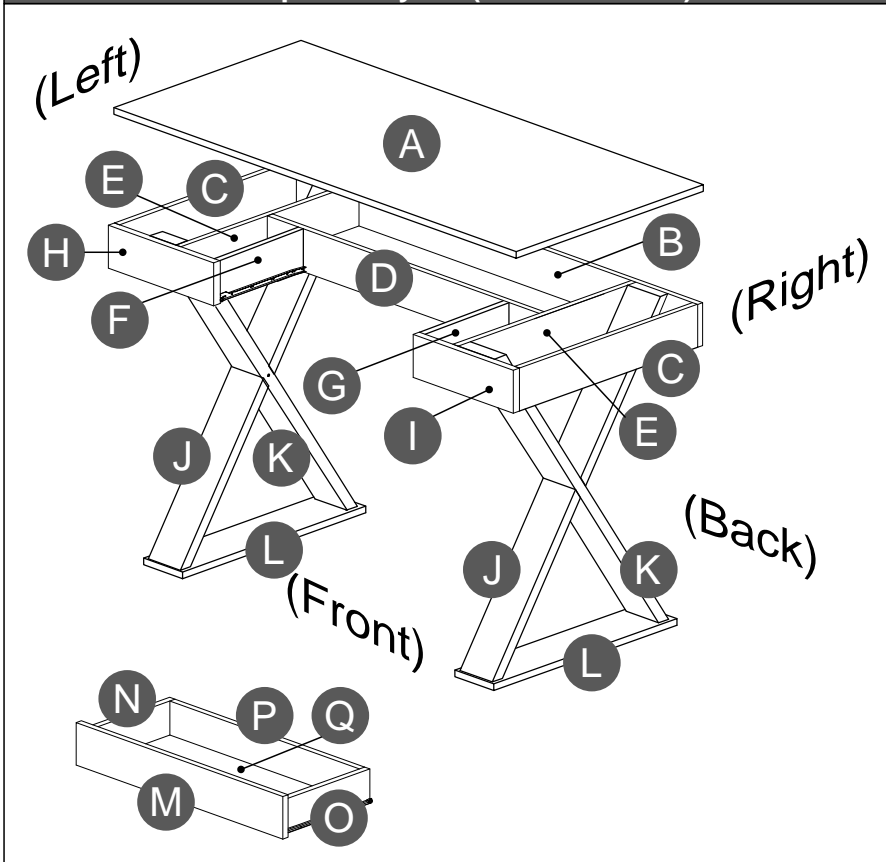
**For Support, Assembly Questions & Replacement Parts Within the 48 Contiguous United States:**

Please email us at: [support@rtaproducts.com](mailto:support@rtaproducts.com)



Replacement Parts for International Customers & **AK-HI-PR** orders:  
 RTA Products will replace the part free of charge, while **the customer is responsible for shipping costs plus any International local taxes or duties.**

Main parts Layout (For Reference)



Hardware

No.	Item	Qty.	No.	Item	Qty.
1	Dowels	48 Pcs	6	5x38mmx14	12 Pcs
2	Bolt +  Cam Lock	12 Sets	7	Cam lock Caps	2 Pcs
3	5x8mm	4 Pcs	8	Glides	8 Pcs
4	3.5x15mm	50 Pcs	9	4x65mm	2 Pcs
5	4x38mm	4 Pcs	10	Bracket	23 Pcs
			11	Screw Caps	2 Pcs
12	Drawer Sliders, Set of 4 pcs.				1 Set

Tools required (Not included)

Phillips Screwdriver		
Hammer or mallet	Or:	



Bolt

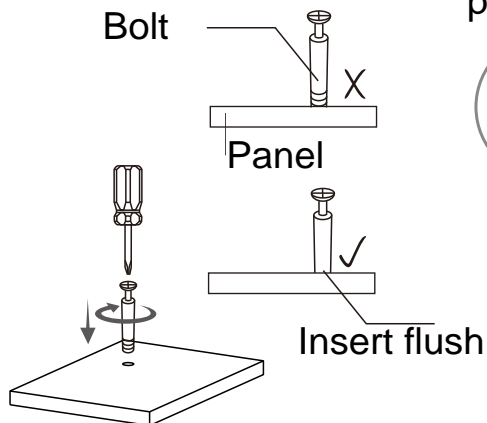


Cam lock

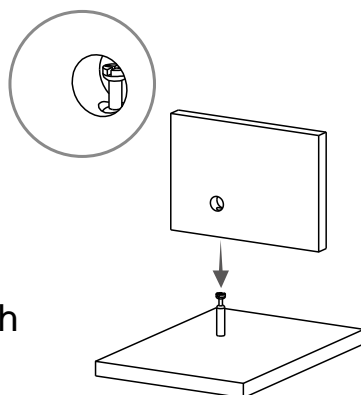
In some of the assembly steps you will use bolts and cam locks (also known as mini-fix). If you are not familiar with this kind of hardware, the below is a tutorial that explains how to use them.

The instructions below are **ONLY A TUTORIAL** for bolts and cam locks. The actual assembly starts on the next page.

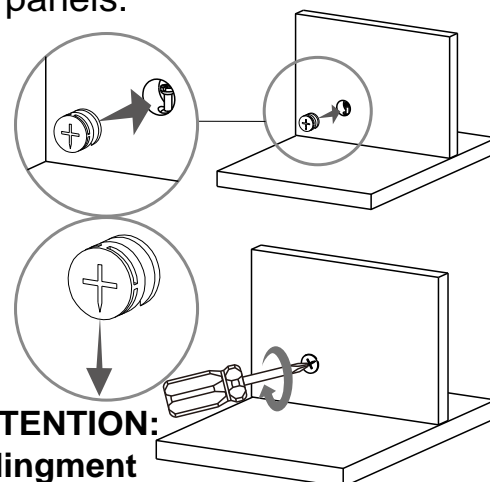
1. Install the bolt into the first panel.



2. Join the second panel by inserting it into the bolt of the first panel.



3. Insert the cam lock and turn it to lock both panels.


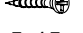
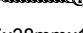
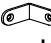


ASSEMBLY STEPS

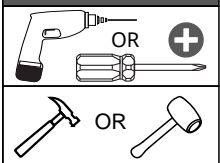
WE RECOMMEND TO PLACE THE PIECES OVER BLANKETS OR TABLECLOTHS TO PROTECT THEIR FINISH DURING ASSEMBLY.

STEP 1

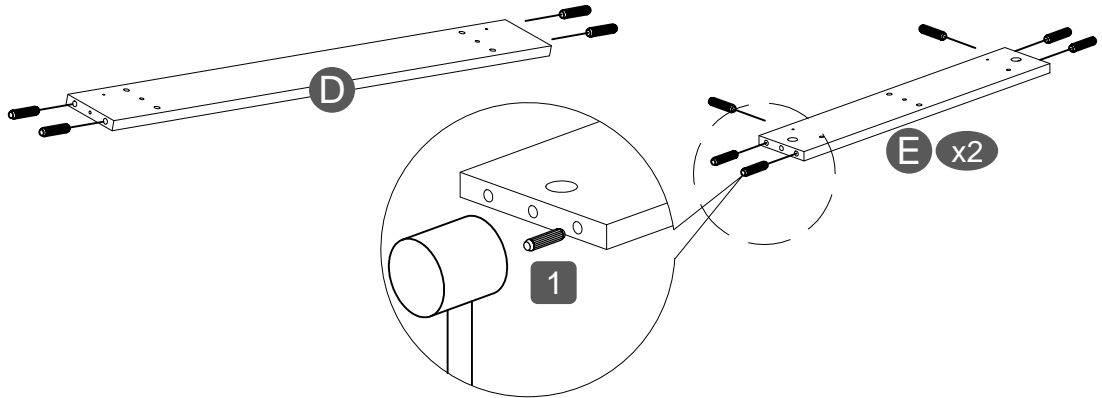
Hardware

1		16
	Dowels	Pcs
4		6
	3.5x15mm	Pcs
6		2
	5x38mmx14	Pcs
10		6
	Bracket	Pcs

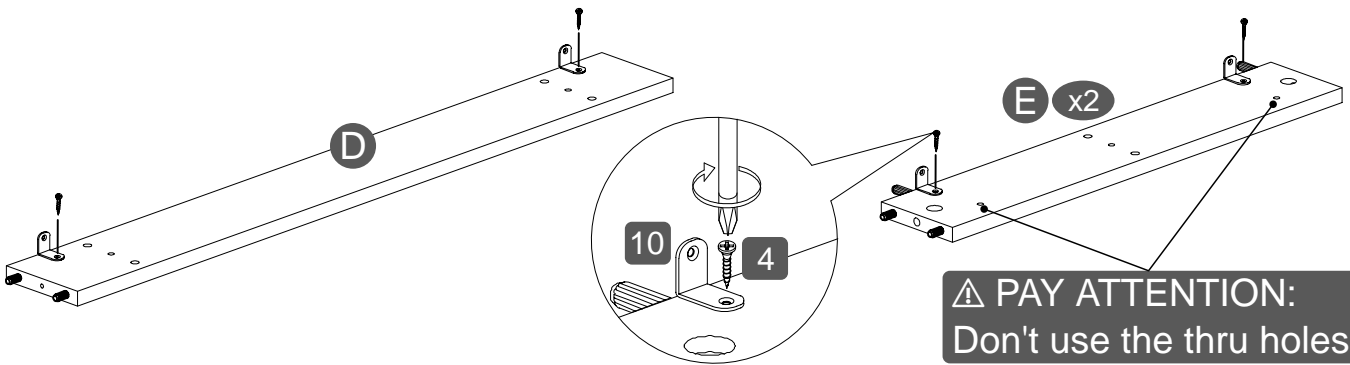
Tools (Not included)



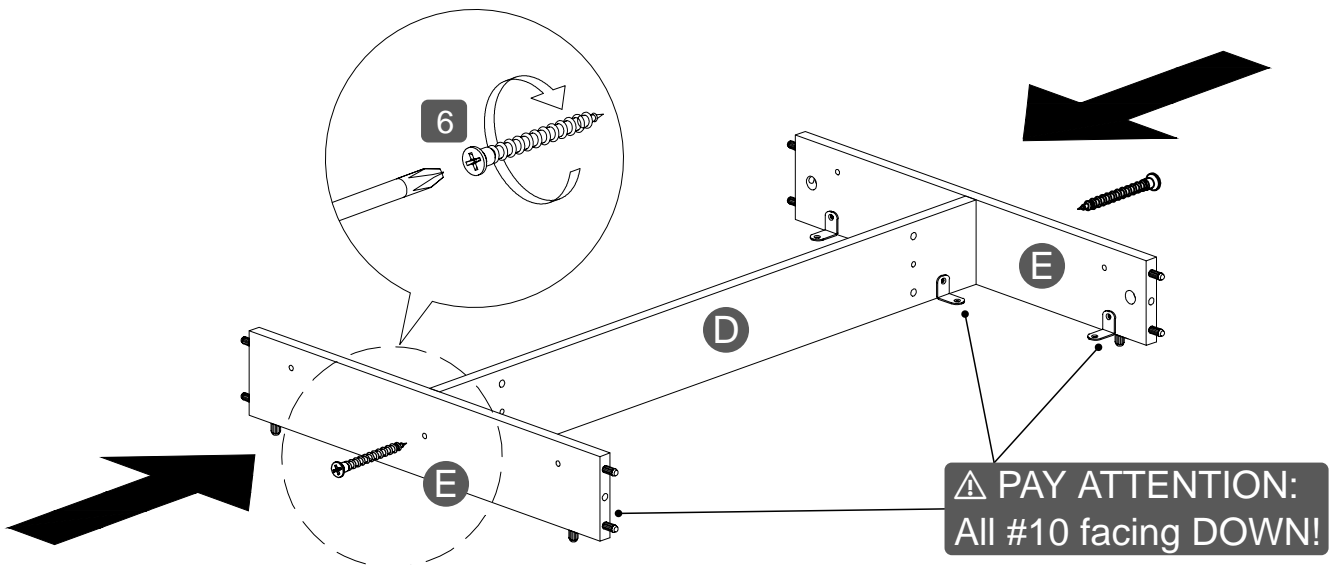
FIRST: Install #1 into the indicated holes on D and E.



THEN: Install #10 with #4 at the indicated edges on D and E.



LAST: Attach E to D with #6.

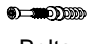





ASSEMBLY STEPS

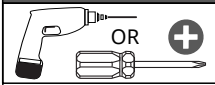
STEP 2

Hardware

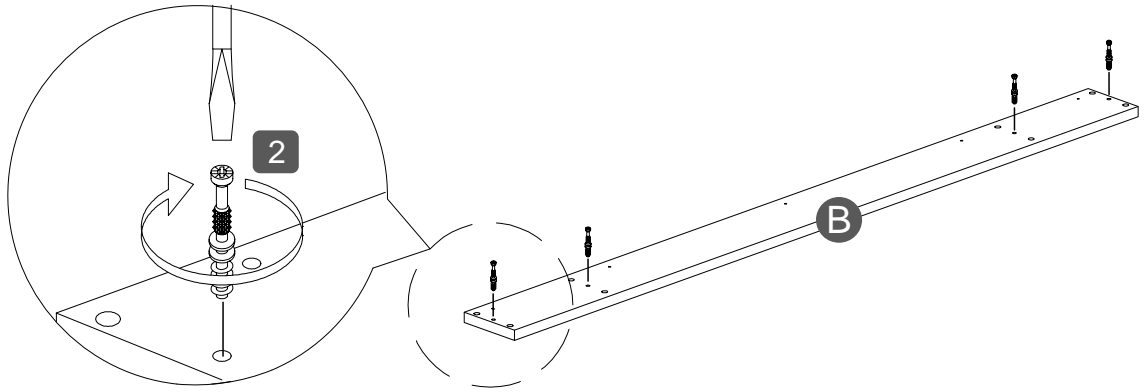
This step requires of 2 persons 

2		4
	Bolts	Pcs
2		2
	Cam Lock	Pcs
4		5
	3.5x15mm	Pcs
10		5
	Bracket	Pcs

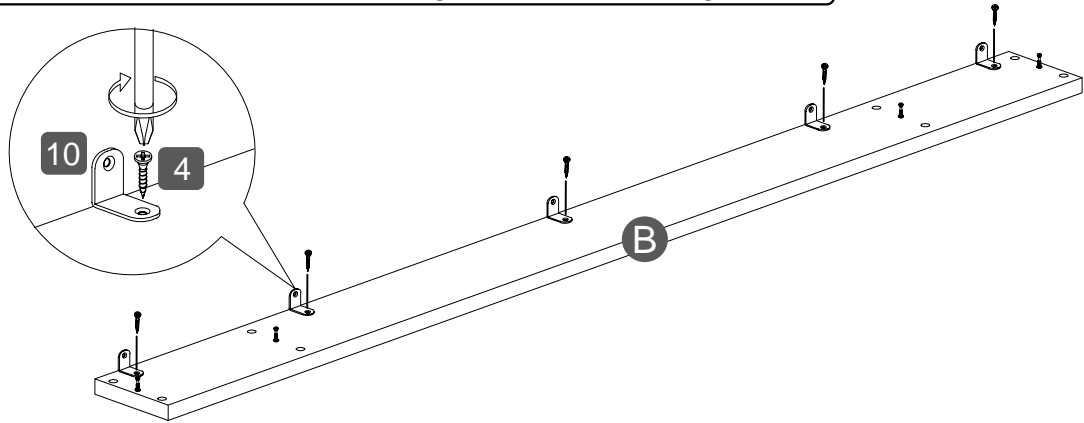
Tools (Not included)



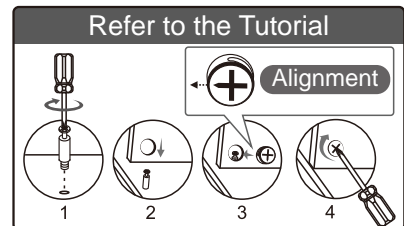
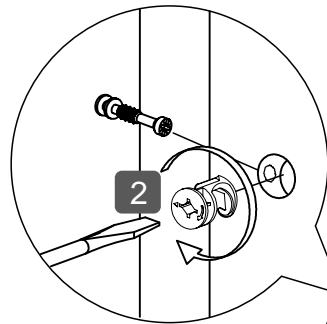
FIRST: Install bolts #2 into the indicated holes on B.



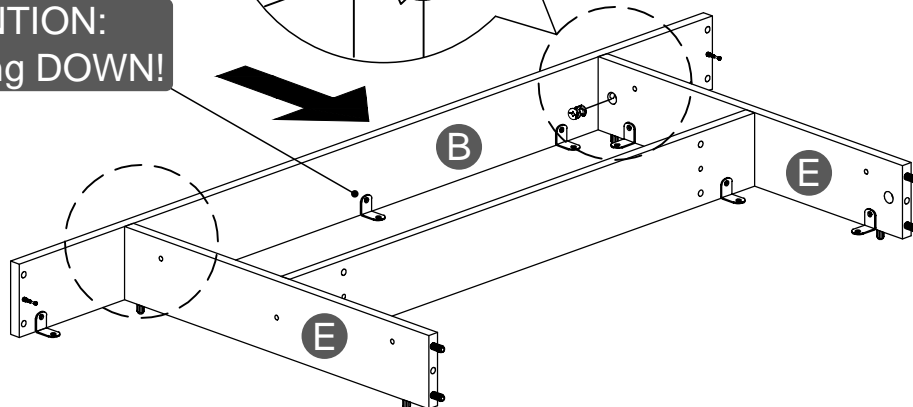
THEN: Install #10 with #4 along the indicated edge on B.



LAST: Assemble B to E with cam locks #2 as explained earlier in the Tutorial.



⚠ PAY ATTENTION:  
#10 on B facing DOWN!




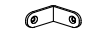


ASSEMBLY STEPS

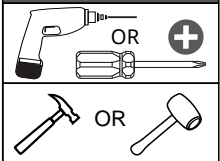
STEP 3

Hardware

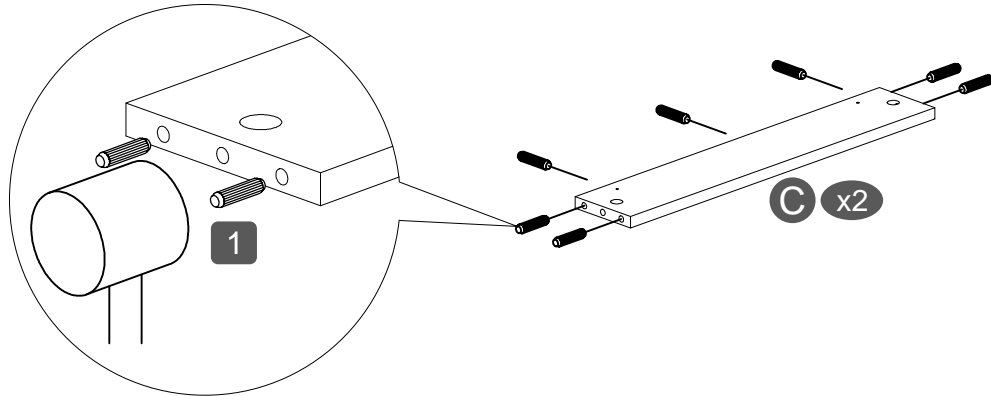
This step requires of  2 persons

1		14 Pcs
2		2 Pcs
4		4 Pcs
10		4 Pcs

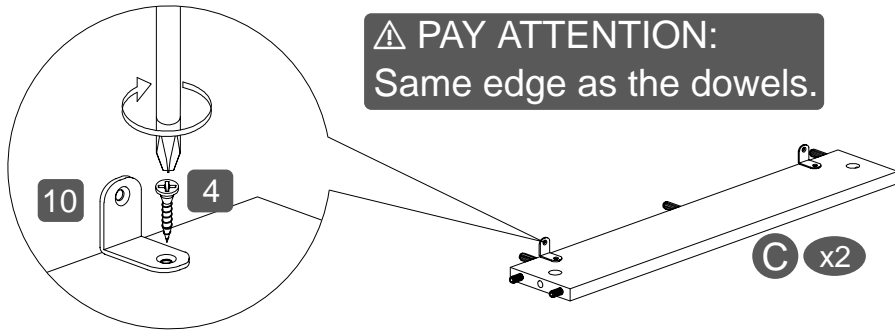
Tools (Not included)



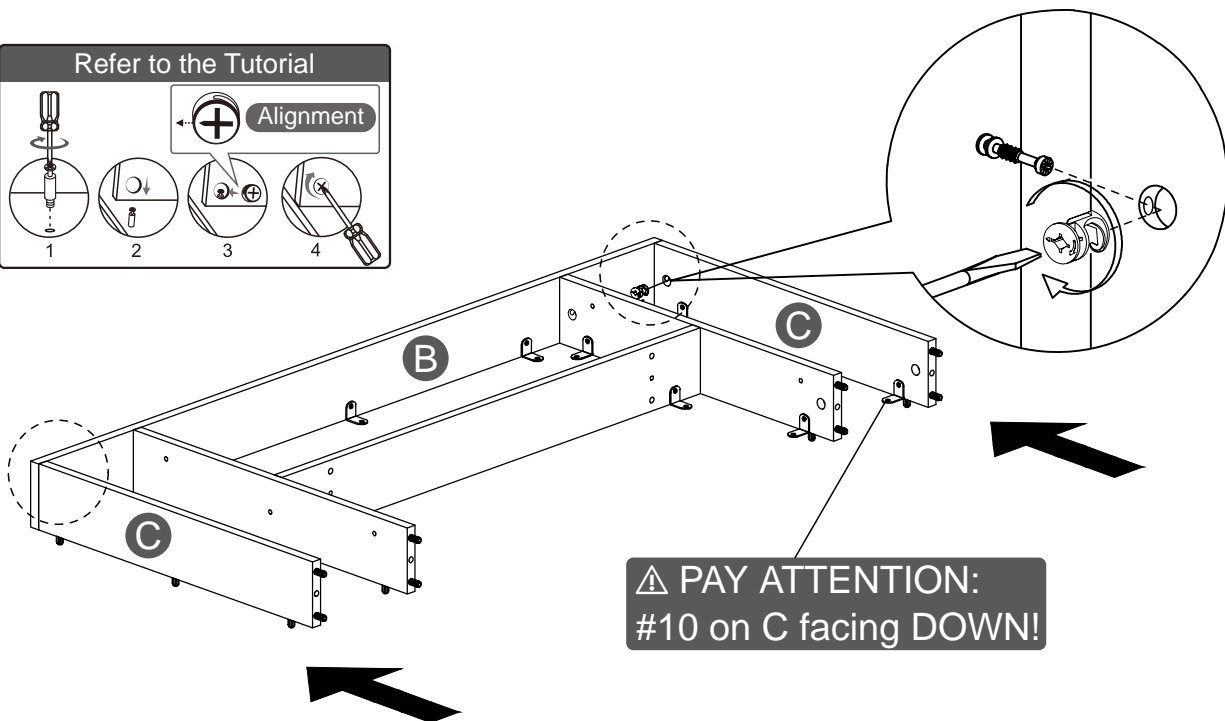
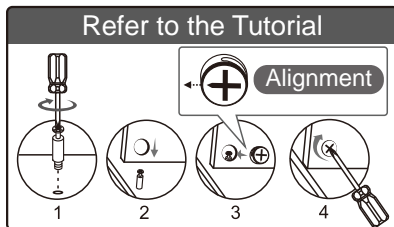
FIRST: Install #1 into the indicated holes on C.



THEN: Install #10 with #4 along the indicated edge on C.







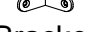
LAST: Assemble C to B with cam locks #2 as explained earlier in the Tutorial.



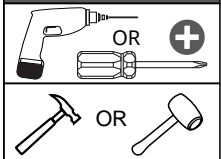
ASSEMBLY STEPS

STEP 4

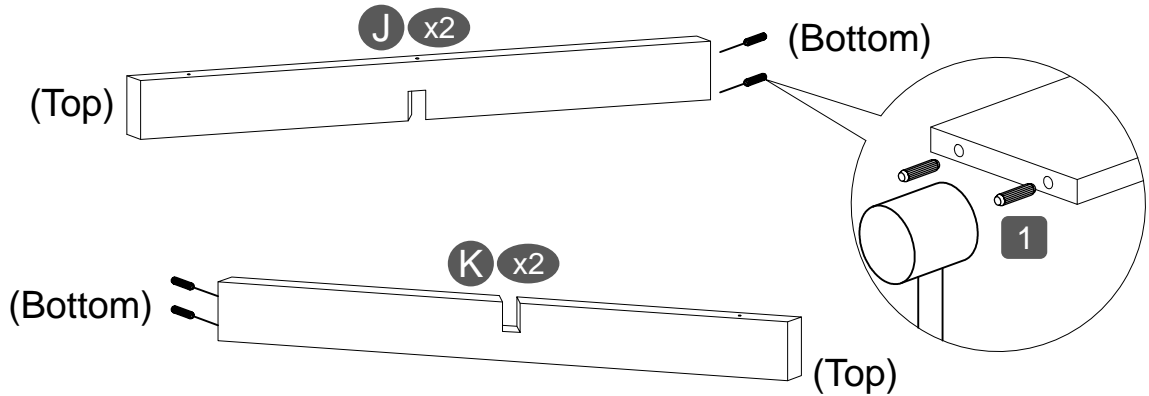
Hardware

1		8
	Dowels	Pcs
4		4
	3.5x15mm	Pcs
8		8
	Glides	Pcs
9		2
	4x65mm	Pcs
10		4
	Bracket	Pcs

Tools (Not included)

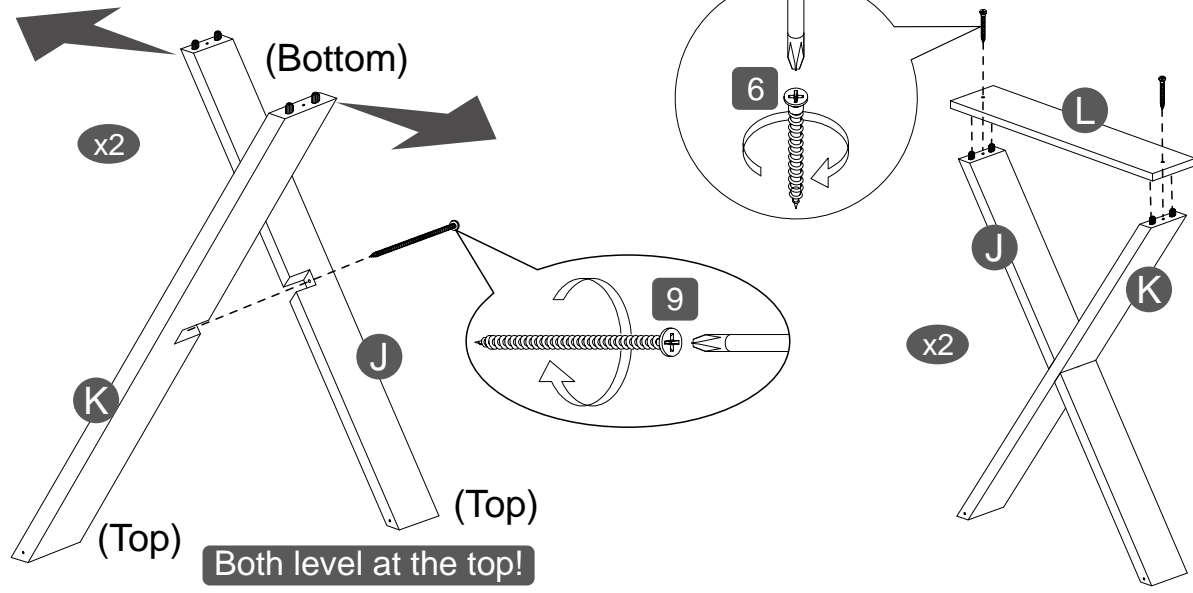


FIRST: Install #1 into the bottom ends of J and K.



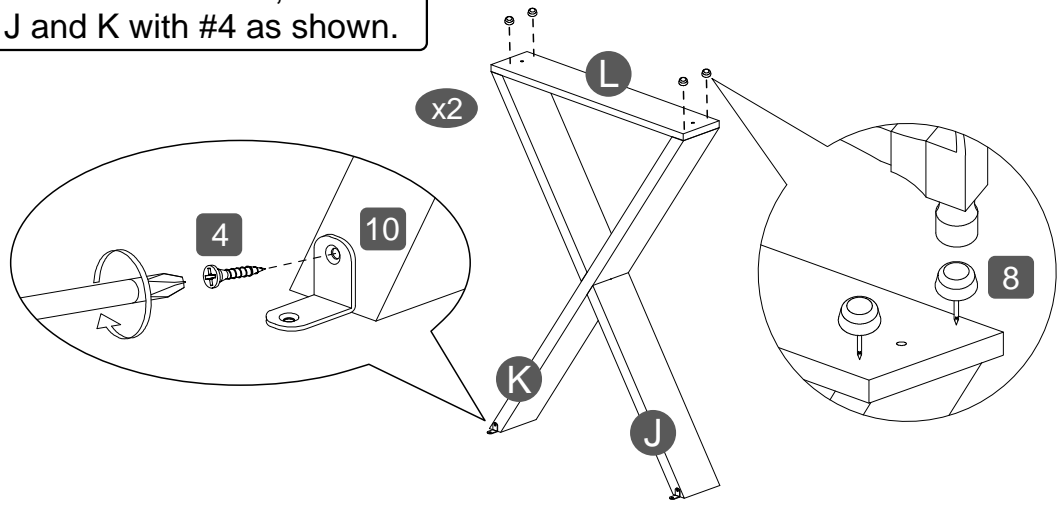
THEN: Join J and K with #9 criss-crossed as shown.

THEN: Attach L to J and K with #6.



Both level at the top!

LAST: Attach #8 to L, and #10 to J and K with #4 as shown.



ASSEMBLY STEPS

STEP 5

This step requires of 2 persons

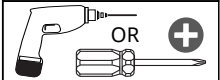


Hardware

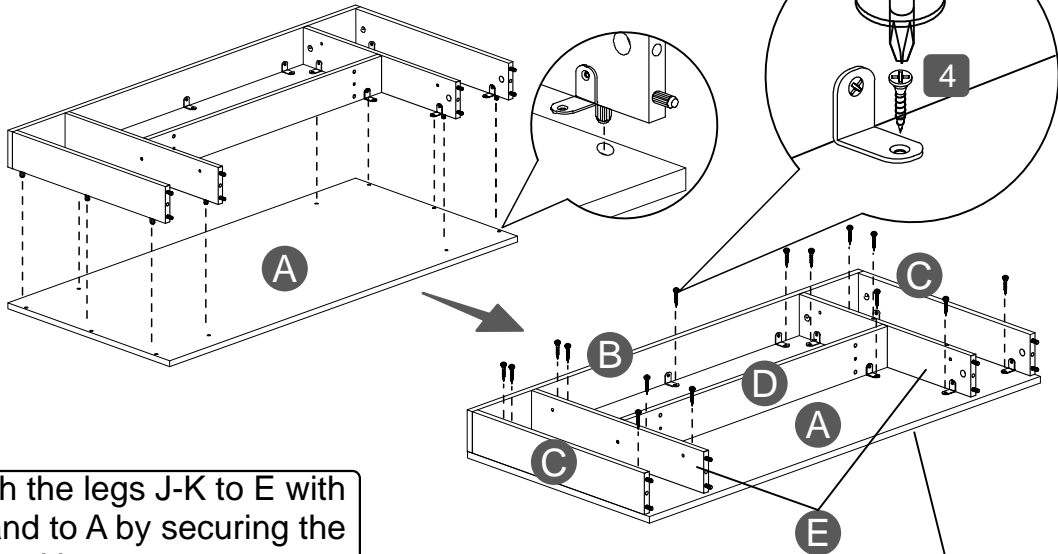
4 19  
3.5x15mm Pcs

6 4  
5x38mmx14 Pcs

Tools (Not included)

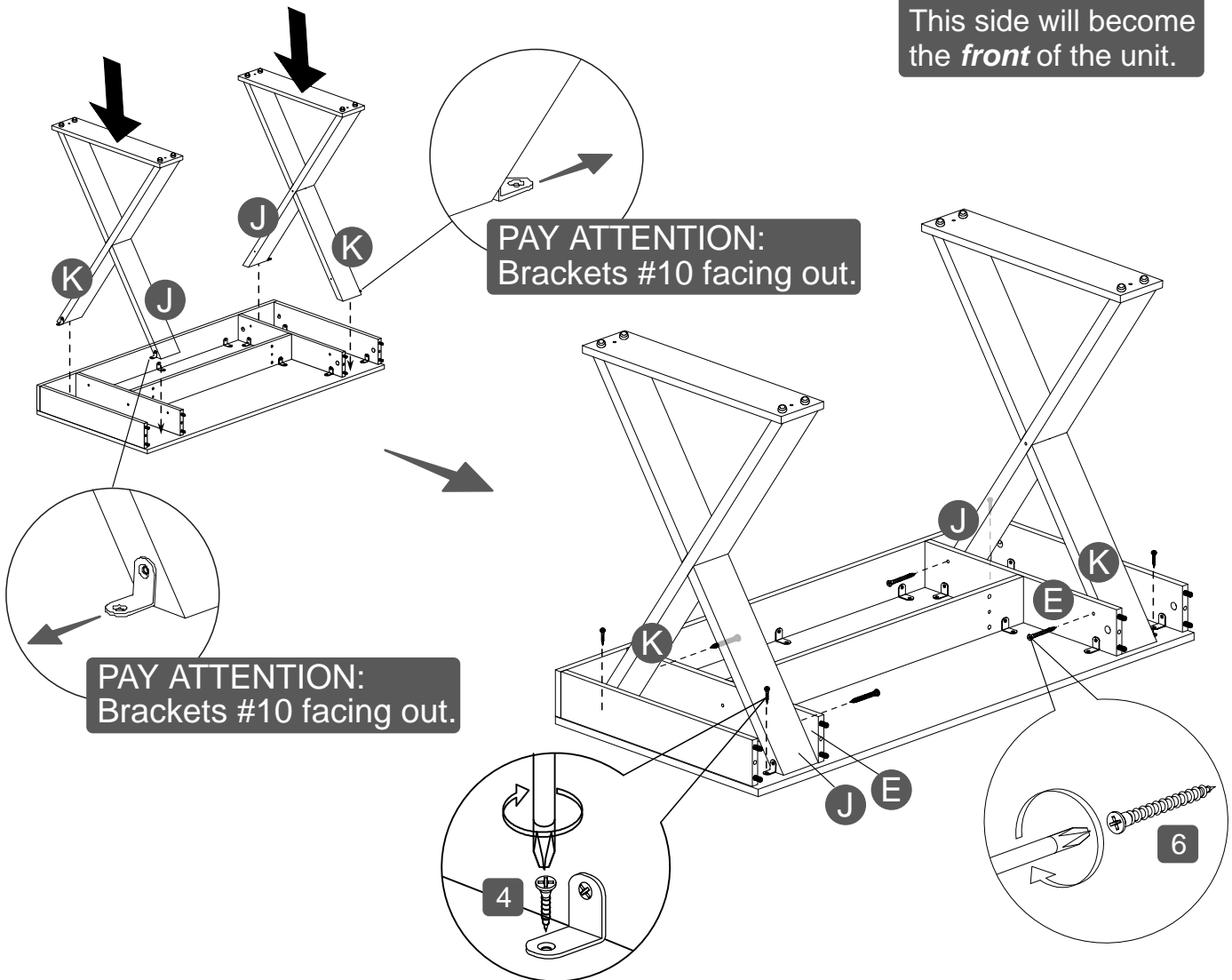


FIRST: Attach the frame to the tabletop A by securing the brackets #10 with screws #4.



THEN: Attach the legs J-K to E with screws #6, and to A by securing the brackets #10 with screws #4.

NOTE:  
This side will become the **front** of the unit.





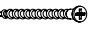

PAY ATTENTION:  
Brackets #10 facing out.

PAY ATTENTION:  
Brackets #10 facing out.

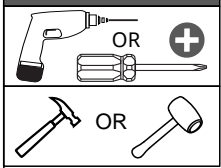
ASSEMBLY STEPS

STEP 6

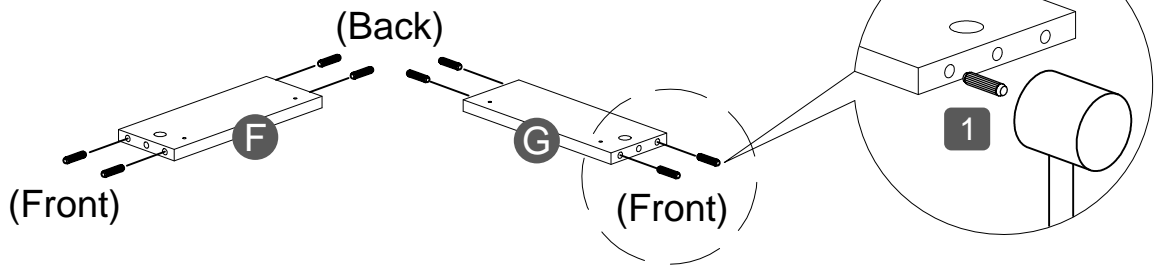
Hardware

1		8
	Dowels	Pcs
3		4
	5x8mm	Pcs
6		2
	5x38mmx14	Pcs
12		2
	"Flat" pieces	Pcs

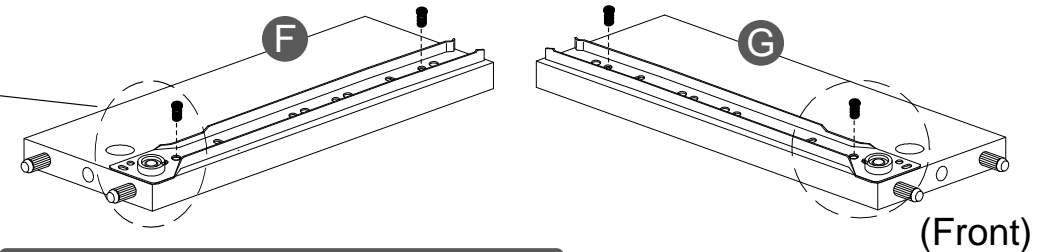
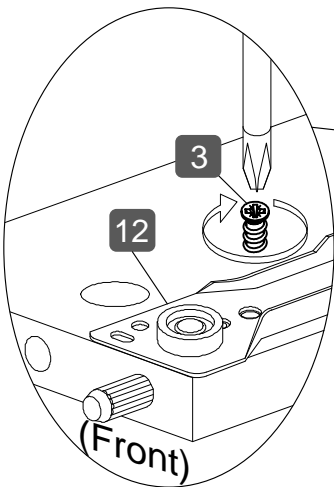
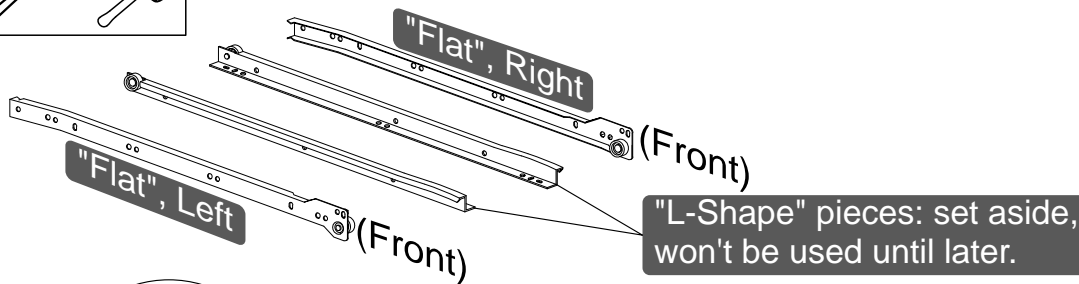
Tools (Not included)



FIRST: Insert #1 into F and G.

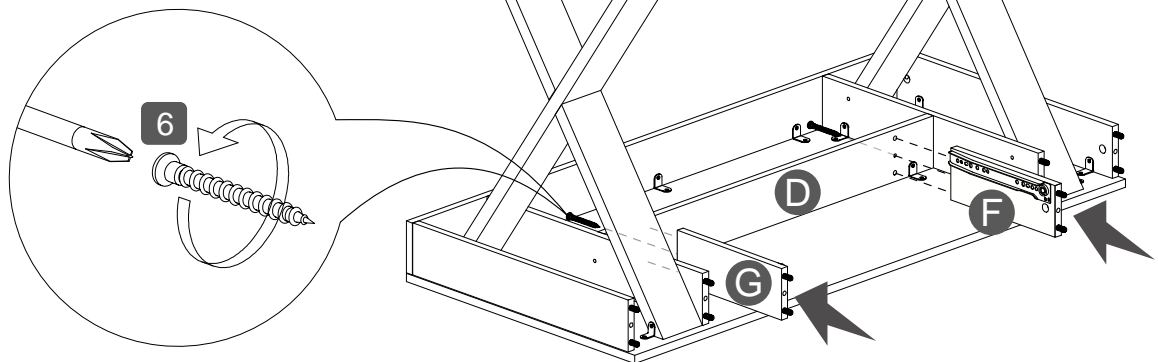


THEN: From the set of sliders #12, attach the "flat" pieces to F and G with euro screws #3.



PAY ATTENTION:  
The wheel goes facing towards the front, and closer to the edge, not to the big hole.

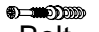



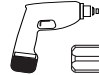
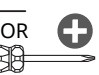
LAST: Attach F and G to D with #6.



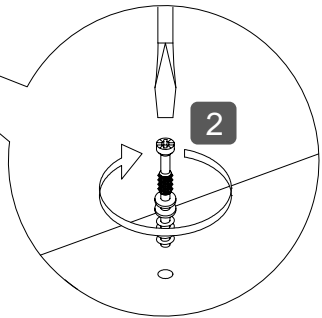
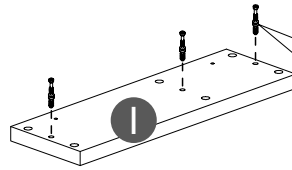
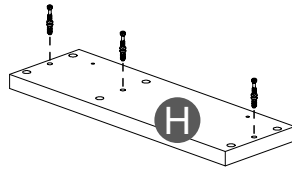
ASSEMBLY STEPS

STEP 7

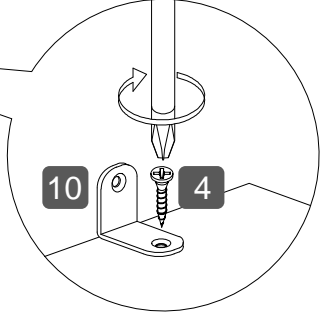
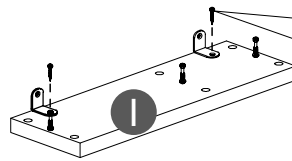
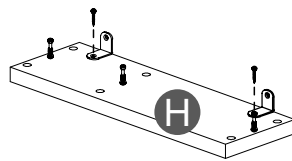
Hardware

2	 Bolt +  Cam Lock	6 Sets
4	 3.5x15mm	4 Pcs
10	 Bracket	4 Pcs
Tools (Not included)		
 OR  +		

FIRST: Attach bolts #2 to H and I into the indicated holes.

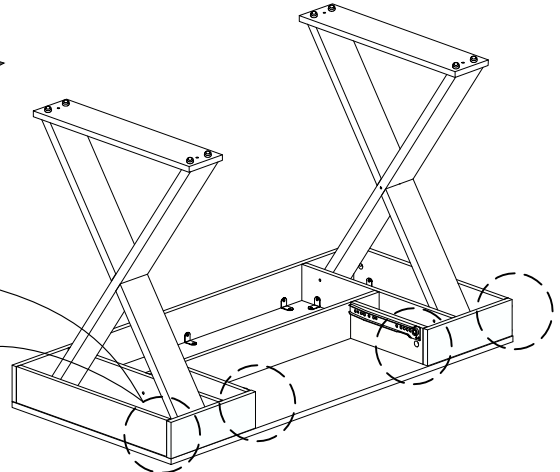
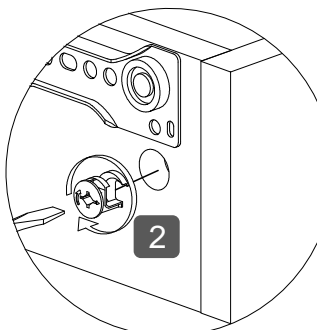
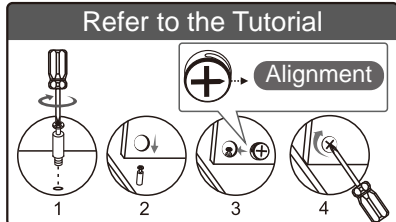
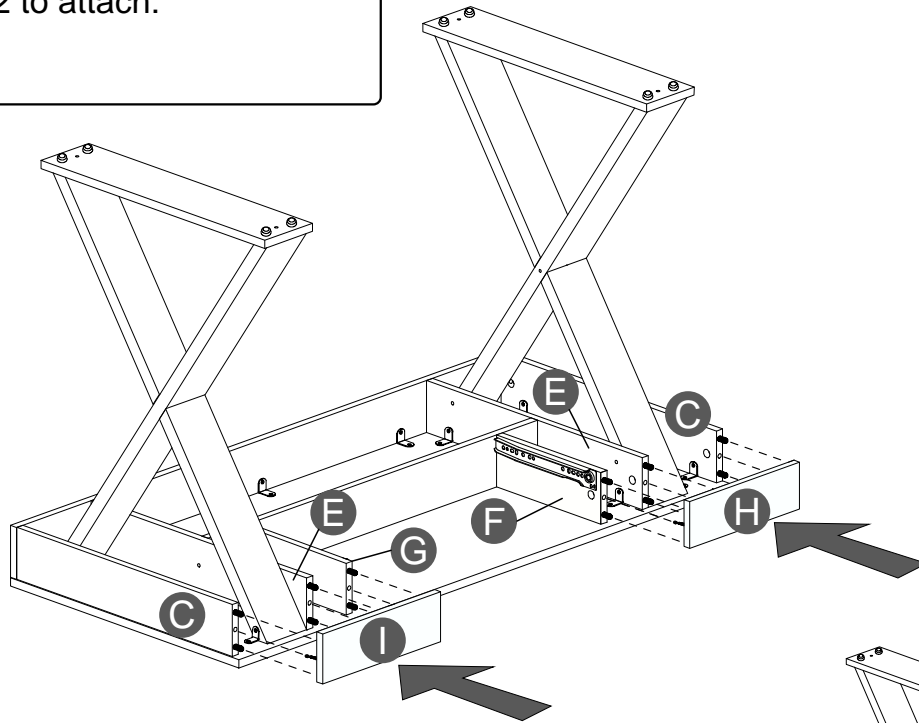


THEN: Attach #10 to H and I with #4 on the indicated edges.



THEN: As explained earlier in the Tutorial, use cam locks #2 to attach:

- H to C-E-F;
- I to C-E-G.




ASSEMBLY STEPS

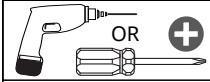
**STEP 8**

This step requires of 2 persons 

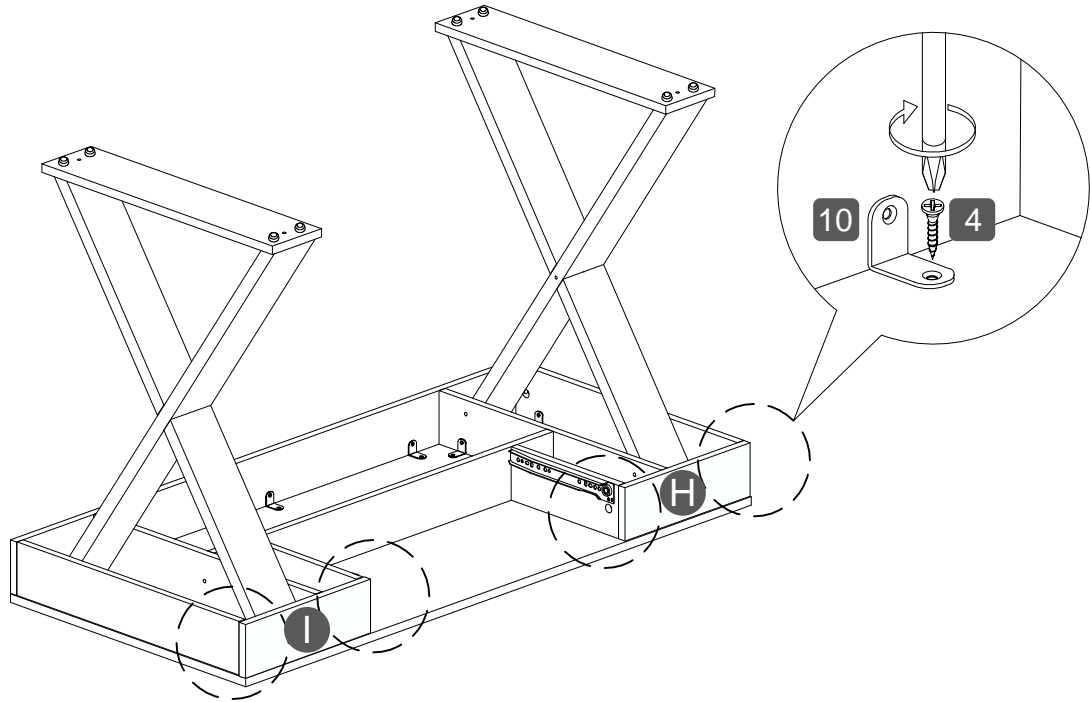
**Hardware**

4  4  
3.5x15mm Pcs

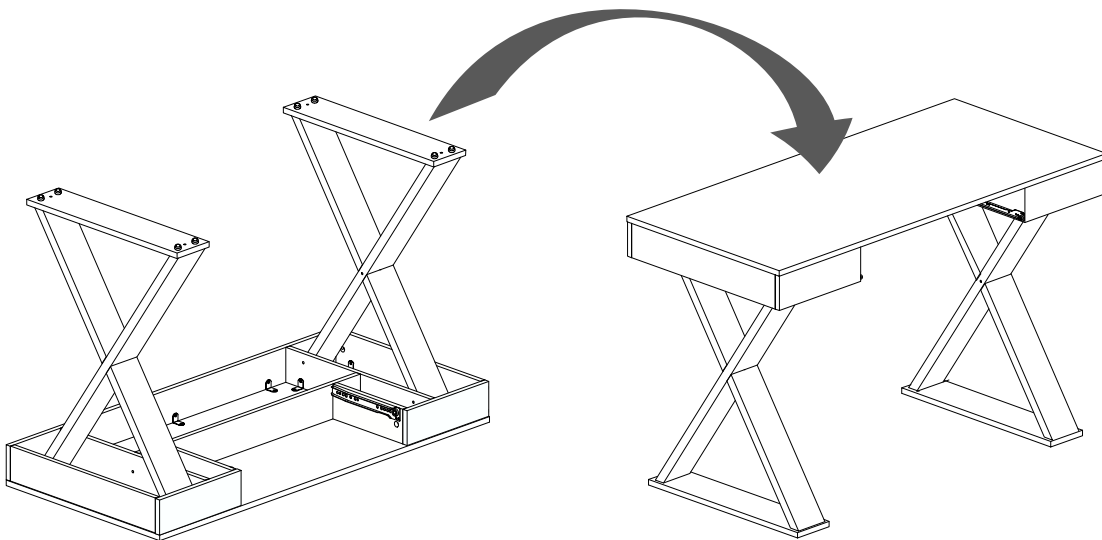
**Tools (Not included)**



**FIRST:** Secure the brackets of H and I to A with #4.



**THEN:** Flip the unit upright.

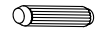




ASSEMBLY STEPS

**STEP 9**

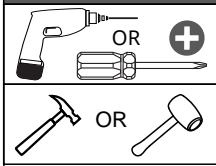
Hardware

This step requires of  2 persons

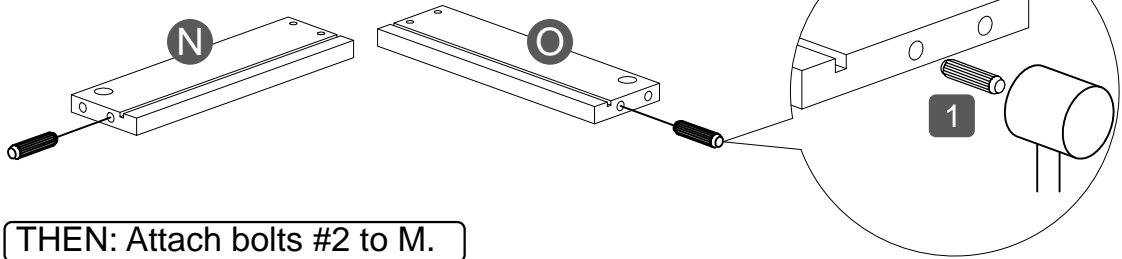
1  2 Pcs  
Dowels

2  +  2 Sets  
Bolt  
+  
Cam Lock

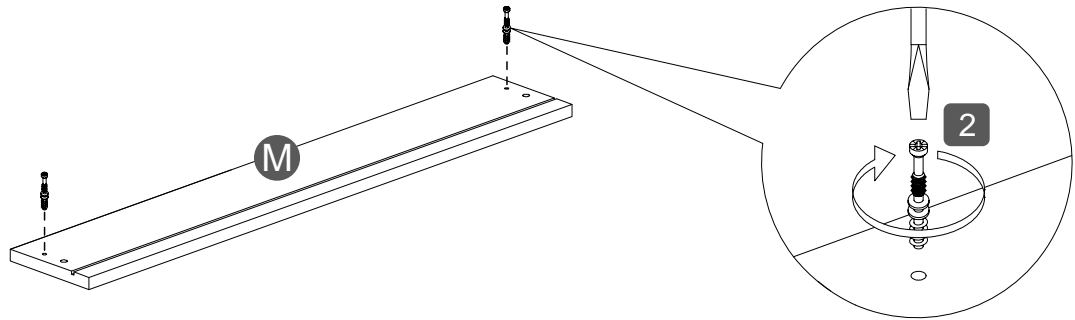
Tools (Not included)



FIRST: Attach #1 to N and O.

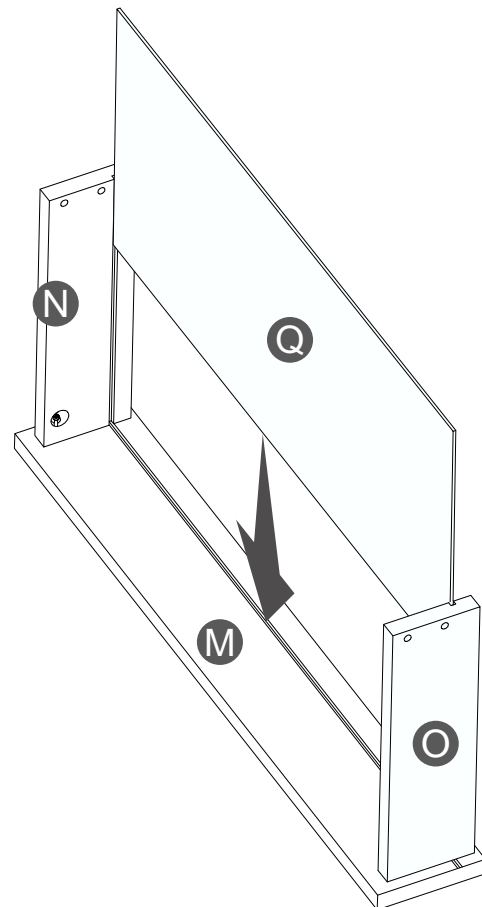
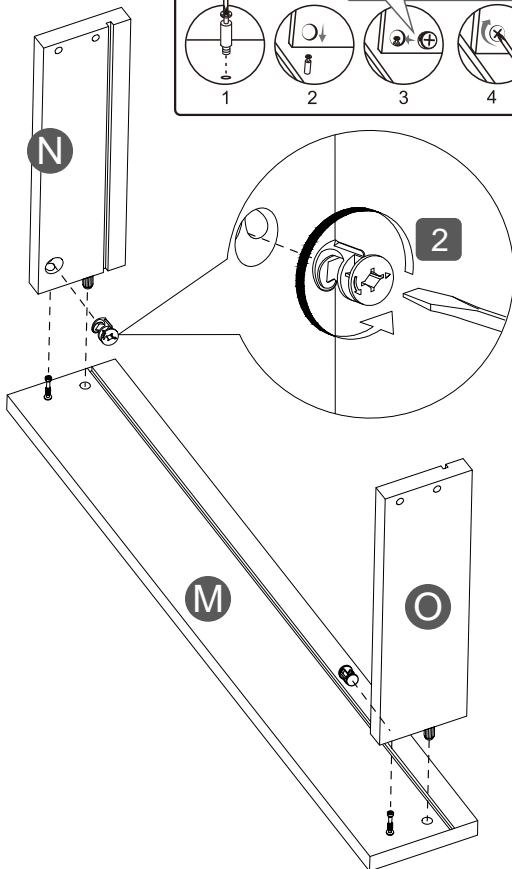
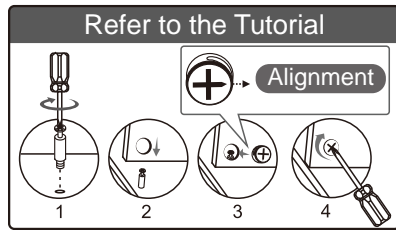


THEN: Attach bolts #2 to M.



THEN: Attach N and O to M with cam locks #2 as explained earlier in the Tutorial.

LAST: Slide Q through the grooves of N, O and into the groove of M.








ASSEMBLY STEPS

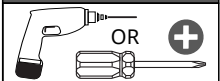
STEP 10

Hardware

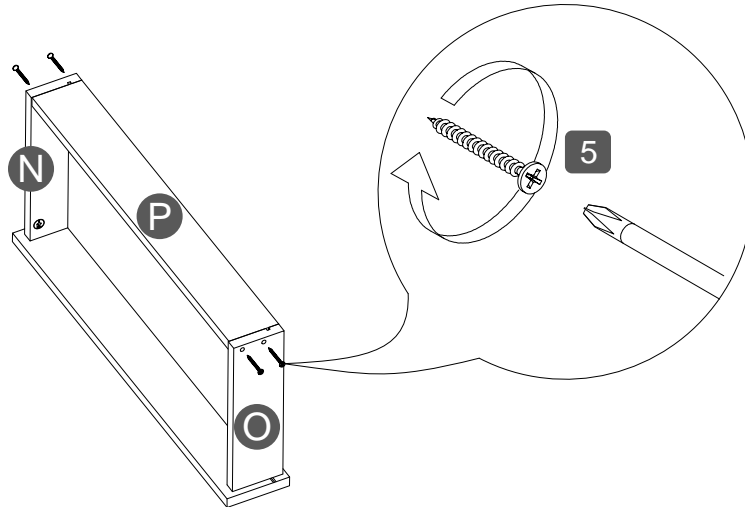
This step requires of 2 persons

4	 3.5x15mm	4 Pcs
5	 4x38mm	4 Pcs
7	 Cam lock Caps	2 Pcs
11	 Screw Caps	2 Pcs
12	 "L" pieces	2 Pcs

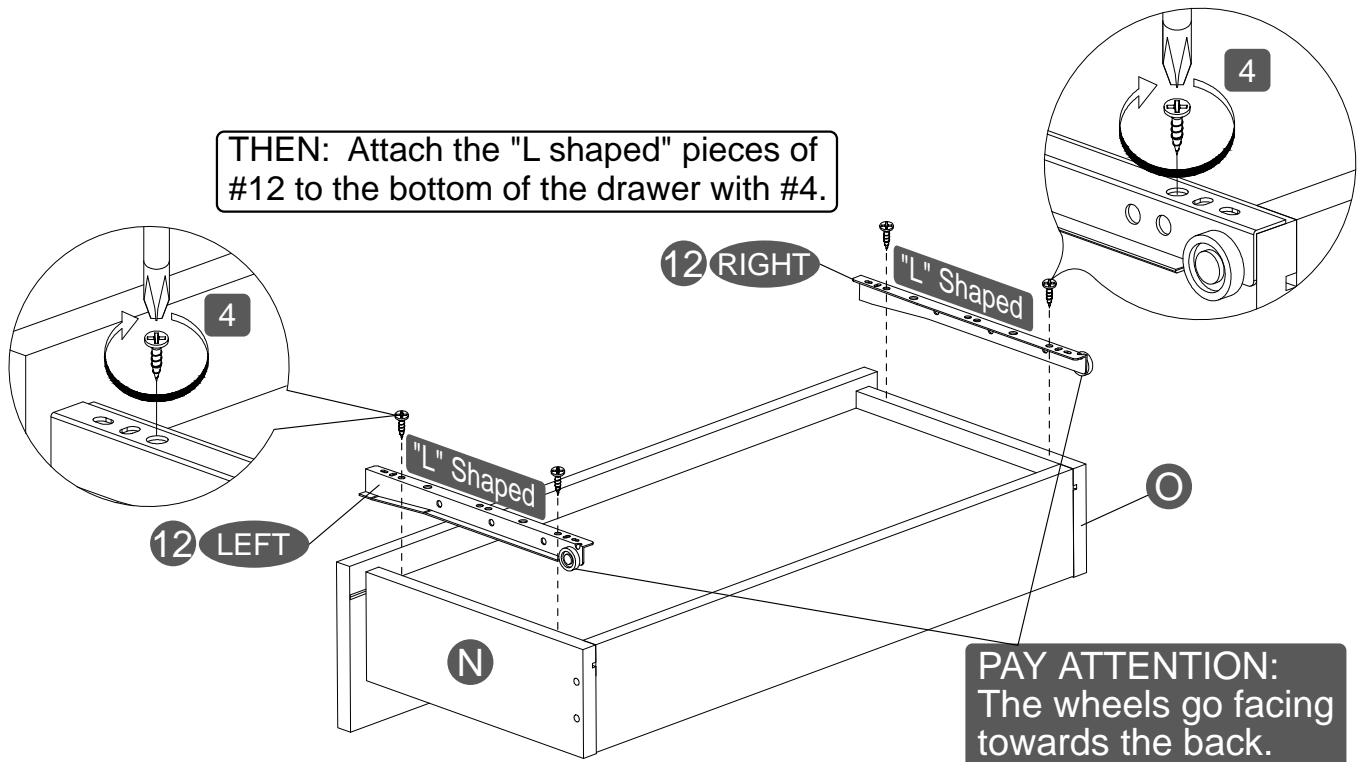
Tools (Not included)



FIRST: Attach P to N and O with #5.

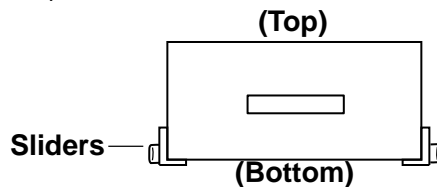


THEN: Attach the "L shaped" pieces of #12 to the bottom of the drawer with #4.

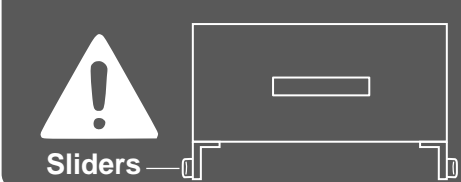


**⚠ PAY ATTENTION!**

When done, the sliders will look like this:





If you install as shown below, the drawer raises 1" and won't fit!



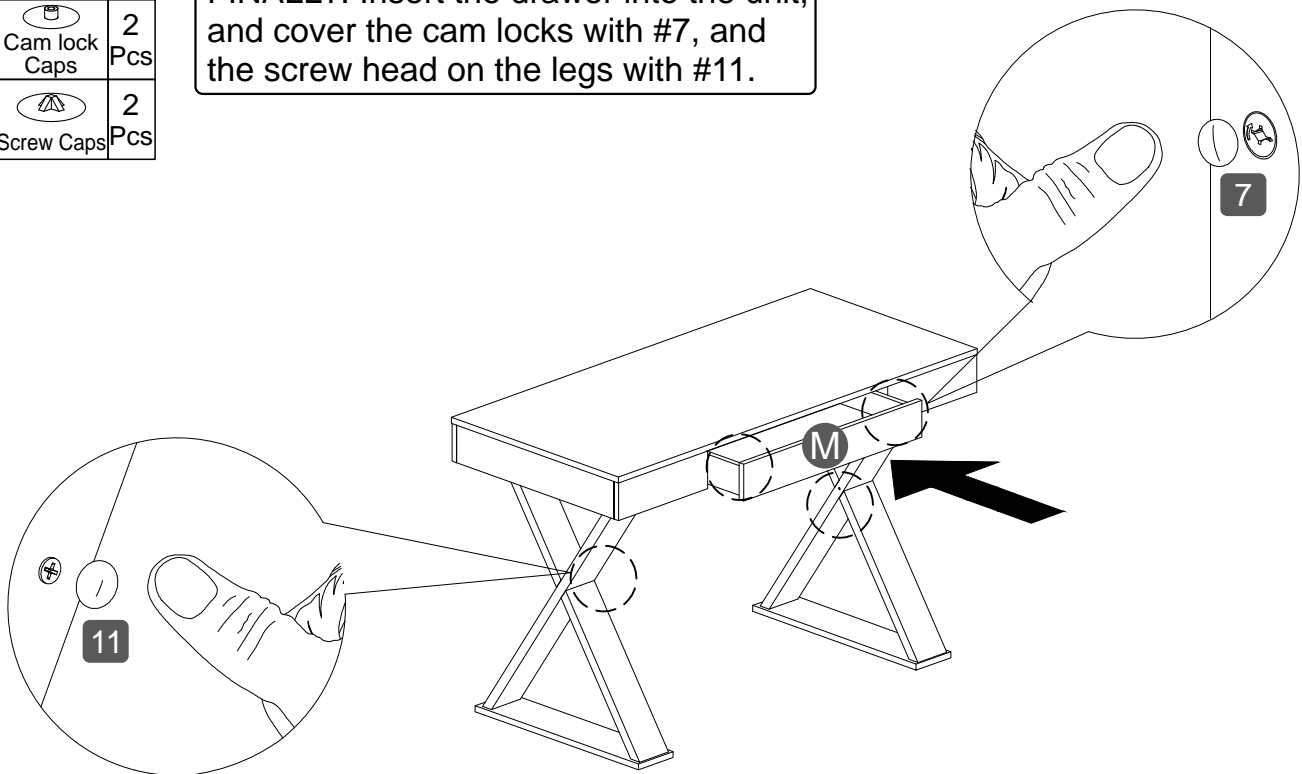
## ASSEMBLY STEPS

## STEP 11

## Hardware

7	 Cam lock Caps	2 Pcs
11	 Screw Caps	2 Pcs

**FINALLY:** Insert the drawer into the unit, and cover the cam locks with #7, and the screw head on the legs with #11.



# ALL DONE!

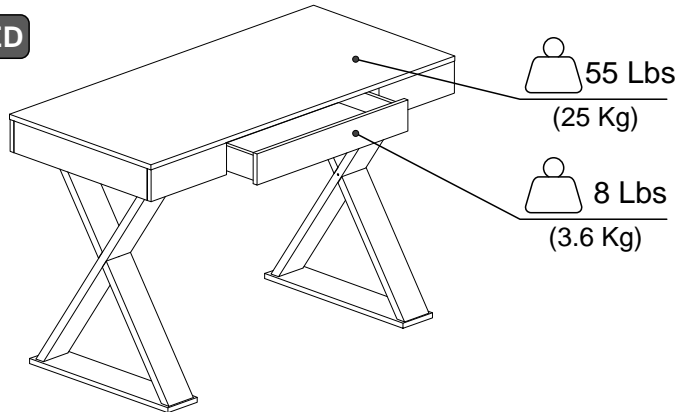
Give yourself a nice pat on the back, you did a great job!

Please read the warnings on the next page before using the product.

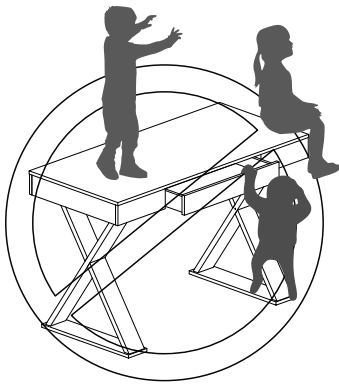
**WARNINGS**

Not paying attention to the following warnings could result in injuries.

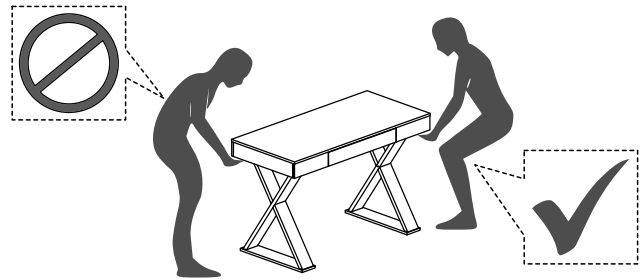
**WEIGHT LIMITS - DO NOT EXCEED**



- Do not sit, climb or stand on the Unit.
- Do not allow children to play over or below the unit.



- 2 persons are required for moving the unit at distances longer than 2 feet.
- Remove or secure any objects that are heavy or might fall off during moving.
- Lift by bending your knees, not your backs.

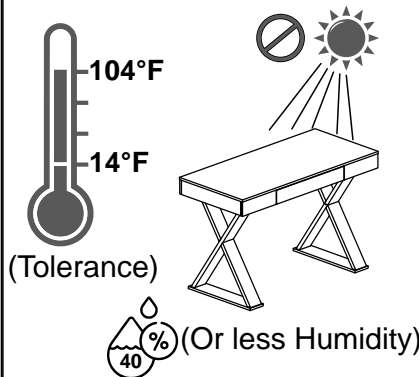


**CARE AND MAINTENANCE**

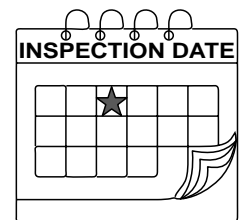
- Clean with a cloth lightly damped in a solution of mild soap and water.
- Do not use solvents or abrasive materials.



Do not expose to direct sunlight or extreme environmental conditions.



Inspect and re-tighten any loose screws every 4 months.



**LIMITED WARRANTY**



For details, please visit our website:  
Technimobili.com

To file a claim or request information, please email to:  
warranty@rtaproducts.com

