

High Back Executive Sport Race
Office Chair with Flip-Up Arms

MODEL RTA-3527




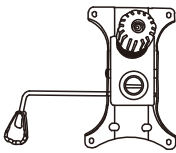

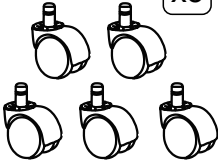
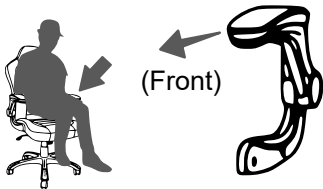
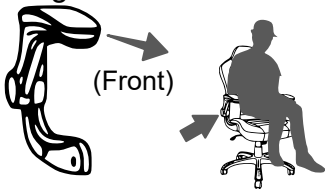
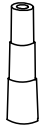
ASSEMBLY INSTRUCTIONS




REV.2-HGO-8532-1024




Thank you for
purchasing our product!

<p>Do a quick inventory of all the parts and hardware listed below.</p> 	<p>For Support, assembly questions & Replacement Parts within the 48 Contiguous United States:</p> <p>Please email us at: support@rtaproducts.com</p> 	<p>Replacement Parts for International Customers & AK-HI-PR orders: RTA Products will replace the part free of charge, while the customer is responsible for shipping costs plus any International local taxes or duties.</p>
---	---	---

MAIN PARTS LIST				
<p>A Backrest</p> 	<p>B Seat</p> 	<p>C 5-Leg star base</p> 	<p>D Mechanism</p> 	<p>E Lift cylinder</p> 
<p>F Casters x5</p> 	<p>G-L Left armrest</p>  <p>(Front)</p>	<p>G-R Right armrest</p>  <p>(Front)</p>	<p>H Covers for lift cylinder x1 Set</p> 	

HARDWARE LIST			
Part #	QTY	SIZE/Description	Item
I	4	M6x20	
J	8	M6x25	
K	8	Armrest covers	

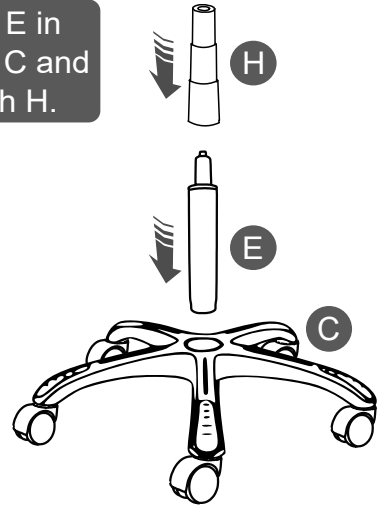
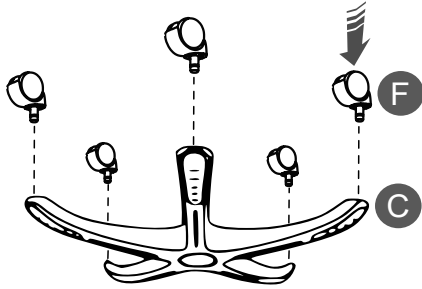
INCLUDED TOOLS	
Allen Wrench	

ASSEMBLY STEPS

STEP 1

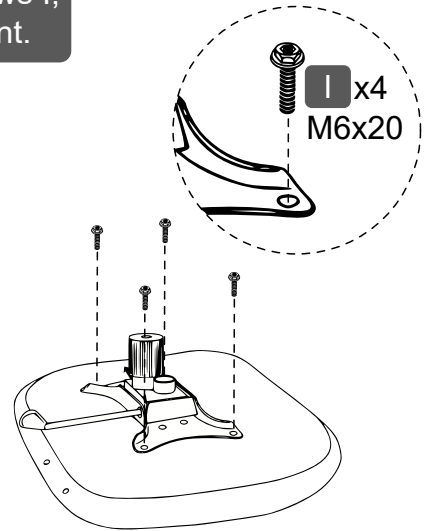
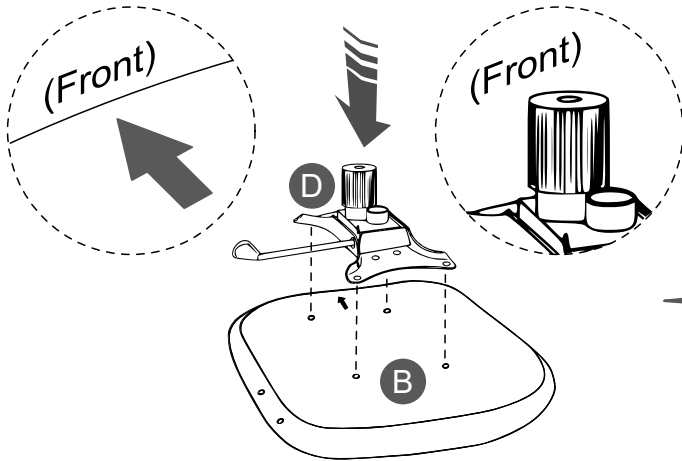
FIRST: Attach F to C using pressure.

THEN: Insert E in the middle of C and covered it with H.



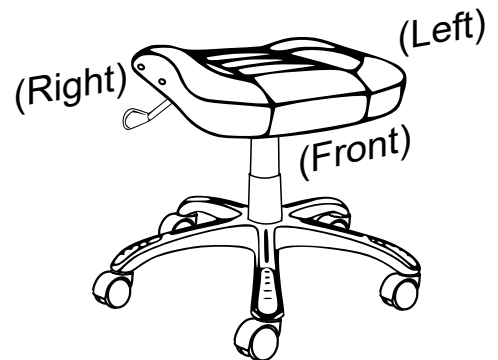
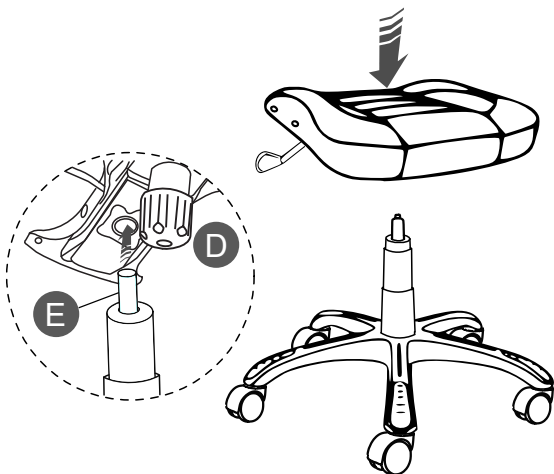
STEP 2

Assemble the mechanism D to the seat B with screws I, making sure the tension knob faces towards the front.



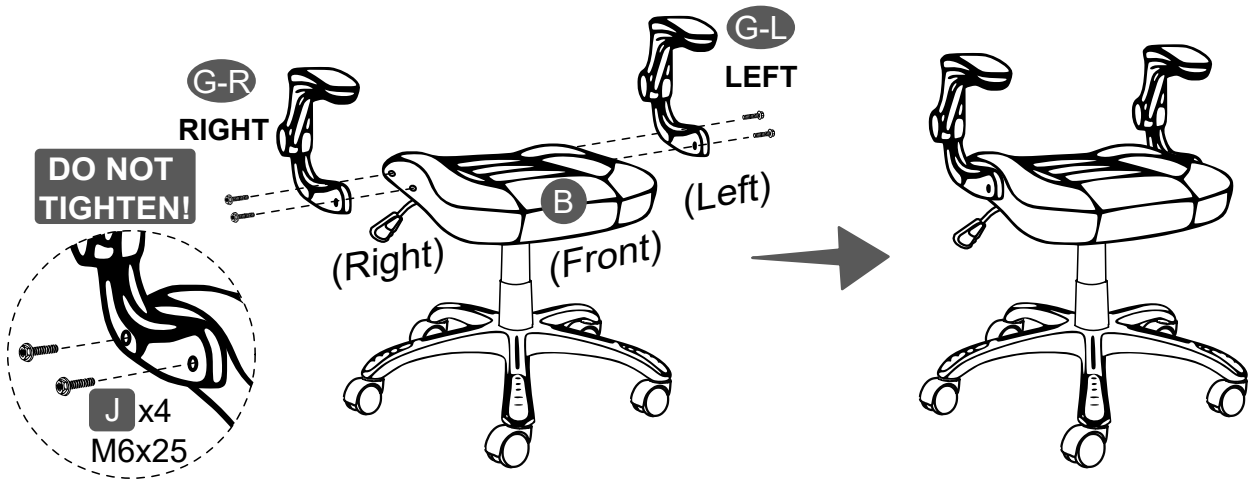
STEP 3

Put the seat over the base making sure the tip of the gas lift E enters into the big hole of the mechanism D.

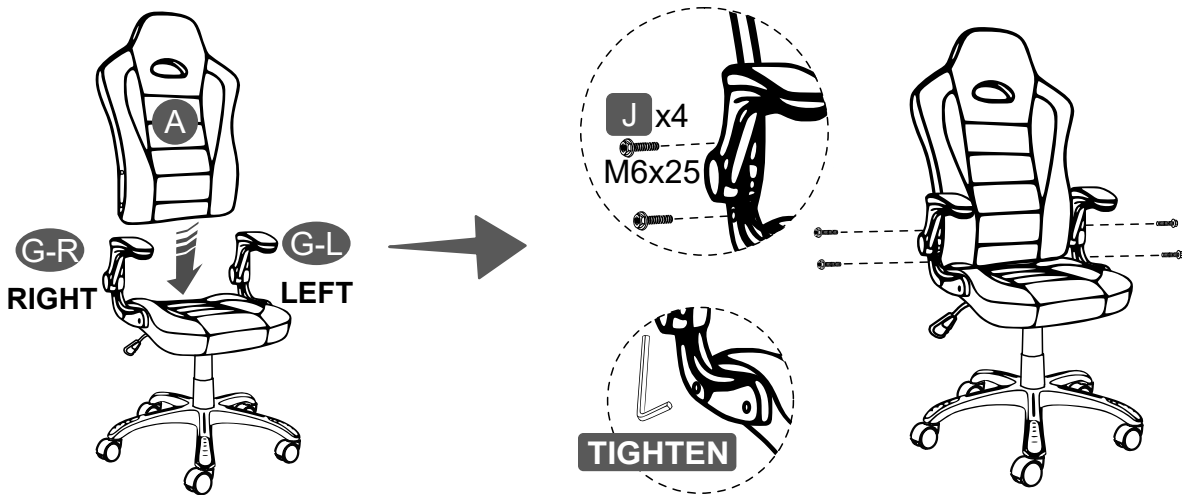


ASSEMBLY STEPS

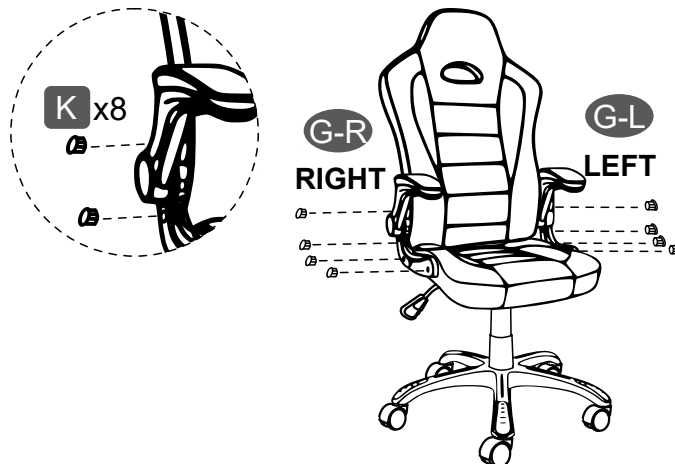
STEP 4 Assemble the armrests G-L, G-R to the seat B on their respective sides with screws J, **BUT DO NOT TIGHTEN TO ALLOW FLEXIBILITY** for the next step.



STEP 5 Assemble the backrest A to the armrests G-L, G-R with screws J, and proceed to tighten the screws on the bottom of the armrests.



STEP 6 Cover the holes on the armrests with K.



CHAIR'S FUNCTIONS

HEIGHT
Pull Handle UP.

TILTING
Pull Handle OUT to UNLOCK; Push Handle IN to LOCK.

FLIP
Flip arms UP or DOWN.

TENSION
Turn CLOCKWISE for less tension (-); COUNTERCLOCKWISE for more tension (+).
With less tension, the tilting feels easier.

WARNINGS - Not paying attention to the following warnings could result in injuries.

<p>Do not use the chair if the frame parts are damaged, or if any of the screws are loose or missing.</p>	<p>Only one person at a time and refrain from sitting on the edge of the seat to prevent the chair from tipping over.</p>	<p>Do not stand or use the chair as ladder.</p>
<p>WEIGHT LIMIT DO NOT EXCEED</p> <p>220 Lbs (100 Kg)</p>	<p>Do not leave babies or toddlers unattended while seated on the chair, always ensure adult supervision. Keep children from playing with the chair for their safety.</p>	

CARE AND MAINTENANCE

<p>Clean with a soft cloth lightly damped in a solution of smooth soap and water.</p>	<p>Do not use solvents or abrasive materials.</p>	<p>Do not expose to direct sunlight or to extreme environmental conditions.</p>	<p>Inspect the chair thoroughly every 4 months and re-tighten the screws.</p>
---	---	---	---

WARRANTY



2 YEAR LIMITED WARRANTY

For details on the Warranty Policy, please visit online:
www.technimobili.com