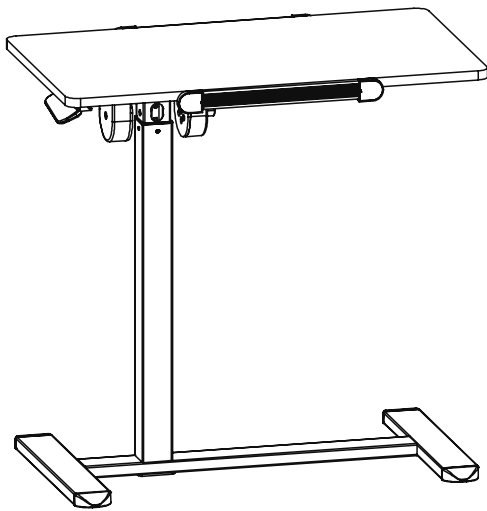


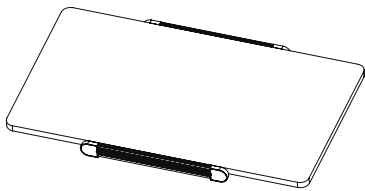
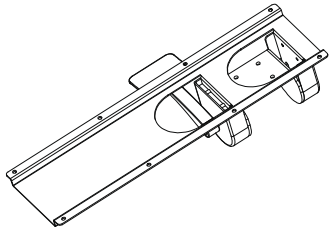
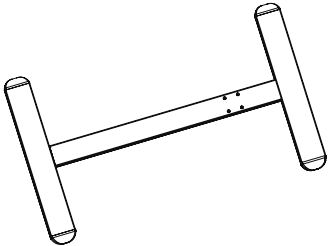
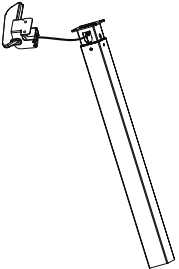
MODEL RTA-B0096


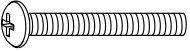

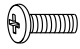

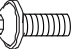
ASSEMBLY INSTRUCTIONS


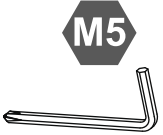
REV.1-GB-9118-1025



Thank you for purchasing our product!

MAIN PARTS LIST	
<p>1 Tabletop with retractable ledge</p> 	<p>2 Tilting mechanism</p> 
<p>3 Base legs</p> 	<p>4 Lift cylinder with handle</p> 

Hardware			
No.	Item	Qty.	
A	M6x40  	4	
B	M5x12  	10	
C	M6x11  	4	

Tools (Included)	
Combined Allen Wrench	 



For support with assembly questions & replacement parts please email us at: support@rtaproducts.com
Free shipping within the 48 Contiguous United States.



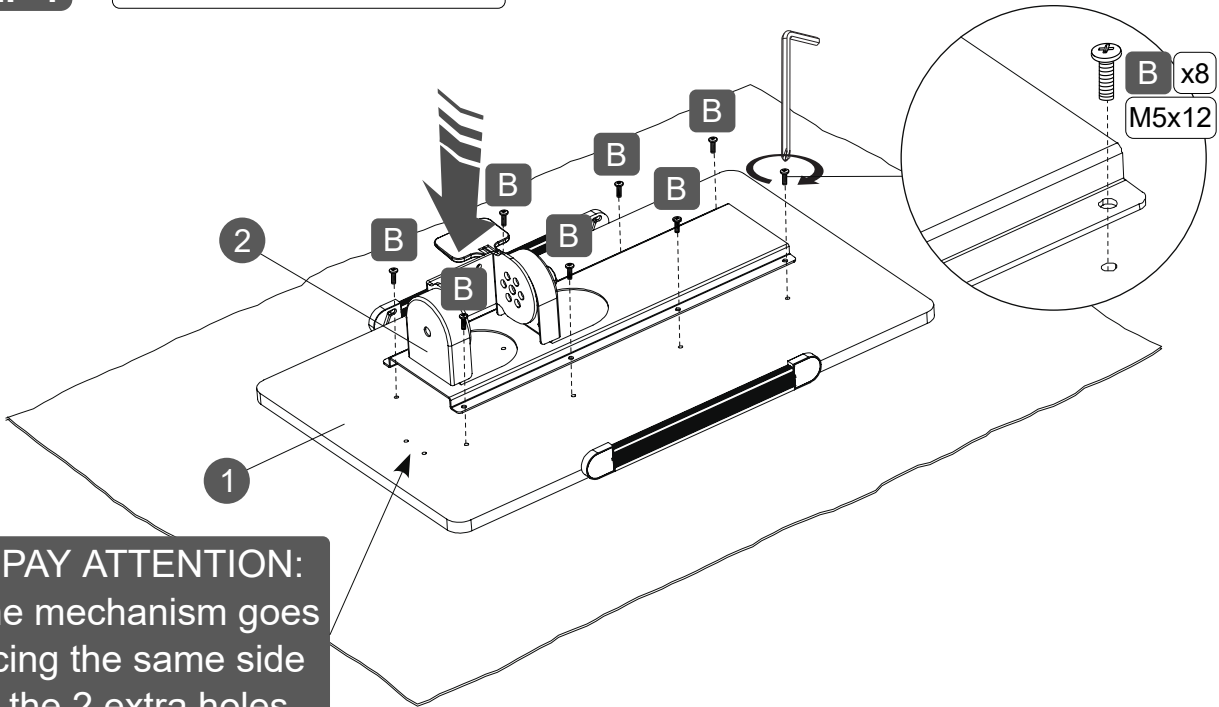
For international customers & **AK-HI-PR** orders, the customer is responsible for shipping costs plus any International local taxes or duties.

ASSEMBLY STEPS

- We recommend using a blanket or tablecloth to protect the product's finish during assembly.
- Do not overtight any screws.

STEP 1

Use B to attach #2 to #1.

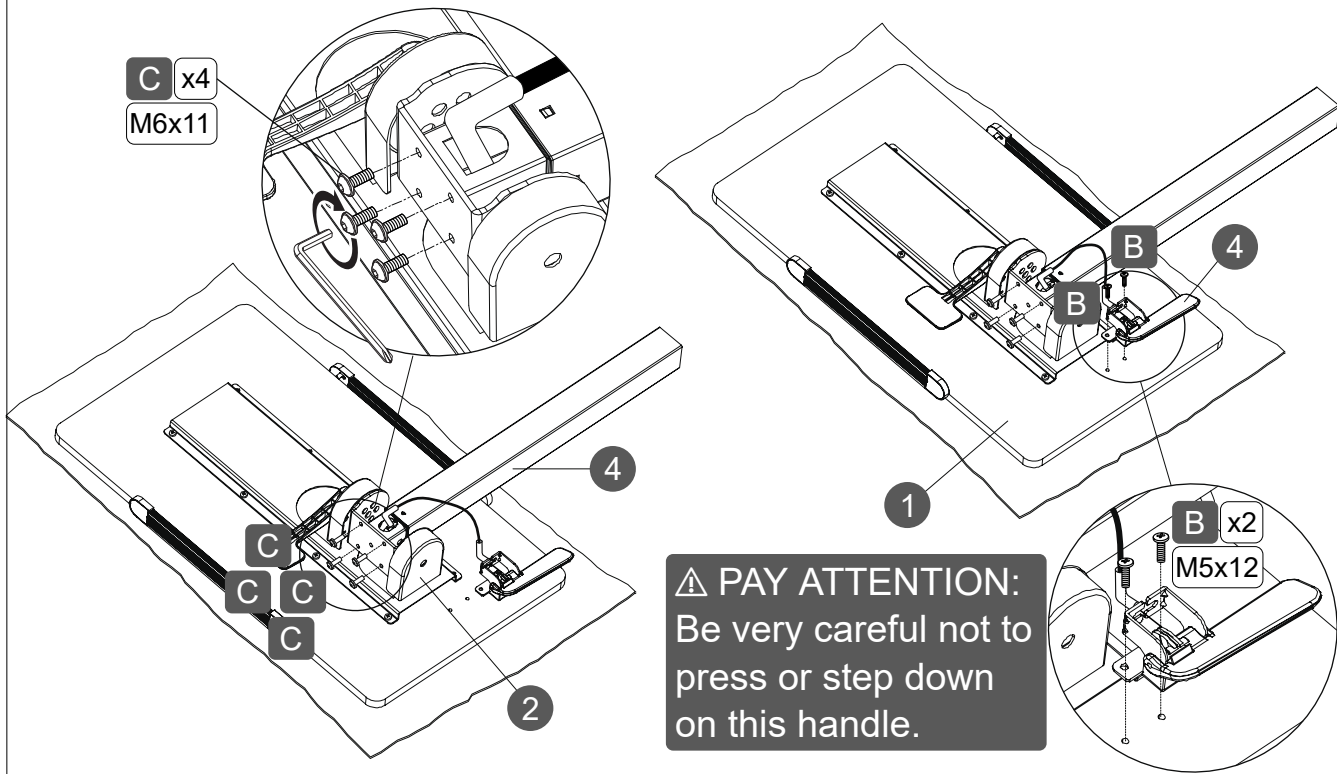


⚠ PAY ATTENTION:
The mechanism goes facing the same side as the 2 extra holes.

STEP 2

1st: Use C to attach #4 to #2.

2nd: Use B to attach the handle from #4 to #1.

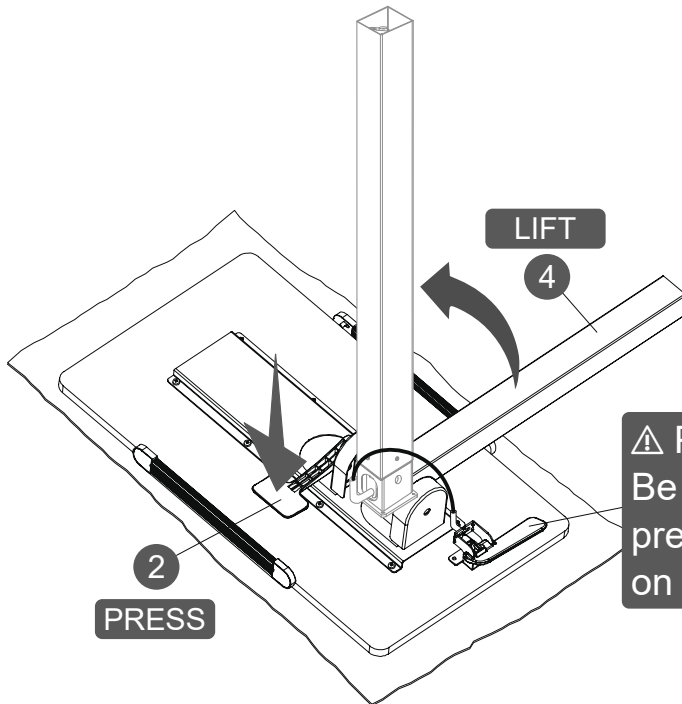


⚠ PAY ATTENTION:
Be very careful not to press or step down on this handle.

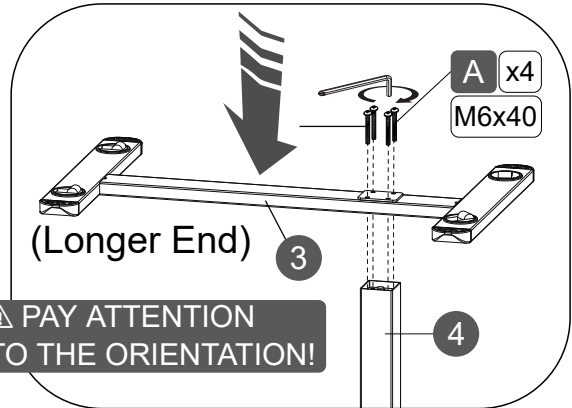
ASSEMBLY STEPS

STEP 3

1st: Lift # 4 upright by pressing DOWN the lever from #2.



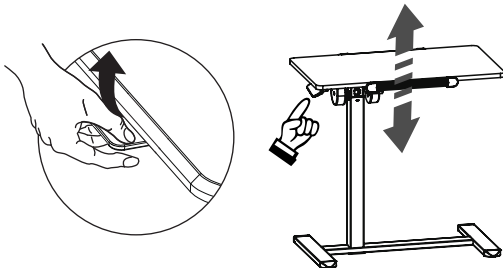
Finally: Use A to attach #3 to #4.



⚠ PAY ATTENTION: Be very careful not to press or step down on this handle.

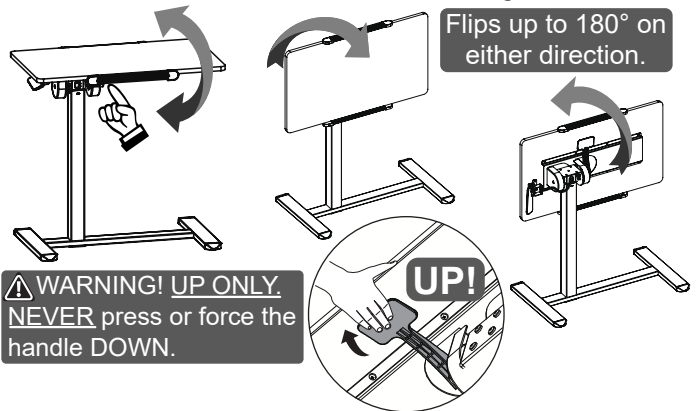
FUNCTIONS

HEIGHT Lift and hold the handle located on the short side.

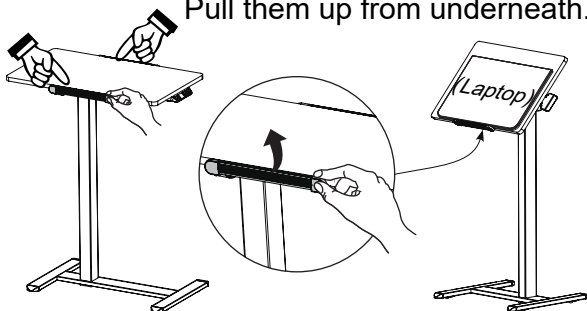


💡 To lower it, you must push down **TIP!** on the tabletop, applying force.

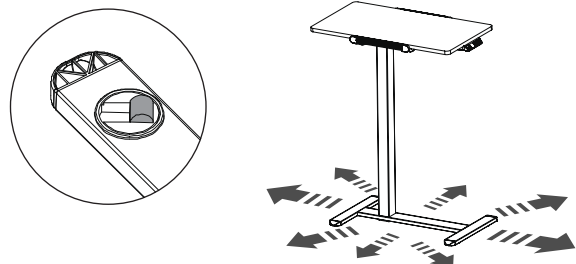
TILT/ANGLE Lift the handle located on the long side and tilt to the desired angle.



RETRACTABLE LEDGE Pull them up from underneath.

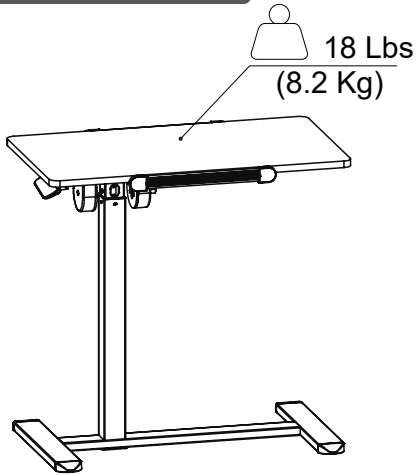


ROLLING The hidden wheels can roll the cart in any direction you want.

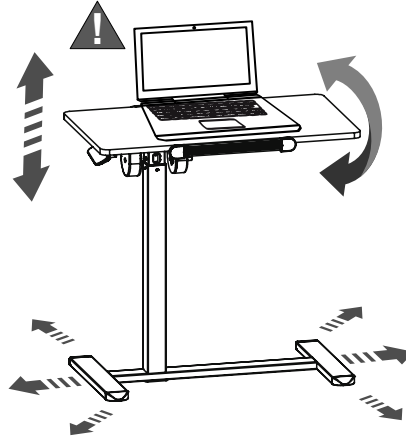


WARNINGS - Not paying attention to the following warnings could result in injuries.

DO NOT EXCEED

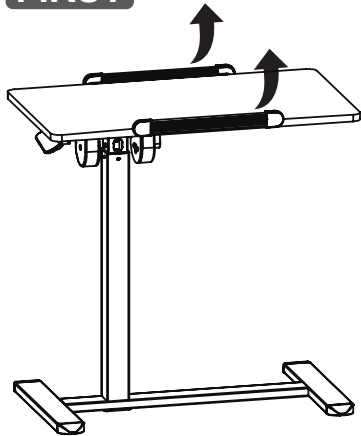


Use caution for objects on the tabletop when adjusting the height, tilting and rolling functions.

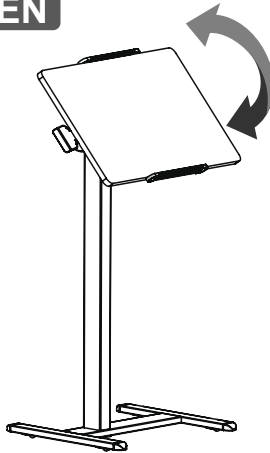


Always raise the ledge **BEFORE** using the tilting function.

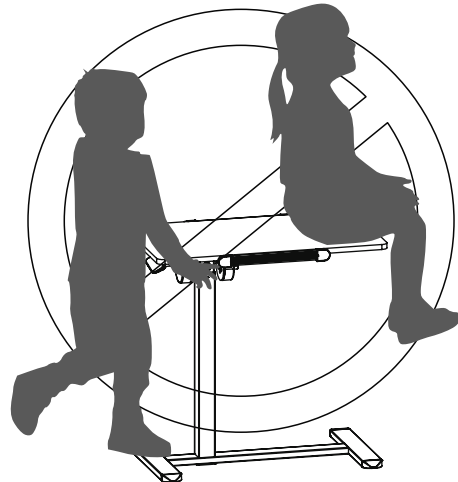
FIRST



THEN

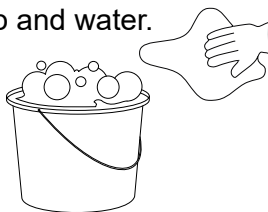


Do not allow small children to play with the unit or to manipulate the height and tilting functions without your supervision.



CARE AND MAINTENANCE

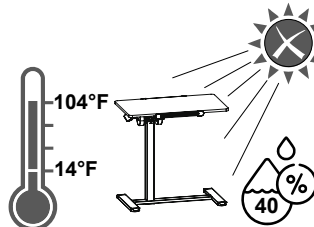
Clean with a soft cloth lightly dampened in a solution of smooth soap and water.



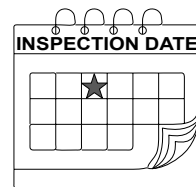
Do not use solvents or abrasive materials.



Do not expose to direct sunlight or to extreme environmental conditions.



Inspect the unit throughly every 4 months and re-tighten the screws.



LIMITED WARRANTY



For details, please visit our website:
Technimobili.com

To file a claim or request information, please email to:
warranty@rtaproducts.com

