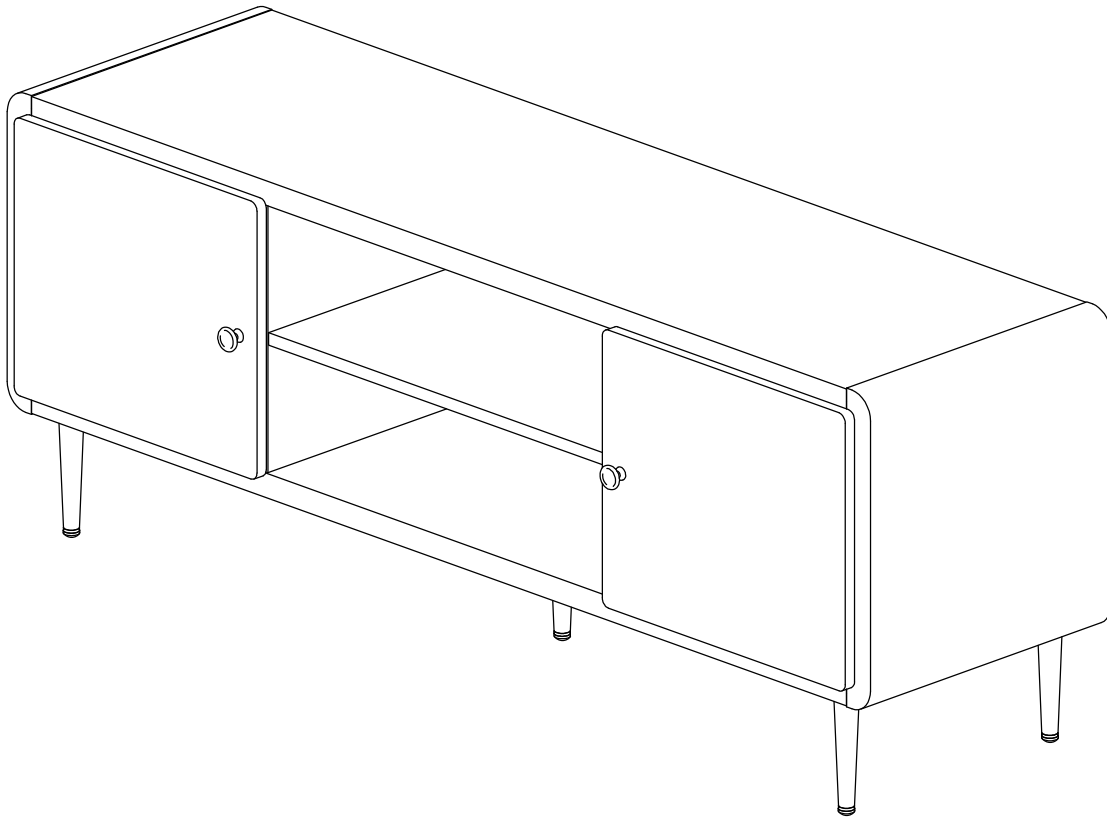


MODEL RTA-8848TV

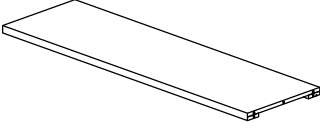
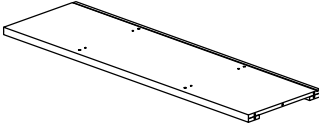
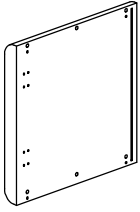
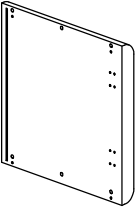
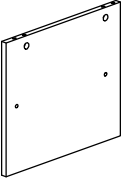
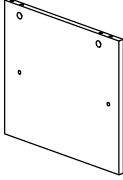
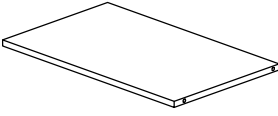
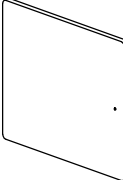
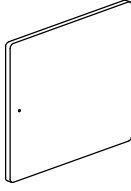
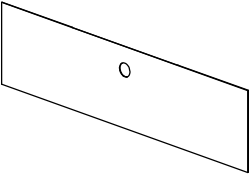
ASSEMBLY INSTRUCTIONS

(REV.1-FP-9310-1125)

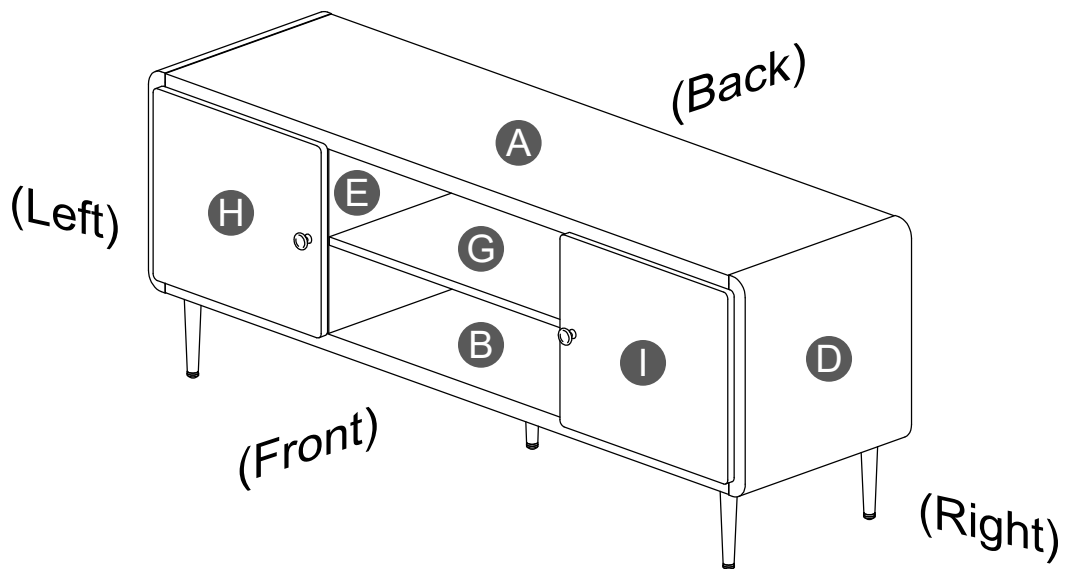


Thank you for purchasing our product!


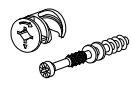



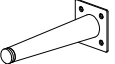
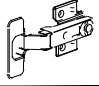
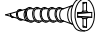


MAIN PARTS LIST

<p>A Top</p> 	<p>B Bottom</p> 	<p>C Left side</p> 	<p>D Right side</p> 
<p>E Middle-Left</p> 	<p>F Middle-Right</p> 	<p>G Shelf</p> 	<p>H Left door</p> 
<p>I Right door</p> 	<p>J Back</p> 		

Main parts Layout (For Reference and orientation)





Hardware

PART	QTY.	ITEM	
1	24Pcs	Dowel	
2	12Sets	Cam Lock & Bolt Sets	
3	4Pcs	ST5 x 40mm	
4	2Pcs	Handle 1604	
5	2Pcs	M4x18mm Screw	
6	5Pcs	Leg LG9023	
7	4Pcs	Door Hinge	
8	44Pcs	ST3.5 x 16mm	
9	6Pcs	Nail	
10	4Pcs	Cam lock Covers	

Tools required (Not included)

Phillips Screwdriver  

Hammer or mallet  Or: 

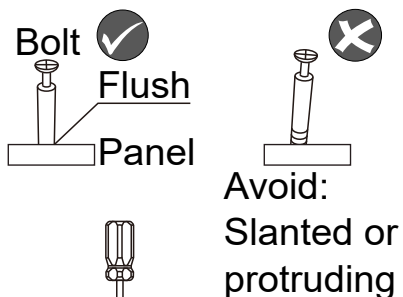


Bolt **Cam lock**

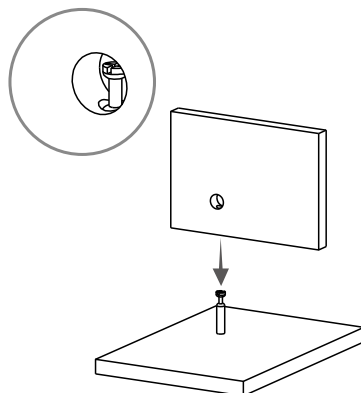
In some of the assembly steps you will use bolts and cam locks (also known as mini-fix). If you are not familiar with this kind of hardware, the below is a tutorial that explains how to use them.

The instructions below are **ONLY A TUTORIAL** for bolts and cam locks. The actual assembly starts on the next page.

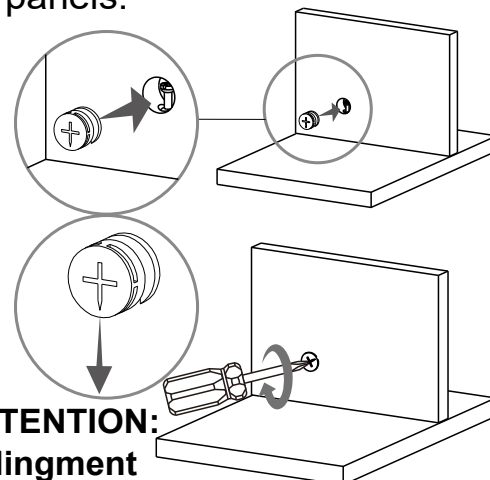
1. Install the bolt into the first panel.



2. Join the second panel by inserting it into the bolt of the first panel.



3. Insert the cam lock and turn it to lock both panels.

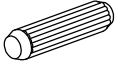


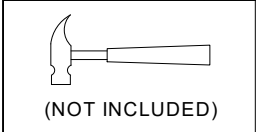
- We recommend using blankets or tablecloths to protect the product's finish during assembly.
- Some of the steps might require 2 people.
- Do not overtight any screws.

ASSEMBLY STEPS

STEP 1

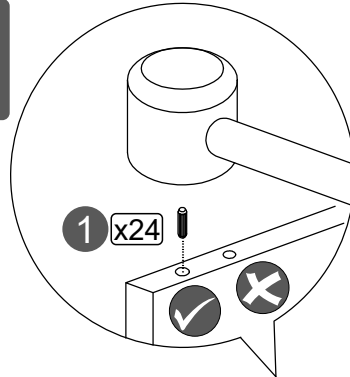
Hardware/Tools:

1		24 Pcs
Dowel		

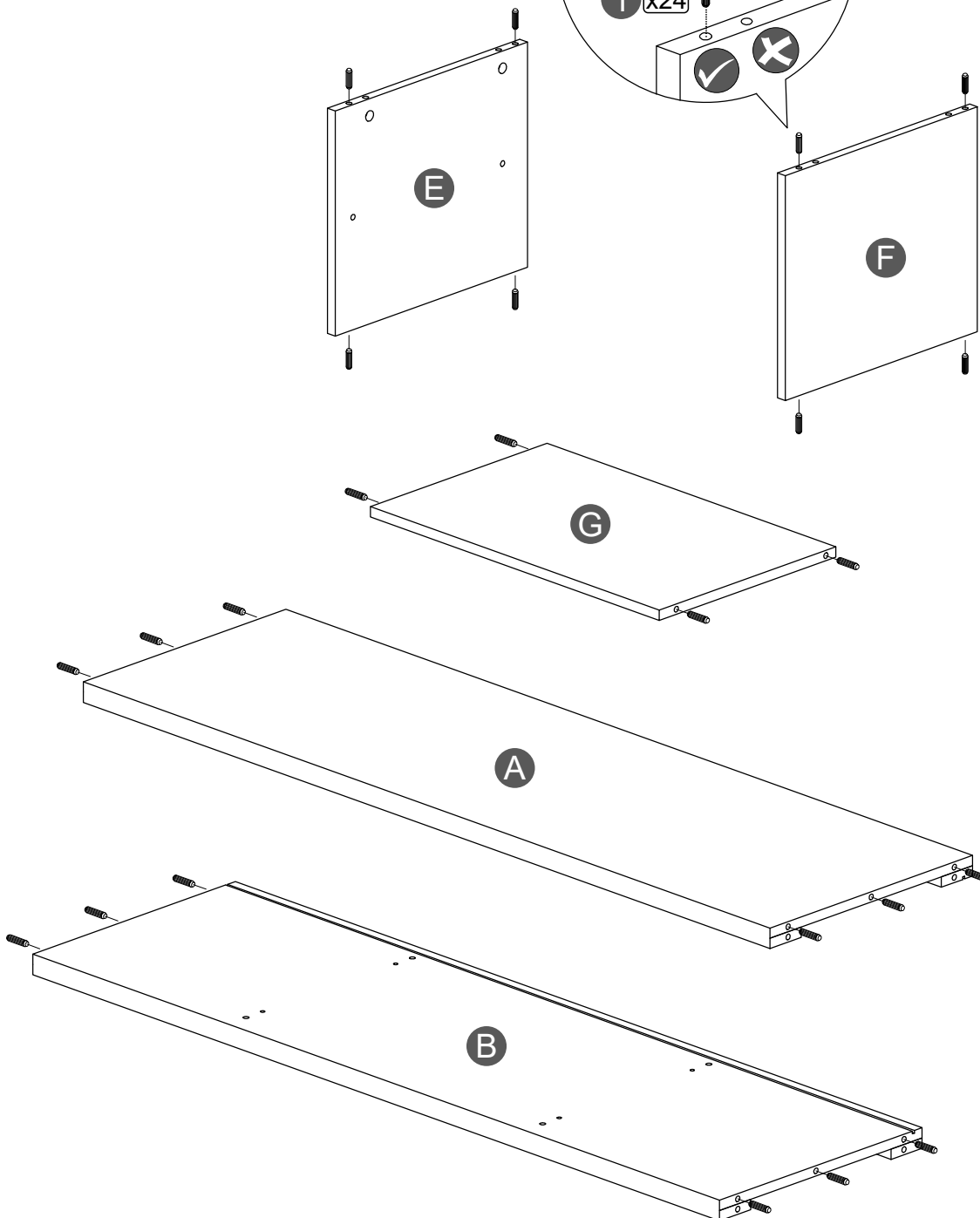


Install #1 into the indicated holes on A, B, E, F and G.

TIP! Use blankets to protect the product's finish during assembly.



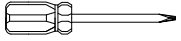
Pay attention to the correct holes.



STEP 2

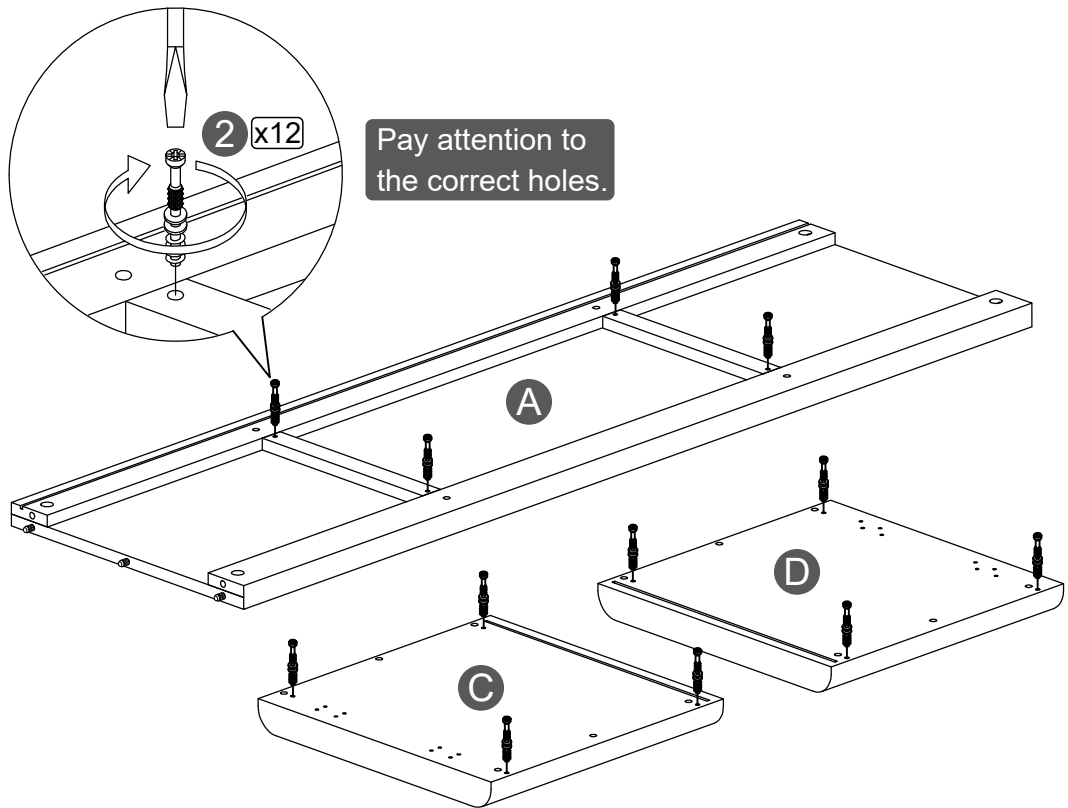
Hardware/Tools:

2 Bolt 12 Pcs



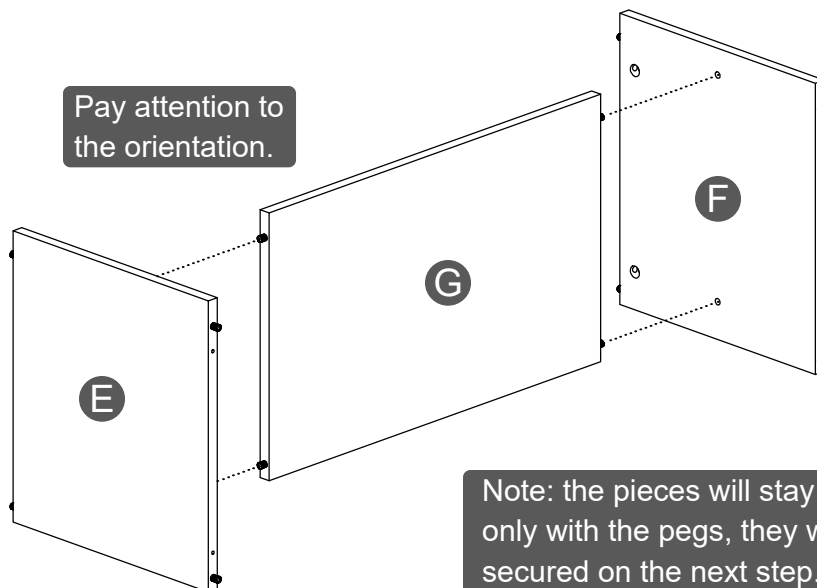
(NOT INCLUDED)

Install bolts #2 into the indicated holes on A, C and D.



STEP 3


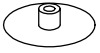
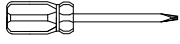
Join E, F and G as indicated.



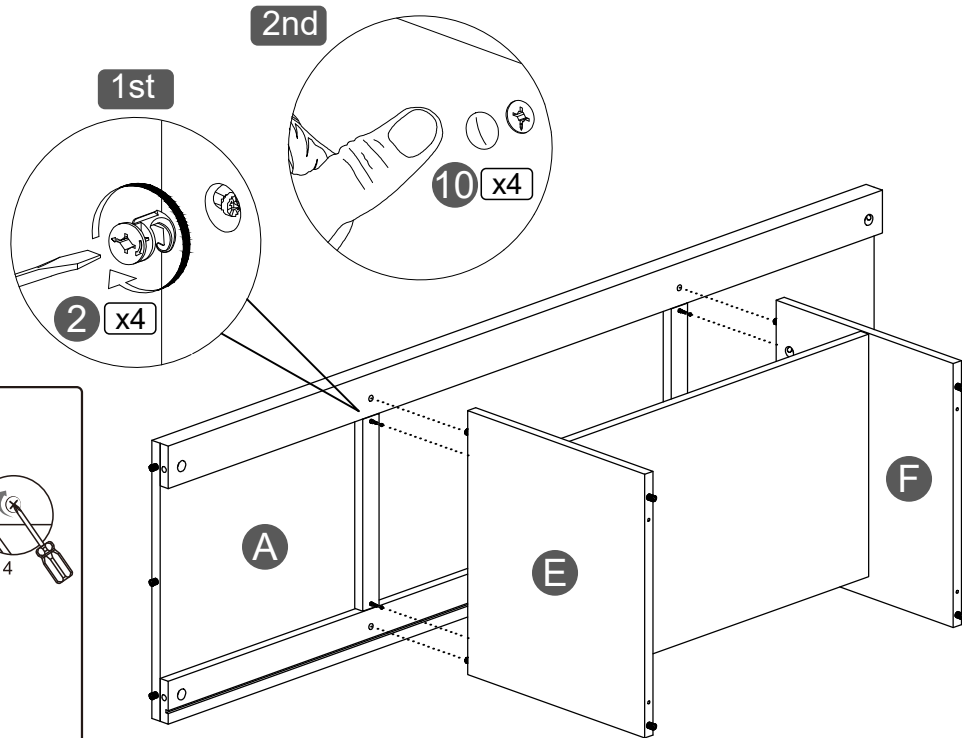
Note: the pieces will stay joined only with the pegs, they will get secured on the next step.

STEP 4

Hardware/Tools:

2		4 Pcs
10		4 Pcs
 (NOT INCLUDED)		

1st: Use cam locks #2 to assemble E-F to A as explained in the Tutorial.
 2nd: Cover the camlocks with #10.

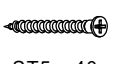
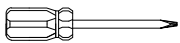


Refer to the Tutorial Page

Alignment and turn

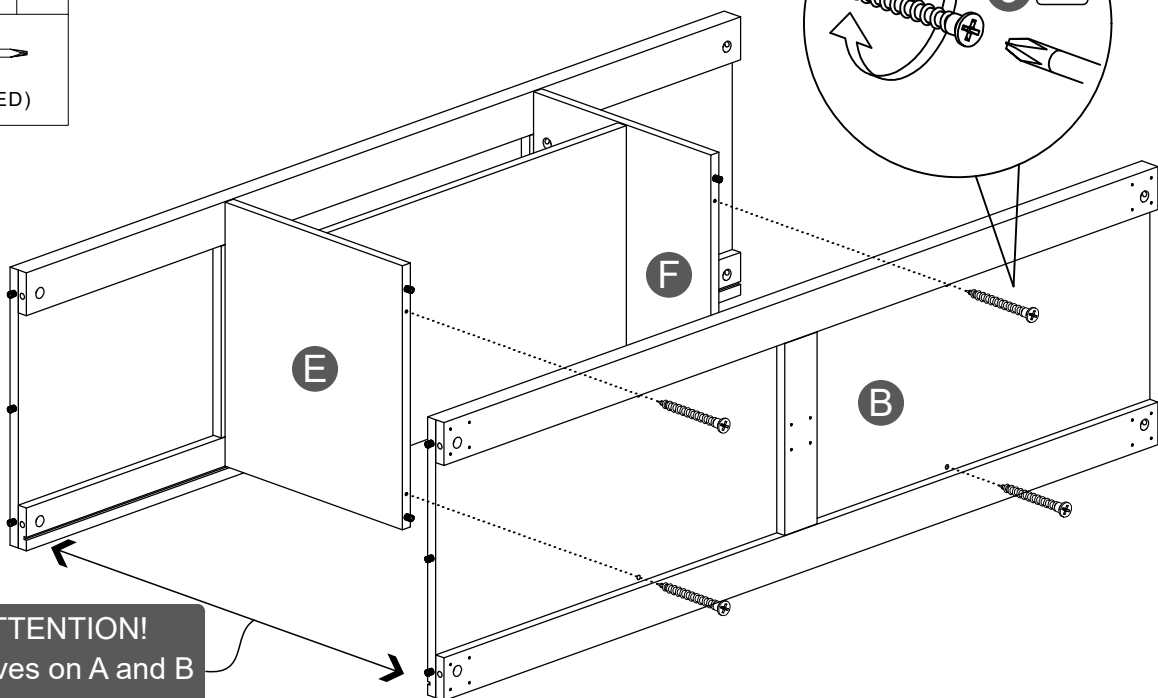
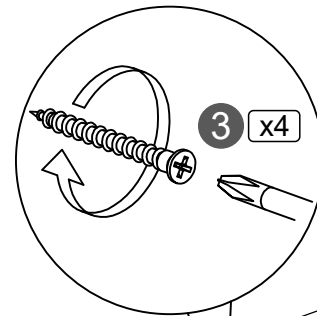
STEP 5

Hardware/Tools:

3		4 Pcs
ST5 x 40		
 (NOT INCLUDED)		

Use #3 to assemble B to E-F as indicated.

This step requires of 2 people 

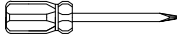


⚠ PAY ATTENTION!
 The grooves on A and B
MUST face each other.

STEP 6

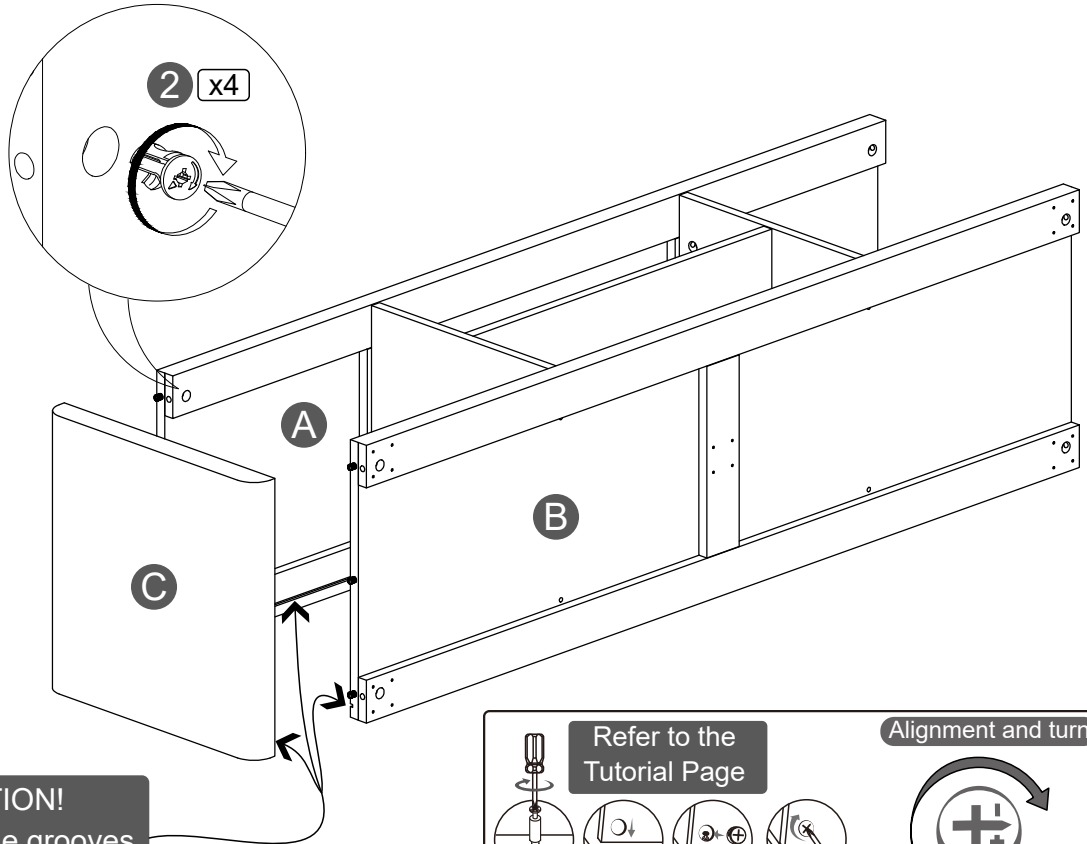
Hardware/Tools:

2  4 Pcs



(NOT INCLUDED)

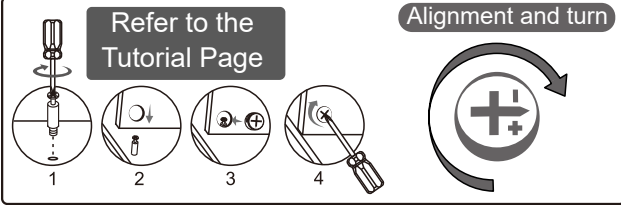
Use cam locks #2 to assemble C to A and B as explained in the Tutorial.



⚠ PAY ATTENTION!
Make sure all the grooves
A-B-C coincide!

Refer to the Tutorial Page

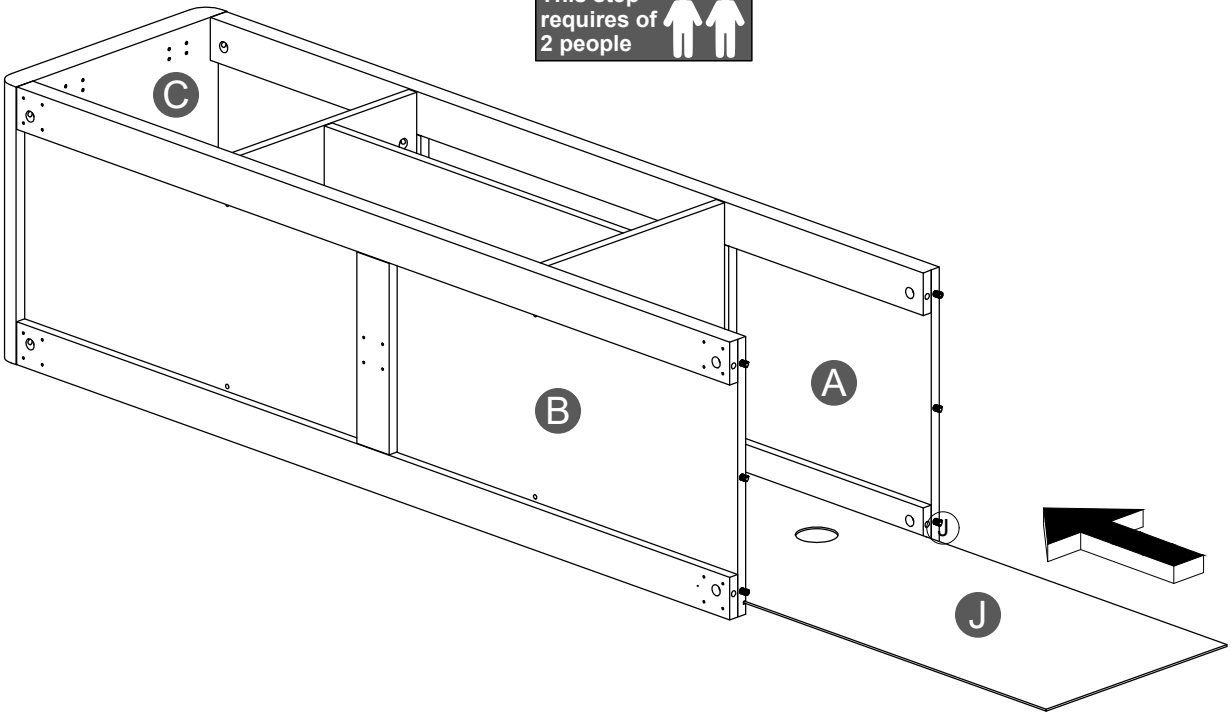
Alignment and turn



STEP 7

Slide J through the grooves of A and B, and insert it into C.

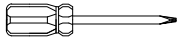
This step requires of 2 people 



STEP 8

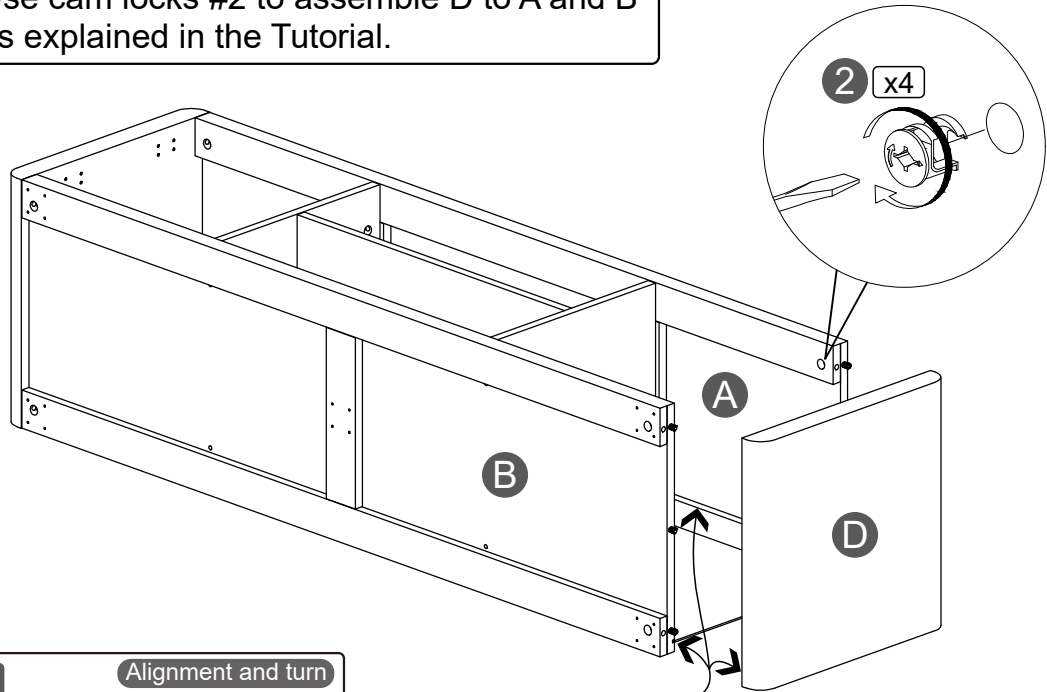
Hardware/Tools:

2  4 Pcs



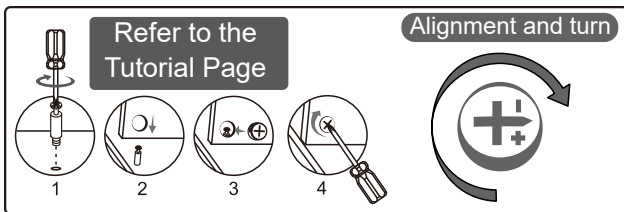
(NOT INCLUDED)

Use cam locks #2 to assemble D to A and B as explained in the Tutorial.



Refer to the Tutorial Page

Alignment and turn



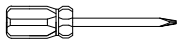
⚠ PAY ATTENTION!
Make sure all the grooves A-B-D coincide!

STEP 9

Hardware/Tools:

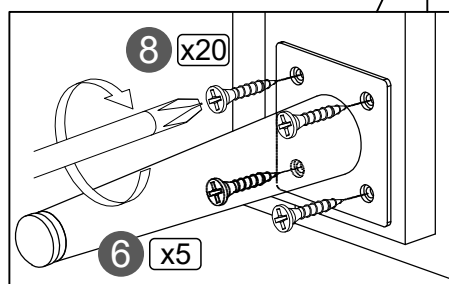
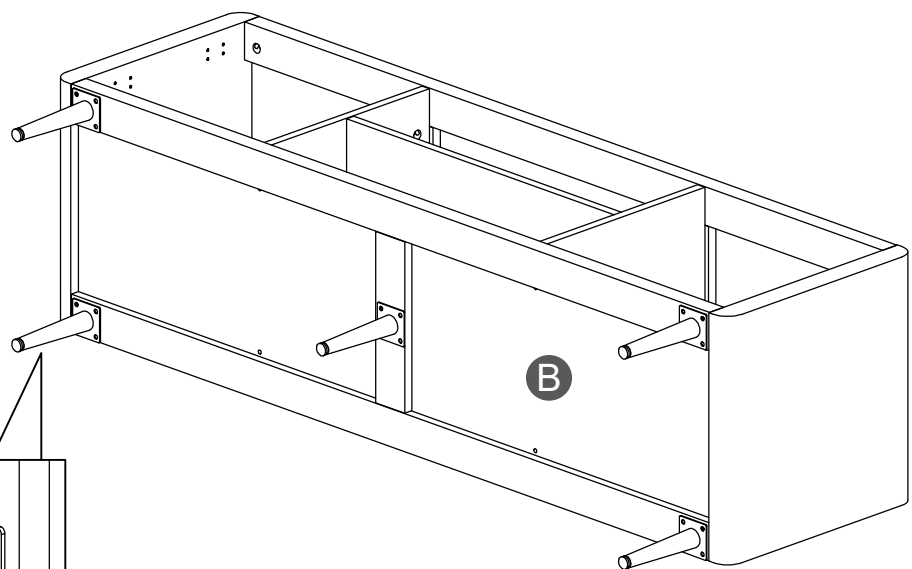
6  5 Pcs

8  20 Pcs
ST3.5 x 16



(NOT INCLUDED)

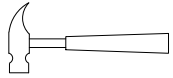
Use #8 to assemble the legs #6 to B as indicated.



STEP 10

Hardware/Tools:

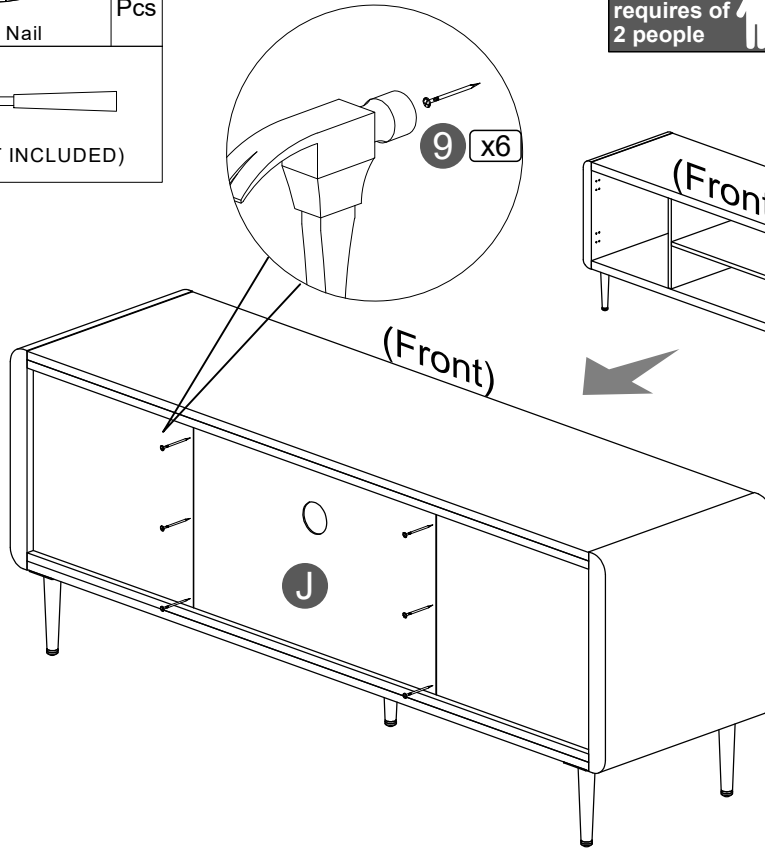
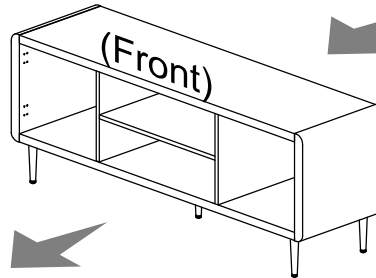
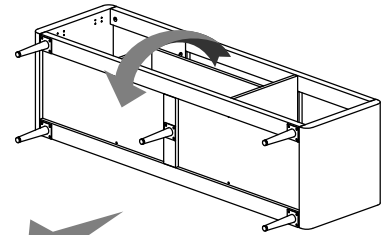
9		6 Pcs
---	---	-------



(NOT INCLUDED)

1st: Bring the unit upright.
2nd: Secure J on the back with nails #9.

This step requires of 2 people 



⚠ PAY ATTENTION!
Nail as straight as possible and centered on the frame to avoid the wood cracking or splitting.


STEP 11

Hardware/Tools:

4		2 Pcs
---	---	-------

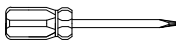
5		2 Pcs
---	---	-------

M4 x 18

7		4 Pcs
---	---	-------

8		8 Pcs
---	---	-------

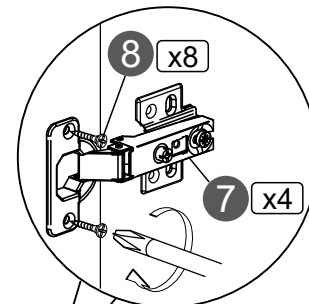
ST3.5 x 16



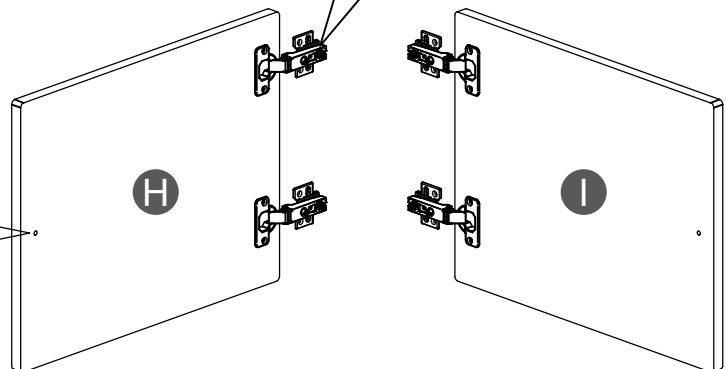
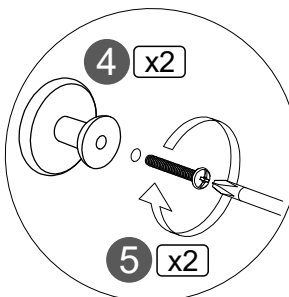
(NOT INCLUDED)

1st: Use #8 to attach #7 to H and I.
2nd: Use #5 to attach #4 to H and I.

1st



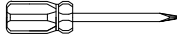
2nd



STEP 12

Hardware/Tools:

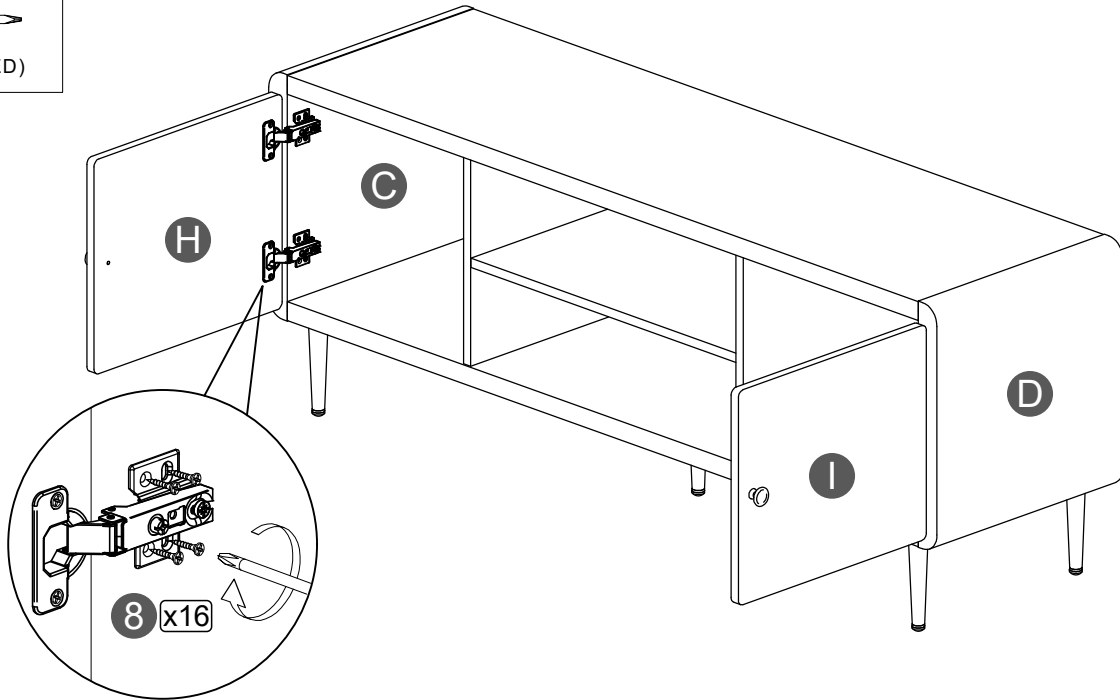
8 ST3.5 x 16 16 Pcs



(NOT INCLUDED)

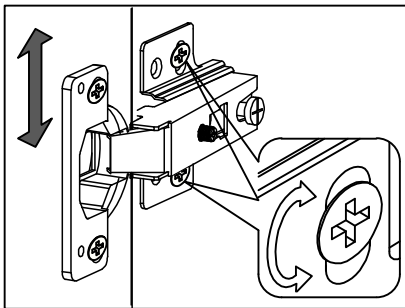
1st: Use #8 to install the doors H and I to their respective sides C and D.
2nd: If necessary, adjust the alignment of the doors as indicated below.

This step requires of 2 people

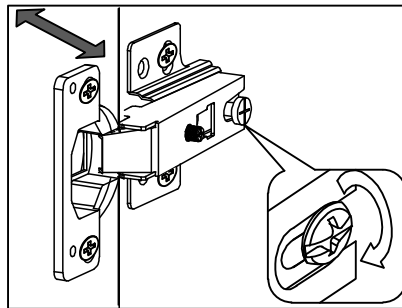


FINALLY: Adjust the doors if necessary.

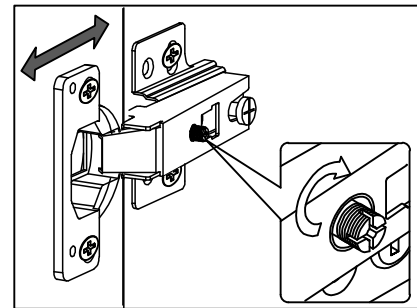
To adjust the height, loosen up these screws, align, then re-tighten



To adjust the depth, loosen up this screw, align, then re-tighten.

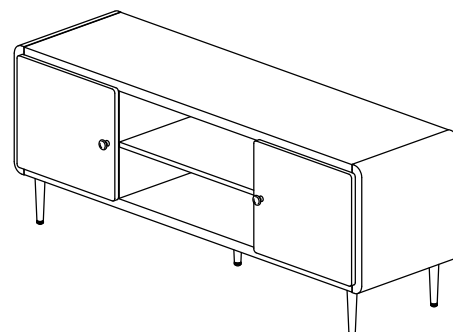


To adjust side-to-side, loosen up or tighten this screw.



ALL DONE!

Give yourself a nice pat on the back, you did a great job!

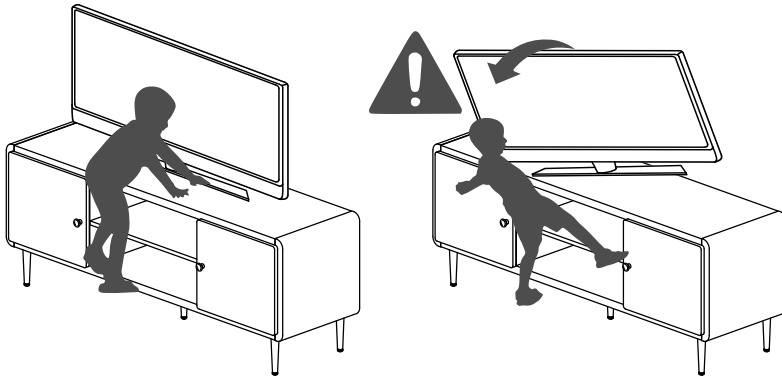


WARNINGS

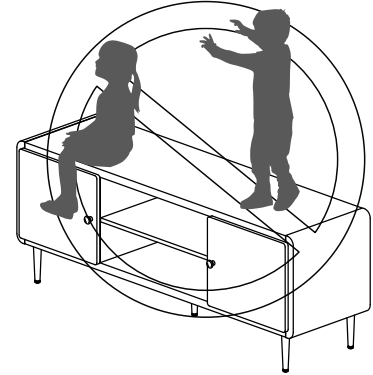
Not paying attention to the following warnings could result in injuries.

TIP-OVER WARNING!

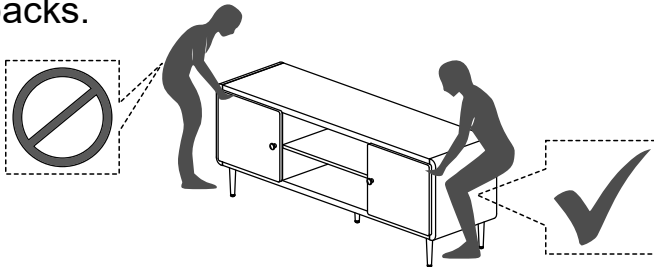
Always pay close attention to small children playing near the unit or if they are watching TV very close to it to prevent tip-over accidents.



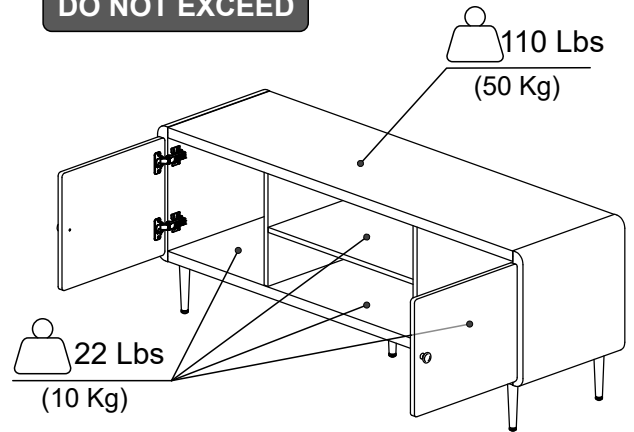
- Do not sit, climb or stand on the Unit.
- Do not allow children to play over or inside the unit.



- 2 persons are required for moving the unit at distances longer than 2 feet.
- Remove or secure your TV or any objects that might fall off during moving.
- Lift by bending your knees, not your backs.



**WEIGHT LIMITS
DO NOT EXCEED**

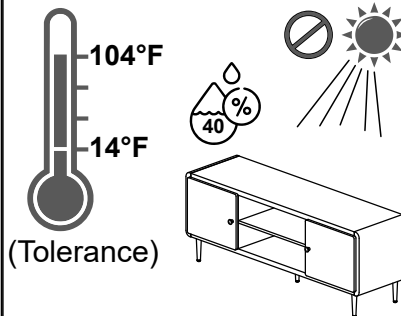


CARE AND MAINTENANCE

- Clean with a cloth lightly dampened in a solution of mild soap and water.
- Do not use solvents or abrasive materials.



Do not expose to direct sunlight or extreme environmental conditions.



Inspect and re-tighten any loose screws every 4 months.

