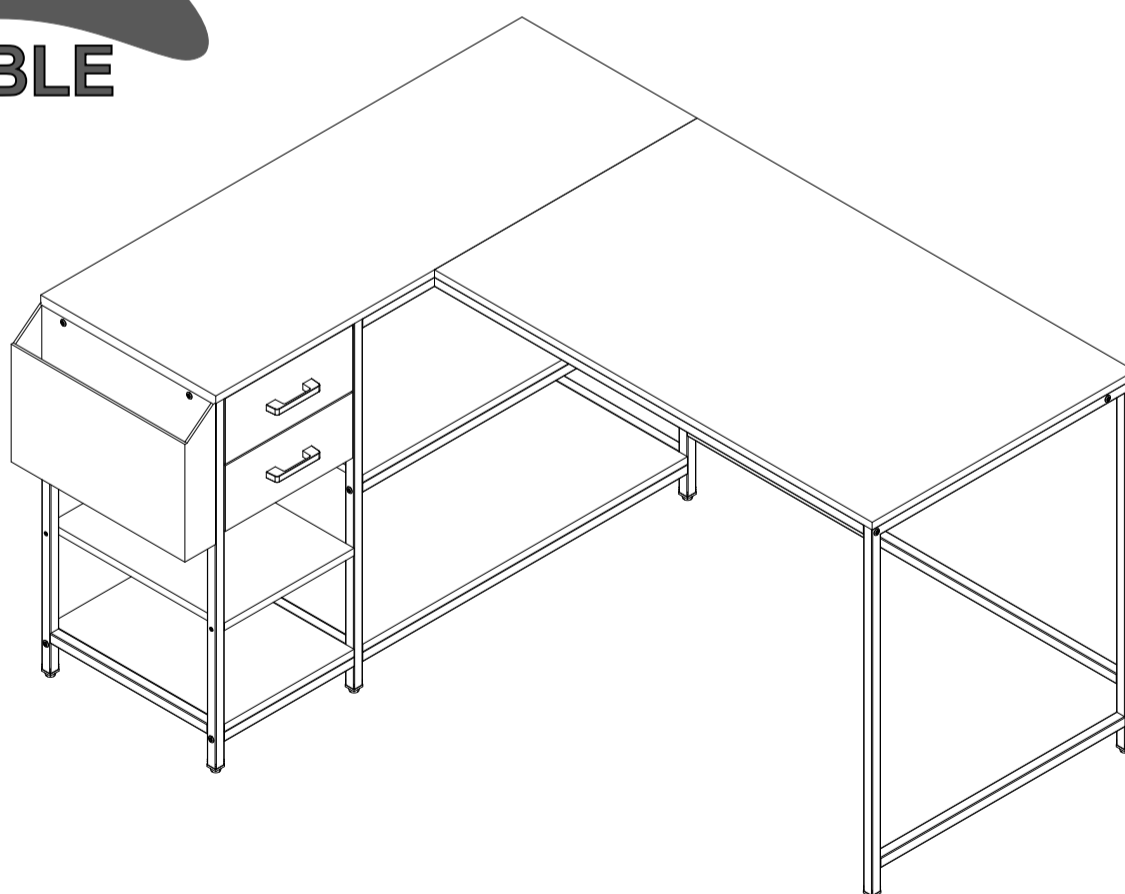
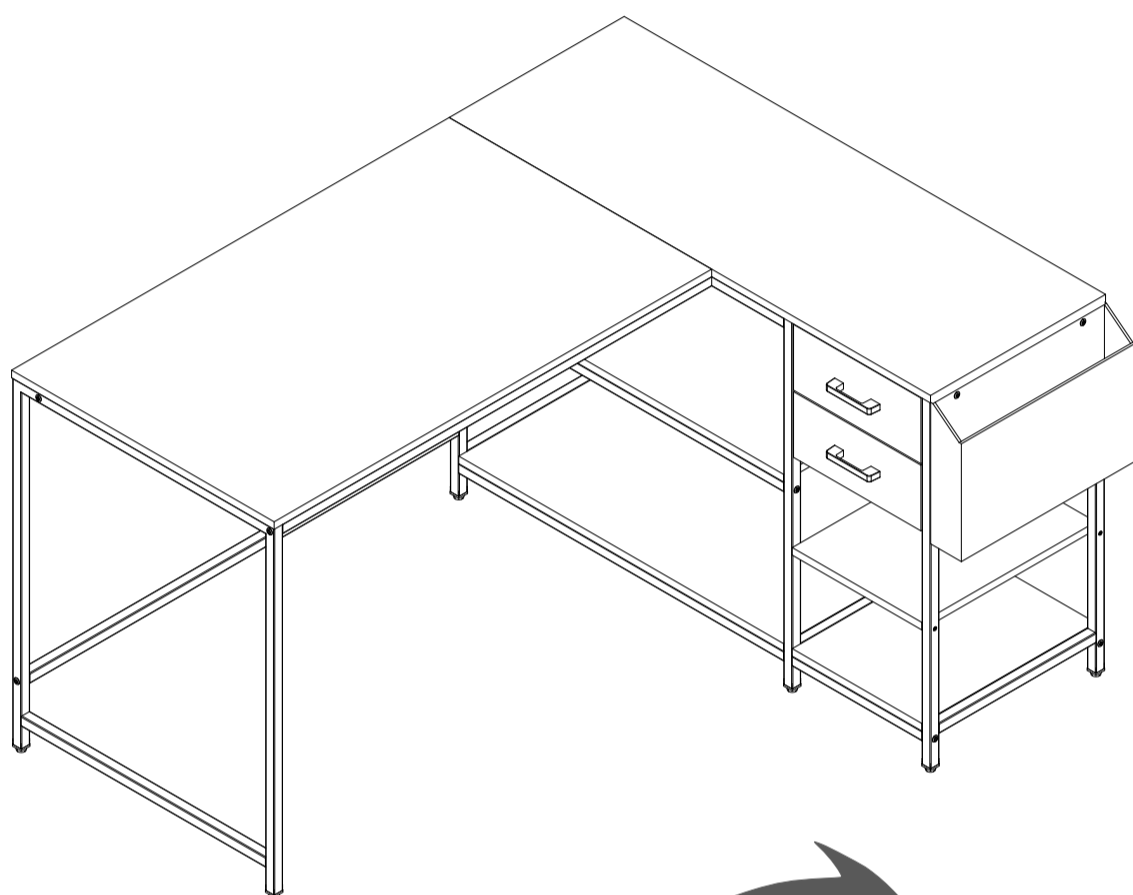
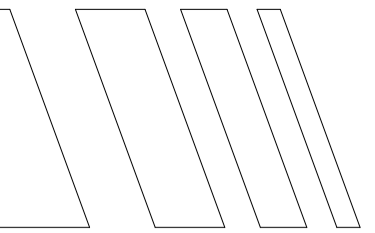


Assembly Instructions

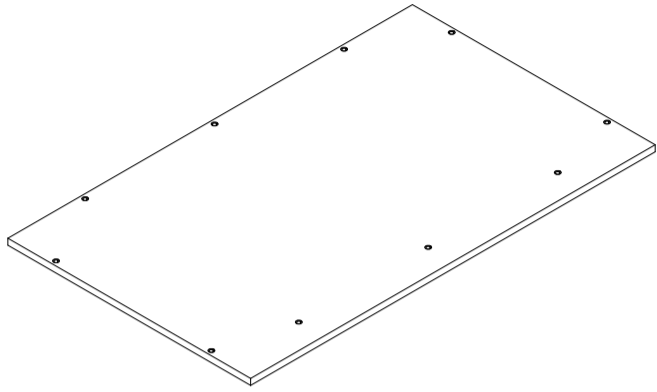
REV.1-PFT-8599-0125



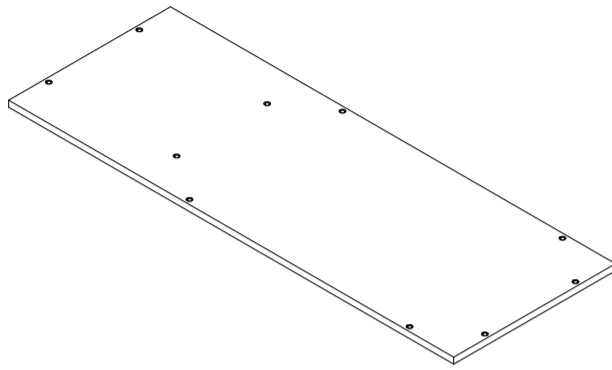


MAIN PARTS LIST

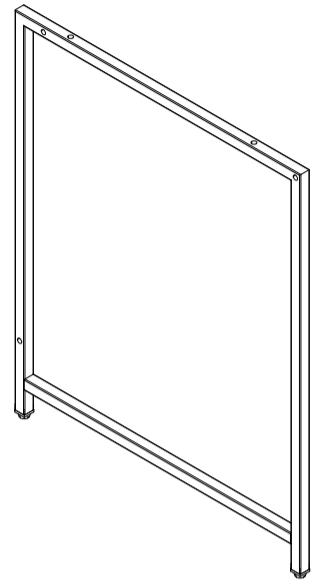
1 Large tabletop



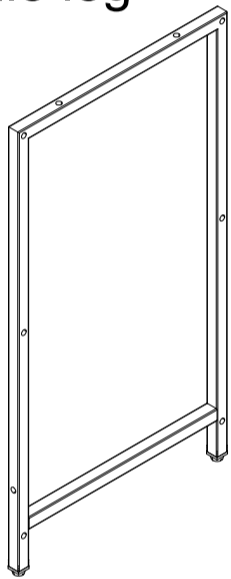
2 Small tabletop



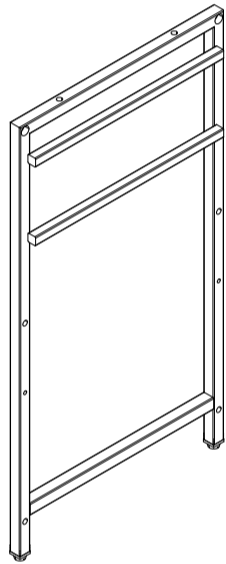
3 Wide leg



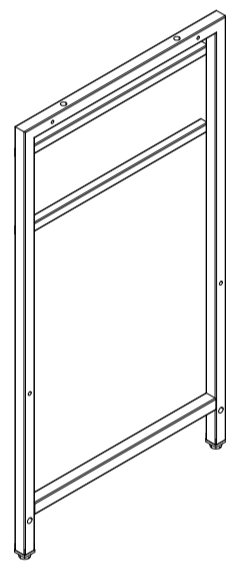
4 Middle leg



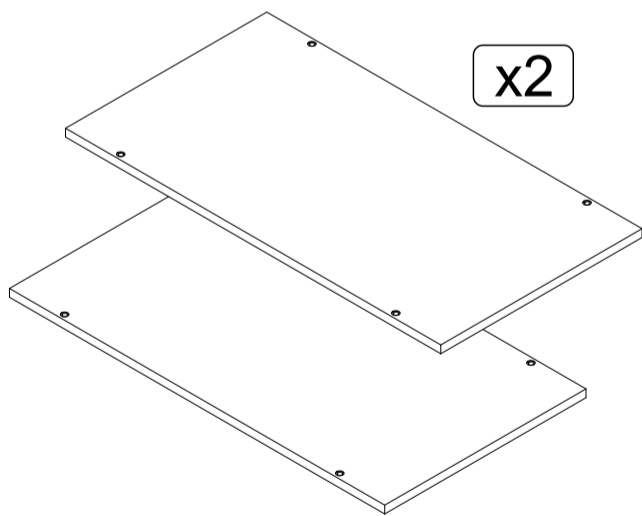
5 Inner storage leg



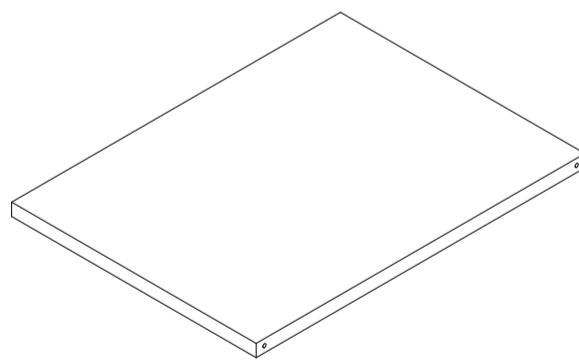
6 Outer storage leg



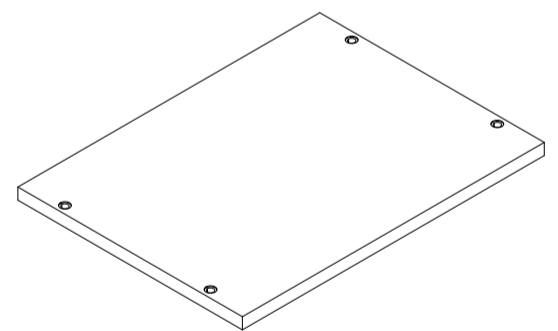
7 Large shelves



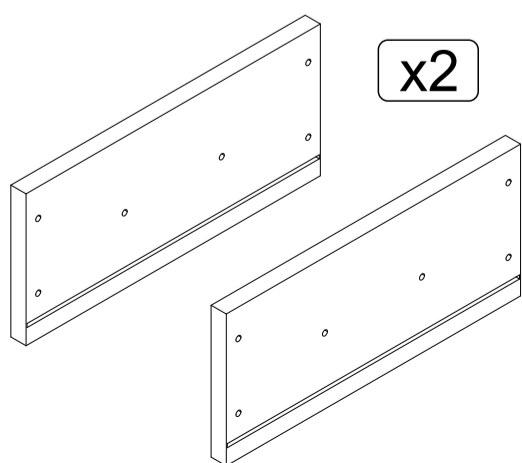
8 Small upper shelf



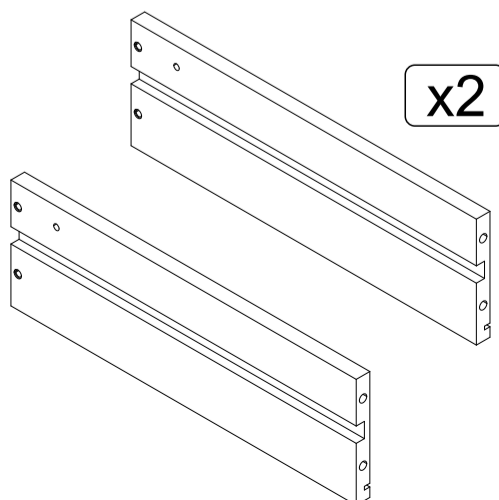
9 Small lower shelf



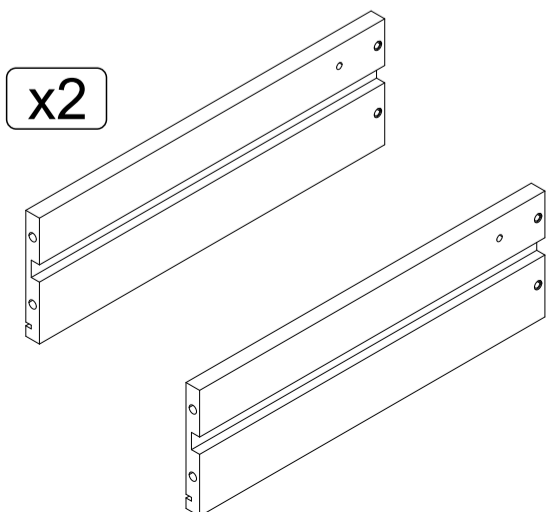
10 Drawer front



11 Drawer left

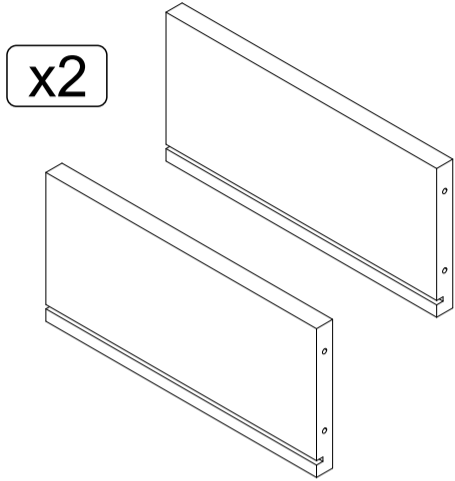


12 Drawer right

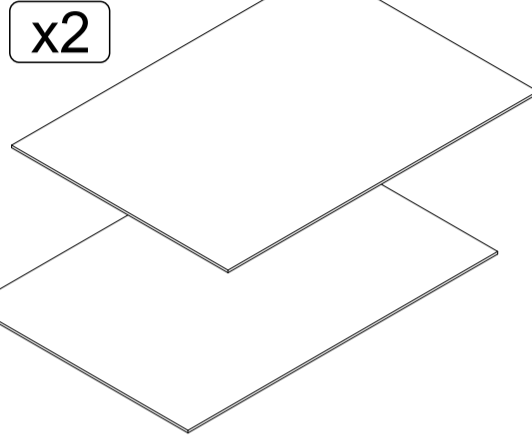


MAIN PARTS LIST

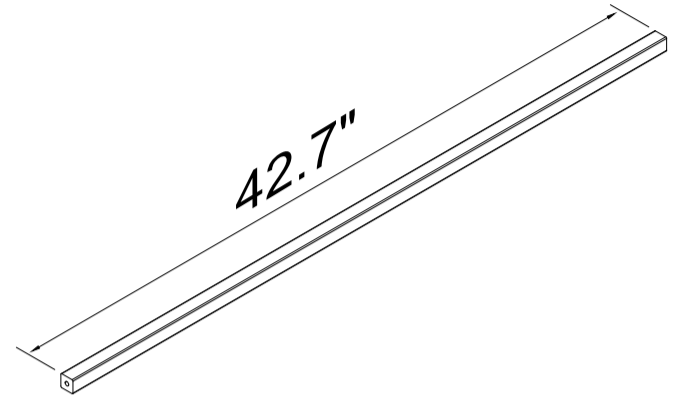
13 Drawer back



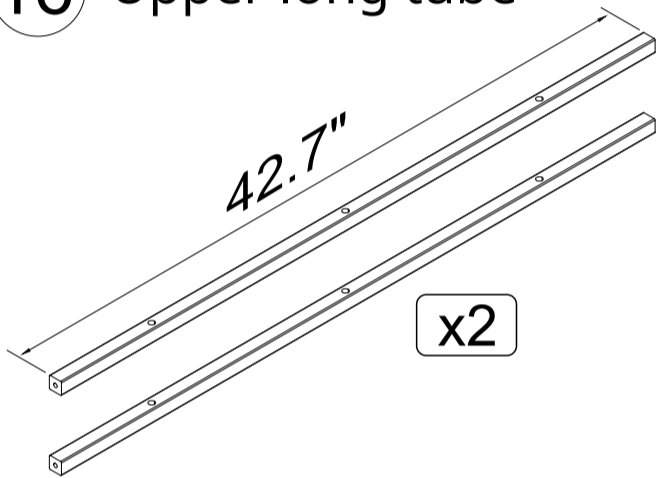
14 Drawer bottom



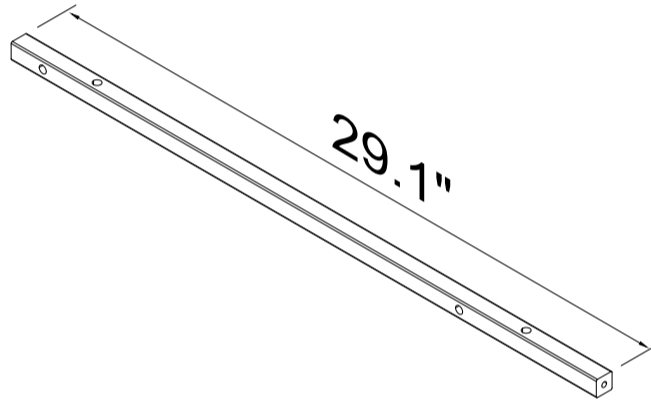
15 Lower long tube



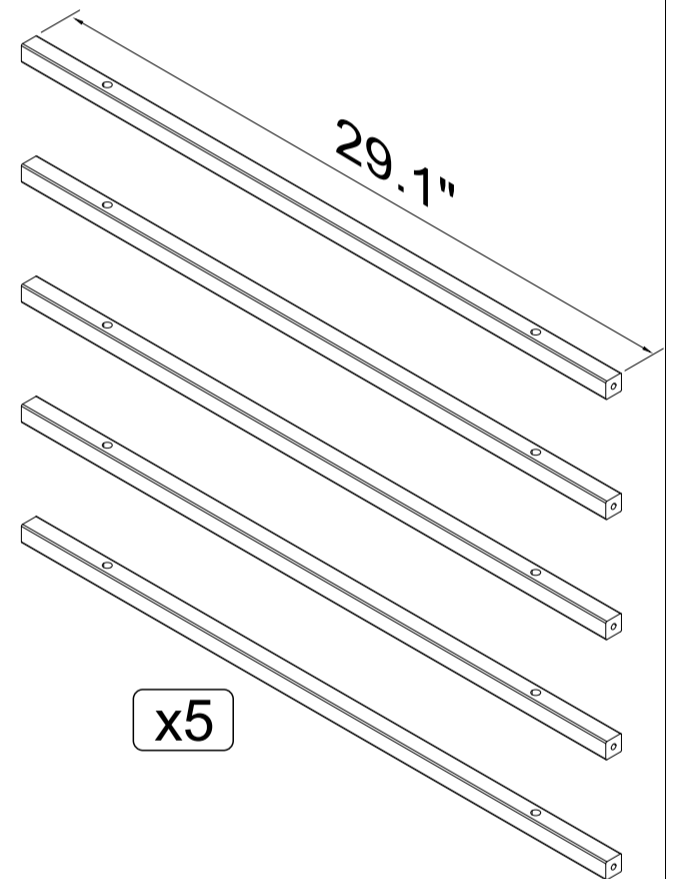
16 Upper long tube



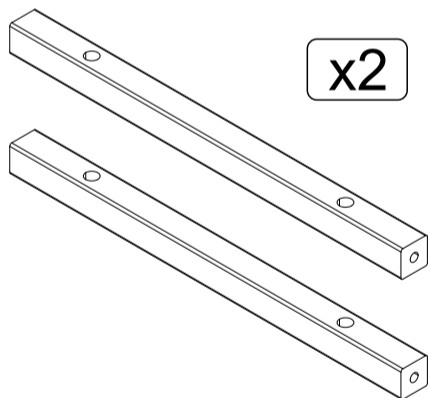
17 Upper-Front short tube



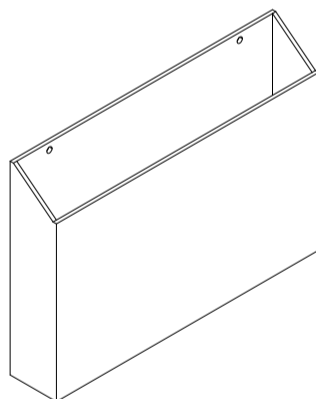
18 Shelves short tube



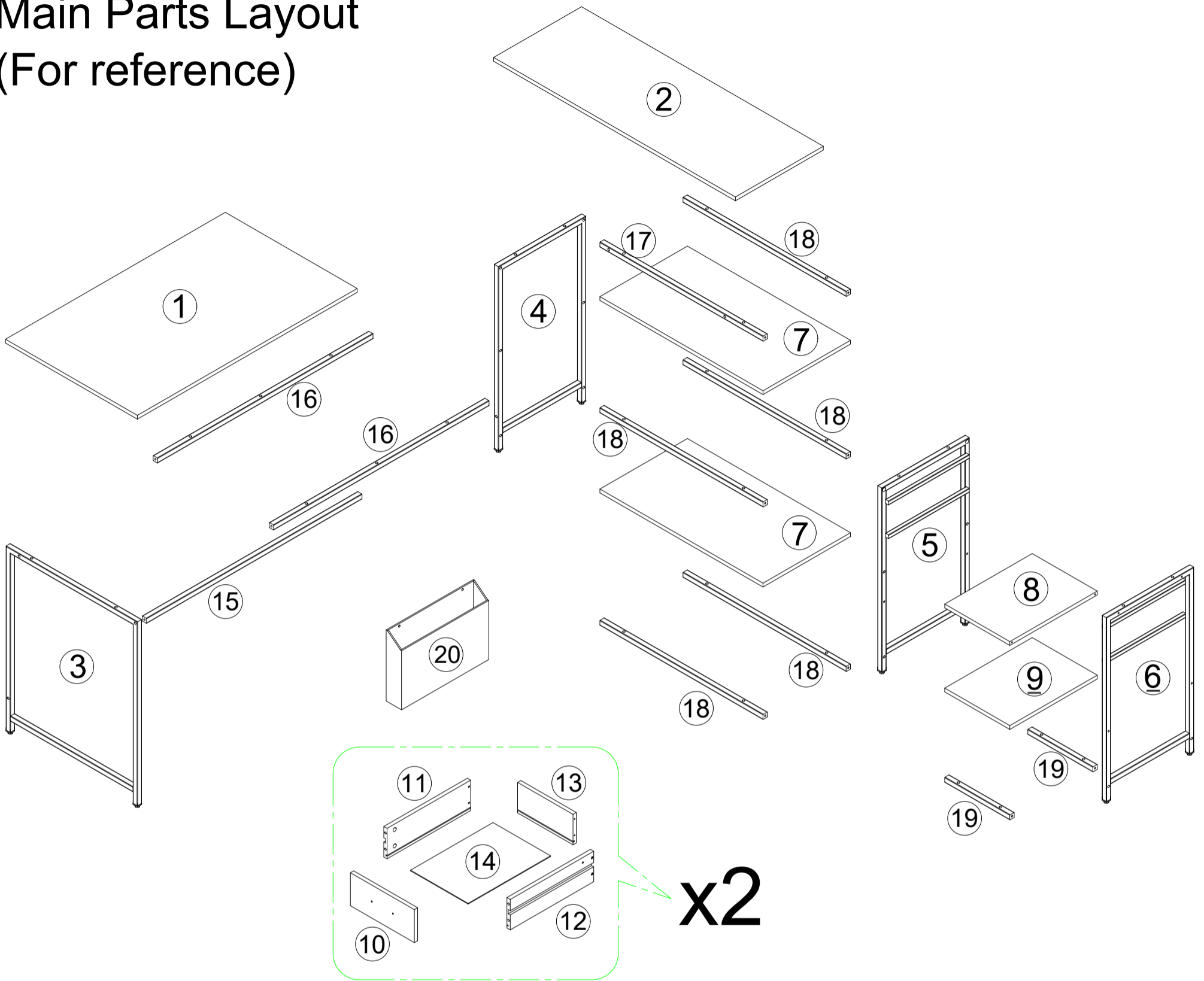
19 Lower short tube



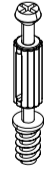






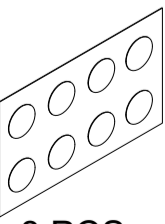
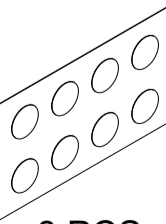

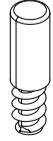
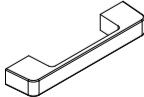
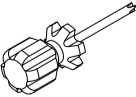
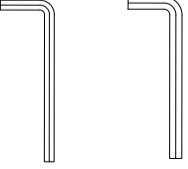
20 Side Hop-pocket



Main Parts Layout (For reference)



HARDWARE LIST

A M5x42  8 PCS	B Ø15x12  8 PCS	C M4x18  4 PCS	D M6x40  18 PCS	E M6x28  30 PCS	F M6x12  2 PCS	G M5x40  12 PCS
H Ø12X1  8 PCS	I Ø21X1  8 PCS	J M6(10+60)  2 PCS	K M5x18  4 PCS	L Handle  2 PCS	Phillips screwdriver  1 PC	M3 M4  1 PC 1 PC

GENERAL ASSEMBLY OF THE DRAWERS AND MIDDLE SHELF

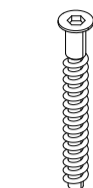
1

FIRST: Assemble #11 and #12 to #13 with screws G.

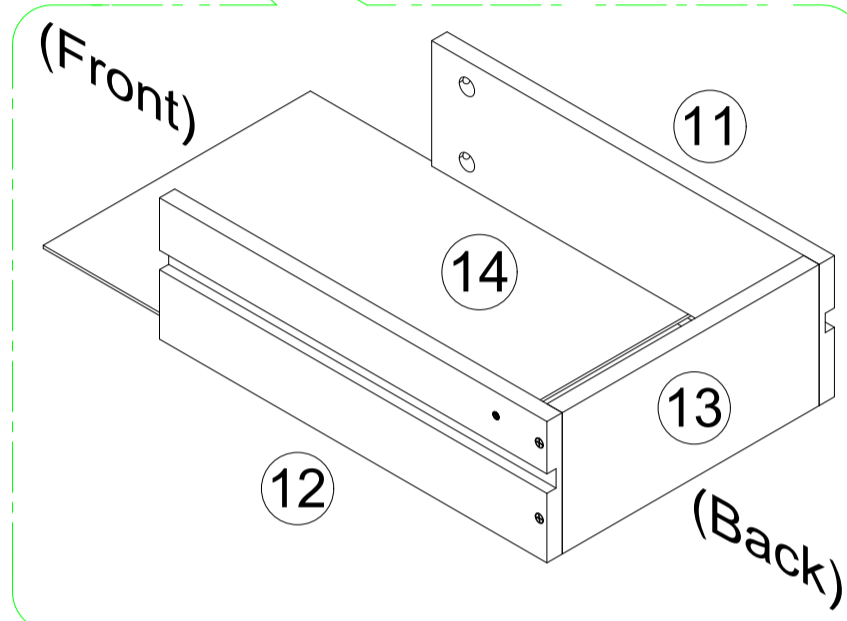
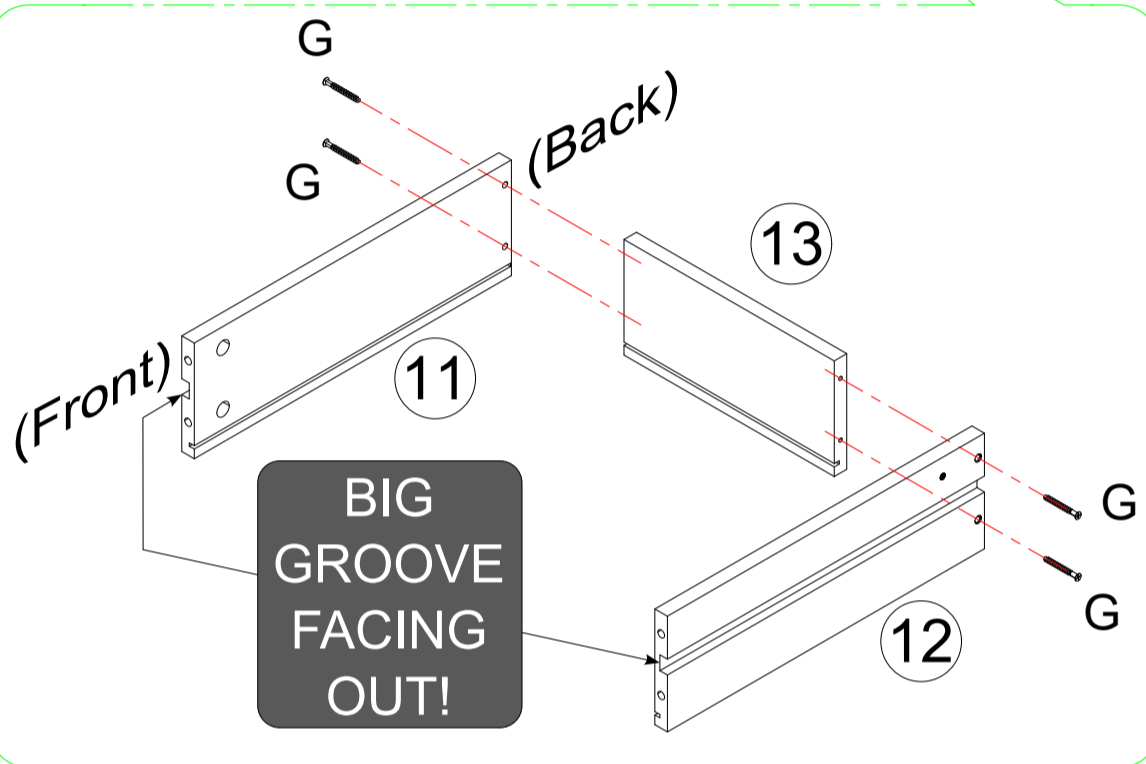
x2

x2

G M5x40



8 PCS



THEN: Slide #14 through #11 and #12 and into #13.

2

FIRST: Attach bolts A to #10 in the indicated holes.

THEN: Join #10 to #11 & #12, insert the cam locks B and turn them to lock the pieces.

A M5x42



8 PCS

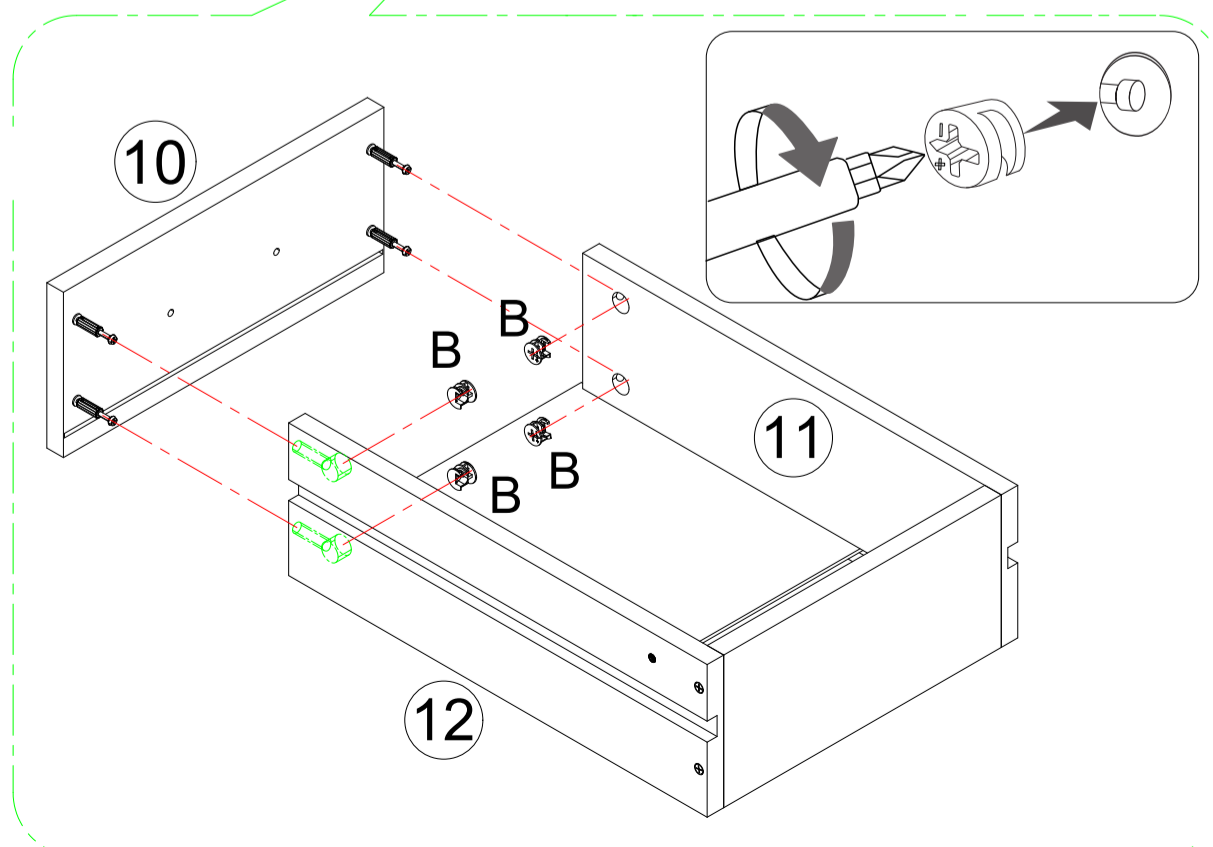
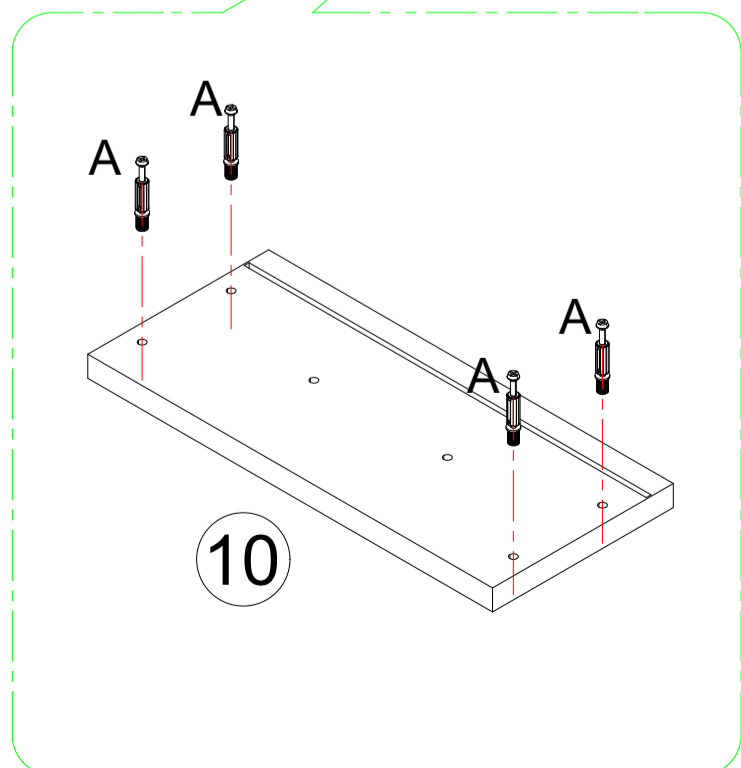
B Ø15x12



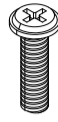
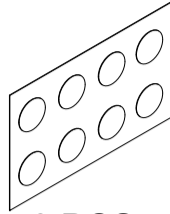
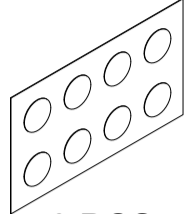
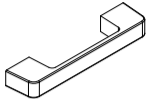
8 PCS

x2

x2



3

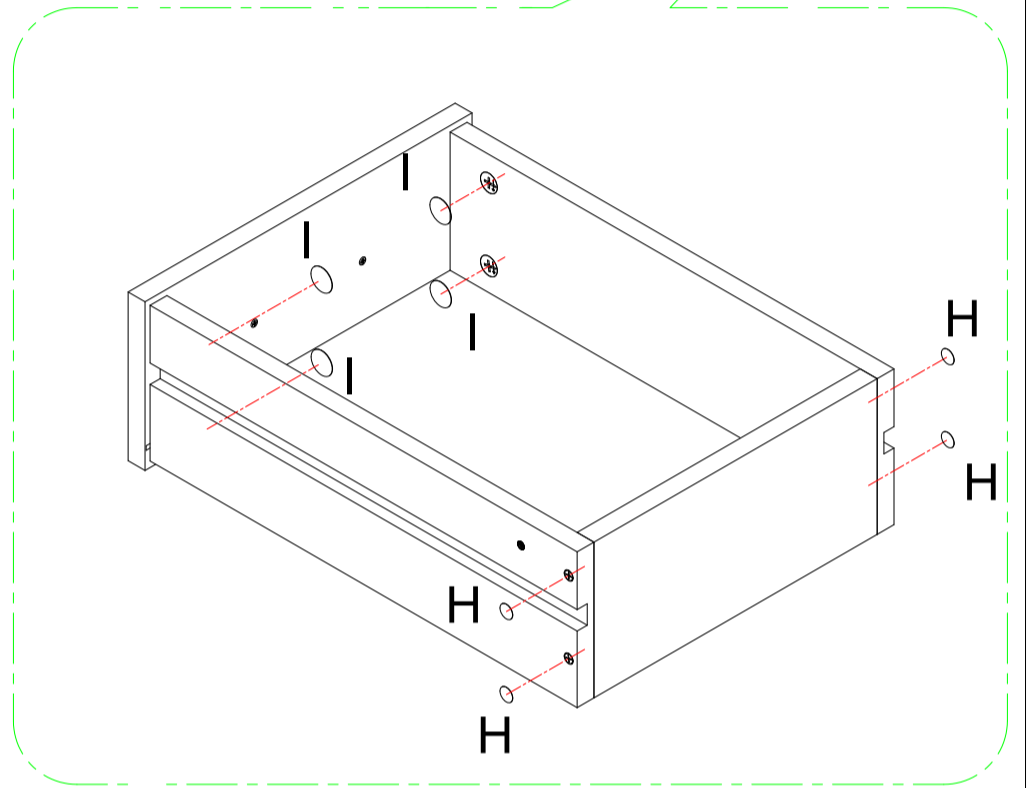
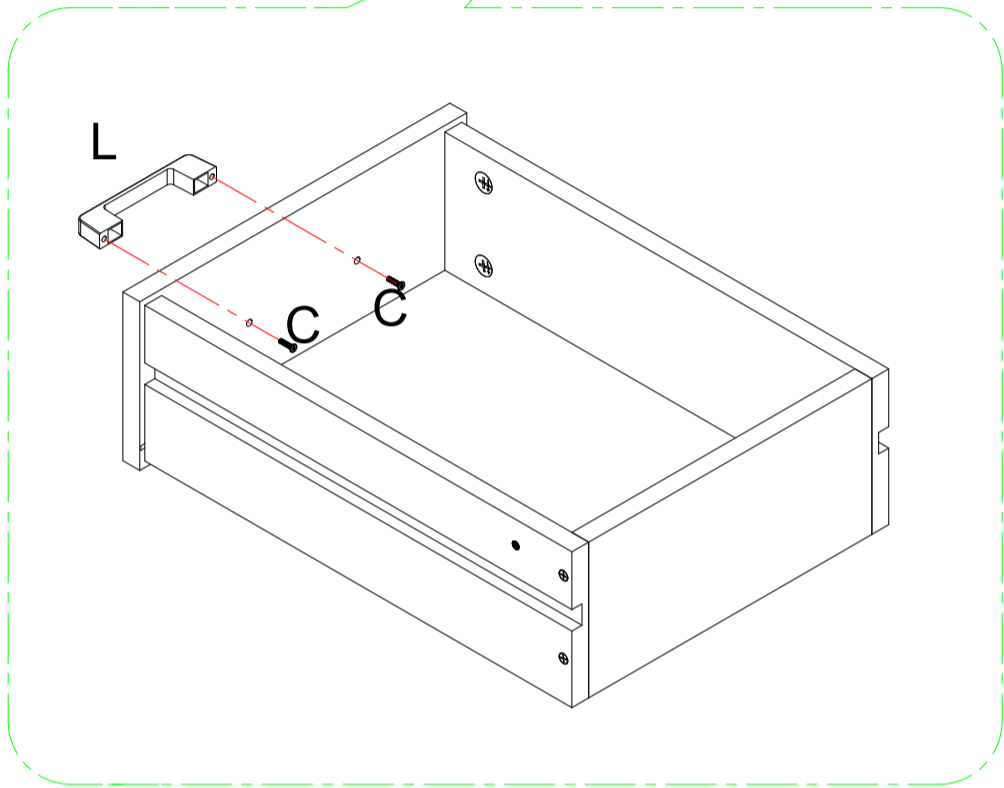
C M4x18	H Ø12X1	I Ø21X1	L
			
4 PCS	8 PCS	8 PCS	2 PCS

FIRST: Attach the handle L to #10 with screws C.

THEN: Cover the screws with H and the cam locks with I.


x2

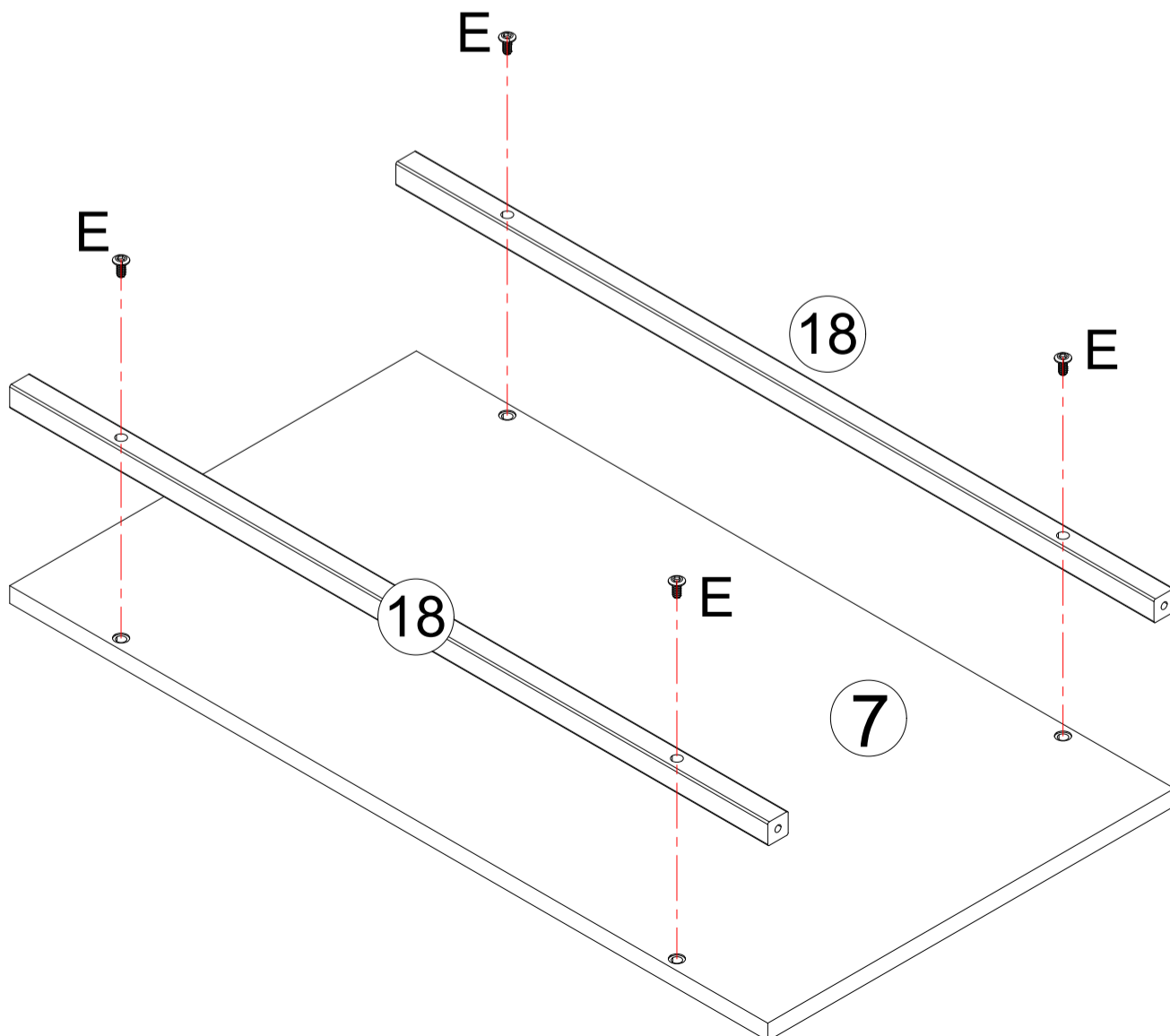
x2



4

Assemble #18 to #7 with screws E.

E M6x28

8 PCS



x2



CHOOSE YOUR OPTION

You can assemble this product either way.
Select your preference as illustrated below, and then follow the corresponding assembly steps.

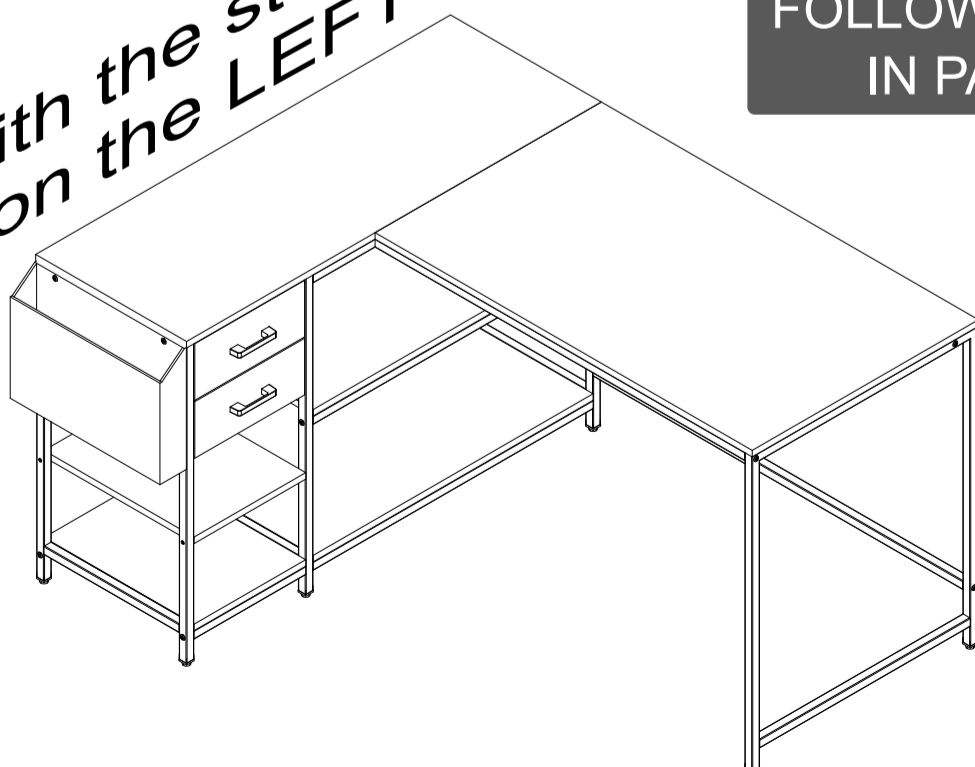
OPTION A:



FOLLOW STEPS A1 TO
A9 IN PAGES 8 to 12.

OPTION B:

With the storage
on the **LEFT**



FOLLOW STEPS B1 TO B9
IN PAGES 13 to 17.

ASSEMBLY STEPS FOR OPTION A

A1

D M6x40
10 PCS

THE TWO TUBES FACING OUT!

DO NOT SCREW HERE!

PAY ATTENTION TO THIS HOLE!

Use screws D to assemble in between #4 and #5:

- #17 at the TOP-FRONT.
- #18 at the TOP-BACK.
- Both #7 at the MIDDLE and BOTTOM.

A2

J M6(10+60)
2 PCS

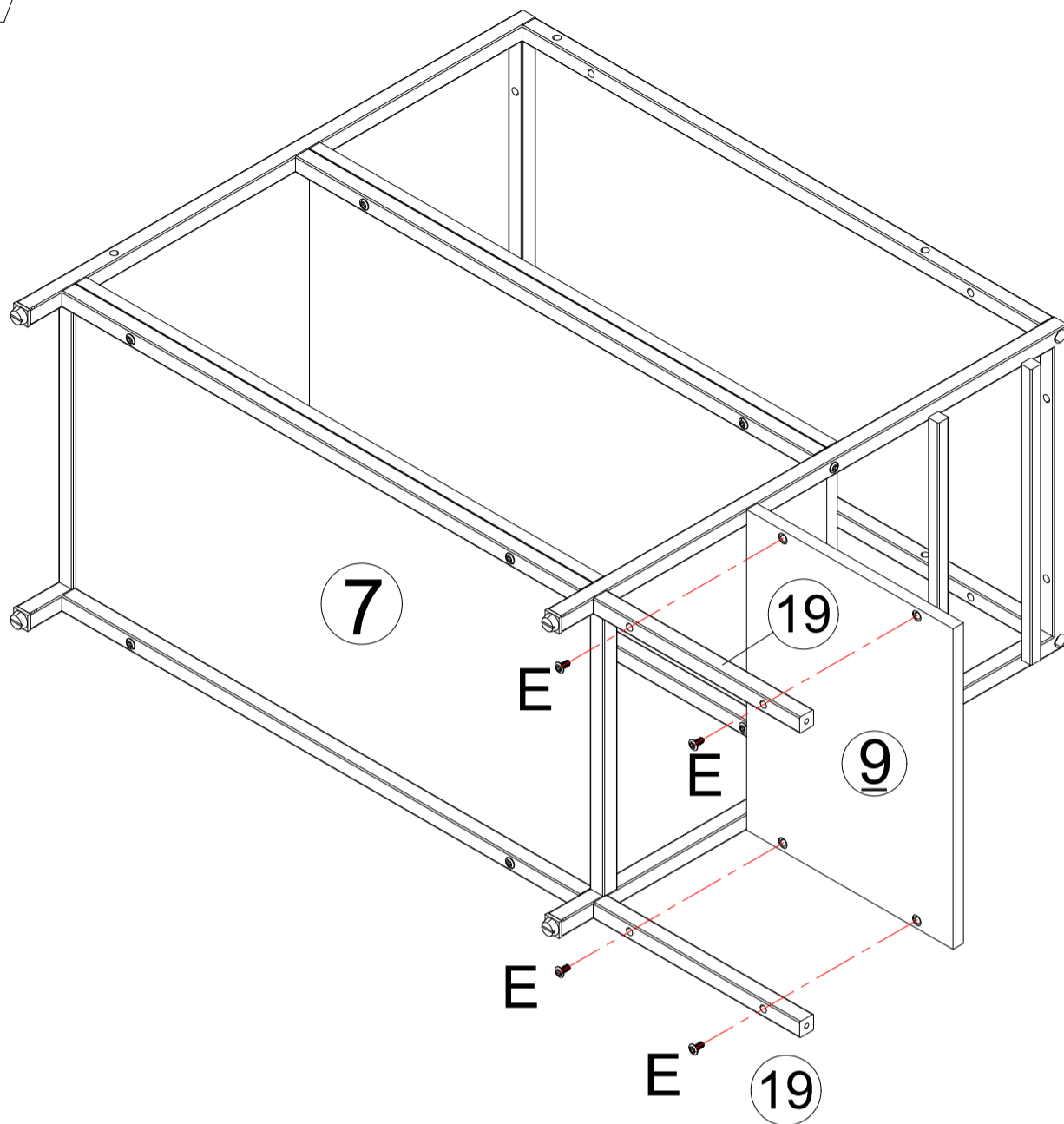
SHORT END OF J INTO #19

LONG END OF J INTO #18

THEN: Insert the screw from #19 through #5 and into #18.

x2

A3



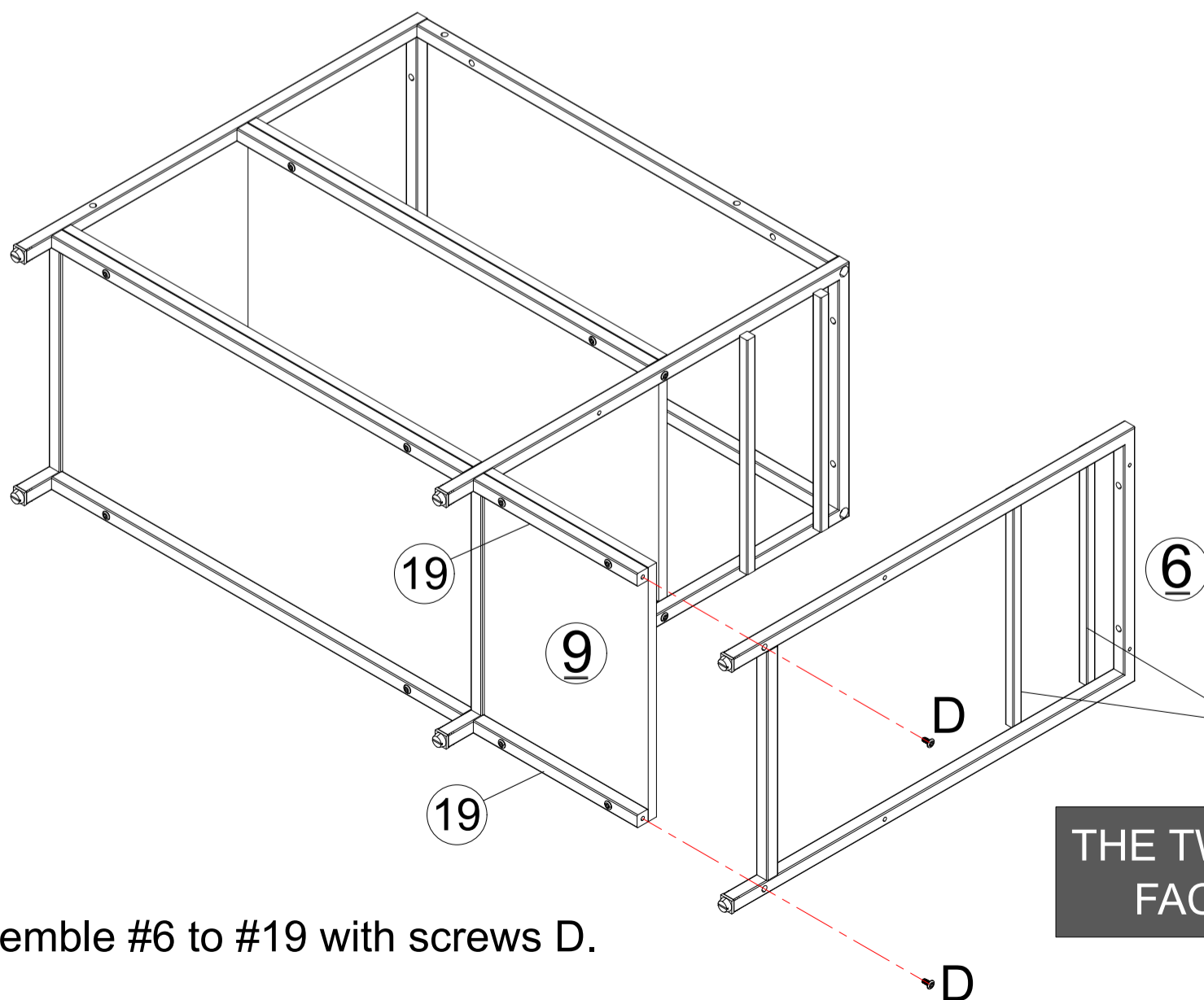
E M6x28



4 PCS

Assemble #9 to # 19
with screws E.

A4



D M6x40



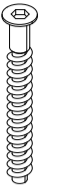
2 PCS

Assemble #6 to #19 with screws D.

THE TWO TUBES
FACING IN!

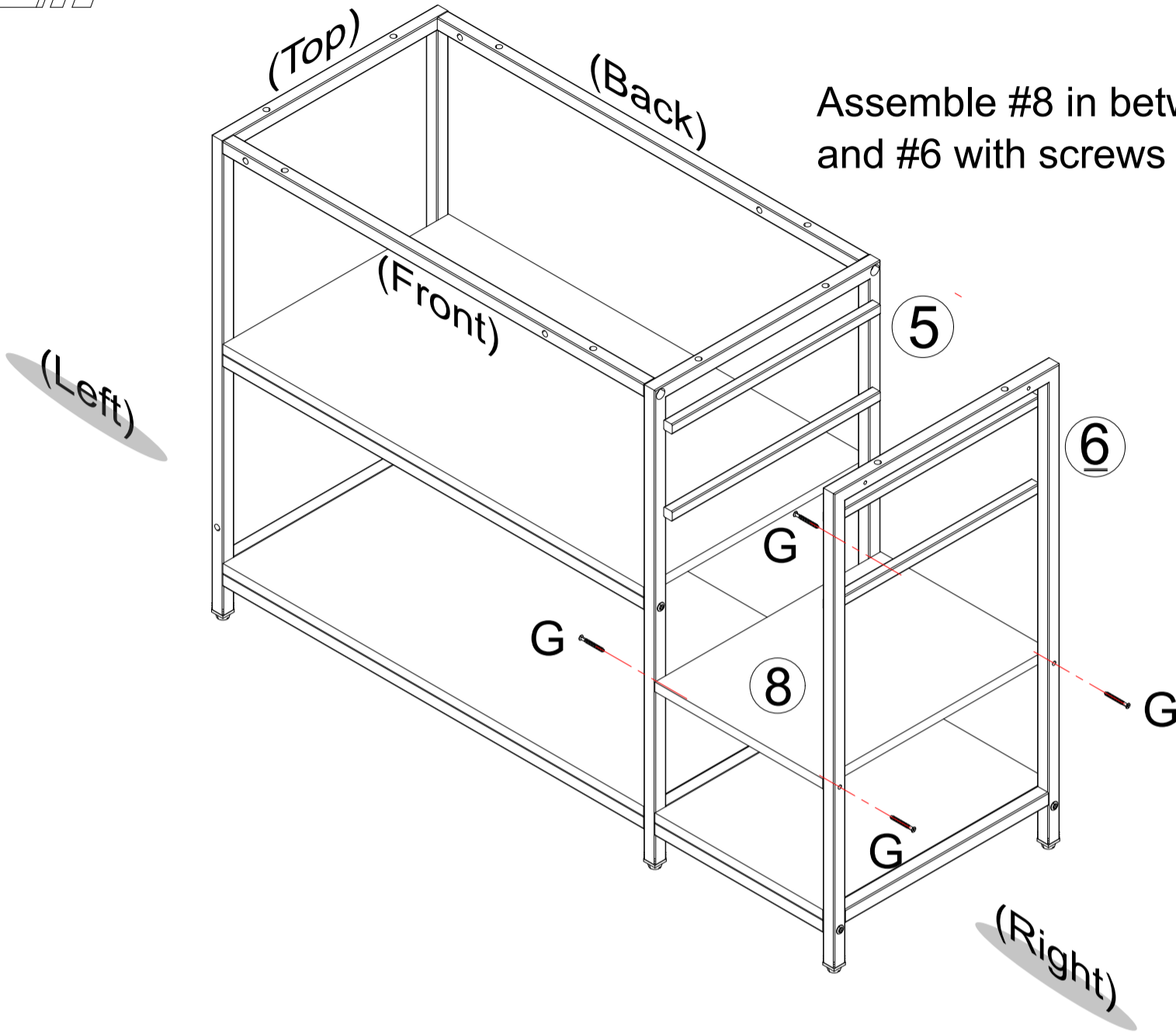
A5

G M5x40



4 PCS

Assemble #8 in between #5 and #6 with screws G.



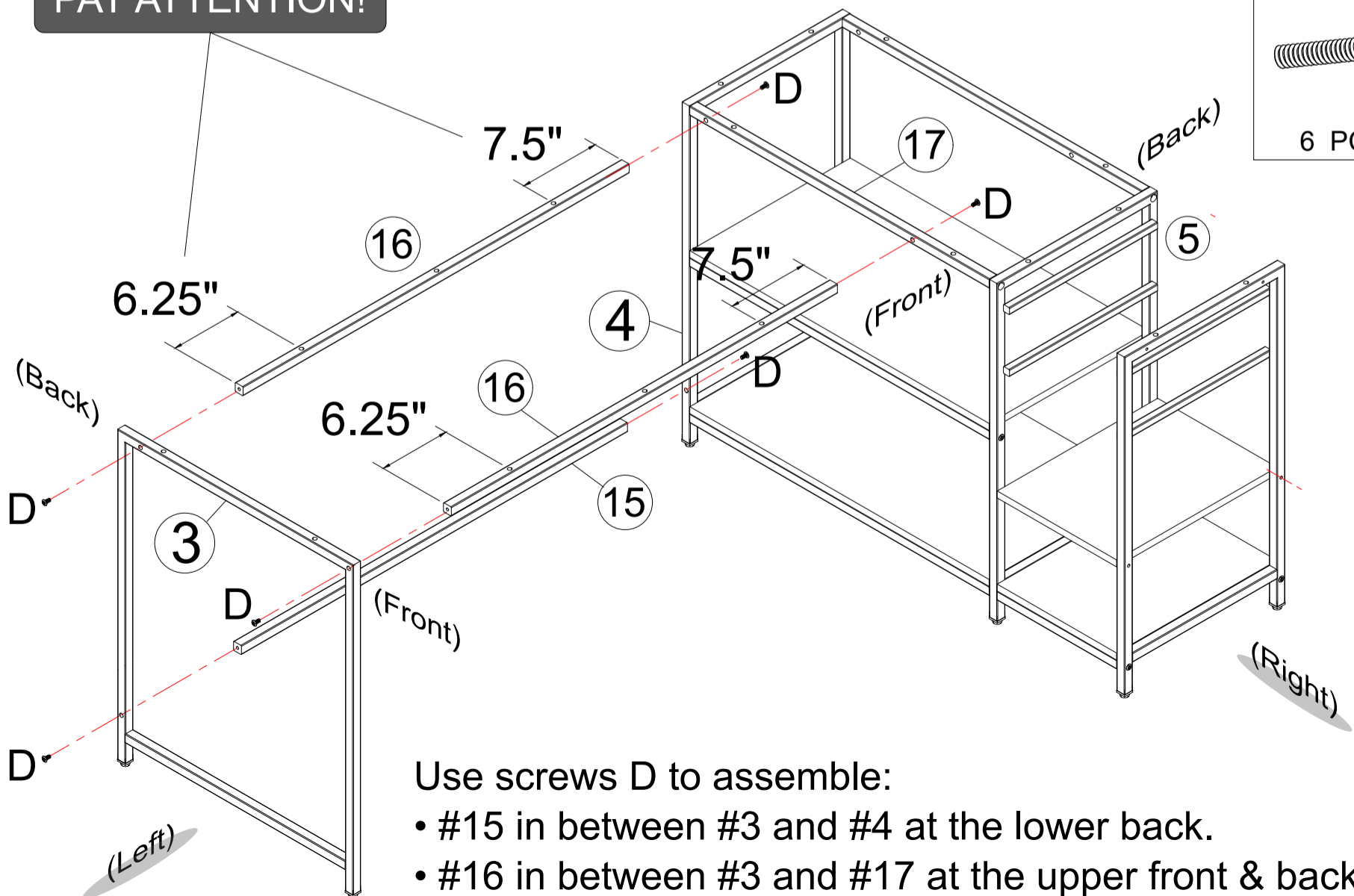
A6

D M6x40



6 PCS

PAY ATTENTION!



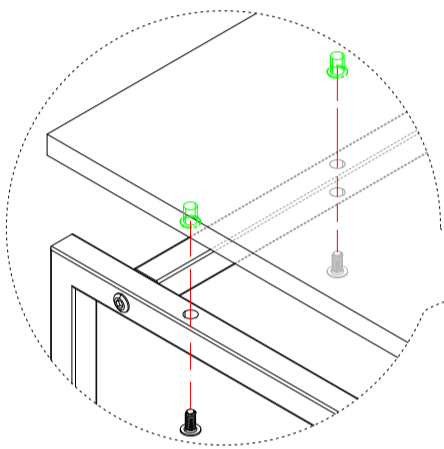
Use screws D to assemble:

- #15 in between #3 and #4 at the lower back.
- #16 in between #3 and #17 at the upper front & back.

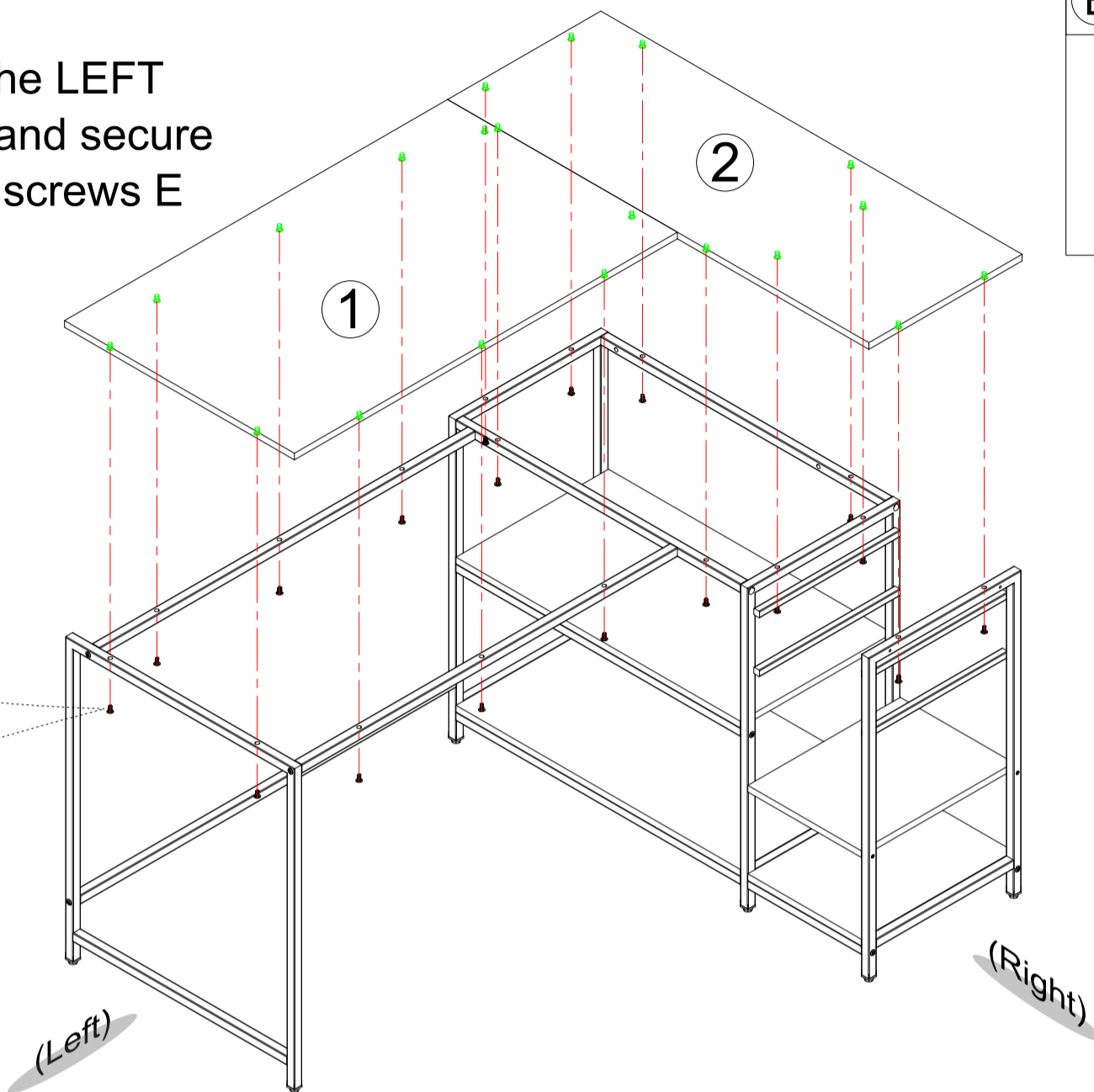
A7

Carefully place #1 on the LEFT and #2 on the RIGHT, and secure them to the frame with screws E from underneath.

SCREW LOOSELY TO ALLOW FLEXIBILITY!



Tighten the screws **ONLY AFTER** all of them are in their places.



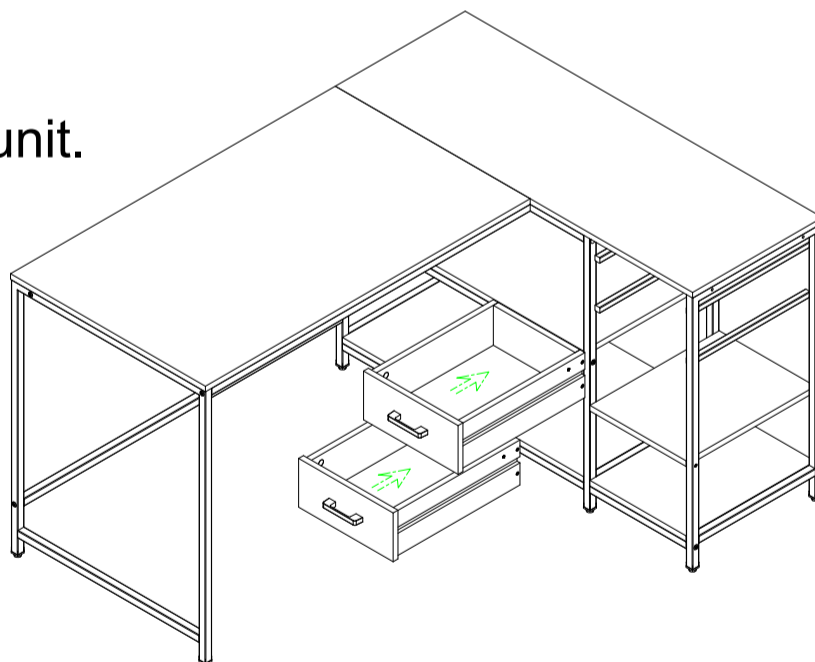
E M6x28



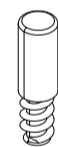
18 PCS

A8

FIRST: Insert the drawers into the unit.

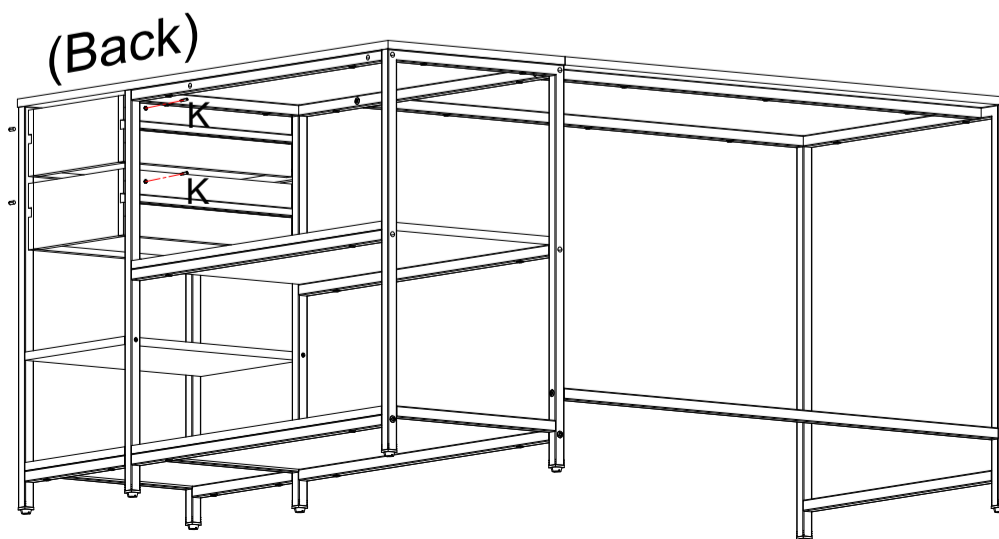
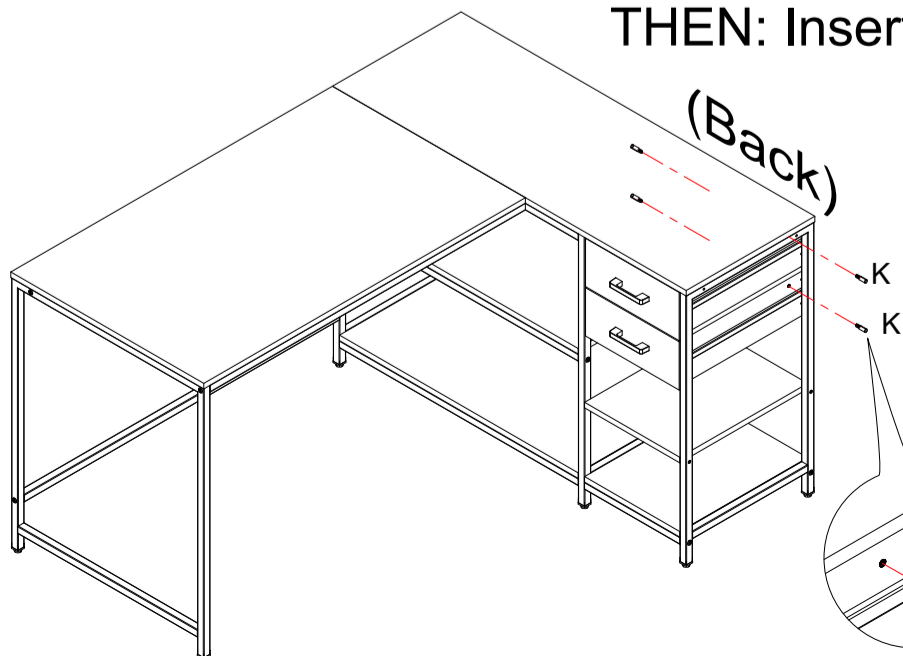


K



4 PCS

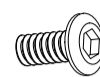
THEN: Insert the stoppers K on both sides of the drawers.



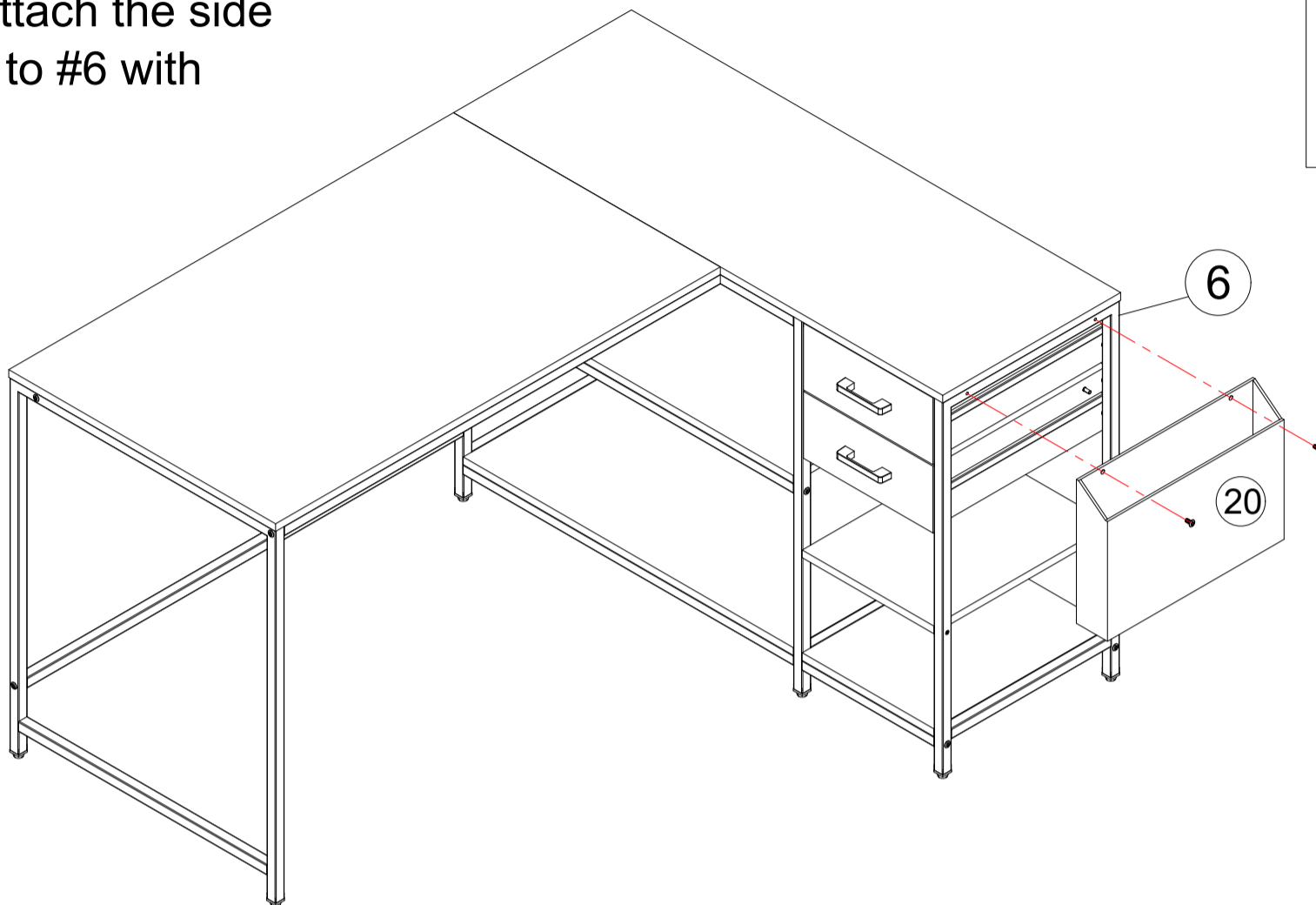
A9

F M6x12

FINALLY: Attach the side hop-pocket to #6 with screws F.



2 PCS



YOU ARE ALL DONE!

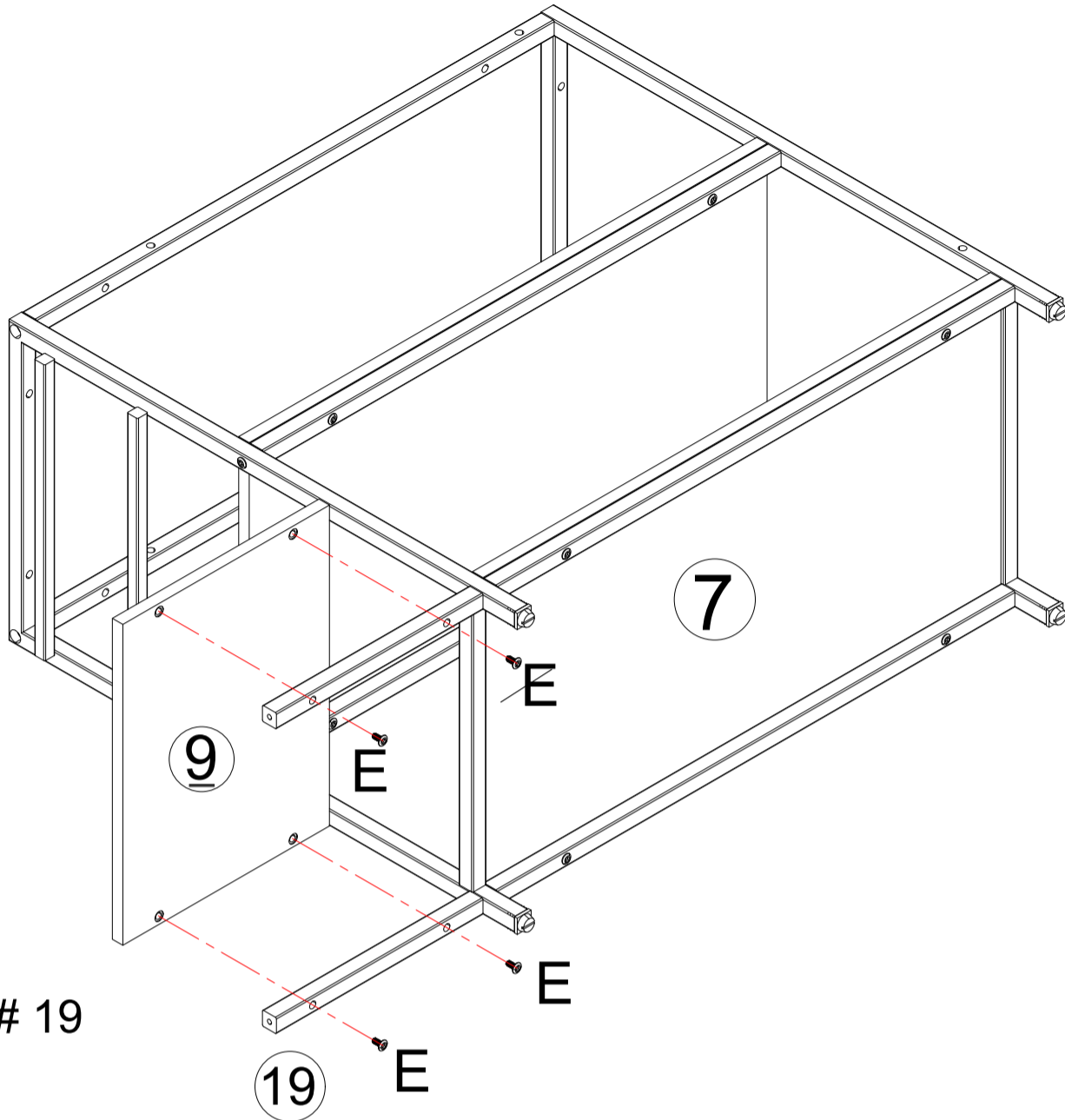
Skip the rest of this manual, and give yourself a nice pat on the back, you did a great job!



ENJOY YOUR NEW UNIT!



B3



Ⓔ M6x28

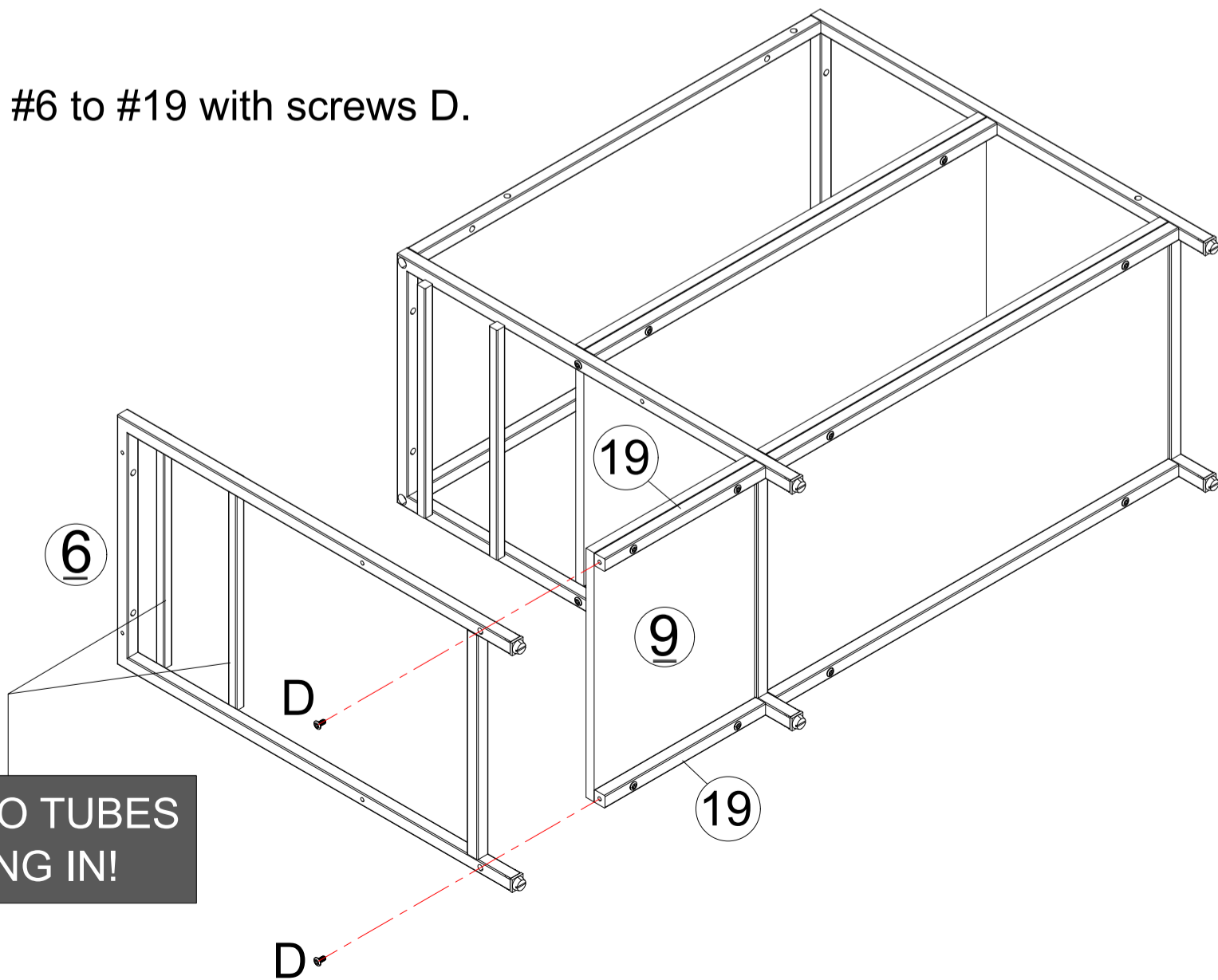


4 PCS

Assemble #9 to # 19
with screws E.

B4

Assemble #6 to #19 with screws D.



Ⓓ M6x40

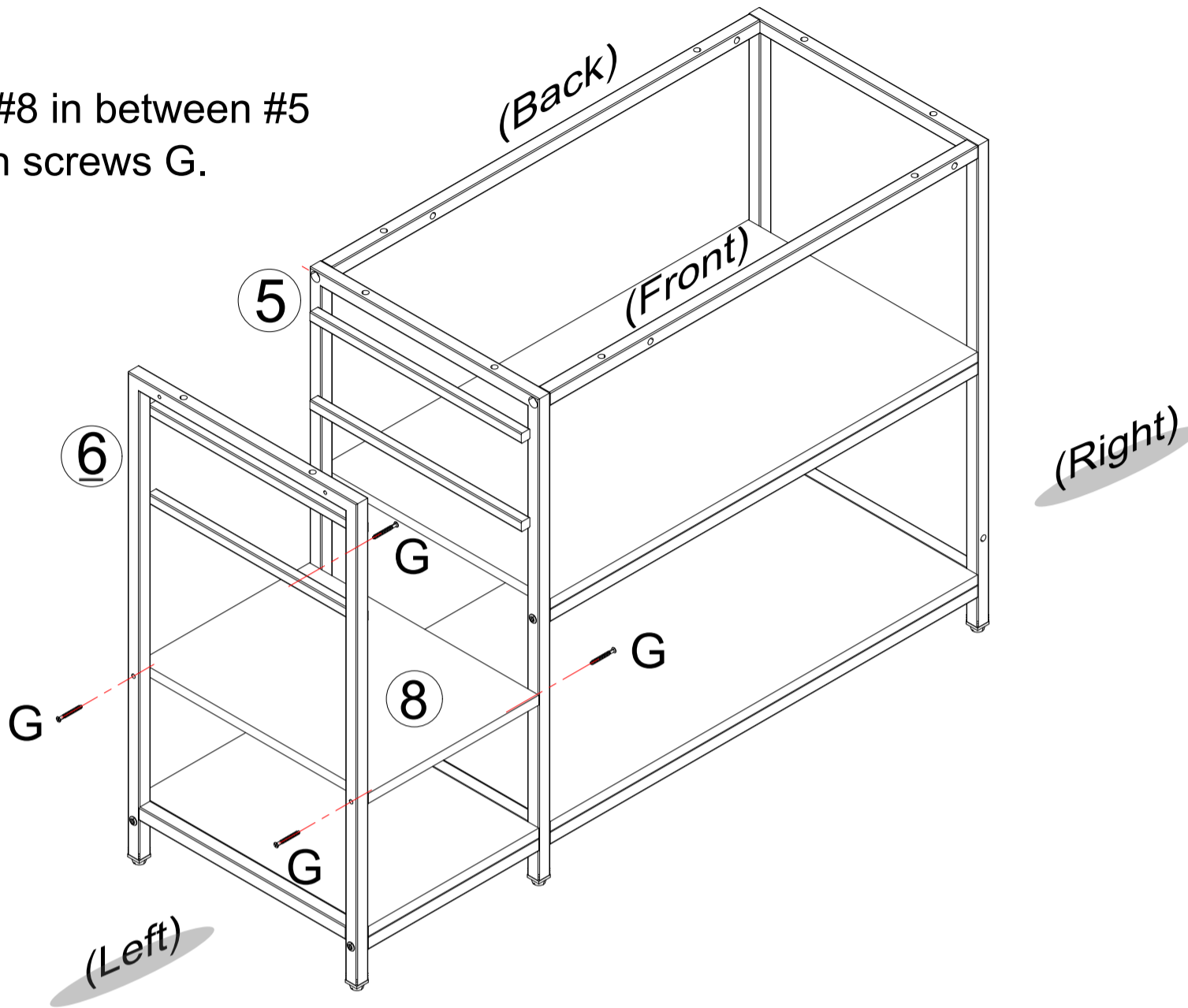


2 PCS

THE TWO TUBES
FACING IN!

B5

Assemble #8 in between #5 and #6 with screws G.



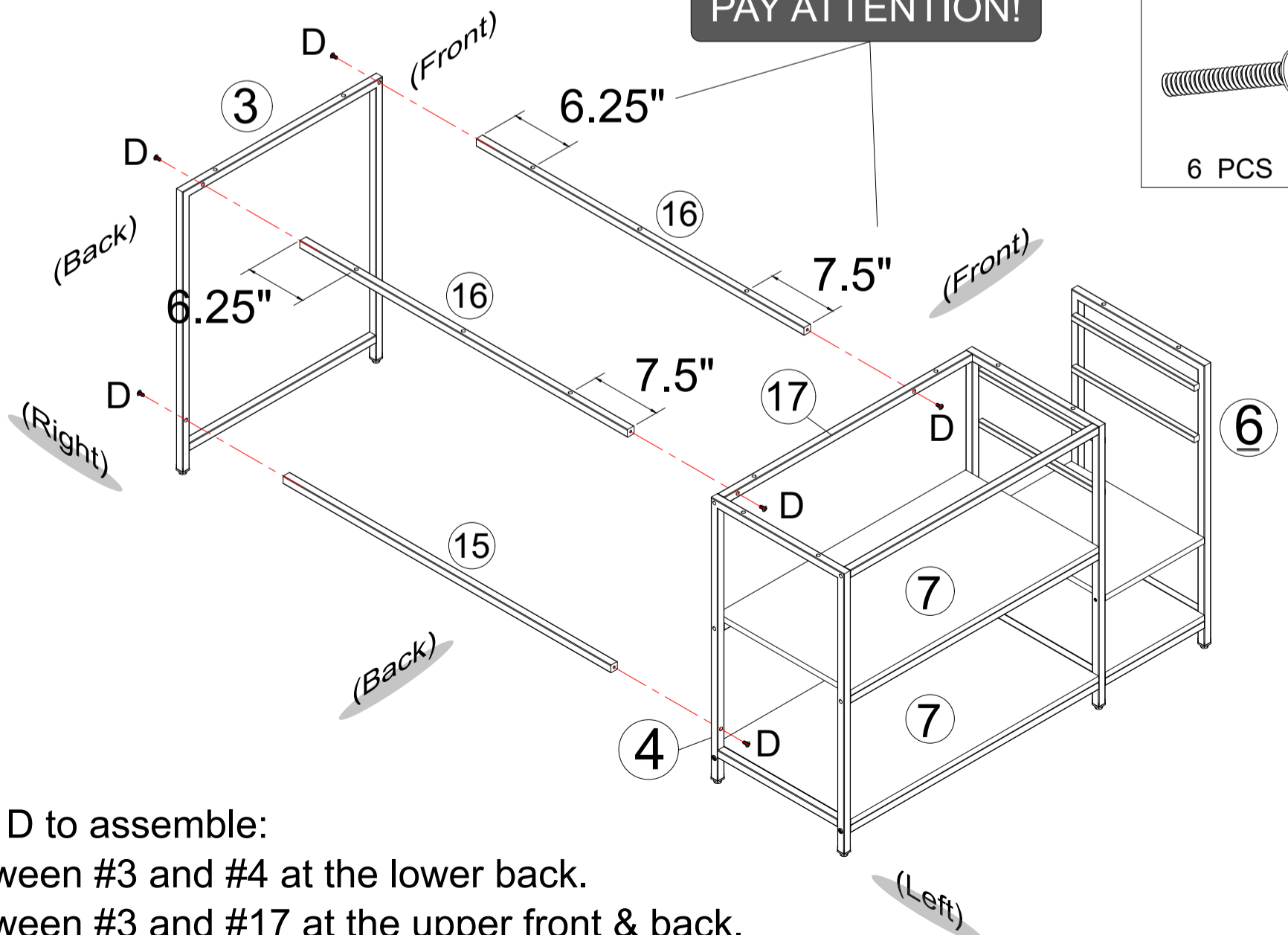
G M5x40



4 PCS

B6

PAY ATTENTION!



D M6x40



6 PCS

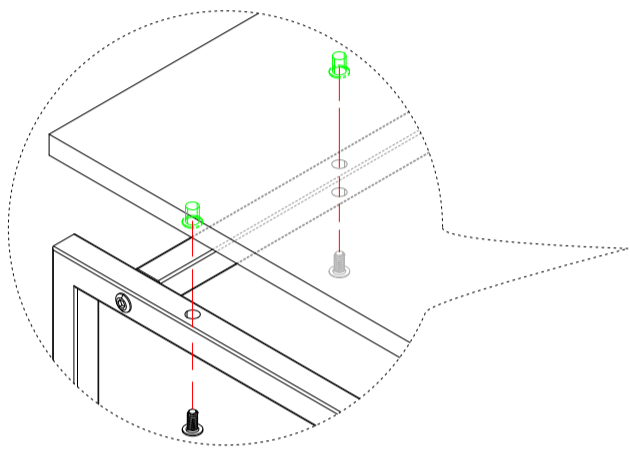
Use screws D to assemble:

- #15 in between #3 and #4 at the lower back.
- #16 in between #3 and #17 at the upper front & back.

B7

Carefully place #1 on the RIGHT and #2 on the LEFT, and secure them to the frame with screws E from underneath.

SCREW LOOSELY TO ALLOW FLEXIBILITY!

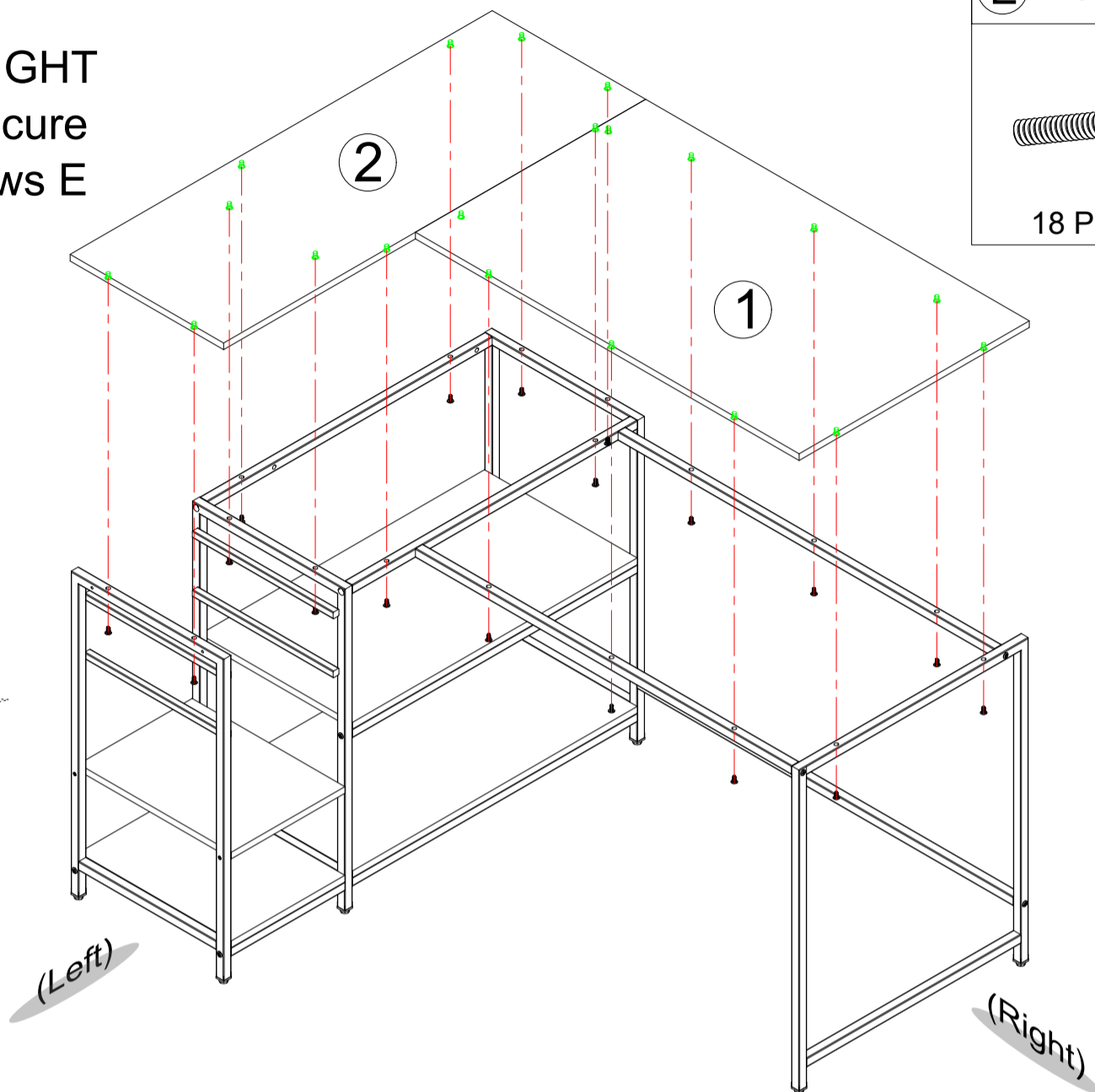


Tighten the screws **ONLY AFTER** all of them are in their places.

E M6x28

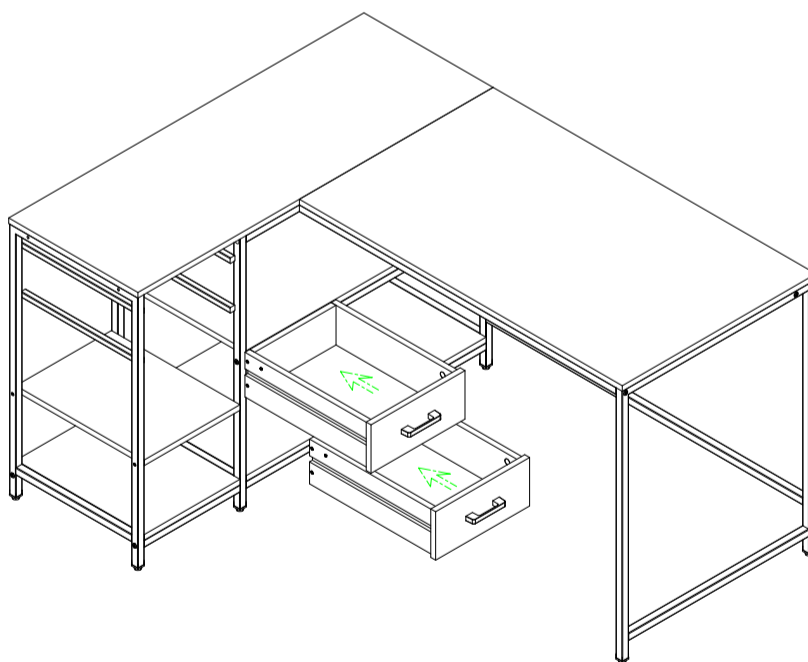


18 PCS

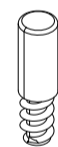


B8

FIRST: Insert the drawers into the unit.

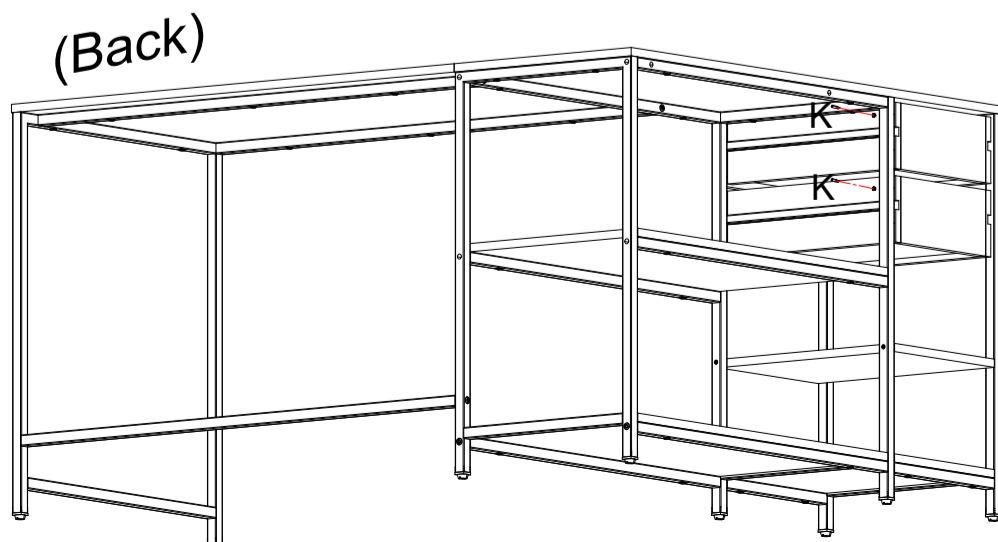
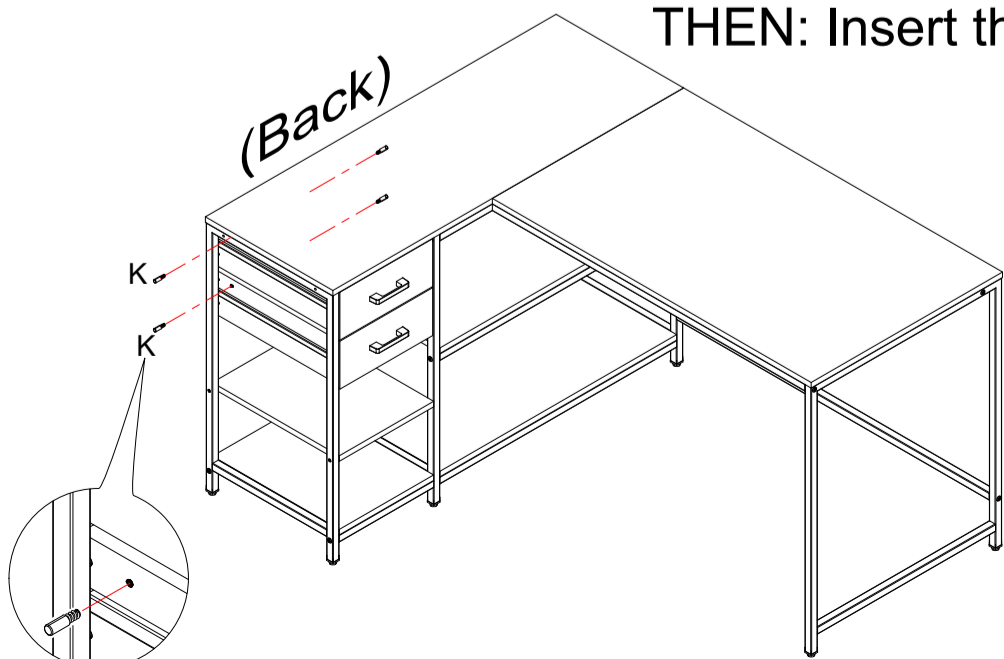


K



4 PCS

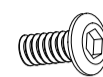
THEN: Insert the stoppers K on both sides of the drawers.



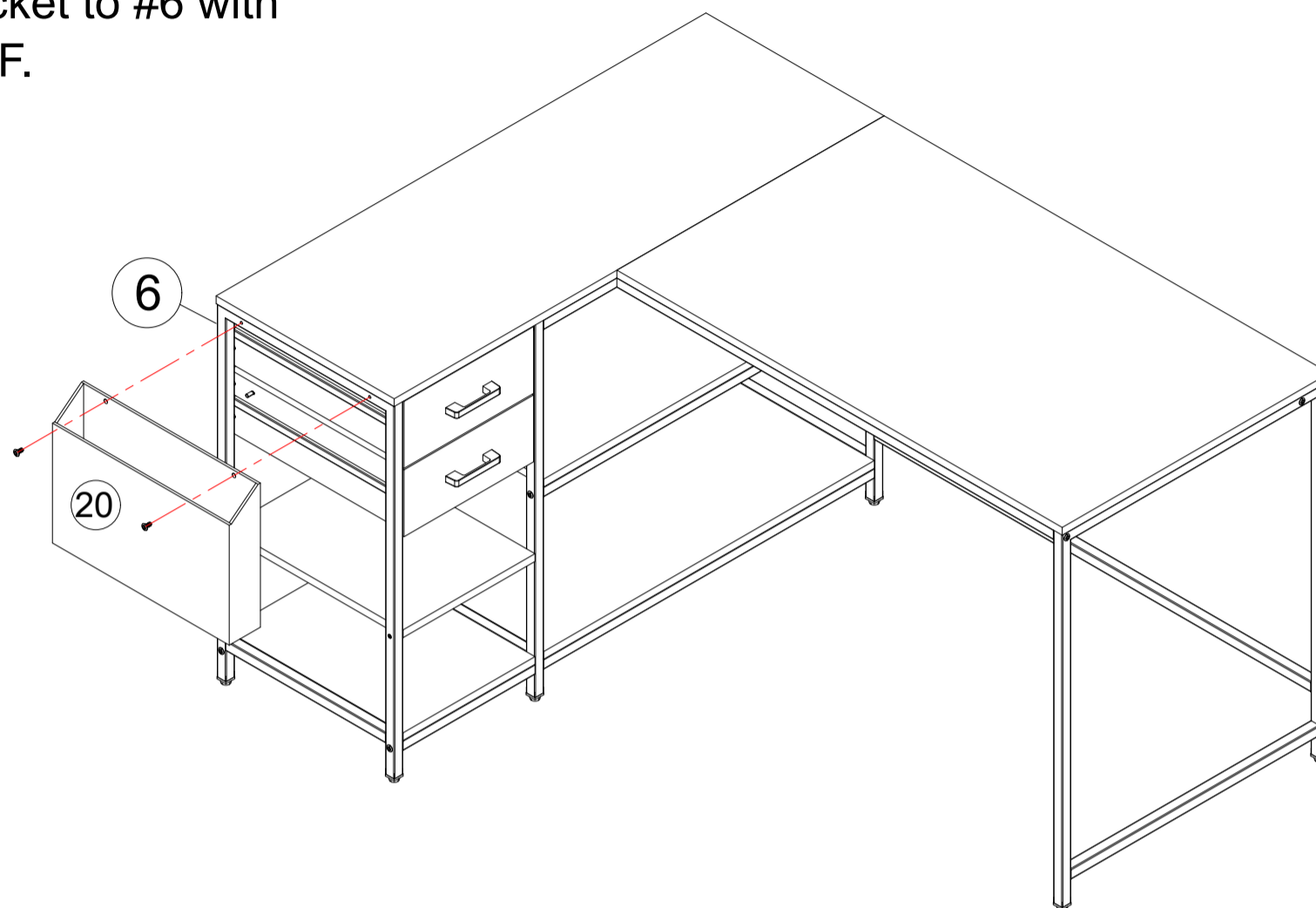
B9

F M6x12

FINALLY: Attach the side hop-pocket to #6 with screws F.

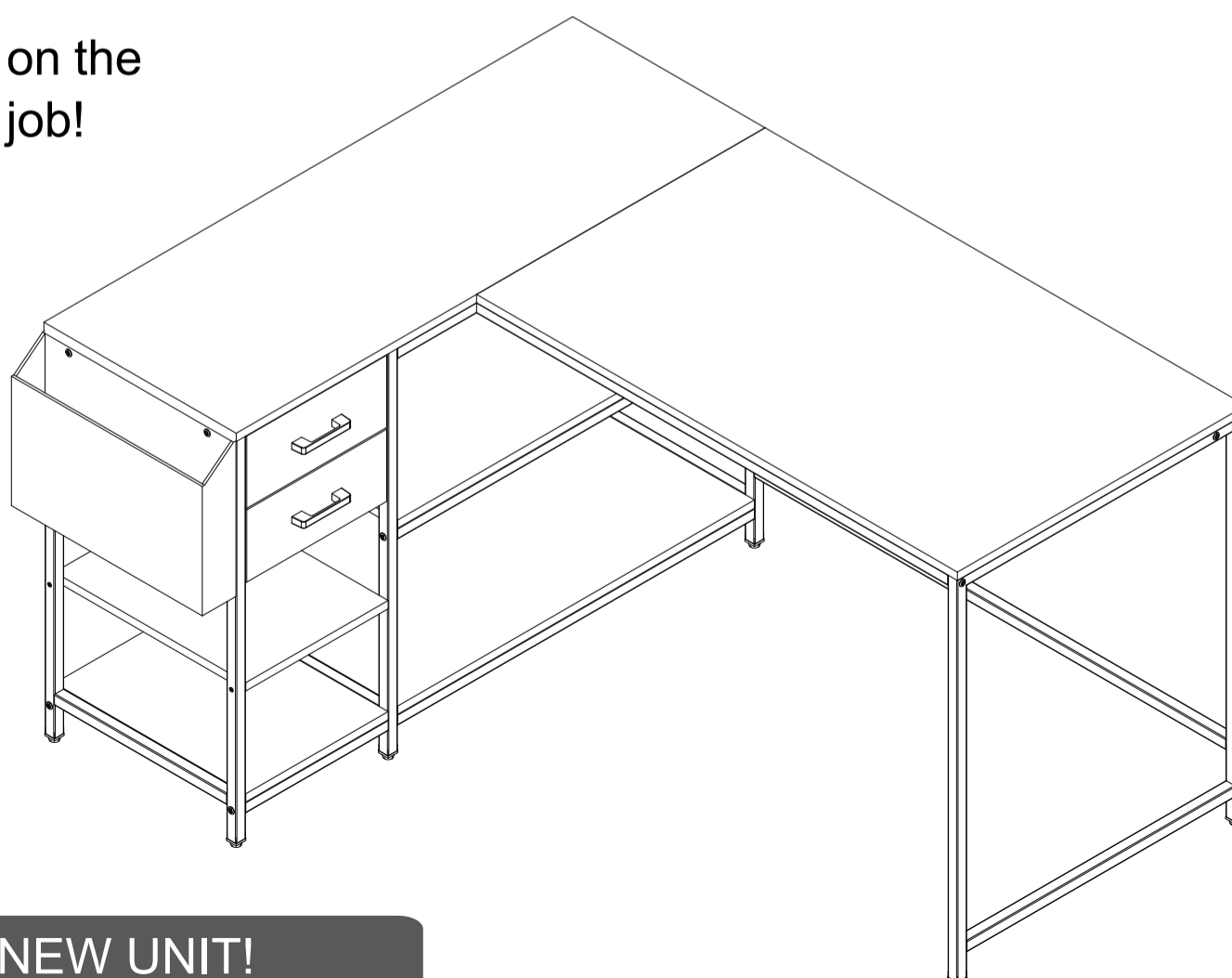


2 PCS



YOU ARE ALL DONE!

Give yourself a nice pat on the back, you did a great job!



ENJOY YOUR NEW UNIT!