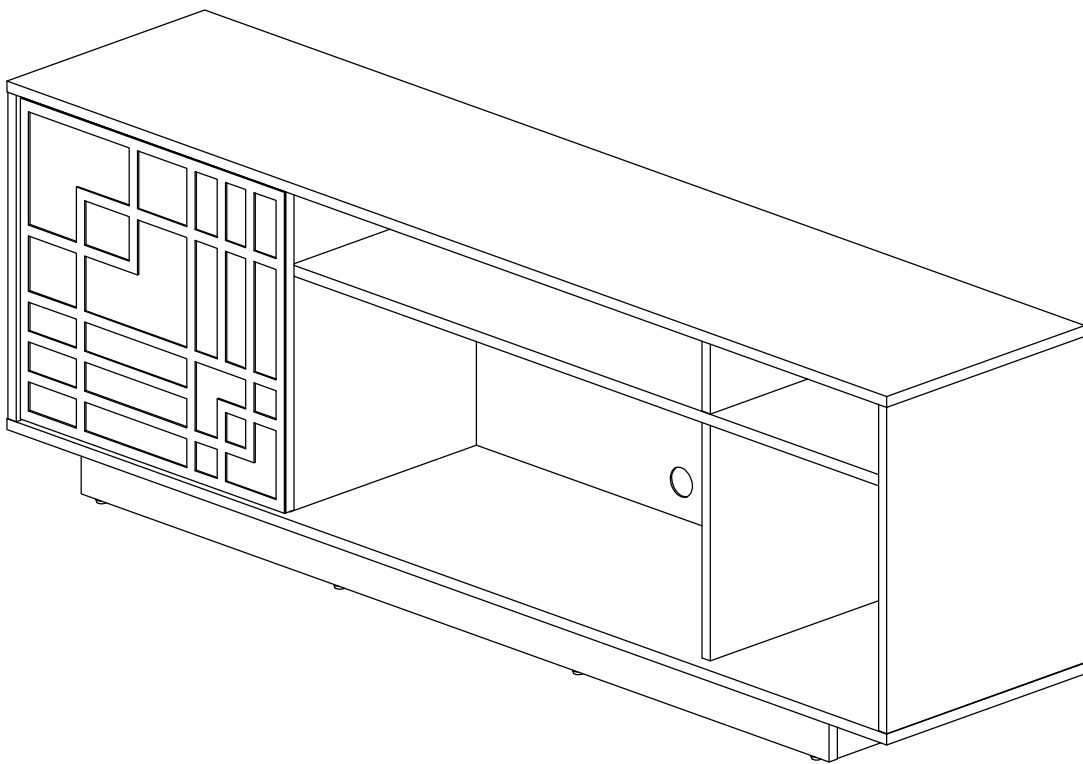


# MODEL RTA-945TV

## ASSEMBLY INSTRUCTIONS

(REV.1-FP-9230-1225)



Thank you for purchasing our product!

 **Ver el Manual  
en Español**



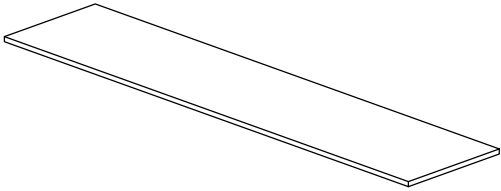
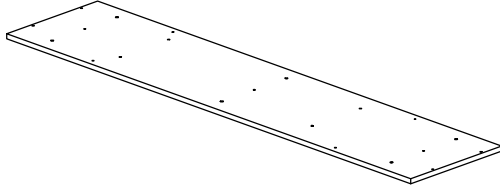
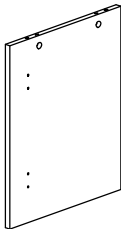
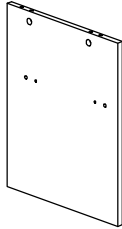
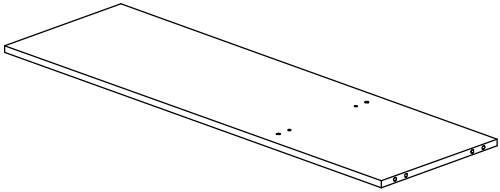
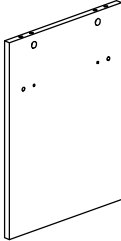
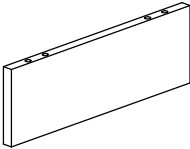
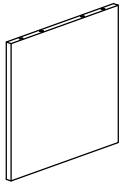
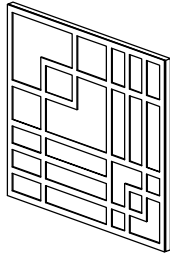
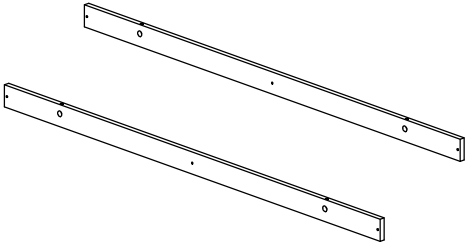
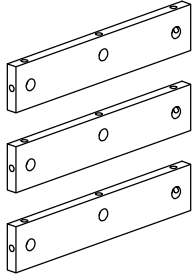
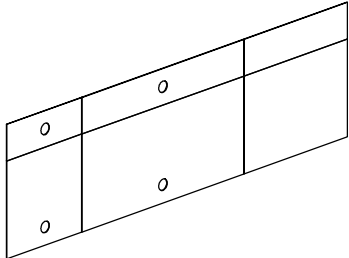
 **Visit our  
Website**



 **Contact Us**



MAIN PARTS LIST

<p><b>A</b> Top</p> 	<p><b>B</b> Bottom</p> 		
<p><b>C</b> Left side</p> 	<p><b>D</b> Right side</p> 	<p><b>E</b> Shelf</p> 	
<p><b>F</b> Left partition</p> 	<p><b>G</b> Upper shelf divider</p> 	<p><b>H</b> Lower shelf divider</p> 	<p><b>I</b> Door</p> 
<p><b>J</b> Long base x2</p> 	<p><b>K</b> Short base x3</p> 	<p><b>L</b> Back</p> 	

For support with assembly questions & replacement parts please email us at: [support@rtaproducts.com](mailto:support@rtaproducts.com)

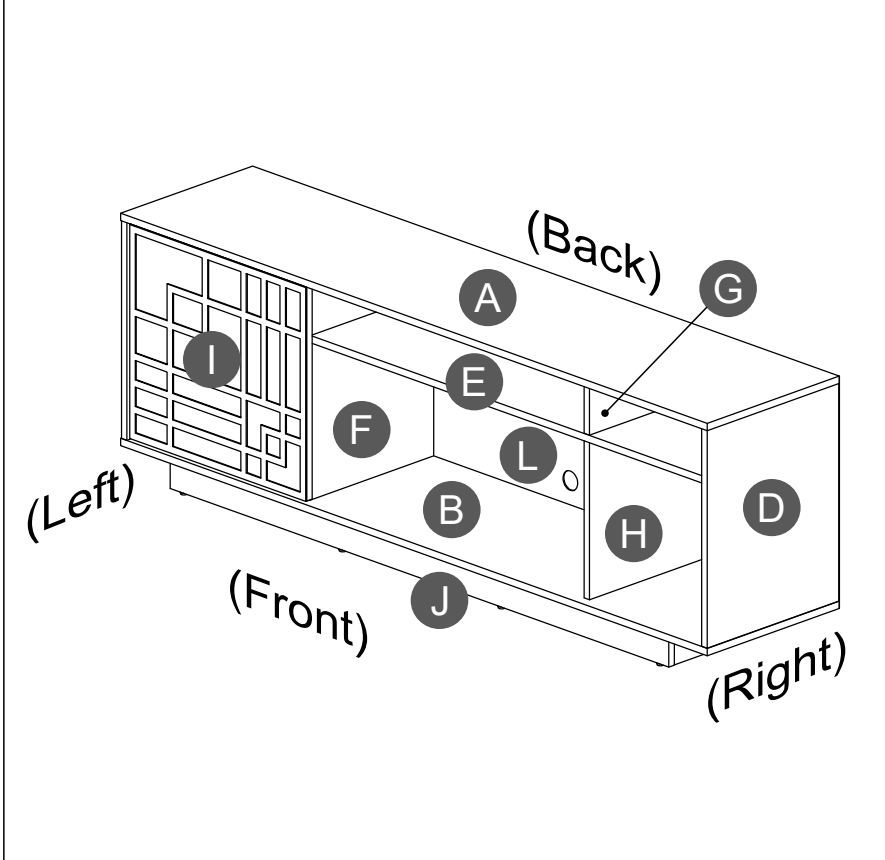


Free shipping within **the 48 Contiguous United States.**



For international customers & **AK-HI-PR** orders, **the customer is responsible for shipping costs plus any International local taxes or duties.**

Main parts Layout (For Reference and orientation)

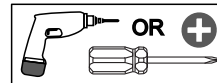


Hardware

No.	Item	Qty.
1	Short Dowels	26
2	Bolt + Cam Lock	27 Sets
3	Cam Lock caps	10
4	ST5x40	10

No.	Item	Qty.
5	Glides	8
6	Door hinge	2
7	ST3.5x16	12
8	Nails	32
9	Long Dowels	2

Tools required (Not included)



Bolt

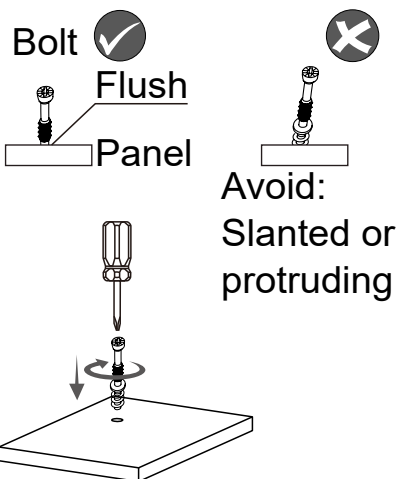


Cam lock

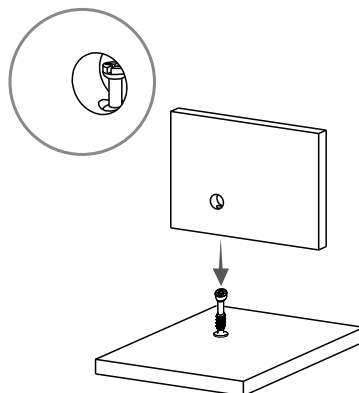
In some of the assembly steps you will use bolts and cam locks (also known as mini-fix). If you are not familiar with this kind of hardware, the below is a tutorial that explains how to use them.

The instructions below are **ONLY A TUTORIAL** for bolts and cam locks. The actual assembly starts on the next page.

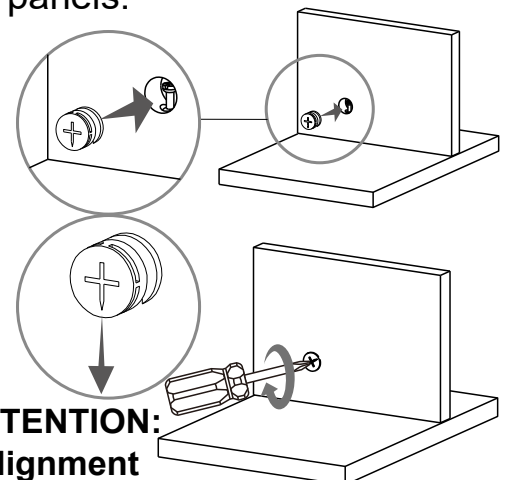
1. Install the bolt into the first panel.



2. Join the second panel by inserting it into the bolt of the first panel.



3. Insert the cam lock and turn it to lock both panels.



**ATTENTION:**  
Alignment

- Use blankets to protect the product's finish during assembly.
- Some of the steps might require 2 people.
- Do not overtighten any screws.

ASSEMBLY STEPS

STEP 1

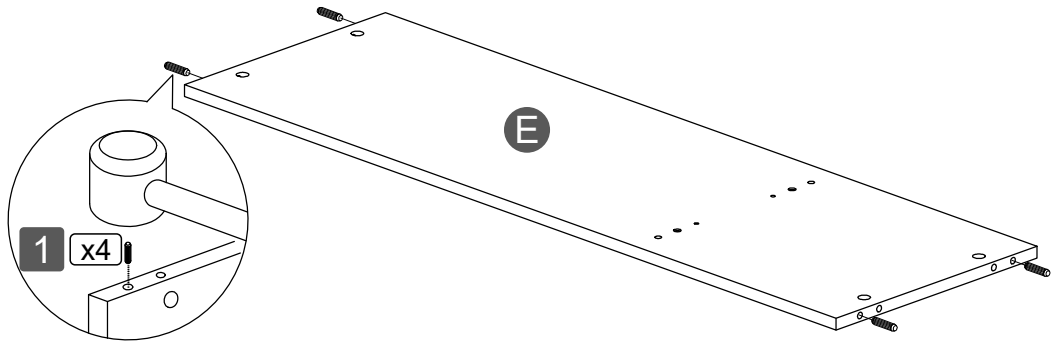
This step requires 2 people



1	Short Dowels	6
4	ST5x40	2
9	Long Dowels	2
OR		
OR		

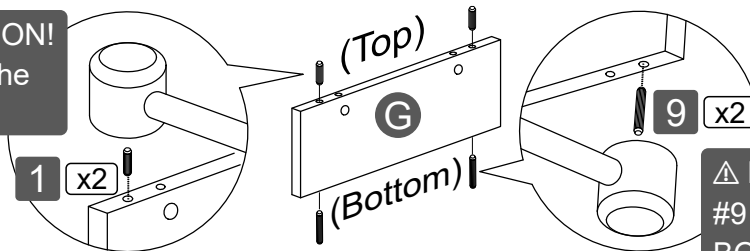
1st: Install #1 into the indicated holes on E.

TIP! Use blankets to protect the product's finish during assembly.



2nd: Install #1 (SHORT) into the indicated holes at the top of G, and #9 (LONG) at the bottom.

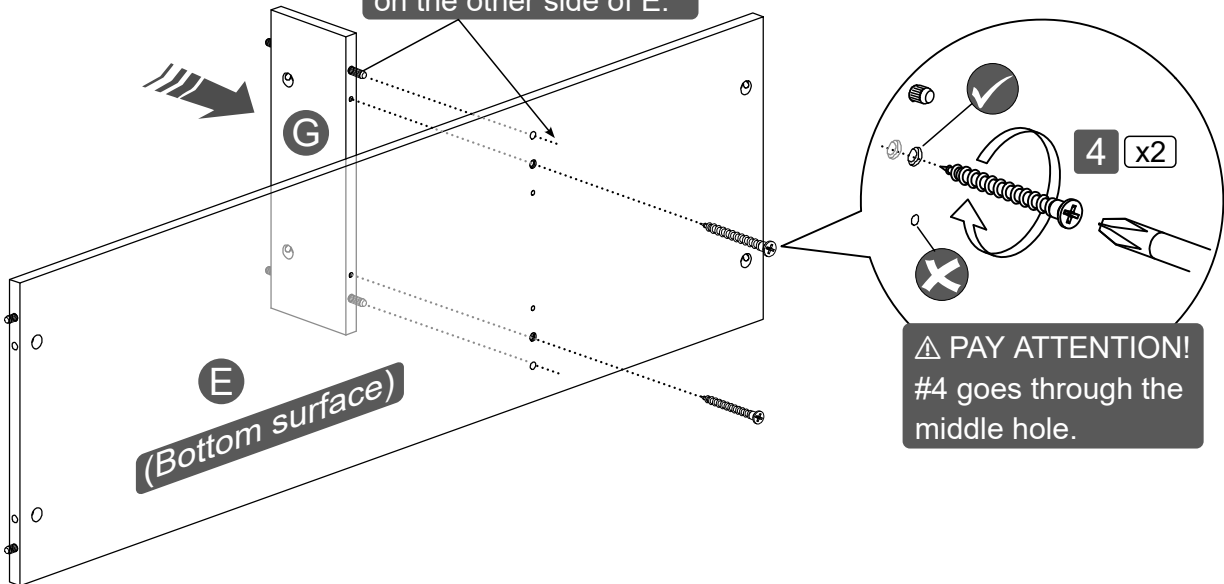
⚠ PAY ATTENTION! #1 (SHORT) at the TOP.



⚠ PAY ATTENTION! #9 (LONG) at the BOTTOM.

3rd: Use #4 to attach G to E.

NOTE: #9 will come out on the other side of E.



⚠ PAY ATTENTION! #4 goes through the middle hole.

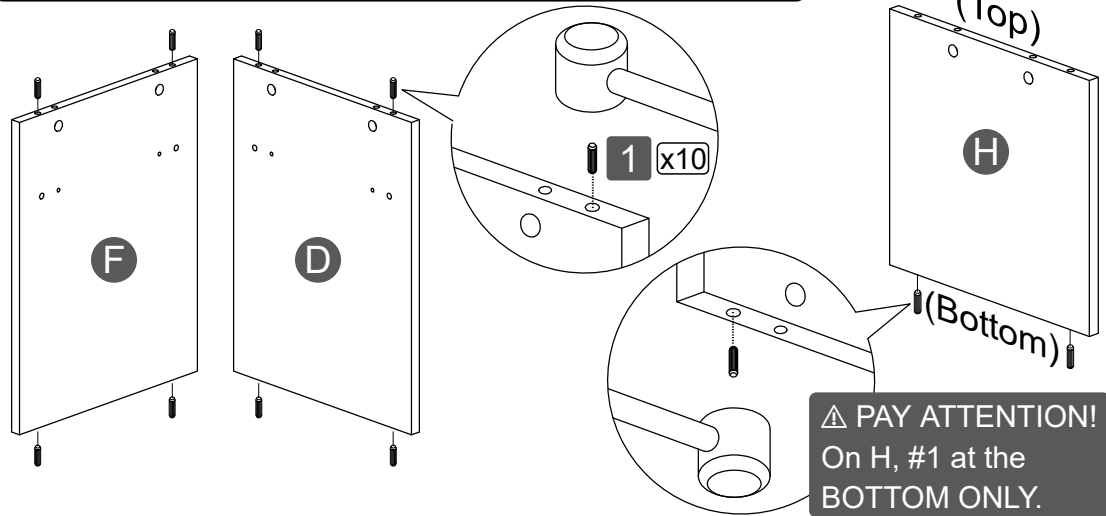
**STEP 2**

This step requires 2 people

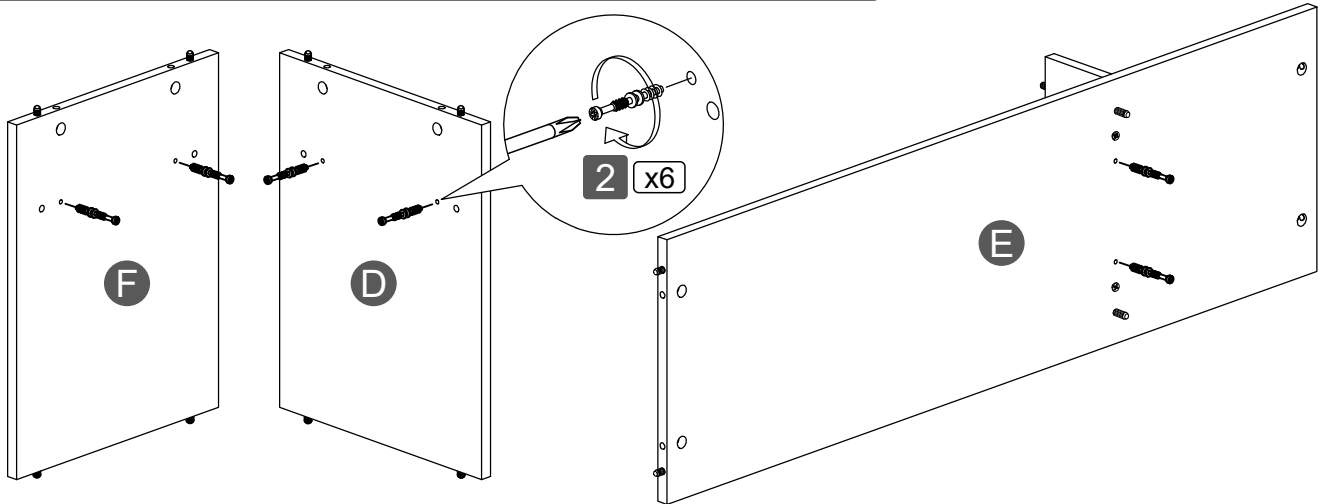


1	Short Dowels	10
2	Bolt + Cam Lock	6 Sets
OR		
OR		

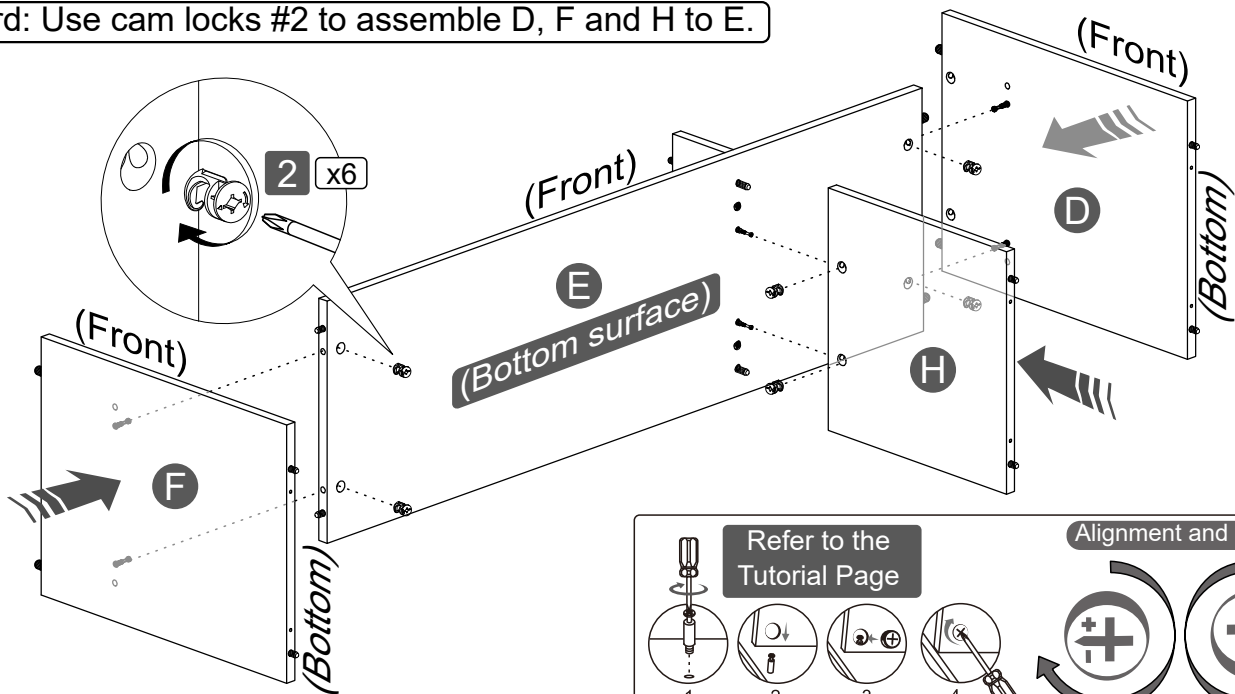
1st: Install #1 into the indicated holes on D, F and H.



2nd: Install bolts #2 into the indicated holes on D, E and F.



3rd: Use cam locks #2 to assemble D, F and H to E.



Refer to the Tutorial Page

Alignment and turn

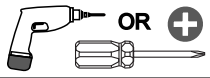
## STEP 3

This step requires 2 people

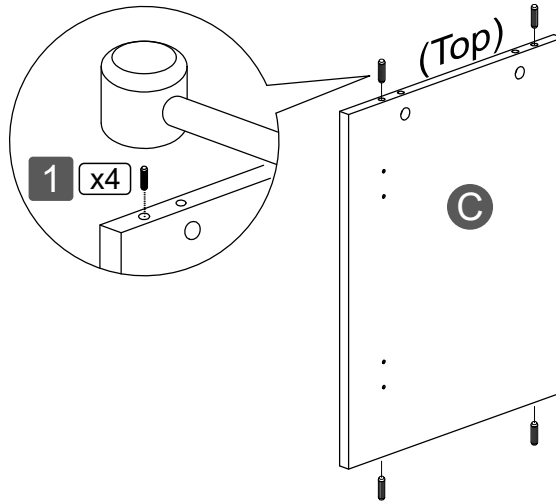


1 Short Dowels 4

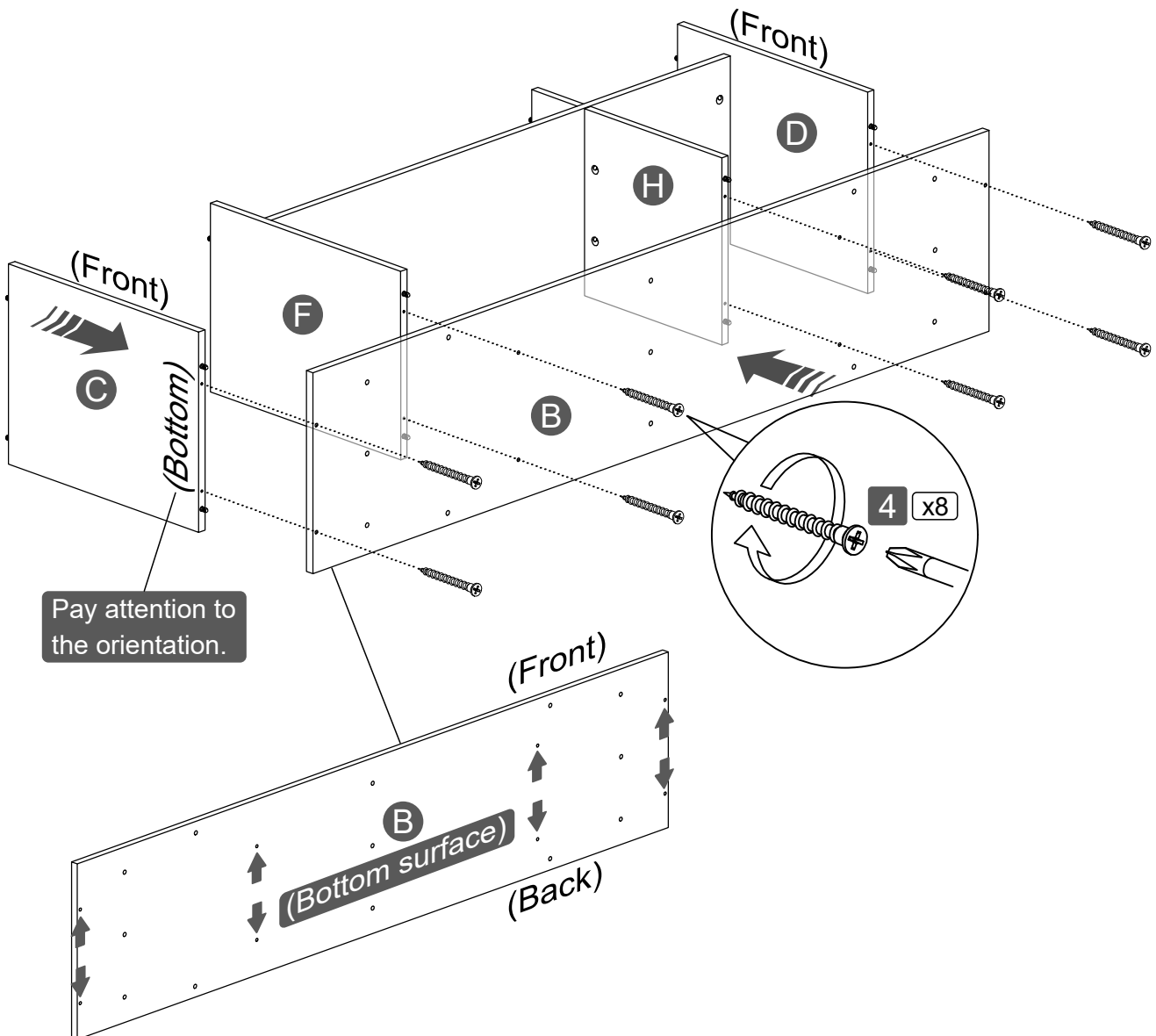
4 ST5x40 8



1st: Install #1 into the indicated holes on C.



2nd: Use #4 to assemble B to C, D, F and H as indicated.



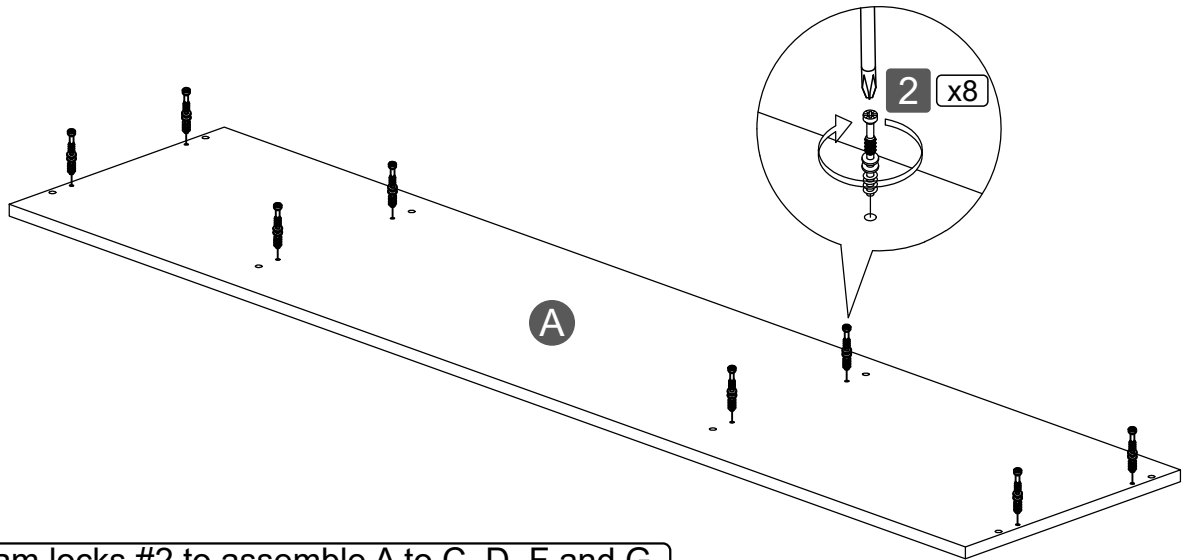
**STEP 4**

This step requires 2 people

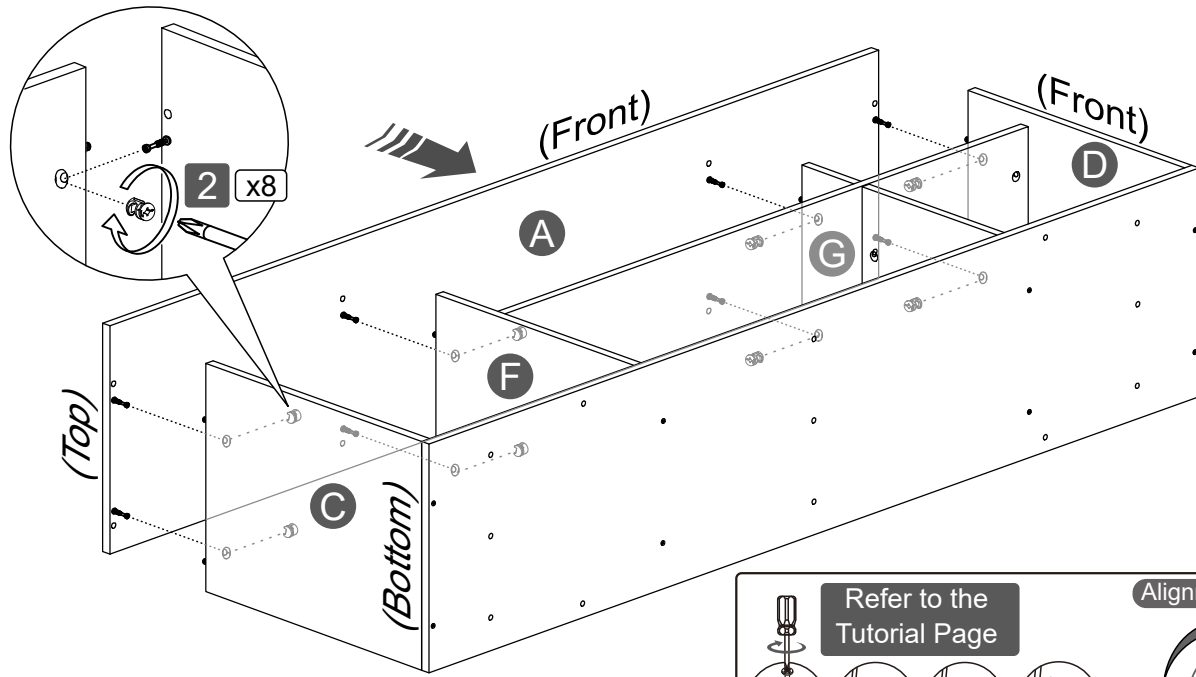


2		Bolt	8 Sets
		Cam Lock	
OR			

1st: Attach bolts #2 into the indicated holes on A.



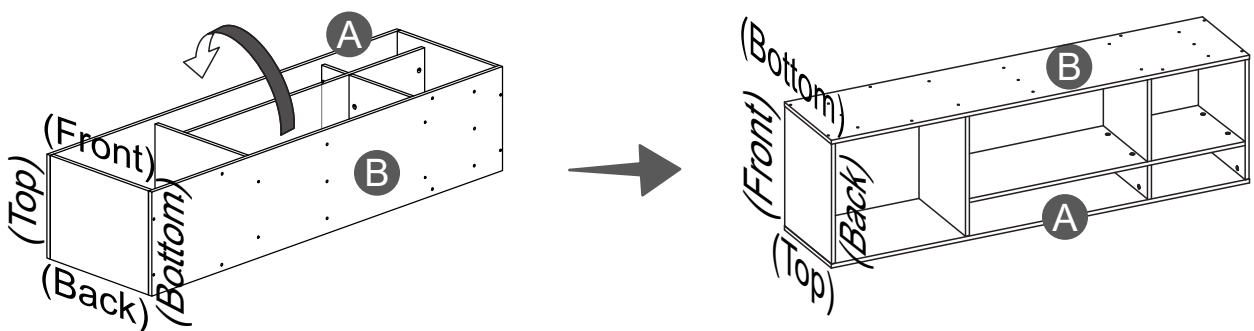
2nd: Use cam locks #2 to assemble A to C, D, F and G.



Refer to the Tutorial Page

Alignment and turn

3rd: Carefully flip the unit upside-down to have it ready for the next step.



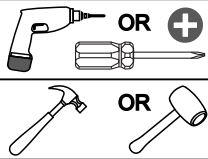
**STEP 5**

This step requires 2 people

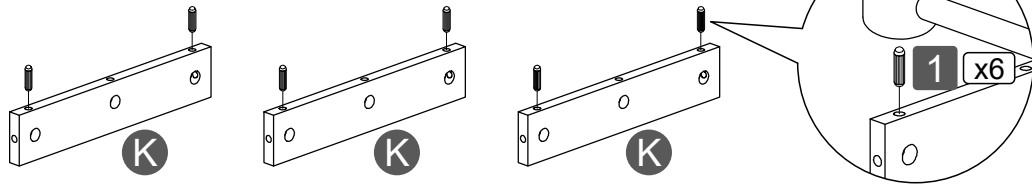


1 Short Dowels 6

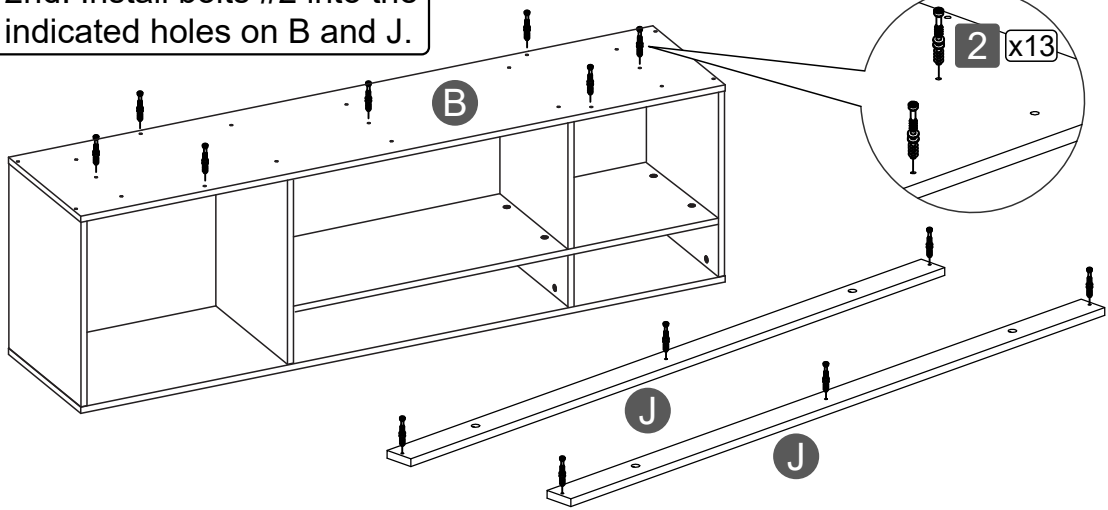
2 Bolt + Cam Lock 13 Sets



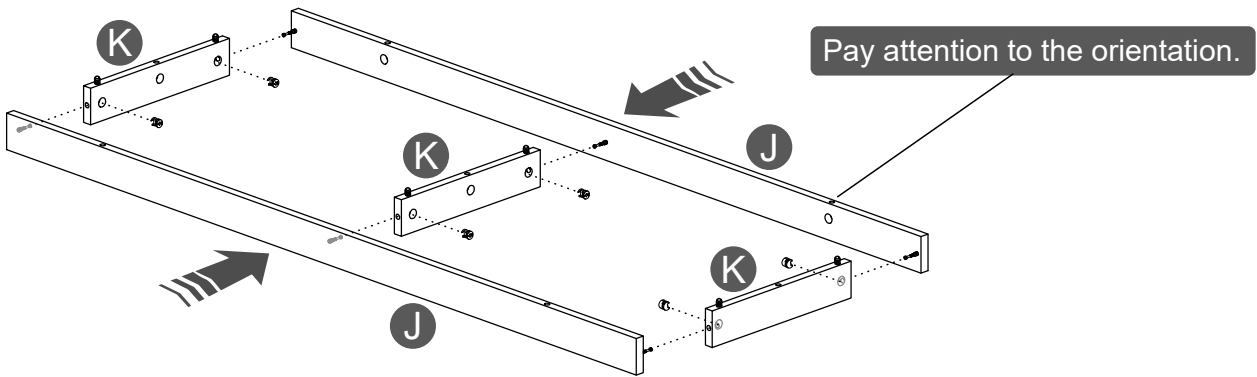
1st: Install #1 into the indicated holes on K.



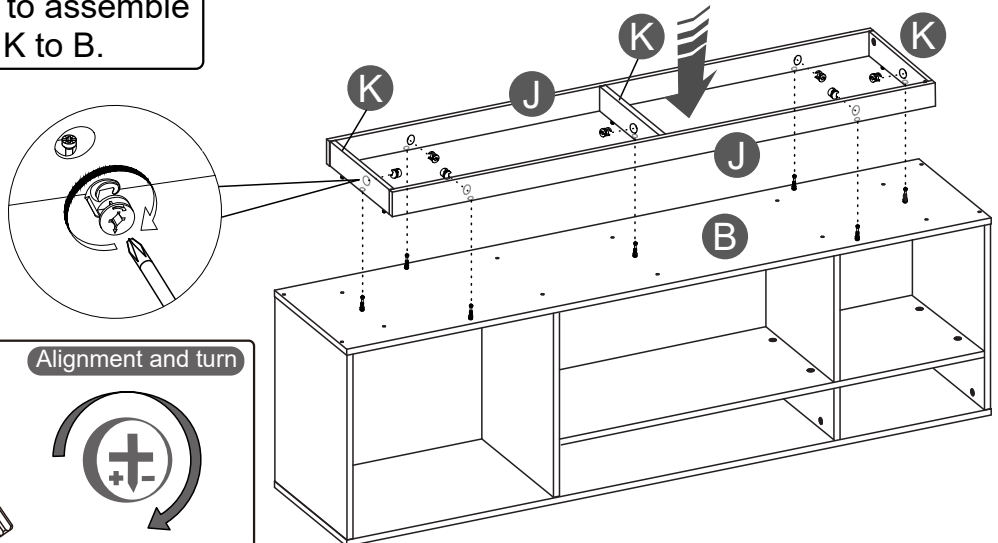
2nd: Install bolts #2 into the indicated holes on B and J.



3rd: Use cam locks #2 to assemble the base pieces J and K as indicated.



4th: Use cam locks #2 to assemble the base pieces J and K to B.



Refer to the Tutorial Page

Alignment and turn

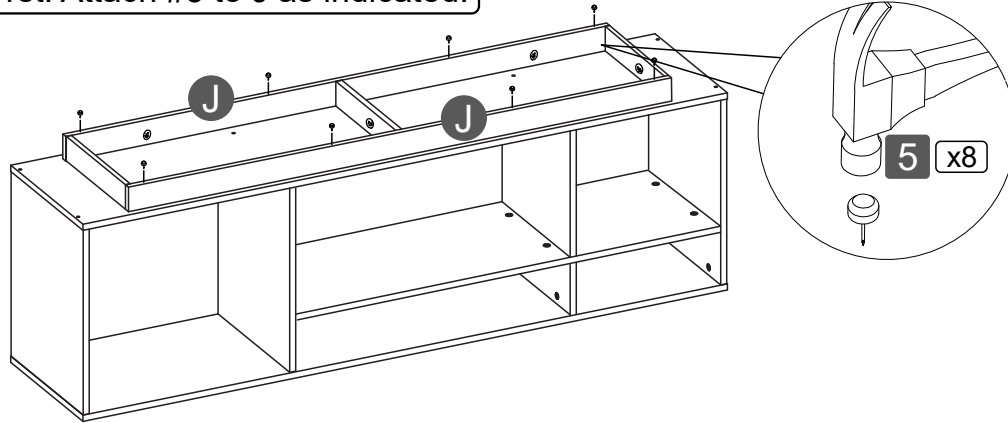
**STEP 6**

This step requires 2 people

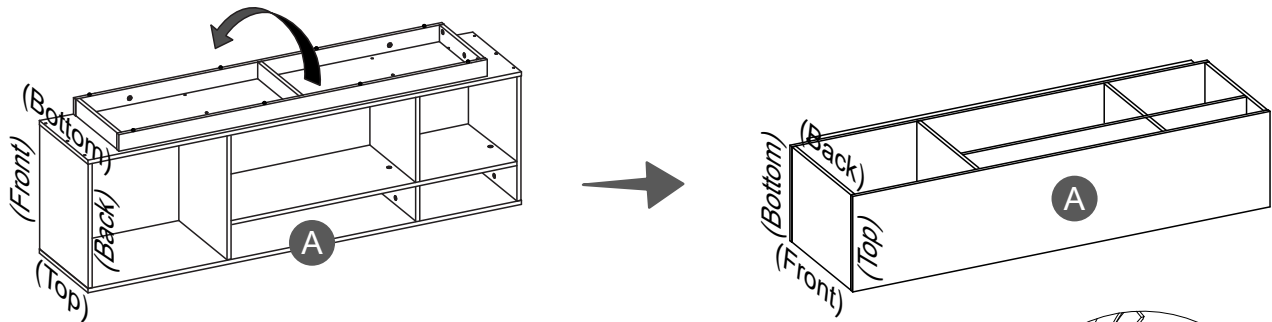


5	Glides	8
8	Nails	32
OR		

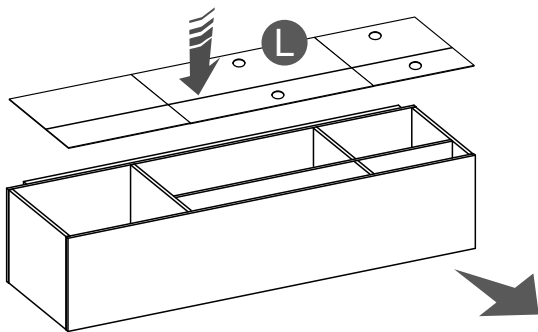
1st: Attach #5 to J as indicated.



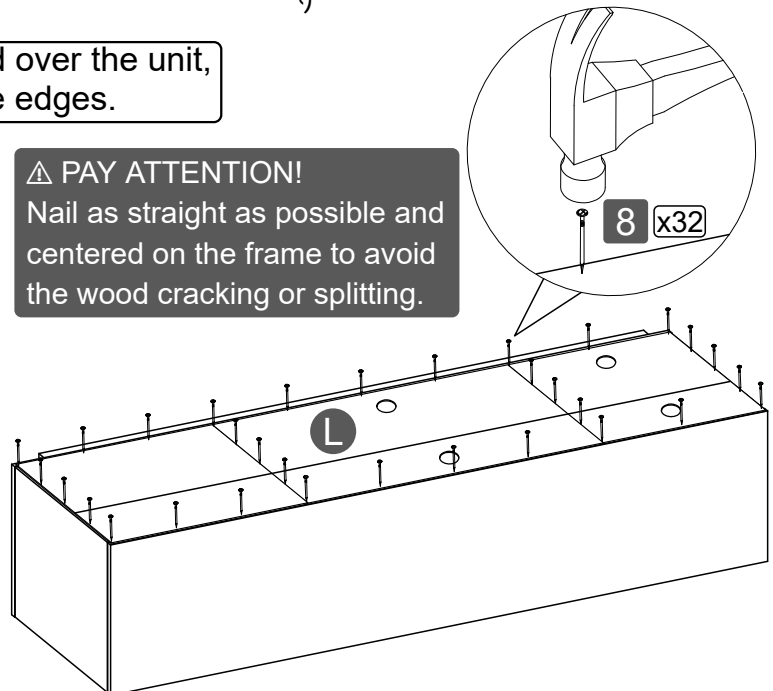
2nd: Carefully flip the unit on its front (unfinished back facing UP).



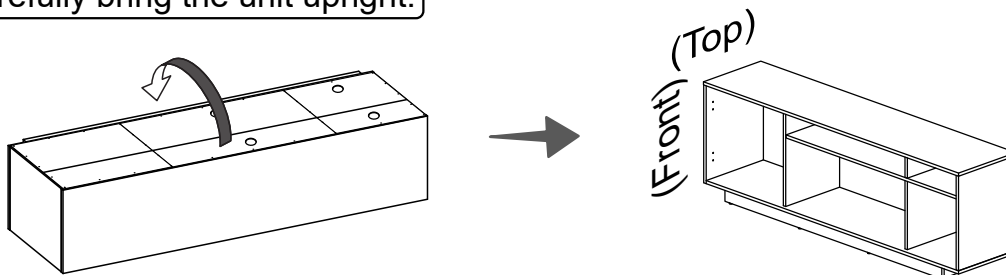
3rd: Place the back boards L centered over the unit, and use nails #8 to secure it along the edges.



**⚠ PAY ATTENTION!**  
Nail as straight as possible and centered on the frame to avoid the wood cracking or splitting.


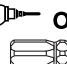


4th: Carefully bring the unit upright.

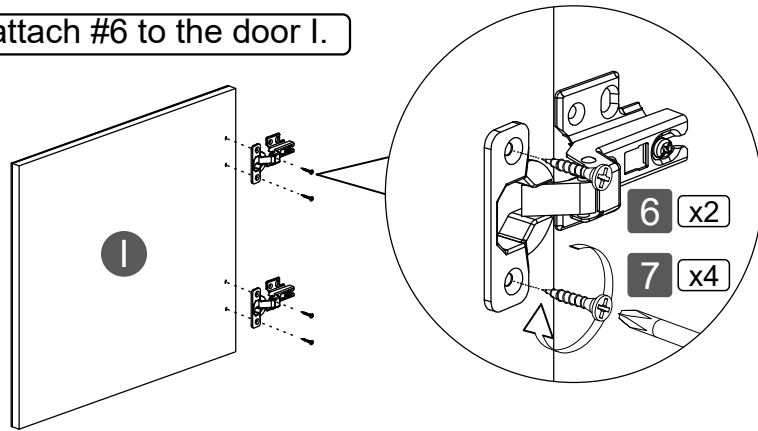


**STEP 7**

This step requires 2 people

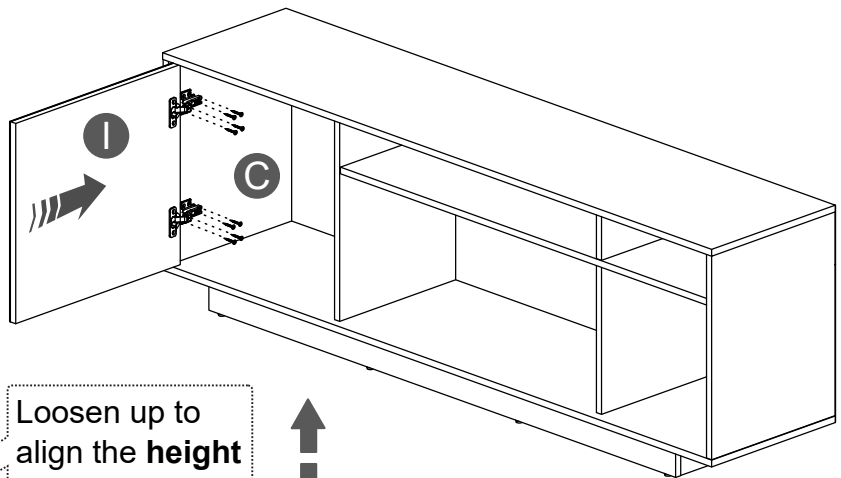
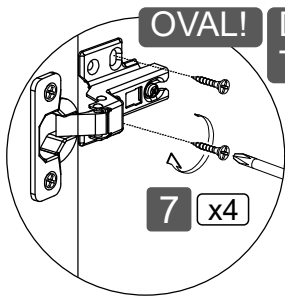
3	Cam Lock caps	10
6	Door hinge	2 Sets
7	ST3.5x16	12
 OR 		

1st: Use #7 to attach #6 to the door I.

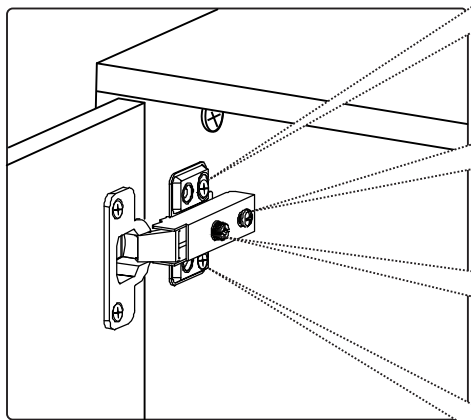


2nd: Use #7 to attach the door I to C, and adjust the alignment of the door as indicated.

**⚠ PAY ATTENTION!**  
FIRST: Attach on the OVAL holes.

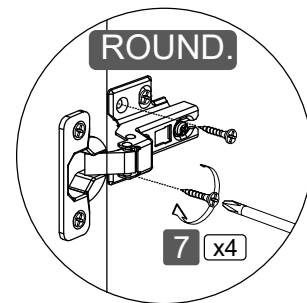


THEN: Align the door.

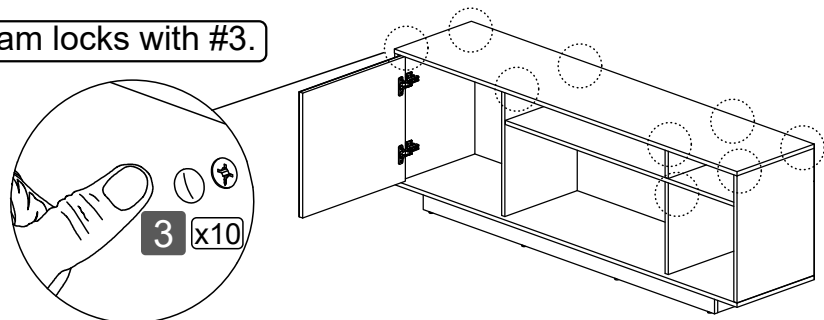


- Loosen up to align the **height** (Up-Down)
- Loosen up to align the **depth** (Front-Back)
- Loosen up to align side-to-side
- Loosen up to align the **height** (Up-Down)

THEN: Tighten on OVAL and secure on the ROUND.



FINALLY: Cover the visible cam locks with #3.

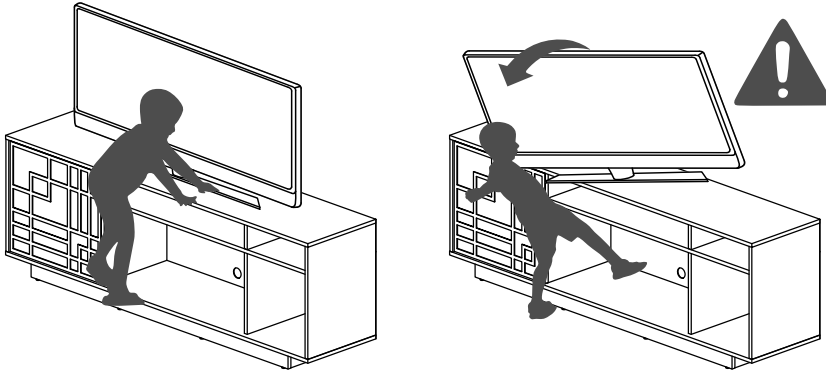


**WARNINGS**

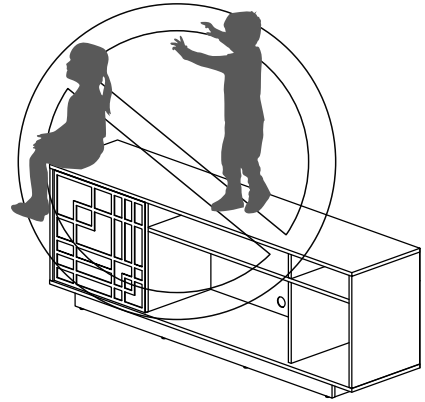
Not paying attention to the following warnings could result in injuries.

**TIP-OVER WARNING!**

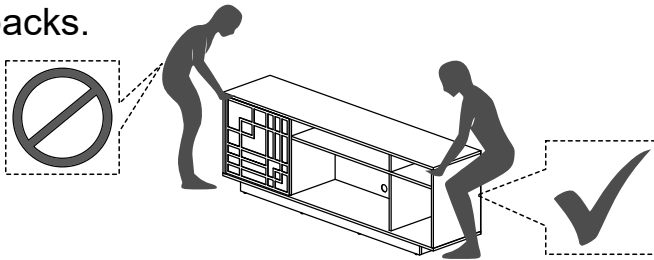
Always pay close attention to small children playing near the unit or if they are watching TV very close to it to prevent tip-over accidents.



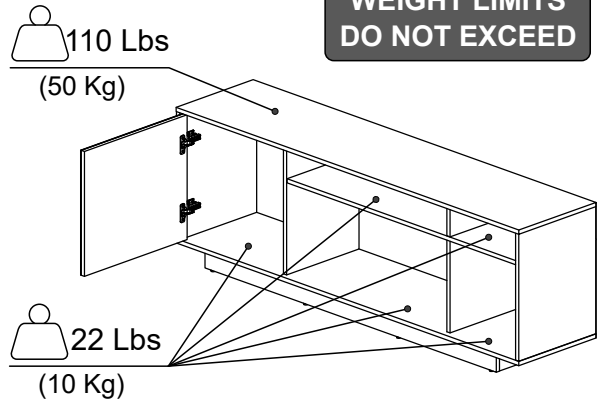
- Do not sit, climb or stand on the Unit.
- Do not allow children to play over or inside the unit.



- 2 persons are required for moving the unit at distances longer than 2 feet.
- Remove or secure your TV or any objects that might fall off during moving.
- Lift by bending your knees, not your backs.



**WEIGHT LIMITS  
DO NOT EXCEED**

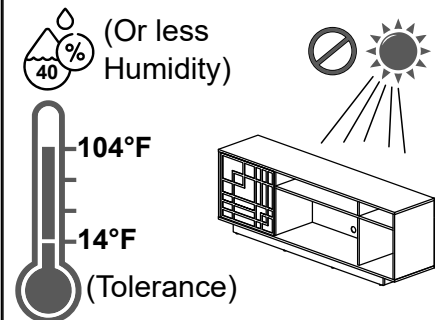


**CARE AND MAINTENANCE**

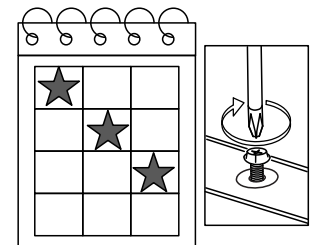
- Clean with a cloth lightly dampened in a solution of mild soap and water.
- Do not use solvents or abrasive materials.



Do not expose to direct sunlight or extreme environmental conditions.



Inspect and re-tighten any loose screws every 4 months.



**LIMITED WARRANTY**

To file a claim or request information, please email to: [warranty@rtaproducts.com](mailto:warranty@rtaproducts.com)

