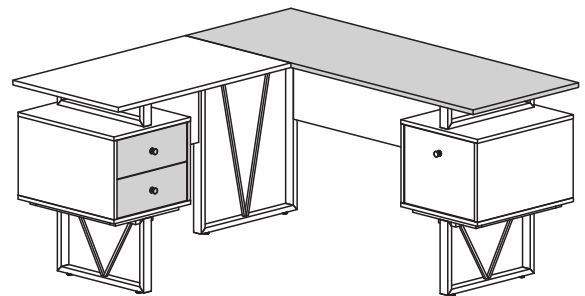
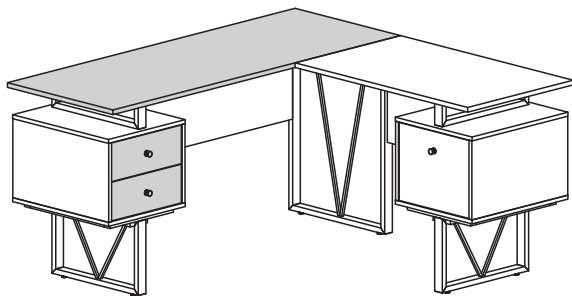
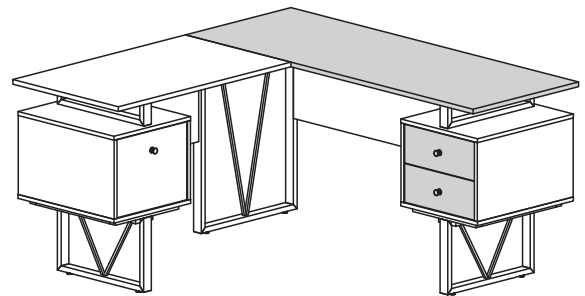
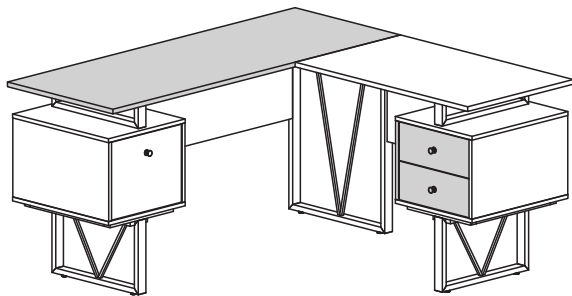


MODEL RTA-4809DL

ASSEMBLY INSTRUCTIONS

(REV.3-OL-9162-0925)

ASSEMBLES 4 WAYS!



Thank you for purchasing our product!

 **Ver el Manual en Español**



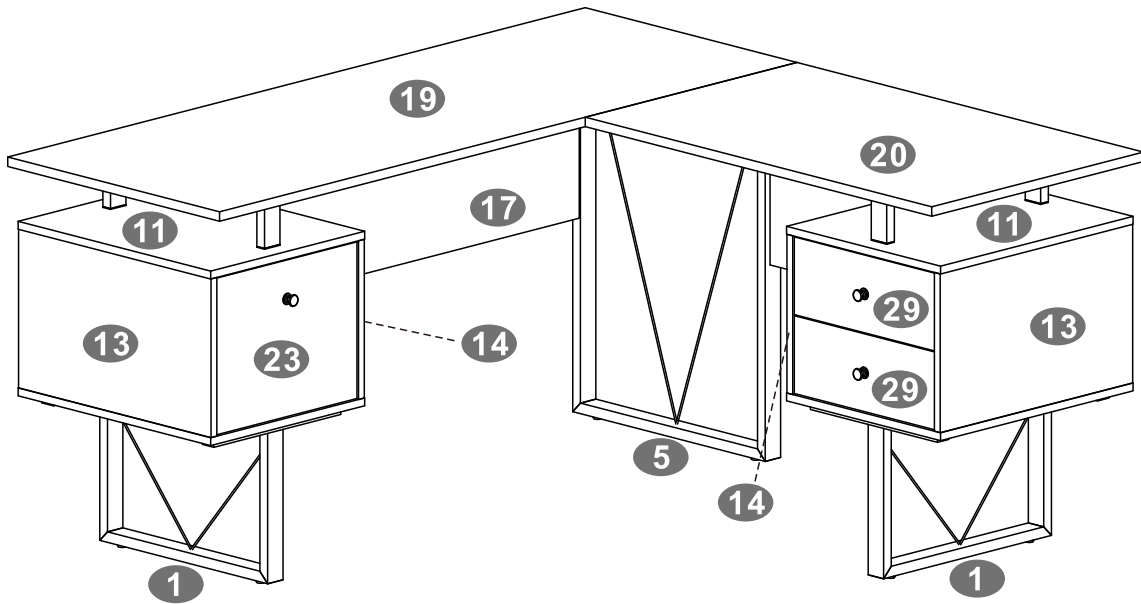
 **Visit our Website**



 **Contact Us**

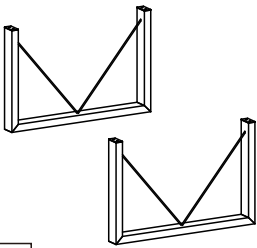


■ PARTS LIST



Short legs

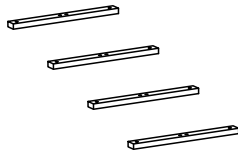
1



X2

Leg supports

2



X4

Top support #3

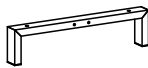
3



X1

Top support #4

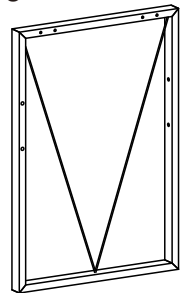
4



X1

Tall leg

5



X1

Long front tube

6



X1

Long back tube

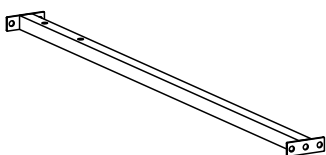
7



X1

Short tube

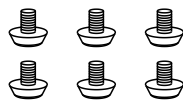
8



X1

Glide studs

9



X6

Handles

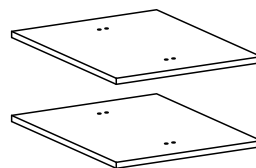
10



X3

Cabinet tops

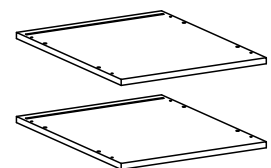
11



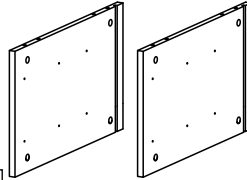
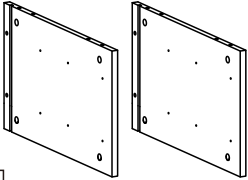
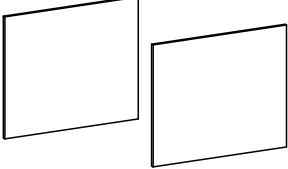
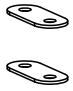
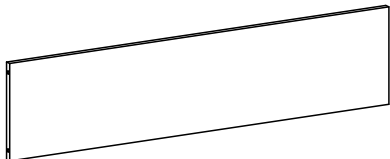
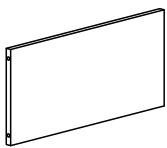
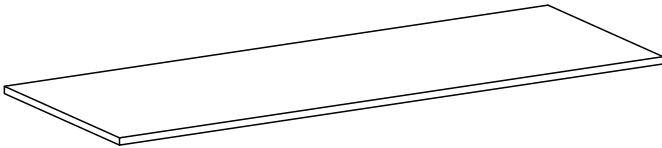
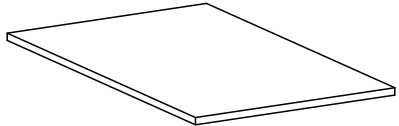
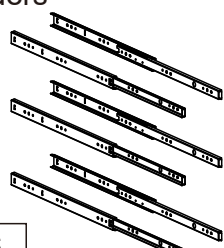
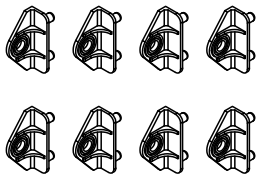
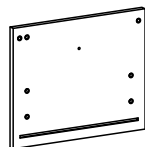
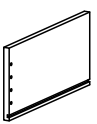
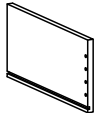
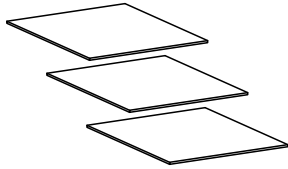
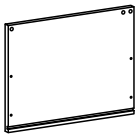
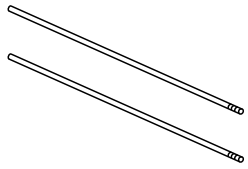
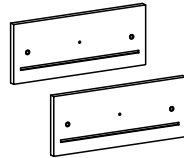
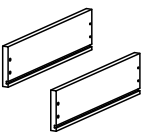
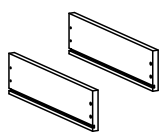
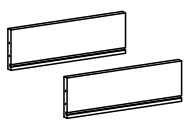
X2

Cabinet bottoms


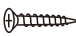







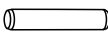
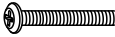

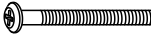



12

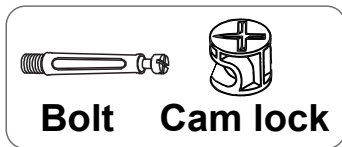


X2

<p>Cabinet side without back holes 13</p>  <p>X2</p>	<p>Cabinet side with back holes 14</p>  <p>X2</p>	<p>Cabinet back 15</p>  <p>X2</p>	<p>Connecting bracket 16</p>  <p>X2</p>
<p>Long back 17</p>  <p>X1</p>		<p>Short back 18</p>  <p>X1</p>	
<p>Long tabletop 19</p>  <p>X1</p>	<p>Short tabletop 20</p>  <p>X1</p>		
<p>Sliders 21</p>  <p>X6</p>	<p>Drawer connectors 22</p>  <p>X8</p>	<p>File drawer front 23</p>  <p>X1</p>	<p>File drawer left 24</p>  <p>X1</p>
<p>File drawer right 25</p>  <p>X1</p>	<p>Drawers bottom 26</p>  <p>X3</p>	<p>File drawer back 27</p>  <p>X1</p>	<p>File tubes 28</p>  <p>X2</p>
<p>Small drawer front 29</p>  <p>X2</p>	<p>Small drawer left 30</p>  <p>X2</p>	<p>Small drawer right 31</p>  <p>X2</p>	<p>Small drawer back 32</p>  <p>X2</p>

SCREWS LIST

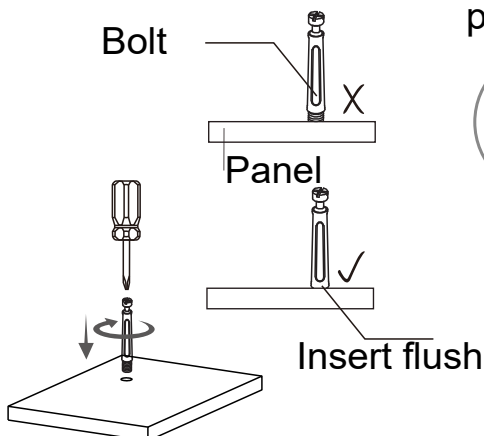
PART	QTY.	ITEM		PART	QTY.	ITEM	
A	10	6X30 MM		I	46	3X15 MM	
B	16	6X40 MM		J	12	4X35 MM	
C	22	6X12 MM		K	8	Φ 16MM	
D	25	6X25 MM		L	16	Φ 15 MM	
E	4	6X40 MM		M	16	8X30 MM	
F	2	6X45 MM		N	8	Φ 10 MM	
G	2	6X65 MM			1	M 4	
H	3	4X20 MM			1		



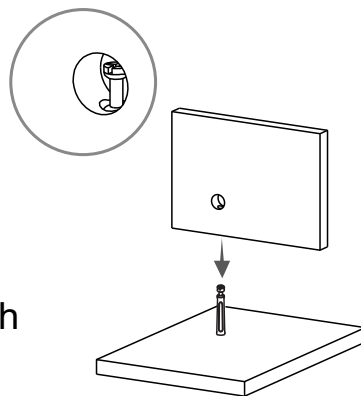
In some of the assembly steps you will use bolts and cam locks (also known as mini-fix). If you are not familiar with this kind of hardware, the below is a tutorial that explains how to use them.

The instructions below are **ONLY A TUTORIAL** for bolts and cam locks. The actual assembly starts on the next page.

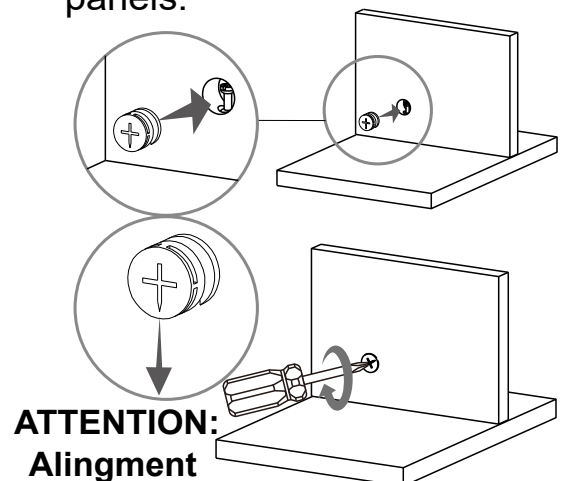
1. Install the bolt into the first panel.



2. Join the second panel by inserting it into the bolt of the first panel.



3. Insert the cam lock and turn it to lock both panels.



■ ASSEMBLY STEPS:

0 1 2 3 4 5 6 7 8 9 10 11 12 13 14 15 16 17 18 19 20 21 22 23 24

1

Attach #9 to #1 and #5.

2

Attach #22 to #24 and #25 with I.

Screws/Tools

I 3X15 MM x8

(Front) (Back)

Pay attention to the orientation.

3

FIRST: Attach #23 to #22 (on #24 and #25) with C.

THEN: Insert #26.

Screws/Tools

C 6X12 MM x4

(Top) (Left) (Right)

4

Attach #27 to #24 and #25 with J.

Screws/Tools

J 4X35 MM x4

5

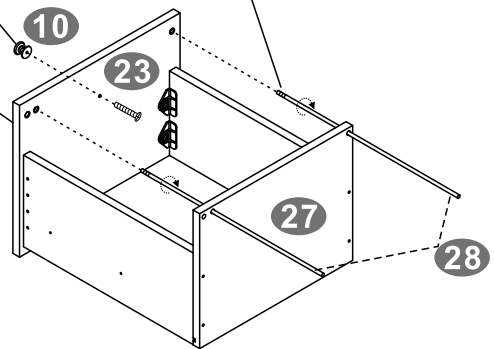
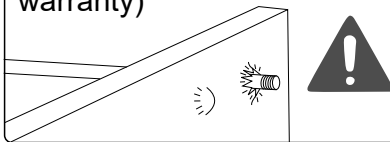
FIRST: Attach #10 to #23 with H.

THEN: Insert #28 through #27 and into #23.

⚠ PAY ATTENTION!
Do not overtighten #28 to avoid accidental humps or perforation. (This kind of damage is not covered by the product's warranty)

Screws/Tools

H 4X20 MM
x1

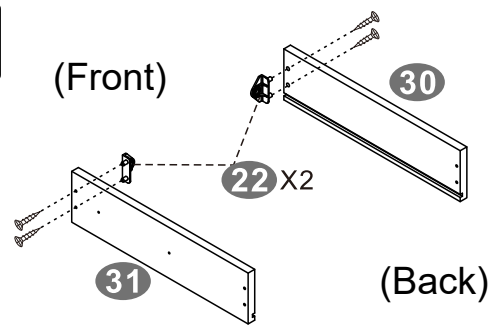


6

For each of the small drawers, attach #22 to #30 and #31.

Screws/Tools

I 3X15 MM
x4



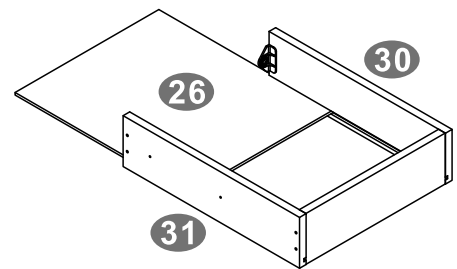
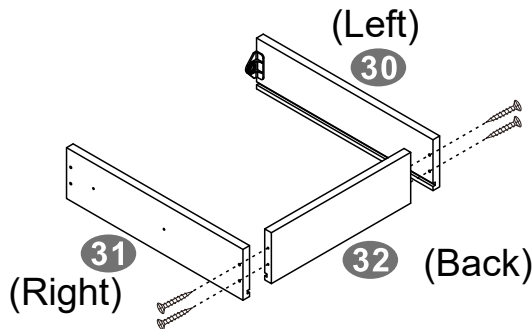
7

FIRST: For each of the small drawers, attach #32 to #30 and #31 with J.

THEN: For each of the small drawers, insert #26.

Screws/Tools

J 4X35 MM
x4



8

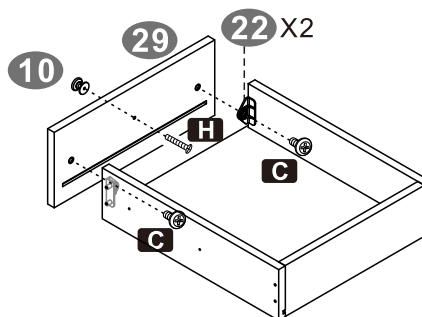
For each of the small drawers, attach #29 to #22 with C, and #10 to #29 with H.

Screws/Tools

C 6X12 MM
x2



H 4X20 MM
x1

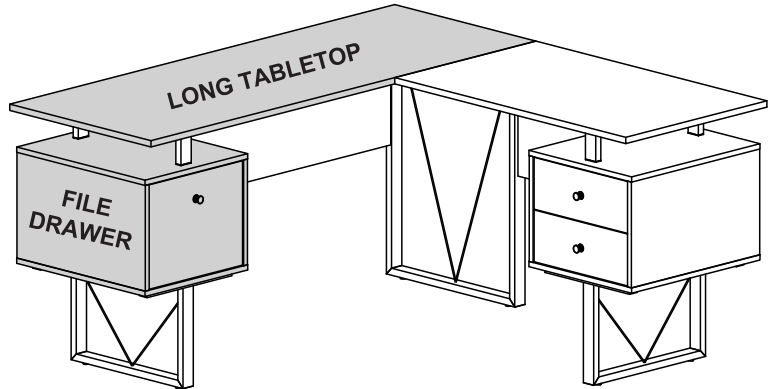


9

There are 4 options to assemble this desk, please choose the one of your preference, and follow the indicated set of instructions.

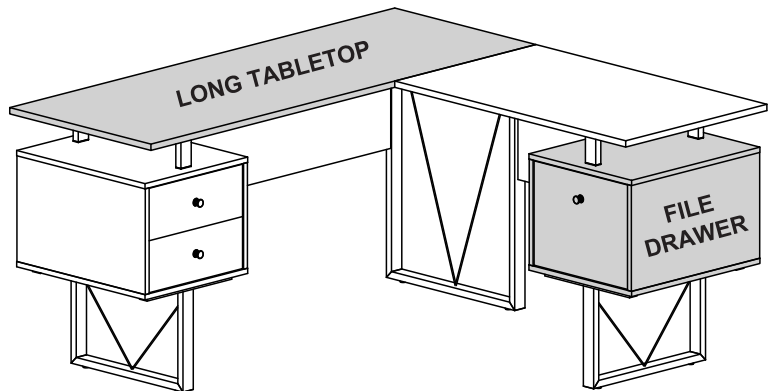
A A1-A14

File drawer and long tabletop on the LEFT:
Follow instructions A1 through A14 in pages 8 through 12.



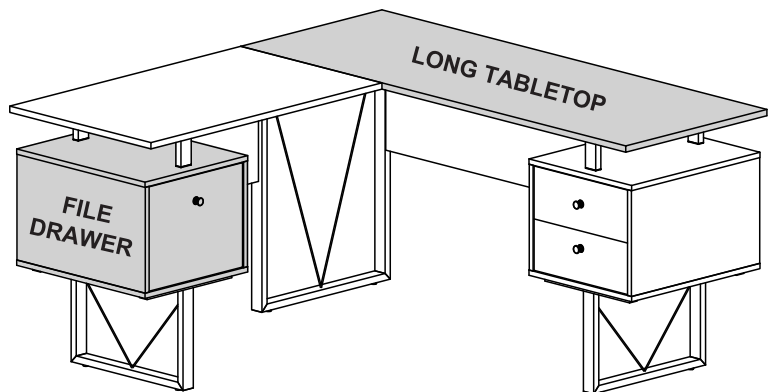
B B1-B14

File drawer on the RIGHT with the long tabletop on the LEFT:
Follow instructions B1 through B14 in pages 13 through 17.



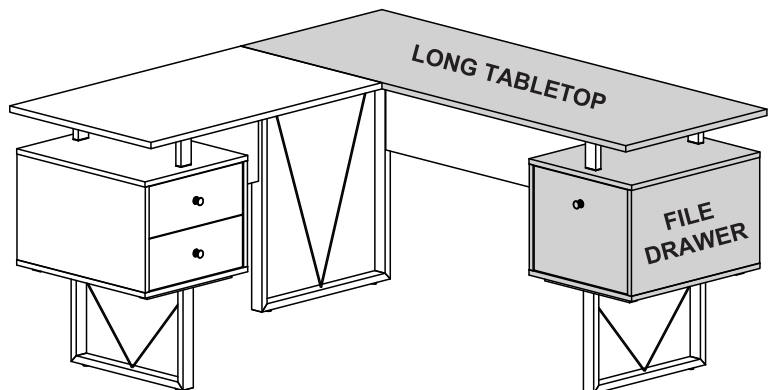
C C1-C8

File drawer on the LEFT with the long tabletop on the RIGHT:
Follow instructions C1 through C8 in pages 18 through 20.



D D1-D8

File drawer and long tabletop on the RIGHT:
Follow instructions D1 through D8 in pages 21 through 23.



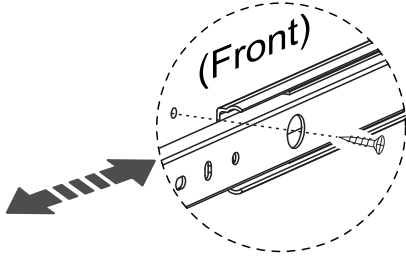
A1

Attach #21 at the FRONT holes of #13 and #14 with I through the big opening.



TIP!

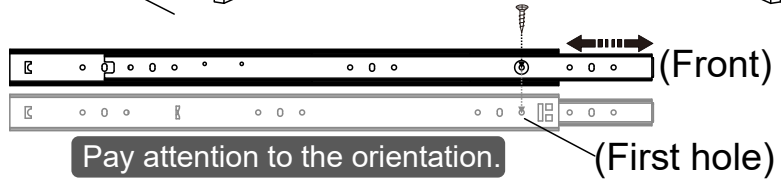
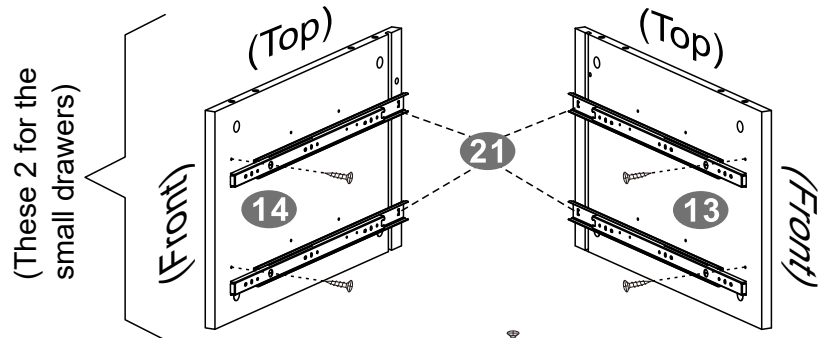
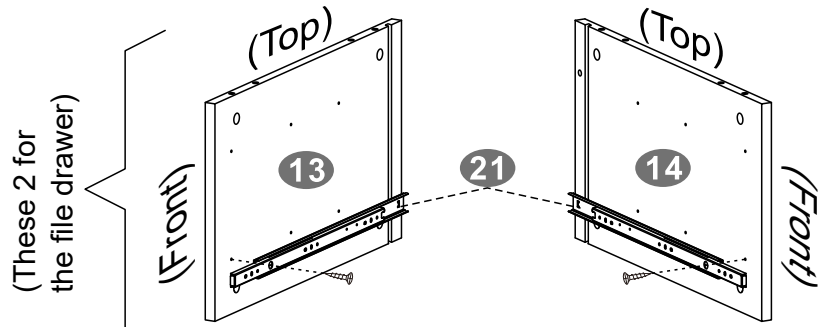
Slide #21 to find the front hole through the big opening.



-Screws/Tools

3X15 MM

x6



Pay attention to the orientation.

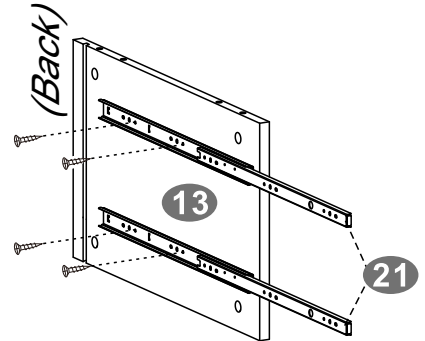
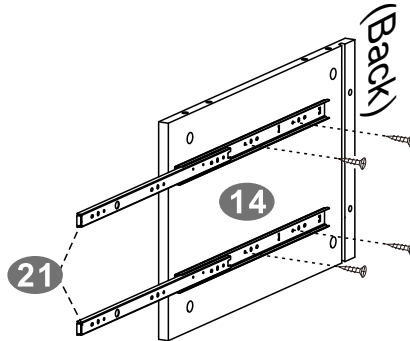
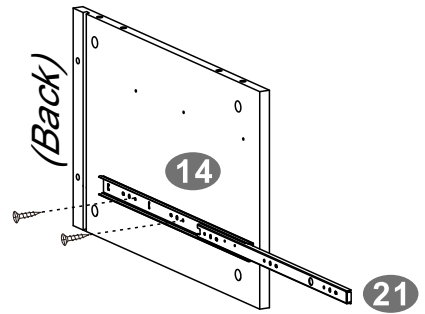
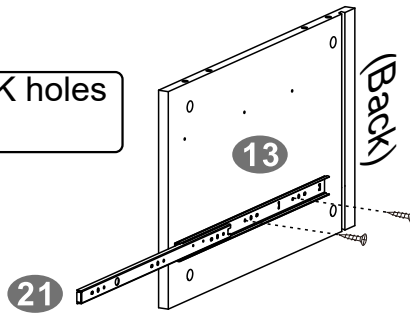
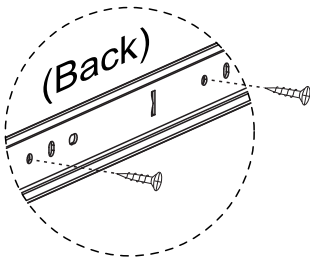
A2

Secure #21 at the BACK holes of #13 and #14 with I.



TIP!

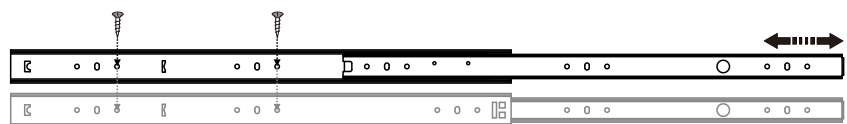
Extend #21 all the way to find the two back holes.



-Screws/Tools

3X15 MM





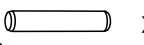

x12

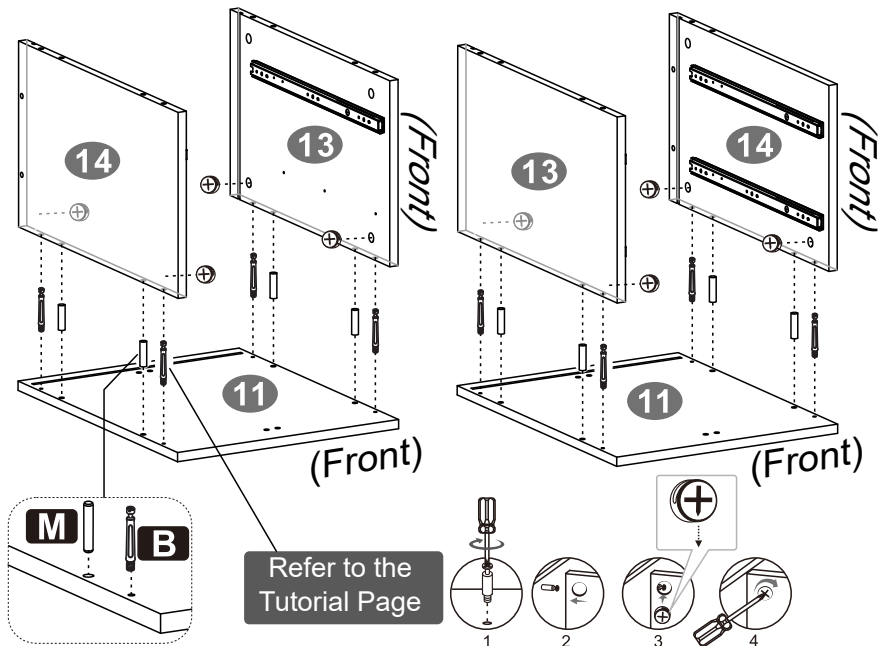


A3

Attach #11 to #13 and #14 with B, L and M.

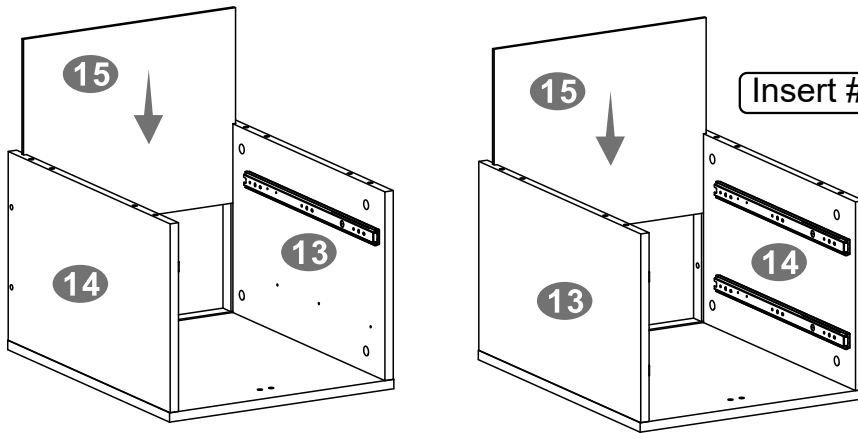
Screws/Tools

- B** 6X40 MM  x8 
- L** Φ 15 MM  x8 
- M** 8X30 MM  x8 



A4







Insert #15 through the grooves.

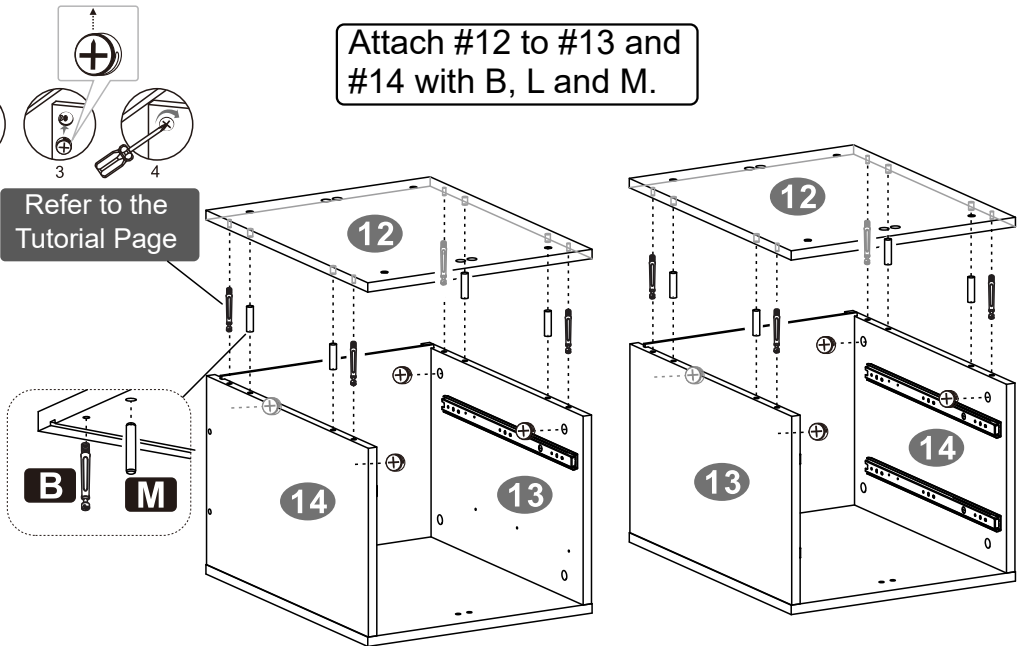


A5

Attach #12 to #13 and #14 with B, L and M.

Screws/Tools

- B** 6X40 MM  x8 
- L** Φ 15 MM  x8 
- M** 8X30 MM  x8 



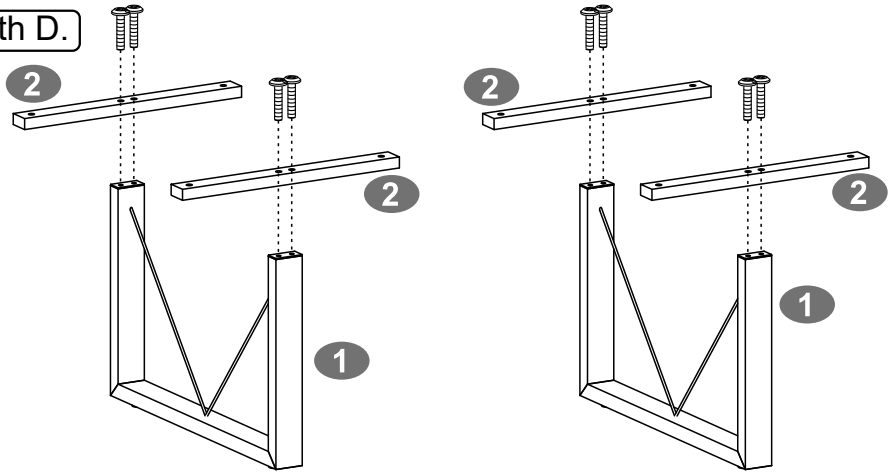
A6

Attach #2 to #1 with D.

Screws/Tools

D 6X25 MM

x8



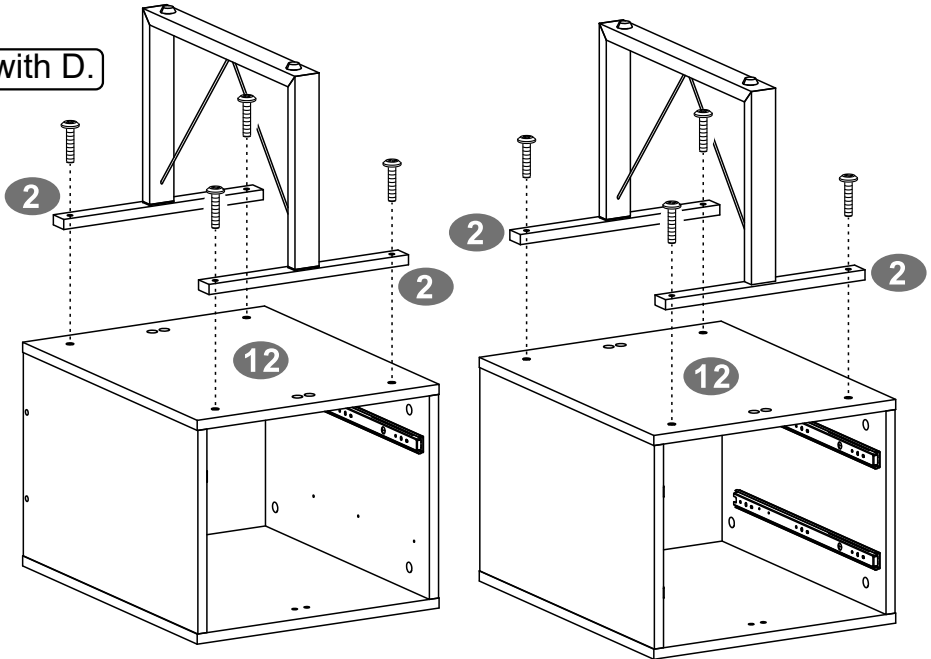
A7

Attach #2 to #12 with D.

Screws/Tools

D 6X25 MM

x8



A8

- Use E and N to attach #17 to #14 with single slider.
- Use G and N to attach #17 to #5.

Screws/Tools

E 6X40 MM

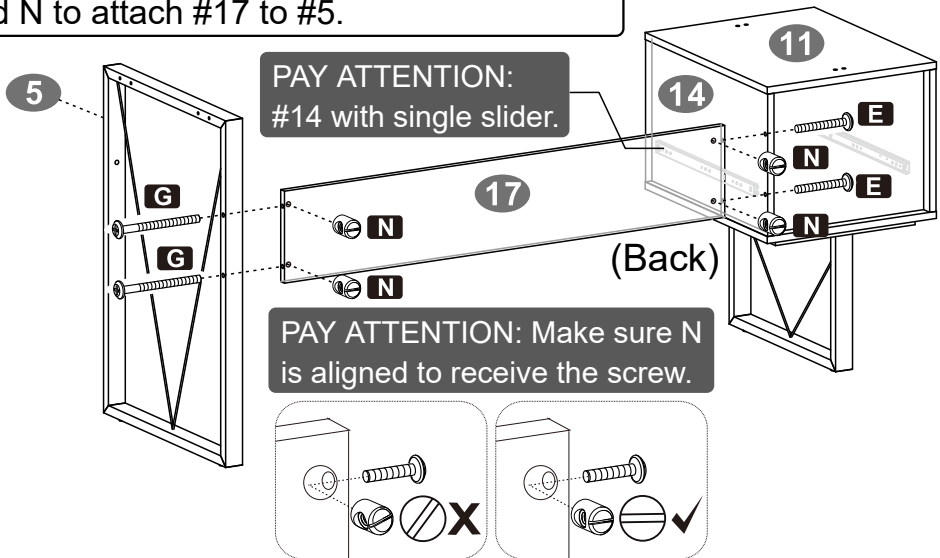
x2

G 6X65 MM

x2

N Φ 10 MM

x4



A9



- Attach #18 to #14 with E and N.
- Attach #18 to #5 with F and N.

PAY ATTENTION: Make sure N is aligned to receive the screw.

-Screws/Tools

E 6X40 MM

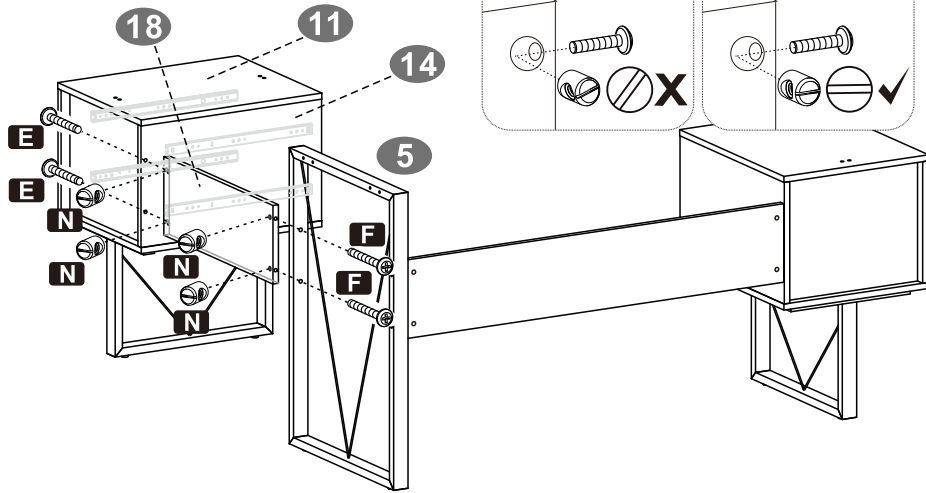
x2

F 6X45 MM

x2

N Φ 10 MM

x4



A10

- Attach #3 to #11 on the LEFT with D and K.
- Attach #4 to #11 on the RIGHT with D and K.

(Holes towards the inside)

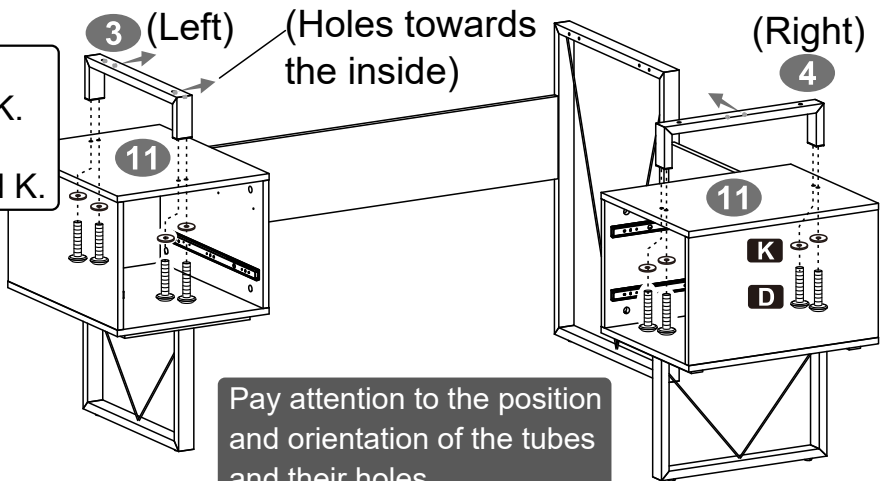
-Screws/Tools

D 6X25 MM

x8

K Φ 16MM

x8



Pay attention to the position and orientation of the tubes and their holes.

A11

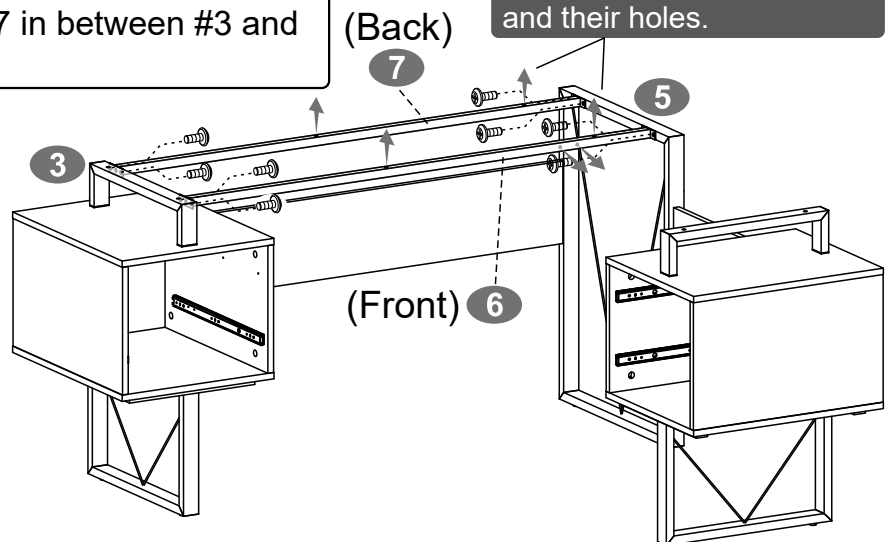
- use C to attach #6 in between #3 and #5 AT THE FRONT.
- Use C to attach #7 in between #3 and #5 AT THE BACK.

PAY ATTENTION: Pay attention to the position and orientation of the tubes and their holes.

-Screws/Tools

C 6X12 MM

x8

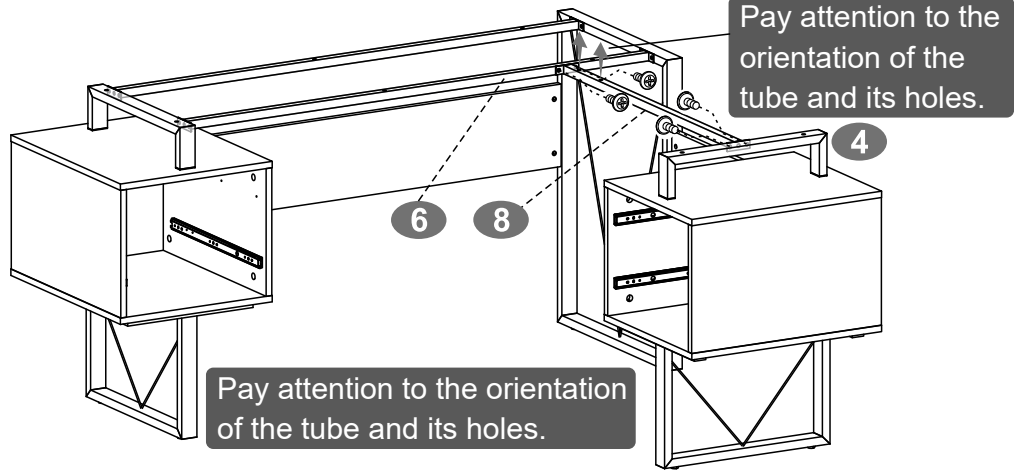


A12

Attach #8 in between #4 and #6 with C.

Screws/Tools

C 6X12 MM
x4



A13

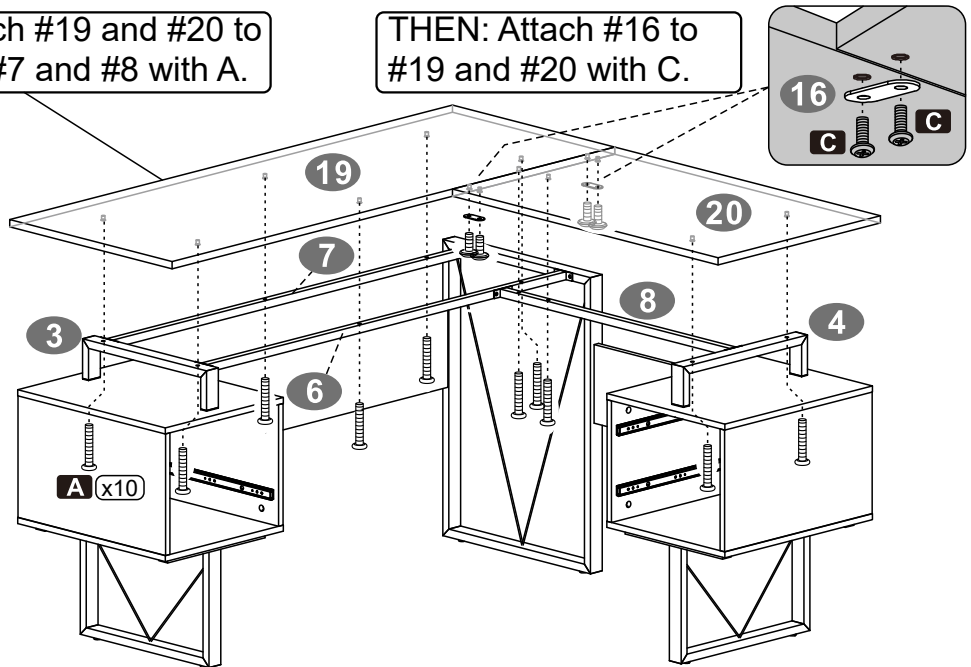
FIRST: Attach #19 and #20 to #3, #4, #6, #7 and #8 with A.

THEN: Attach #16 to #19 and #20 with C.

Screws/Tools

A 6X30 MM
x10

C 6X12 MM
x4

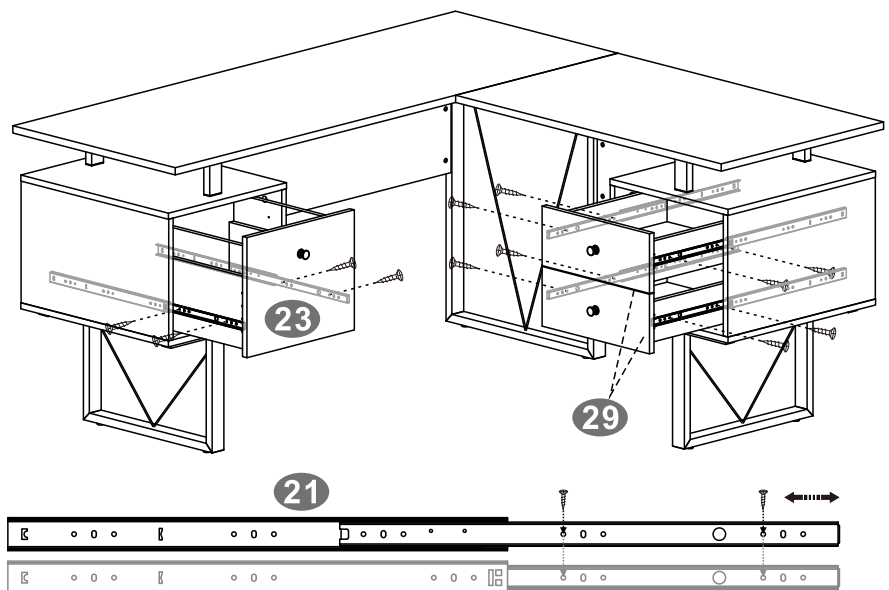


A14

FINALLY: Extend the sliders #21, and use I to attach to them the file drawer on the LEFT and the small drawers on the RIGHT as indicated.

Screws/Tools

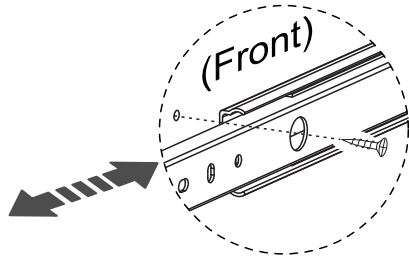
I 3X15 MM
x12



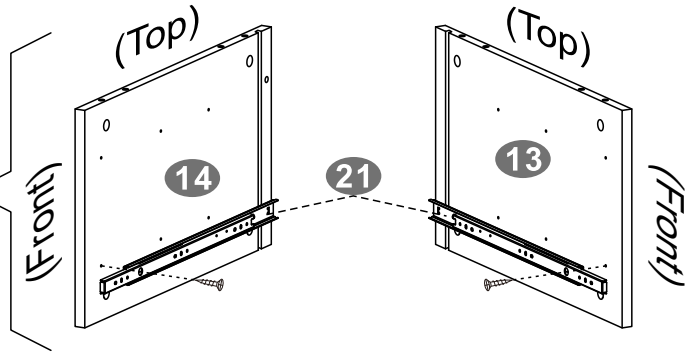
B1

Attach #21 at the FRONT holes of #13 and #14 with I through the big opening.

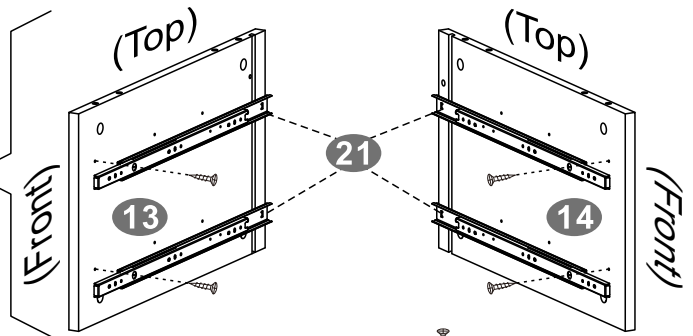
TIP! Slide #21 to find the front hole through the big opening.



(These 2 for the file drawer)



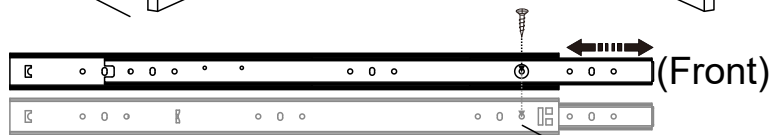
(These 2 for the small drawers)



Screws/Tools

3X15 MM

x6



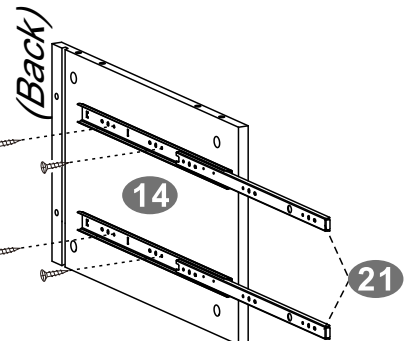
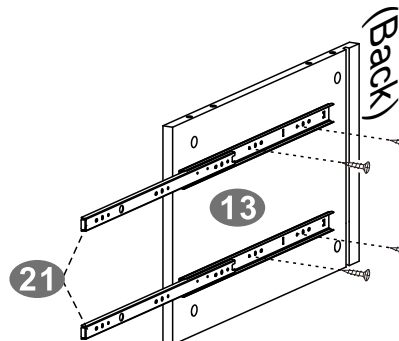
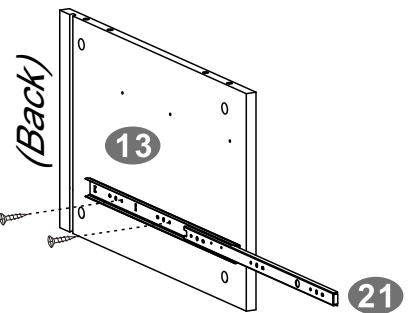
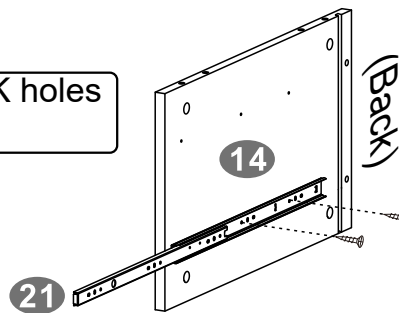
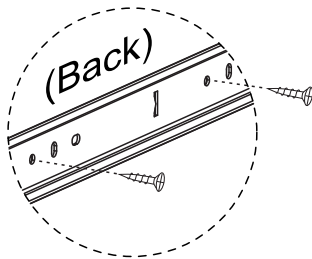
Pay attention to the orientation.

(First hole)

B2

Secure #21 at the BACK holes of #13 and #14 with I.

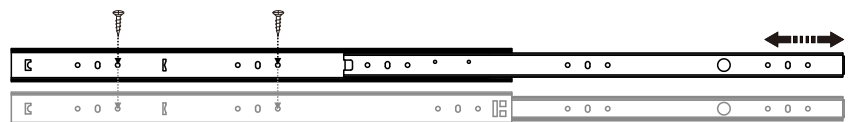
TIP! Extend #21 all the way to find the two back holes.



Screws/Tools

3X15 MM

x12



B3

Attach #11 to #13 and #14 with B, L and M.

-Screws/Tools

B 6X40 MM

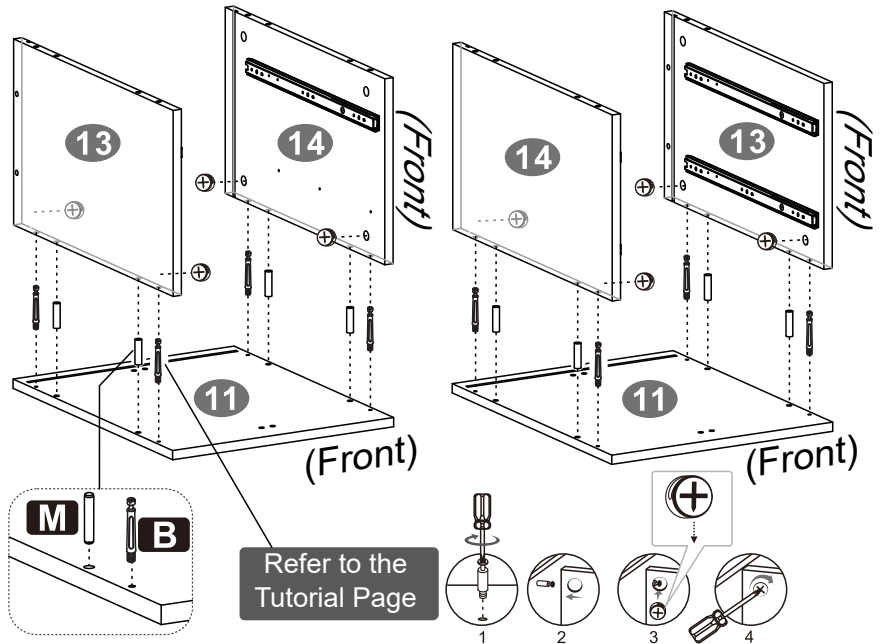
x8

L Φ 15 MM

x8

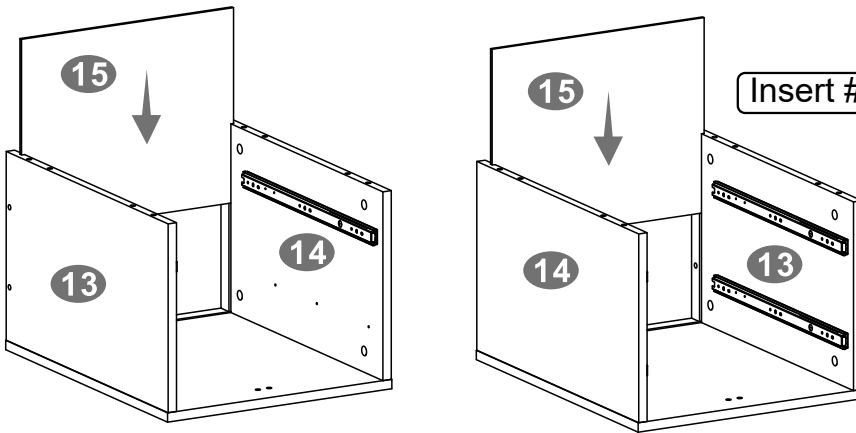
M 8X30 MM

x8



B4

Insert #15 through the grooves.



B5

Attach #12 to #13 and #14 with B, L and M.

Refer to the Tutorial Page

-Screws/Tools

B 6X40 MM

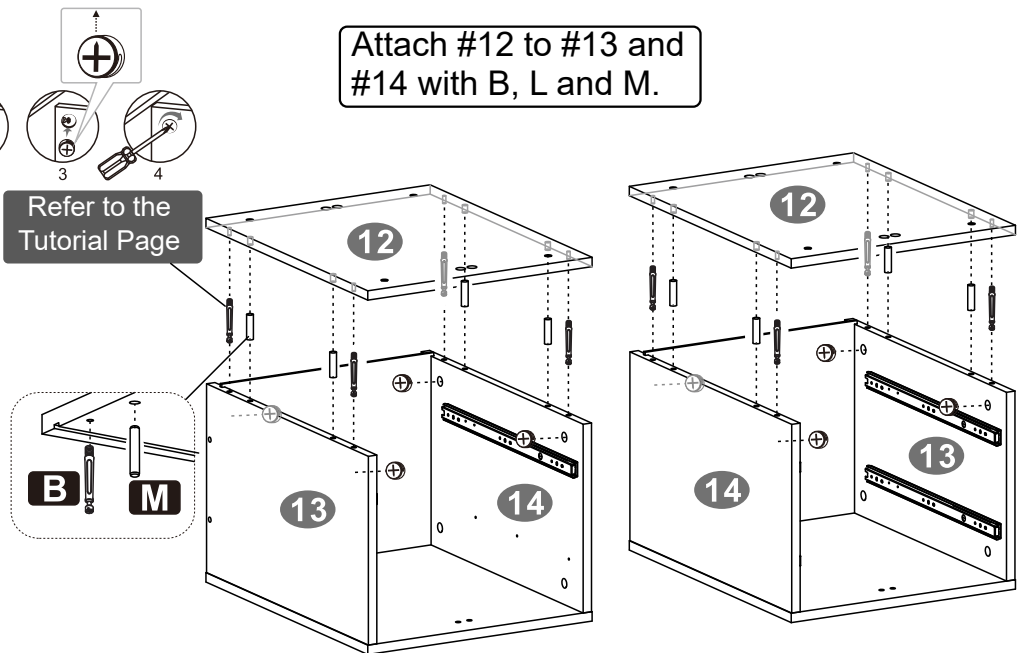
x8

L Φ 15 MM

x8

M 8X30 MM

x8



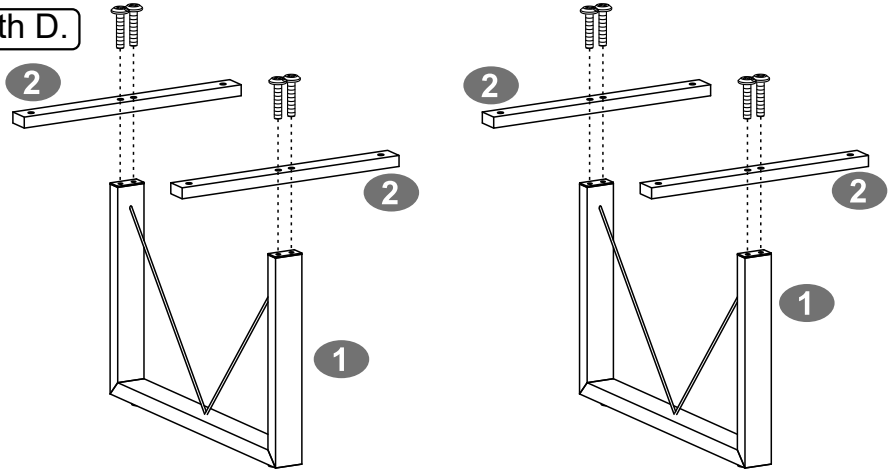
B6

Attach #2 to #1 with D.

-Screws/Tools

D 6X25 MM

 x8 



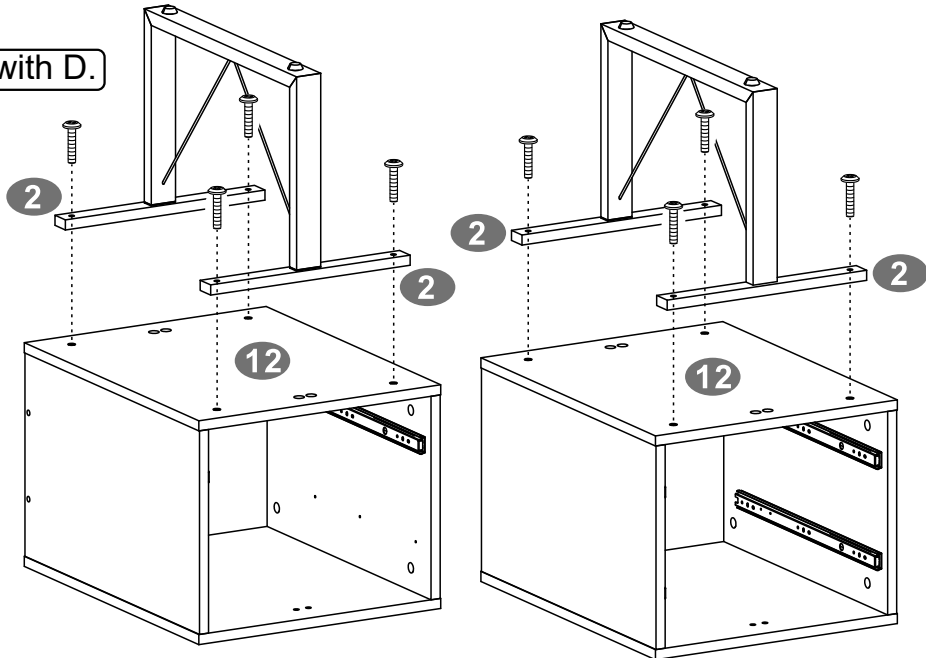
B7

Attach #2 to #12 with D.

-Screws/Tools

D 6X25 MM

 x8 



B8



- Use E and N to attach #17 to #14 with double slider.
- Use G and N to attach #17 to #5.

-Screws/Tools

E 6X40 MM

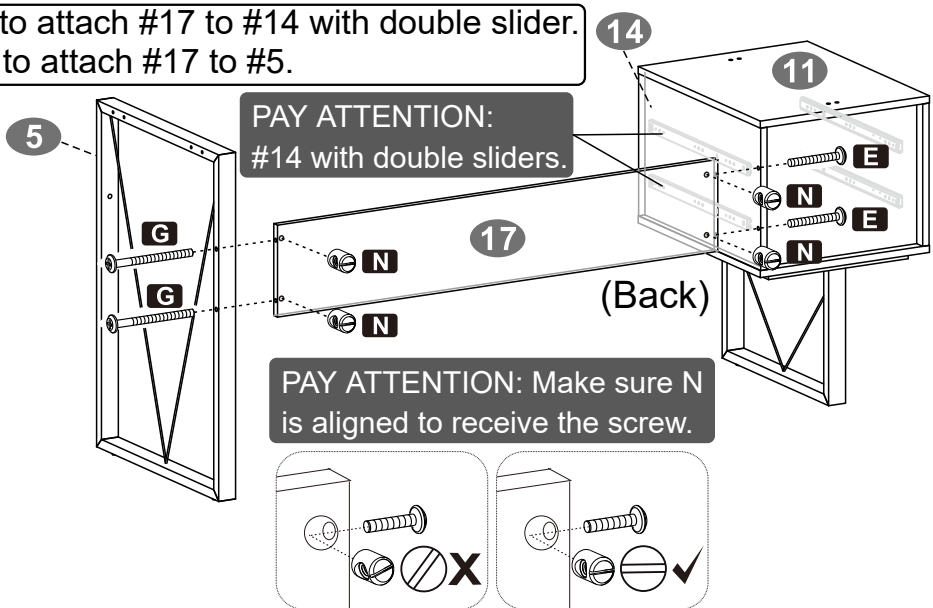
 x2 

G 6X65 MM

 x2

N Φ 10 MM

 x4



B9

- Attach #18 to #14 with E and N.
- Attach #18 to #5 with F and N.

PAY ATTENTION: Make sure N is aligned to receive the screw.

-Screws/Tools

E 6X40 MM

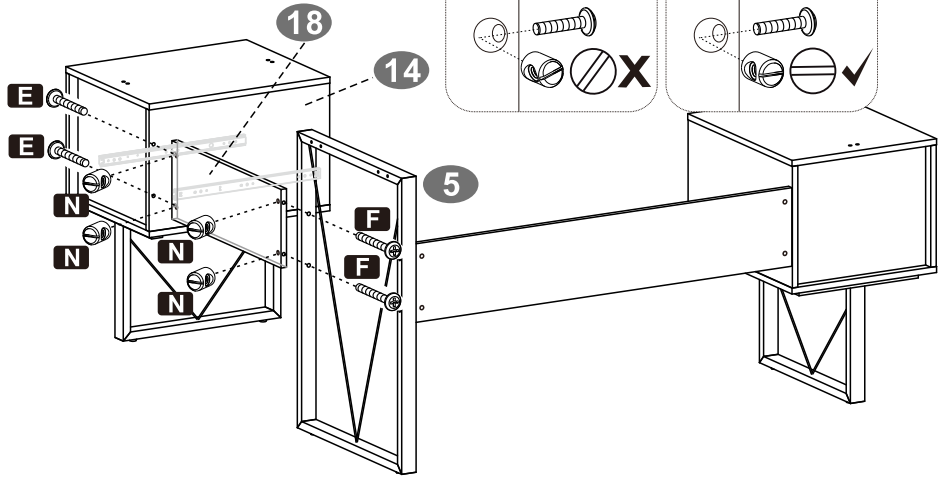
x2

F 6X45 MM

x2

N Φ 10 MM

x4



B10

- Attach #3 to #11 on the LEFT with D and K.
- Attach #4 to #11 on the RIGHT with D and K.

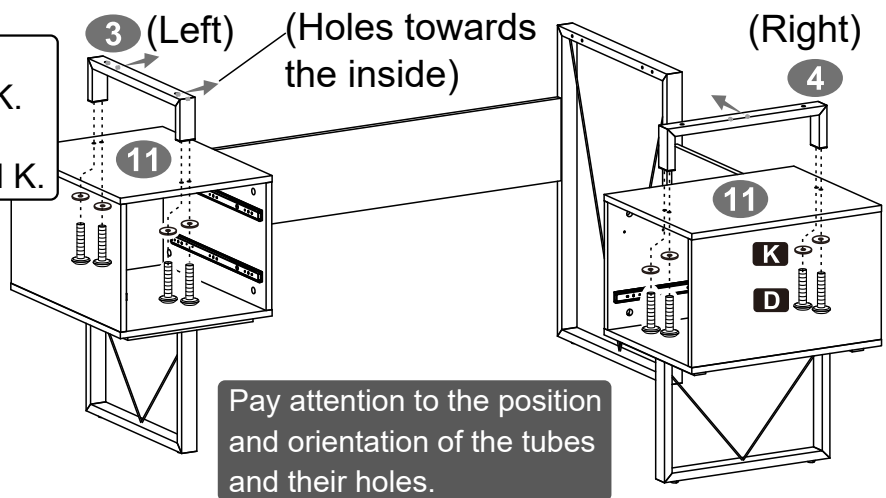
-Screws/Tools

D 6X25 MM

x8

K Φ 16MM

x8



B11

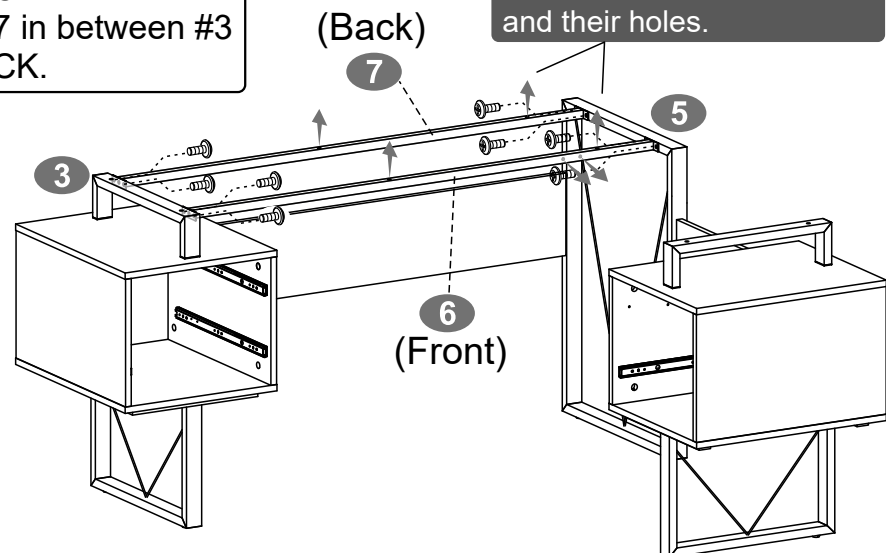
- use C to attach #6 in between #3 and #5 AT THE FRONT.
- Use C to attach #7 in between #3 and #5 AT THE BACK.

PAY ATTENTION: Make sure N is aligned to receive the screw.

-Screws/Tools

C 6X12 MM

x8



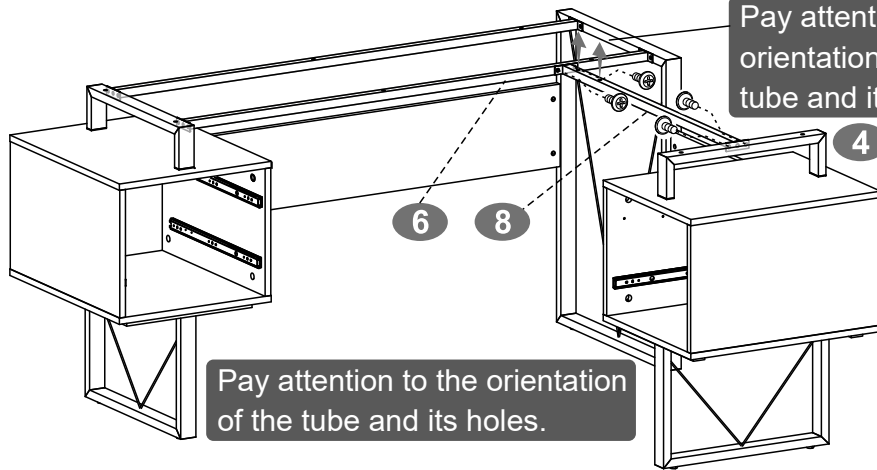
B12

Attach #8 in between #4 and #6 with C.

Screws/Tools

C 6X12 MM

x4



Pay attention to the orientation of the tube and its holes.

Pay attention to the orientation of the tube and its holes.

B13

FIRST: Attach #19 and #20 to #3, #4, #6, #7 and #8 with A.

THEN: Attach #16 to #19 and #20 with C.

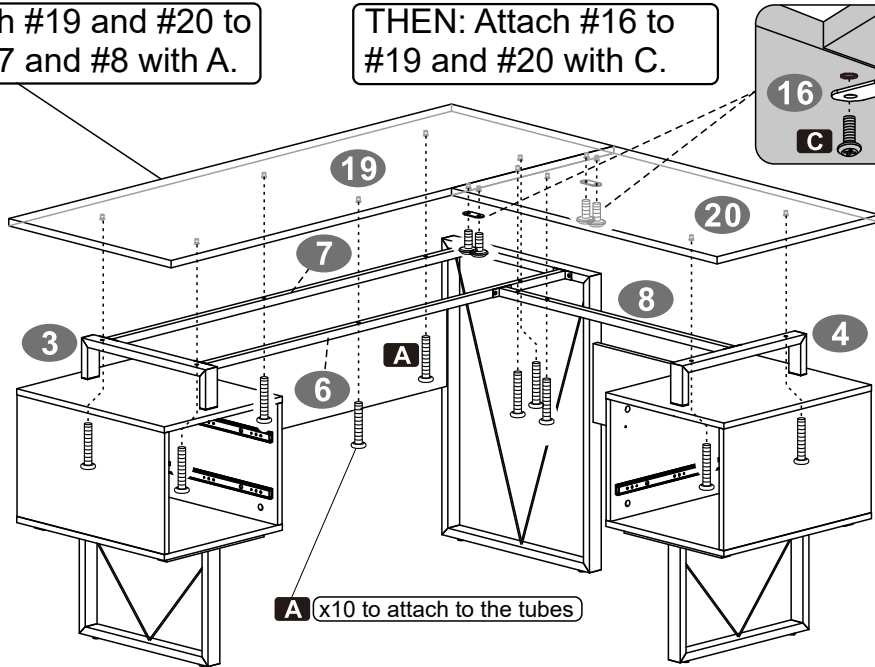
Screws/Tools

A 6X30 MM

x10

C 6X12 MM

x4



A x10 to attach to the tubes

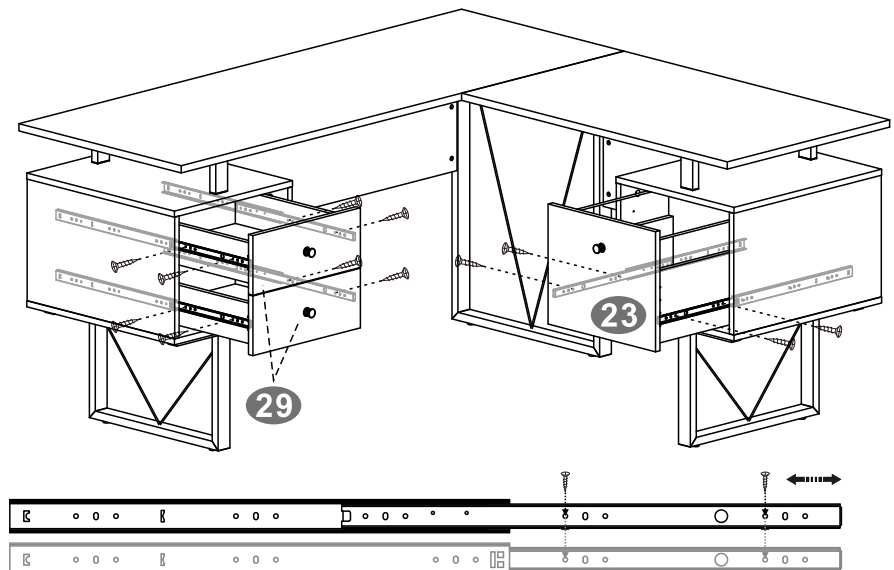
B14

FINALLY: Extend the sliders #21, and use I to attach to them the file drawer on the RIGHT and the small drawers on the LEFT as indicated.

Screws/Tools

I 3X15 MM

x12





C1

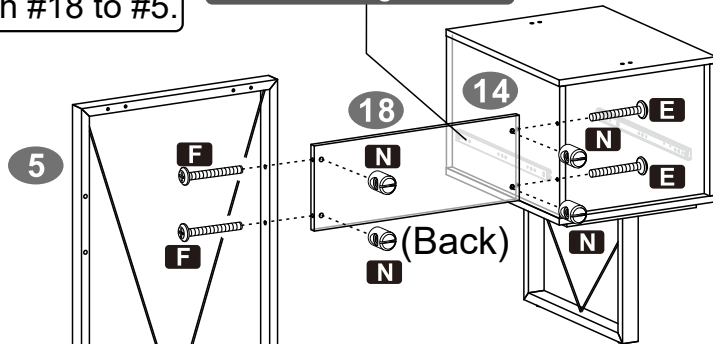
Start the assembly of option C by doing the same steps A1 through A7 in pages 8 through 10. When you are finished with step A7, come back to this page and continue with steps C2 through C8.

C2

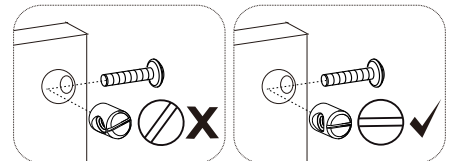


- Use E and N to attach #18 to #14 with single slider.
- Use F and N to attach #18 to #5.

PAY ATTENTION:
#14 with single slider.

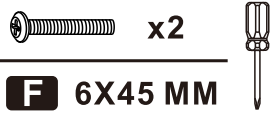


PAY ATTENTION: Make sure N is aligned to receive the screw.



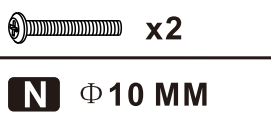
Screws/Tools

E 6X40 MM



x2

F 6X45 MM



x2

N Φ 10 MM



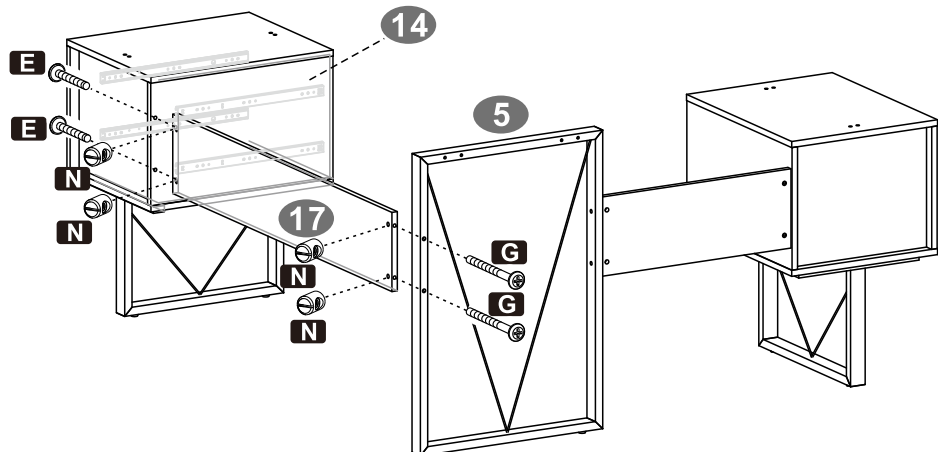
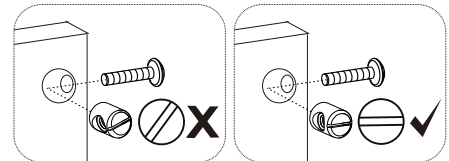
x4

C3



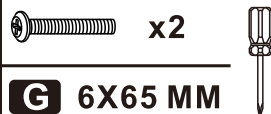
- Attach #17 to #14 with E and N.
- Attach #17 to #5 with G and N.

PAY ATTENTION: Make sure N is aligned to receive the screw.



Screws/Tools

E 6X40 MM



x2

G 6X65 MM



x2

N Φ 10 MM



x4

C4

- Attach #4 to #11 on the LEFT with D and K.
- Attach #3 to #11 on the RIGHT with D and K.

Pay attention to the position and orientation of the tubes and their holes.

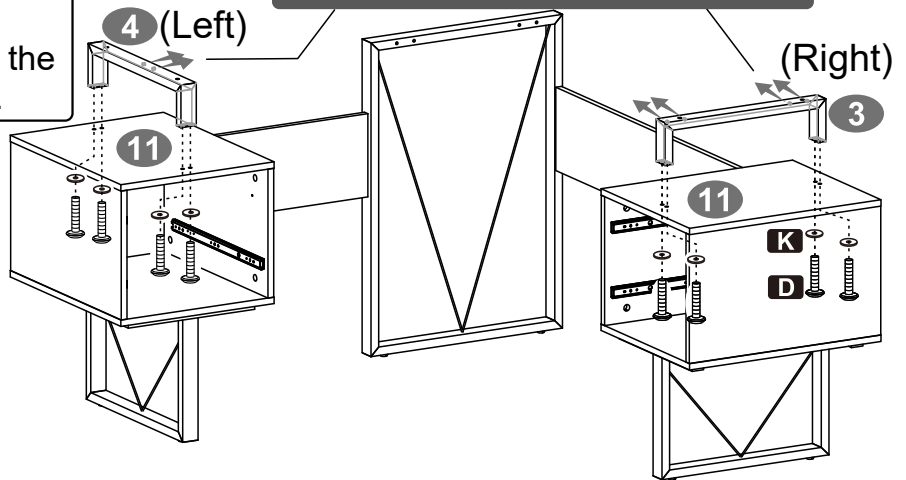
Screws/Tools

D 6X25 MM

x8

K Φ 16MM

x8



C5

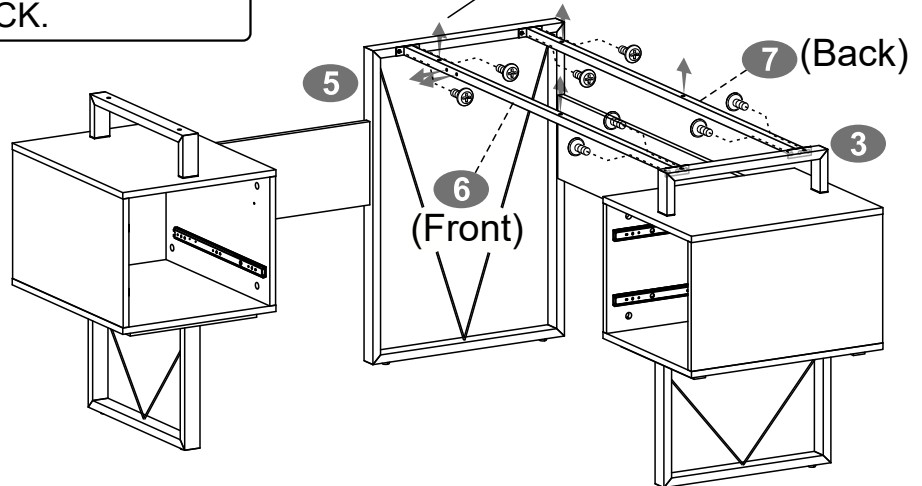
- Use C to attach #6 in between #3 and #5 AT THE FRONT.
- Use C to attach #7 in between #3 and #5 AT THE BACK.

Pay attention to the orientation of the tube and its holes.

Screws/Tools

C 6X12 MM

x8



C6

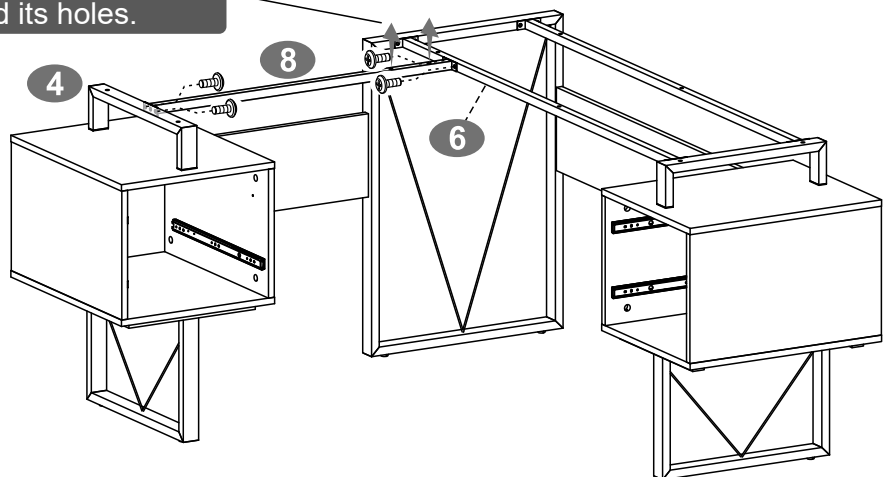
Pay attention to the orientation of the tube and its holes.

Attach #8 in between #4 and #6 with C.

Screws/Tools

C 6X12 MM

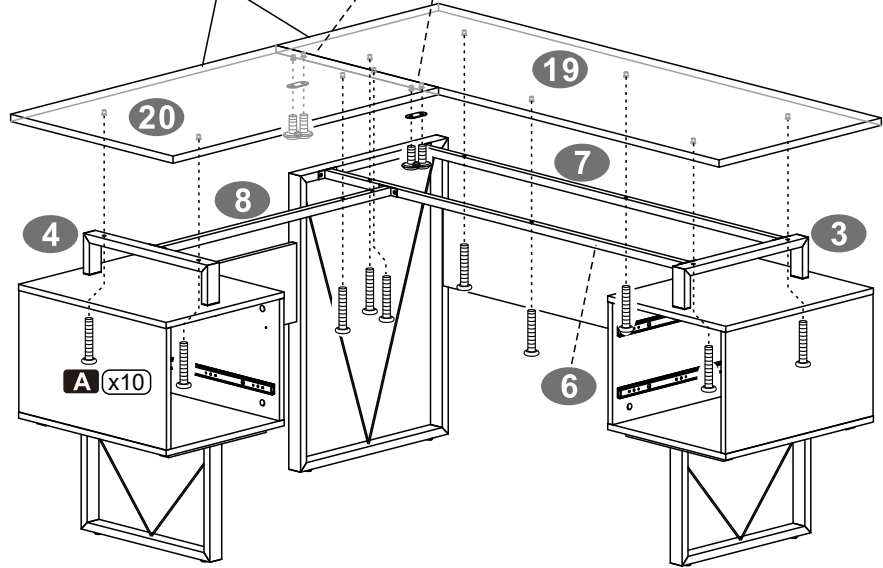
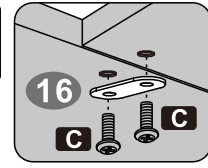
x4






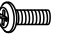

FIRST: Attach #19 and #20 to #3, #4, #6, #7 and #8 with A.

THEN: Attach #16 to #19 and #20 with C.



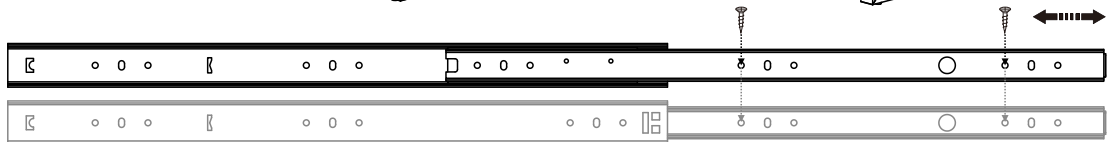
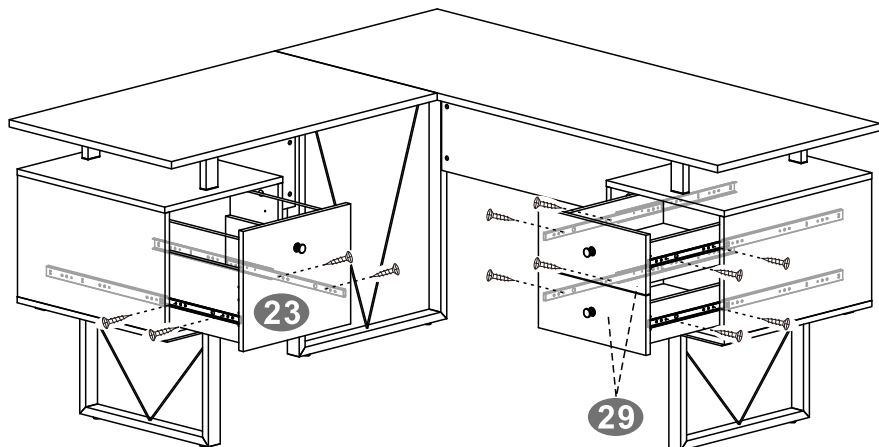
Screws/Tools

A 6X30 MM  x10 


C 6X12 MM  x4 



FINALLY: Extend the sliders #21, and use I to attach the file drawer on the LEFT and the small drawers on the RIGHT as indicated.



Screws/Tools

I 3X15 MM  x12 

D1

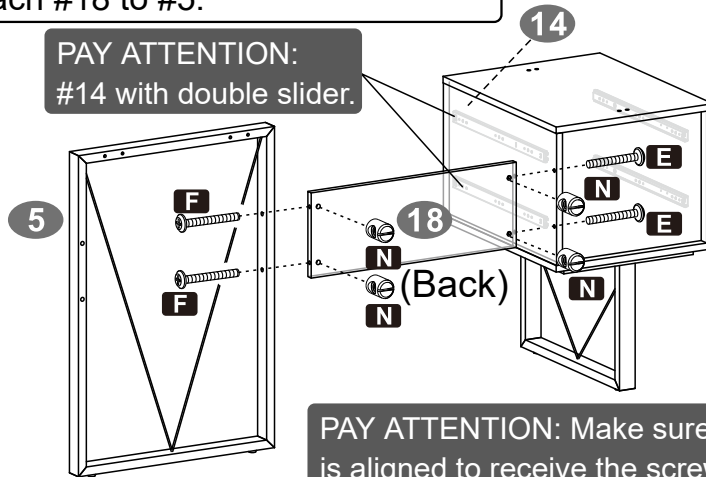
Start the assembly of option D by doing the same steps B1 through B7 in pages 13 through 15. When you are finished with step B7, come back to this page and continue with steps D2 through D8.

D2

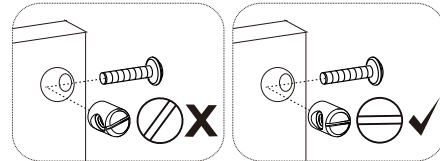


- Use E and N to attach #18 to #14 with double slider.
- Use F and N to attach #18 to #5.

PAY ATTENTION:
#14 with double slider.



PAY ATTENTION: Make sure N is aligned to receive the screw.



-Screws/Tools

E 6X40 MM



x2

F 6X45 MM



x2

N Φ 10 MM



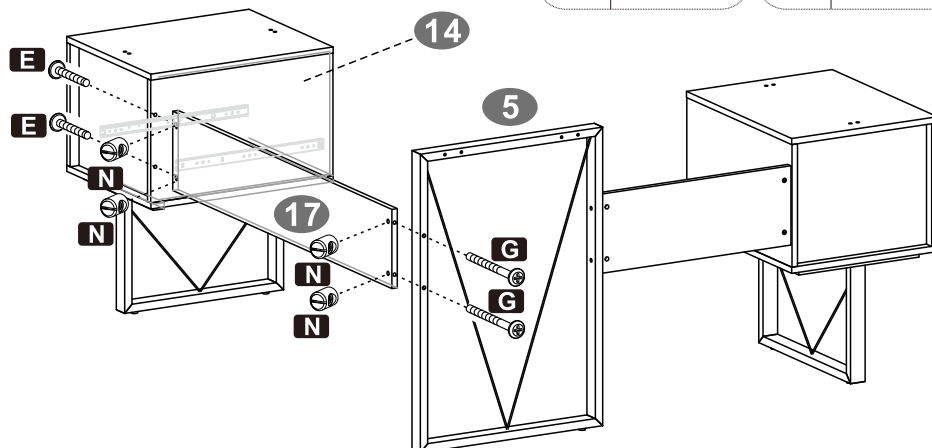
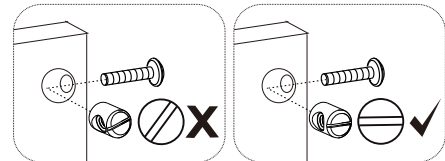
x4

D3



- Attach #17 to #14 with E and N.
- Attach #17 to #5 with G and N.

PAY ATTENTION: Make sure N is aligned to receive the screw.



-Screws/Tools

E 6X40 MM



x2

G 6X65 MM



x2

N Φ 10 MM

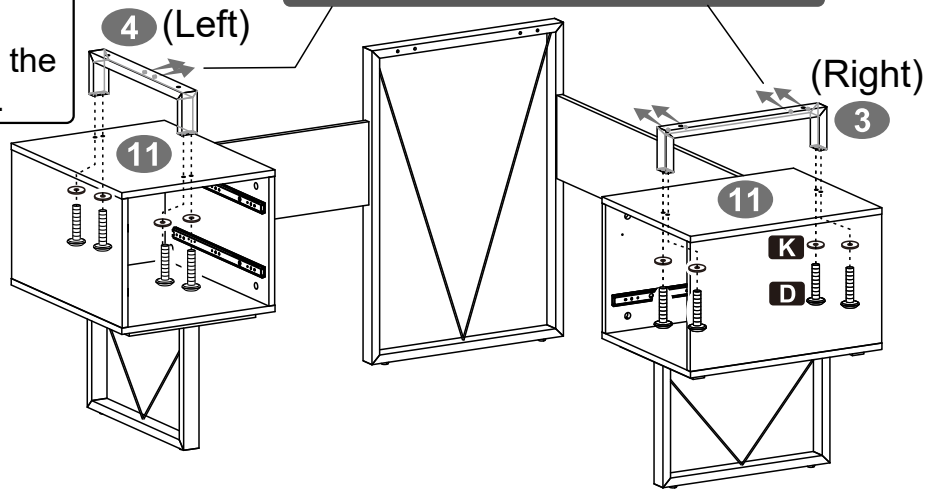


x4

D4

- Attach #4 to #11 on the LEFT with D and K.
- Attach #3 to #11 on the RIGHT with D and K.

Pay attention to the position and orientation of the tubes and their holes.



Screws/Tools

D 6X25 MM

x8

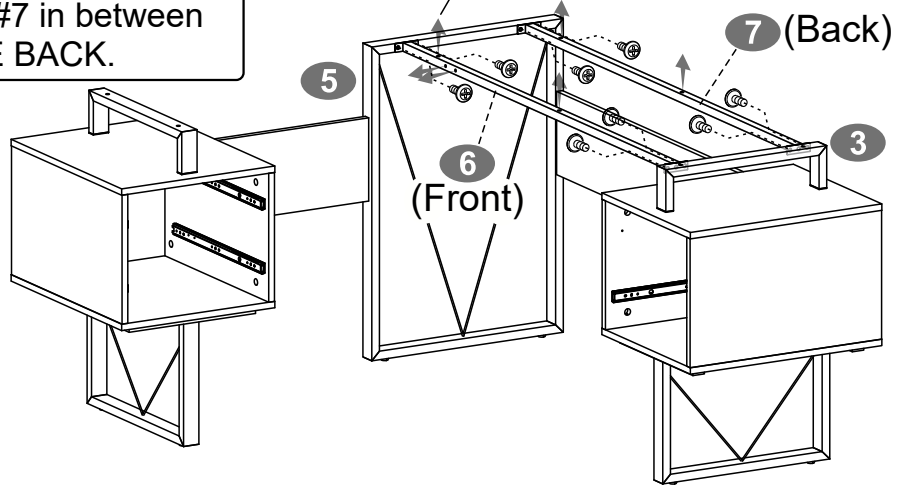
K Φ 16MM

x8

D5

- Use C to attach #6 in between #3 and #5 AT THE FRONT.
- Use C to attach #7 in between #3 and #5 AT THE BACK.

Pay attention to the orientation of the tube and its holes.



Screws/Tools

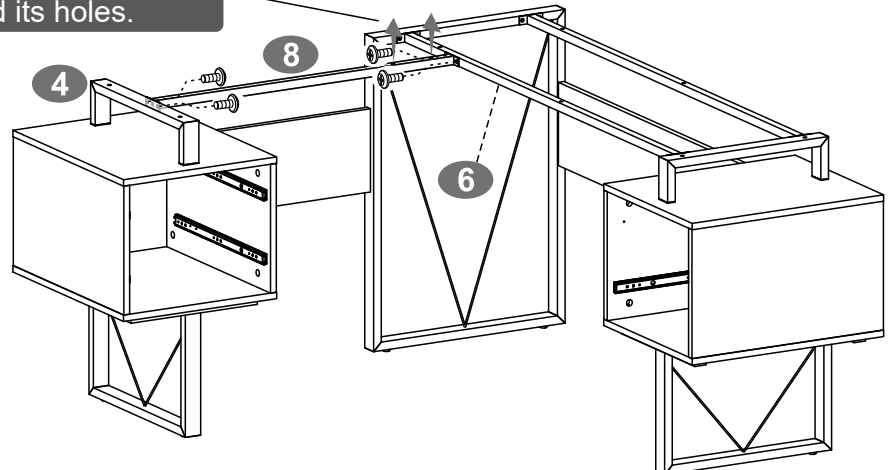
C 6X12 MM

x8

D6

Pay attention to the orientation of the tube and its holes.

- Attach #8 in between #4 and #6 with C.



Screws/Tools

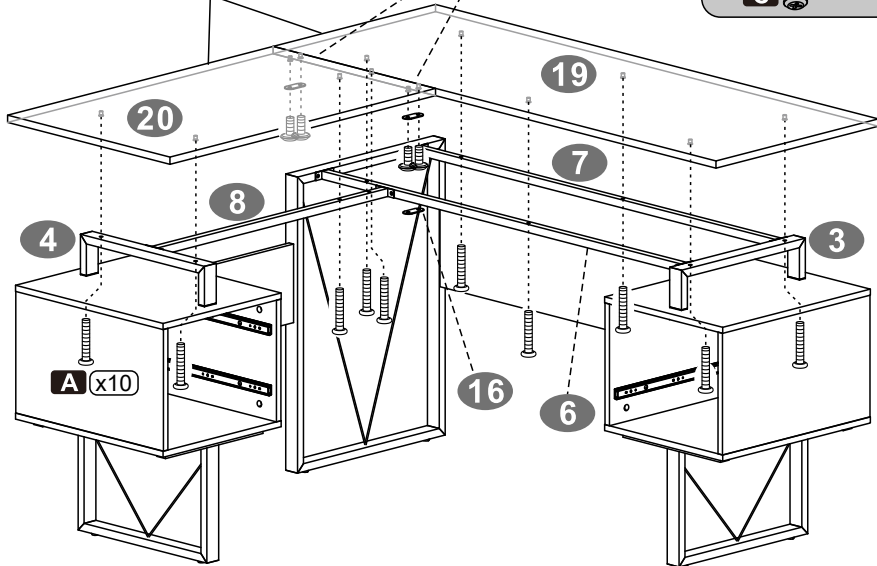
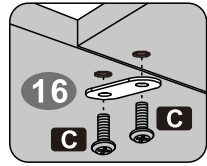
C 6X12 MM

x4



FIRST: Attach #19 and #20 to #3, #4, #6, #7 and #8 with A.

THEN: Attach #16 to #19 and #20 with C.



Screws/Tools

A 6X30 MM

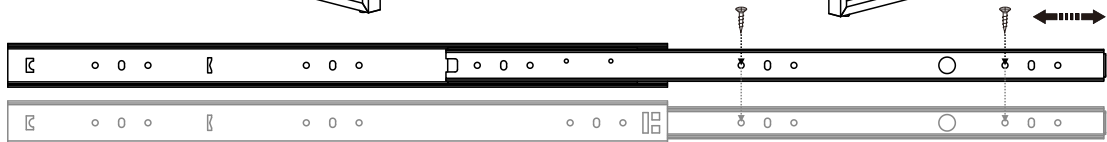
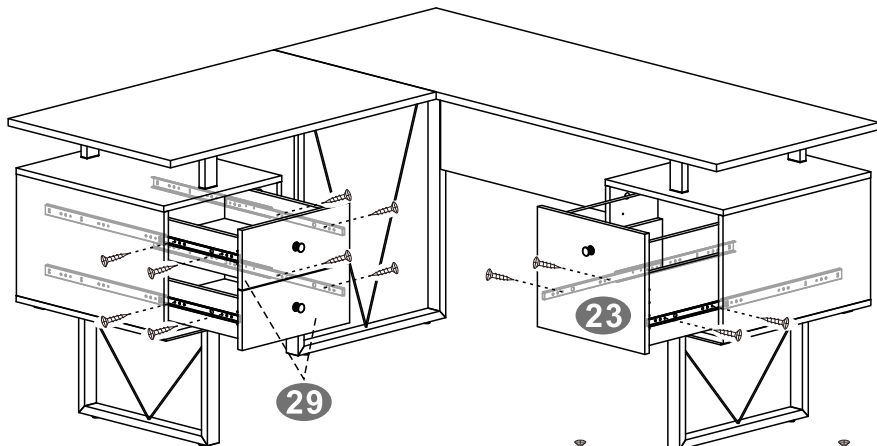
x10

C 6X12 MM

x4



FINALLY: Extend the sliders #21, and use I to attach the file drawer on the RIGHT and the small drawers on the LEFT as indicated.



Screws/Tools

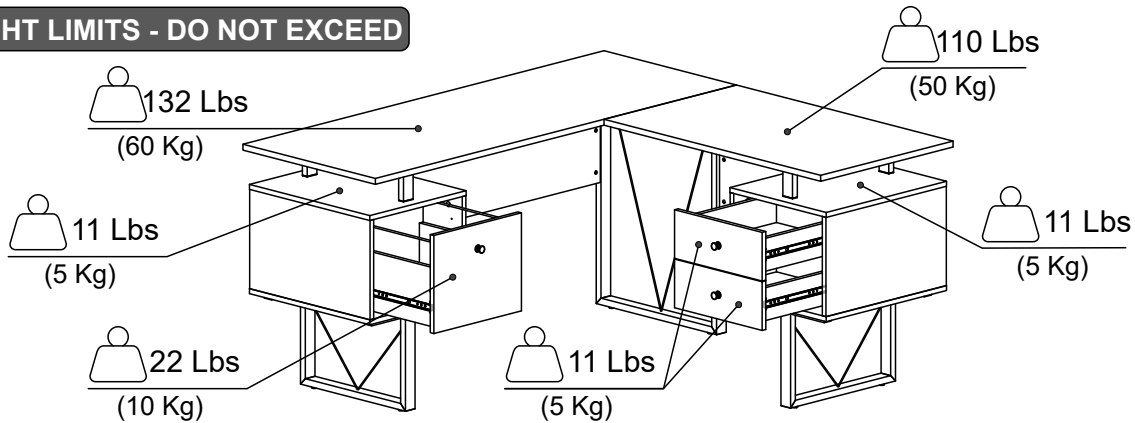
I 3X15 MM

x12

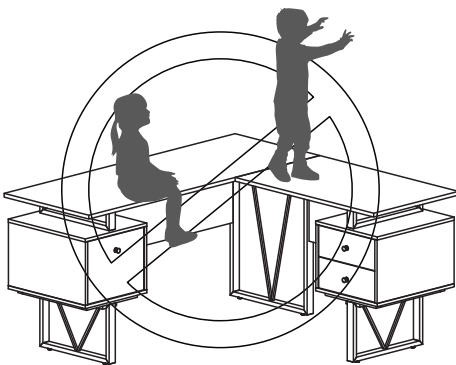
WARNINGS

Not paying attention to the following warnings could result in injuries.

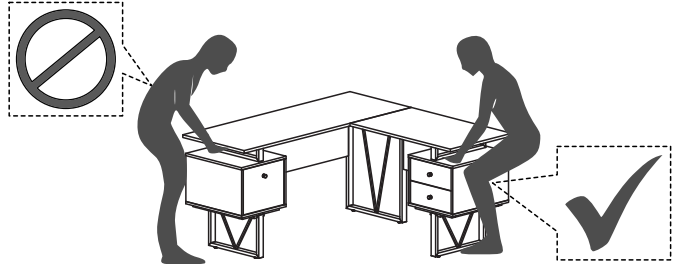
WEIGHT LIMITS - DO NOT EXCEED



- Do not sit, climb or stand on the Unit.
- Do not allow children to play over or below the unit.



- 2 persons are required for moving the unit at distances longer than 2 feet.
- Remove or secure any objects that are heavy or might fall off during moving.
- Lift by bending your knees, not your backs.

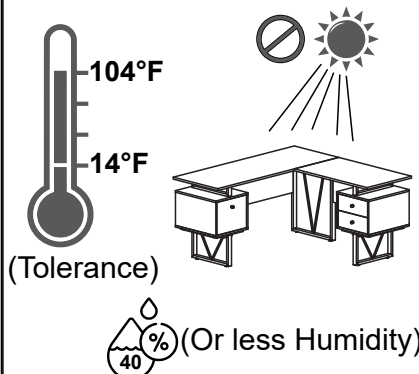


CARE AND MAINTENANCE

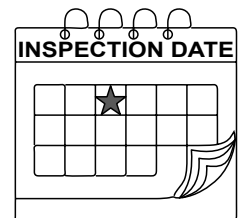
- Clean with a cloth lightly damped in a solution of mild soap and water.
- Do not use solvents or abrasive materials.



Do not expose to direct sunlight or extreme environmental conditions.



Inspect and re-tighten any loose screws every 4 months.



LIMITED WARRANTY



For details, please visit our website: Technimobili.com

To file a claim or request information, please email to: warranty@rtaproducts.com

