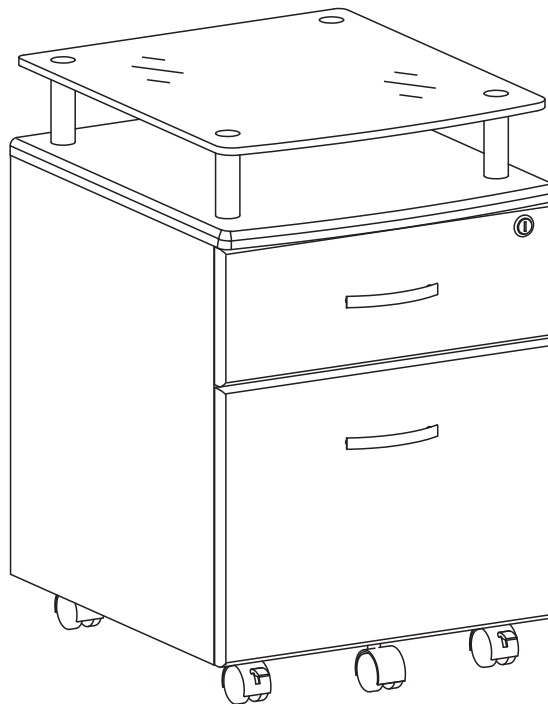


MODEL RTA-S06

ASSEMBLY INSTRUCTIONS

(REV.8-OL-9289-1225)



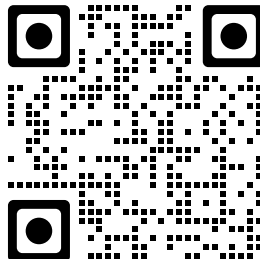
Thank you for purchasing our product!

FRENCH



Scan QR to view the manual in French

ESPAÑOL



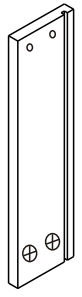
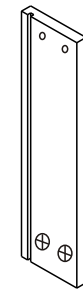
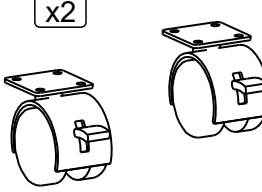
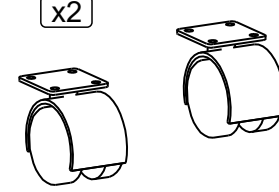
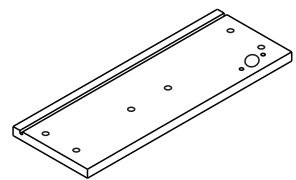
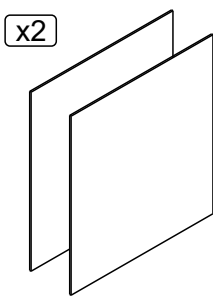
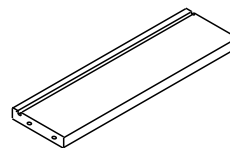
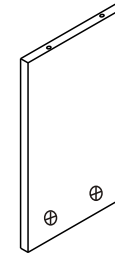
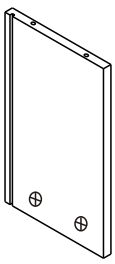
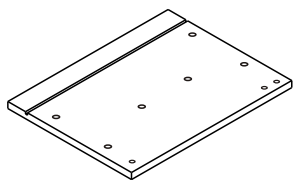
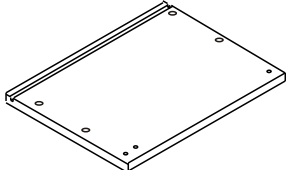
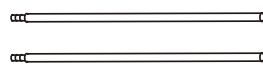
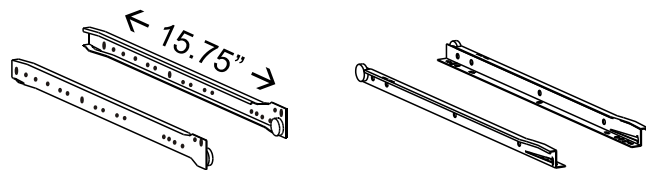
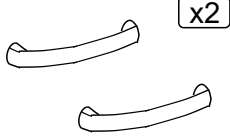
Scanee para ver el manual en Español

ARABIC



Scan QR to view the manual in Arabic

MAIN PARTS LIST

<p>#1 Top drawer left</p> 	<p>#2 Top drawer right</p> 	<p>#3L Locking casters (Front)</p> <p>x2</p> 	<p>#3N Non-Locking casters (Back)</p> <p>x2</p> 
<p>#4 Top drawer front</p> 	<p>#5 Drawer bottom</p> <p>x2</p> 	<p>#6 Top drawer back</p> 	<p>#7 Bottom drawer left</p> 
<p>#8 Bottom drawer right</p> 	<p>#9 Bottom drawer front</p> 	<p>#10 Bottom drawer back</p> 	<p>#11 File tubes</p> <p>← 15.75" →</p>  <p>x2</p>
<p>#12 Sliders</p> <p>x2 Sets of 4 pcs each set</p>  <p>← 15.75" →</p> <p>“Flat”: 2 pcs per set, go inside the cabinet.</p> <p>“L shape”: 2 pcs per set, go on the drawers.</p>		<p>#13 Handles</p> <p>x2</p> 	

For support with assembly questions & replacement parts please email us at: support@rtaproducts.com

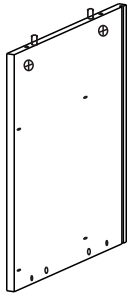
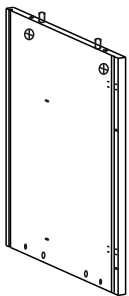
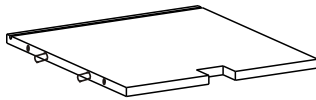
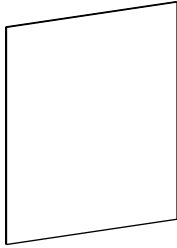
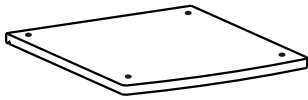
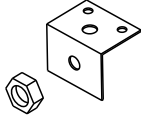
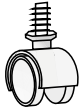
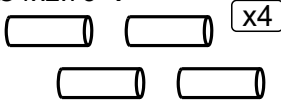
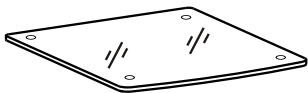




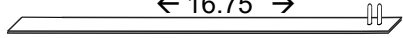






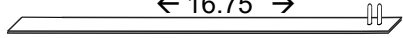






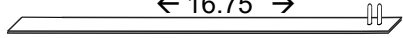




Free shipping within **the 48 Contiguous United States.**

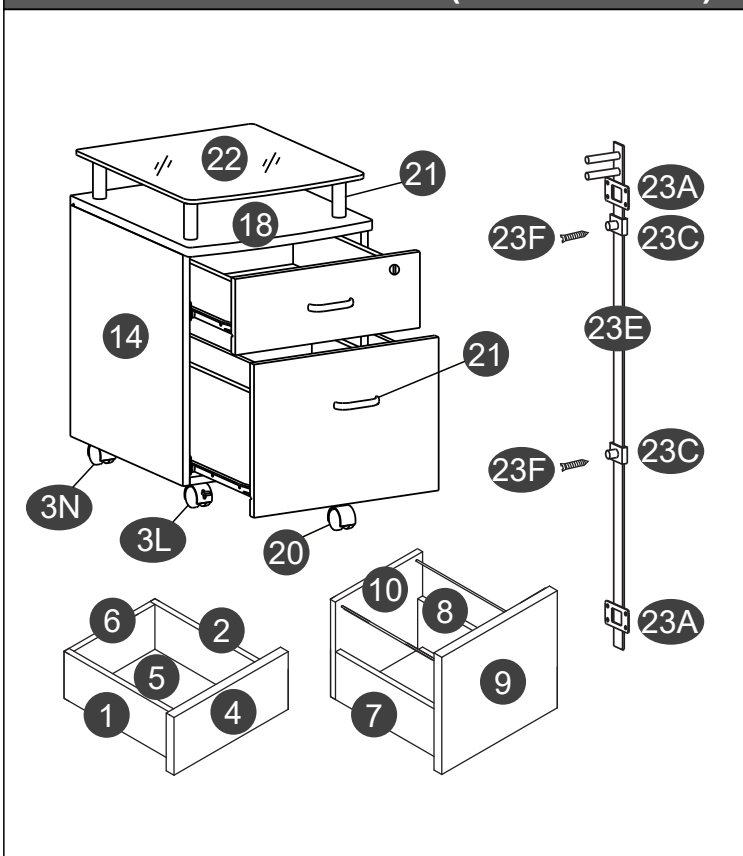


For international customers & **AK-HI-PR** orders, **the customer is responsible for shipping costs plus any International local taxes or duties.**

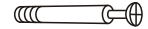
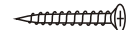






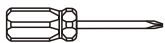
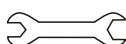
MAIN PARTS LIST

<p>#14 Left side</p> 	<p>#15 Right side</p> 	<p>#16 Bottom base</p> 	<p>#17 Back board</p> 																
<p>#18 Top wood</p> 	<p>#19 L bracket and Nut</p>  <p>x1 Set of 2 pcs</p>	<p>#20 Bottom drawer front wheel</p> 	<p>#21 Support tubes</p> <p>←Ø1x2.75"→</p>  <p>x4</p>																
<p>#22 Top Glass</p> 	<p style="text-align: center;">Locking system metal fittings</p> <table border="0"> <tr> <td>#23A x2</td> <td>#23B x2</td> <td>#23C x2</td> <td>#23D x1 Lock, x2 Keys</td> </tr> <tr> <td></td> <td></td> <td></td> <td></td> </tr> <tr> <td>#23E x1</td> <td>#23F x2</td> <td>#23G x1</td> <td></td> </tr> <tr> <td></td> <td></td> <td></td> <td></td> </tr> </table> <p style="text-align: center;">← 16.75" →</p>			#23A x2	#23B x2	#23C x2	#23D x1 Lock, x2 Keys					#23E x1	#23F x2	#23G x1					
#23A x2	#23B x2	#23C x2	#23D x1 Lock, x2 Keys																
																			
#23E x1	#23F x2	#23G x1																	
																			

MAIN PARTS LAYOUT (For reference)



HARDWARE LIST

Part #	QTY	SIZE/Description	Item
A	16	M6x40	 mm 10 20 30 40 50 60
B	8	M4x35	 mm 10 20 30 40 50 60
C	30	M3x15	 mm 10 20 30 40 50 60
D	4	M4x20	 mm 10 20 30 40 50 60
E	18	M4x14	 mm 10 20 30 40 50 60
F	1	M6x12	 mm 10 20 30 40 50 60
G	4	M6x20 (Headless)	 mm 10 20 30 40 50 60
H	4	M6x35	 mm 10 20 30 40 50 60
	1	Phillips screwdriver	
	1	Hex wrench (Spanner)	

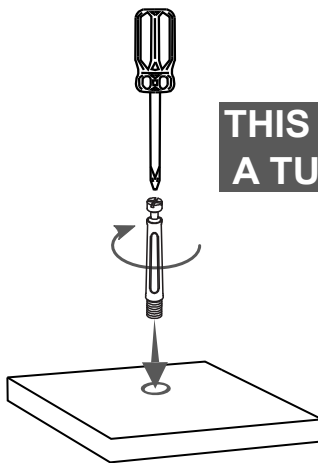
THE ASSEMBLY STEPS START ON NEXT PAGE

CAM BOLT AND CAM LOCK TUTORIAL THE INSTRUCTIONS BELOW ARE NOT ACTUAL ASSEMBLY STEPS



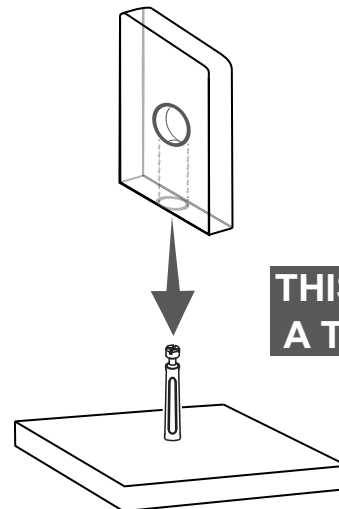
This unit uses cam bolts and locks (also known as mini fixes). If you are not familiar with this kind of hardware, the below is a tutorial that explains how to use them on the steps where they are required.

1. Screw the bolt into the indicated hole on the panel indicated in the assembly step.



**THIS IS ONLY
A TUTORIAL**

2. Join the other panel (with the big hole) to the panel with the bolt. If it comes with the cam locks already pre-installed, make sure to align them to receive the bolt's head (refer to point 3). There might be a very small gap between the panels which is normal.

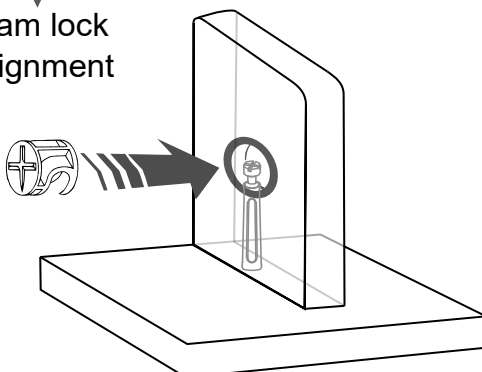


**THIS IS ONLY
A TUTORIAL**

3. Insert the cam lock on the panel with the big hole making sure it goes aligned to receive the bolt's head.



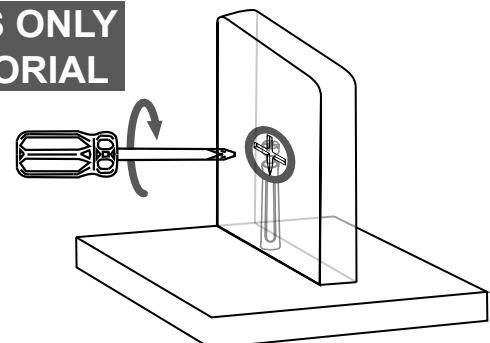
Cam lock alignment



**THIS IS ONLY
A TUTORIAL**

4. Use a Phillips screwdriver to turn the cam lock clockwise. This will lock the panels together and also will close any gaps.

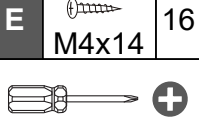
**THIS IS ONLY
A TUTORIAL**



ASSEMBLY STEPS

WE RECOMMEND TO PLACE THE PIECES OVER BLANKETS OR TABLECLOTHS TO PROTECT THEIR FINISH DURING ASSEMBLY.

STEP 1



Use E to attach to #16:

- 3L (locking) at the front;
- 3N (non-locking) at the back.

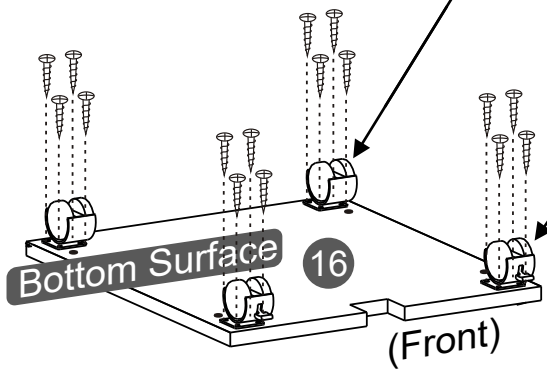
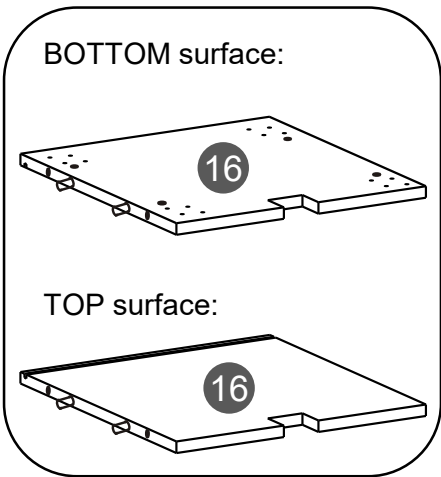
⚠ PAY ATTENTION

NON-LOCKING
go at the back



⚠ PAY ATTENTION

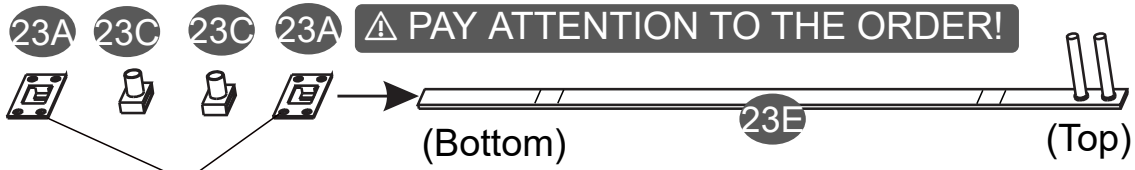
LOCKING
go at the front



STEP 2



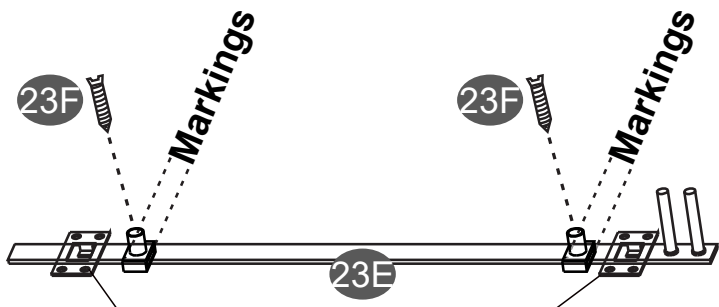
FIRST: Insert #23A and #23C into #23E.



⚠ PAY ATTENTION: #23A flat side go UP!

THEN: Align #23C with the markings and secure them with #23F.

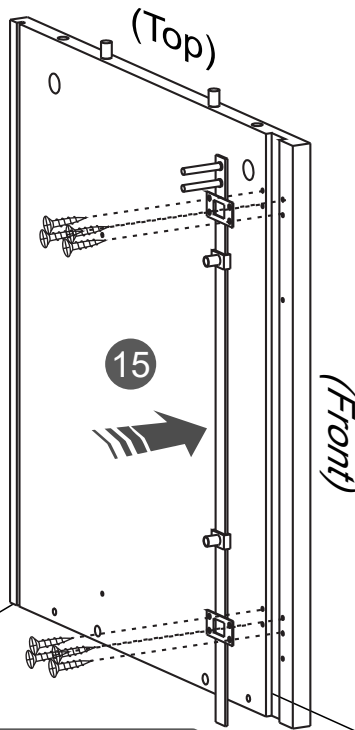
⚠ PAY ATTENTION:
If you don't align #23C within the markings, the locking system will not work!



NOTE: #23A will stay loose.

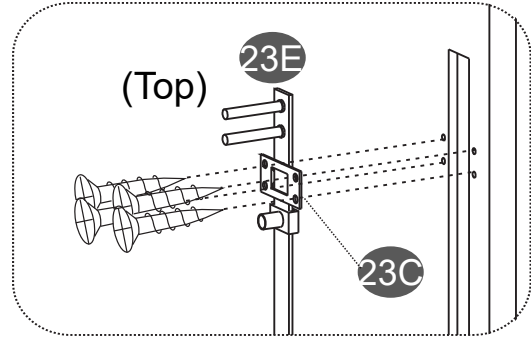
STEP 3

C  **M3x15** **8**



⚠ PAY ATTENTION:

- #23E goes with its rods at the top.
- #23E enters into the channel.

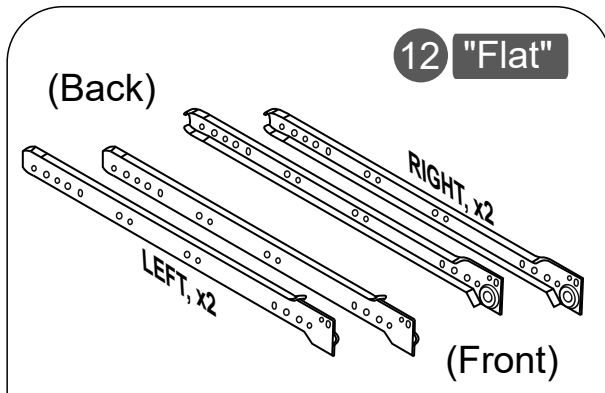


NOTE: Small channel at back.

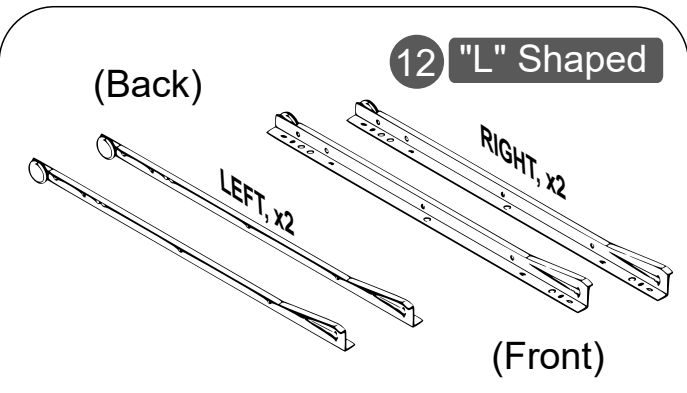
NOTE: Big channel at front.

STEP 4

Group the sliders #12 into "Flats" and "L shaped"



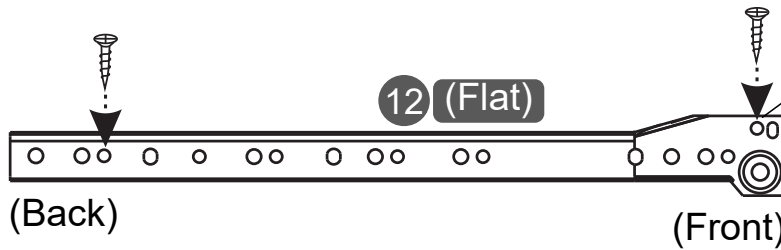
The "Flat" pieces will be used in the next step.



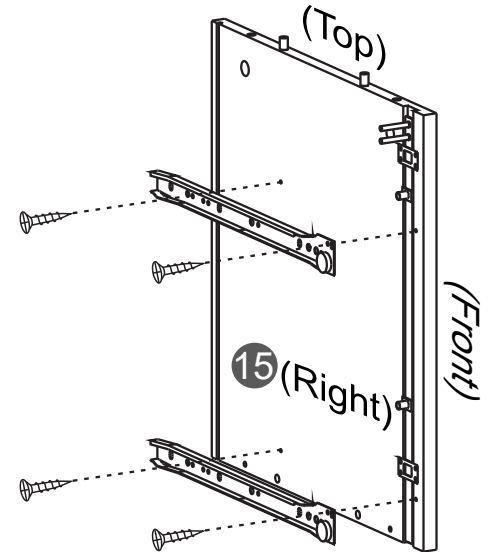
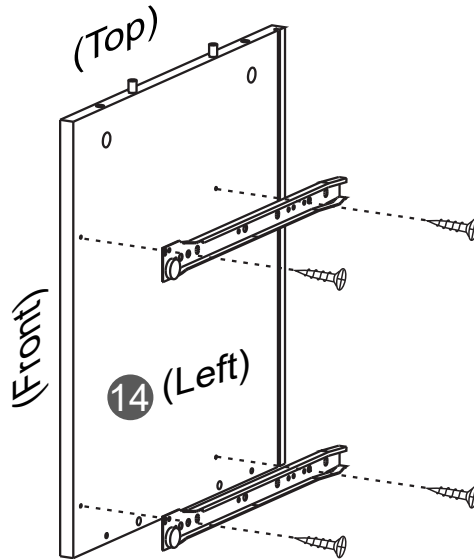
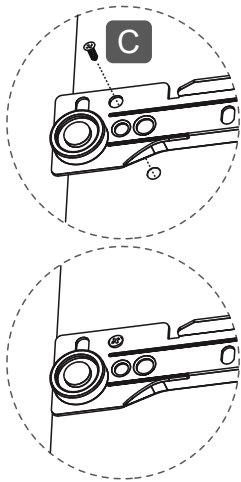
The "L" shaped pieces won't be used until later on, so please set them aside.

STEP 5

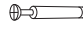
C  **M3x15** **8**

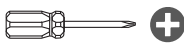


NOTE: #12 will be flushed with the edge of the panels.

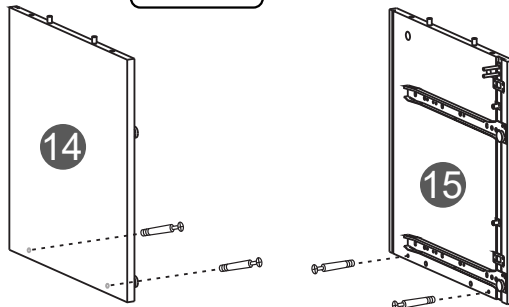


STEP 6

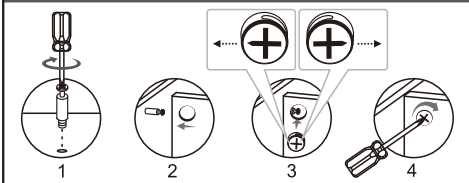
A  **M6x40** **4**



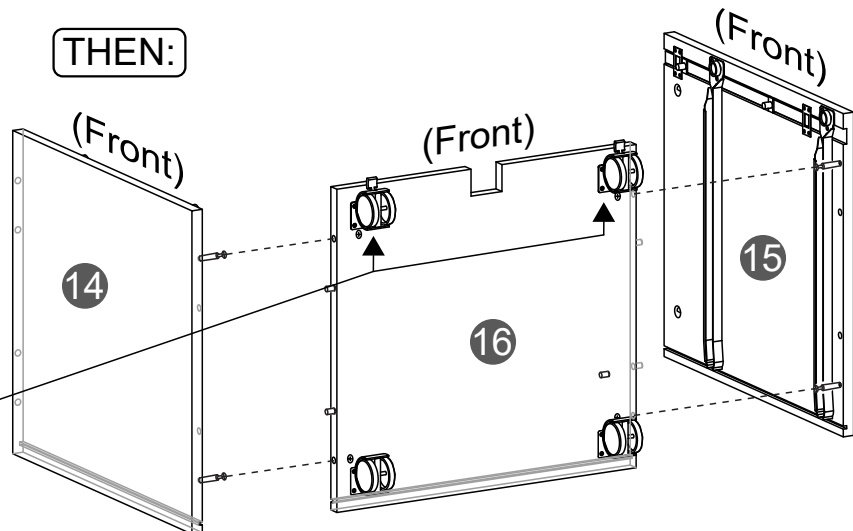
FIRST:



If you're unsure how to complete this step, please refer to the instructions on the Tutorial Page.

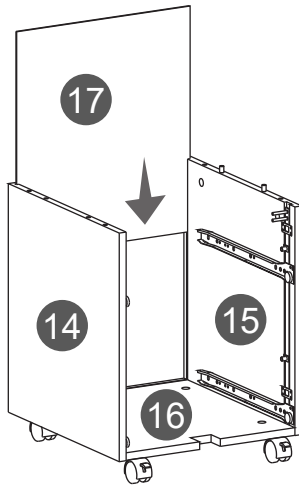


THEN:



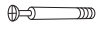

⚠ PAY ATTENTION!
The locking casters go at the **FRONT**. Review step 1 to make sure of it.

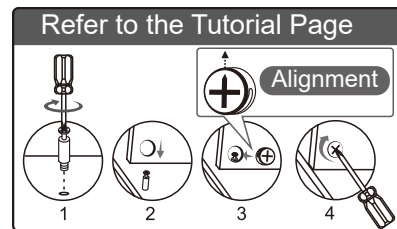
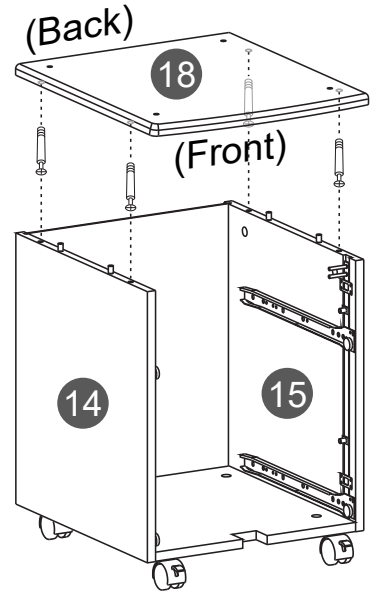
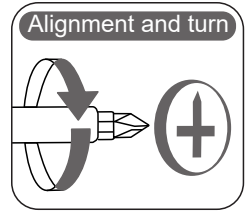
STEP 7



NOTE: #17 slides through #14 and #15 and into #16.

STEP 8

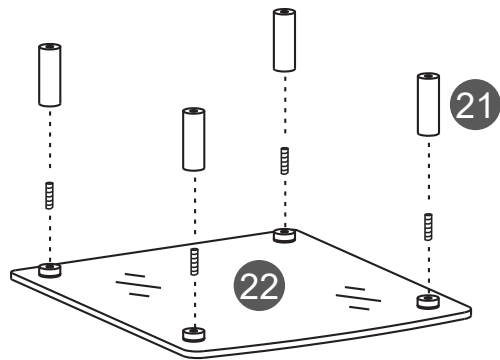
A	 4
	M6x40
	 +



STEP 9

G	 4
	M6x20

TIP: Screw first G into #21, then #21 into the discs of #22.



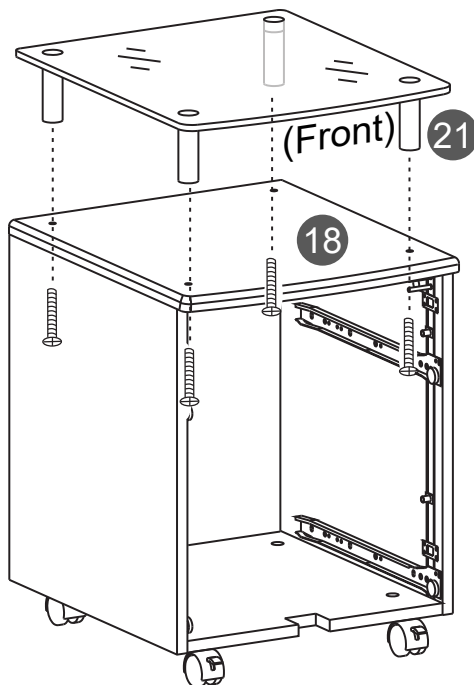
STEP 10

H  4
M6x35



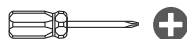
TIPS:

- Screw loosely to allow flexibility and ensure proper alignment.
- Tighten until after all the screws are in place.

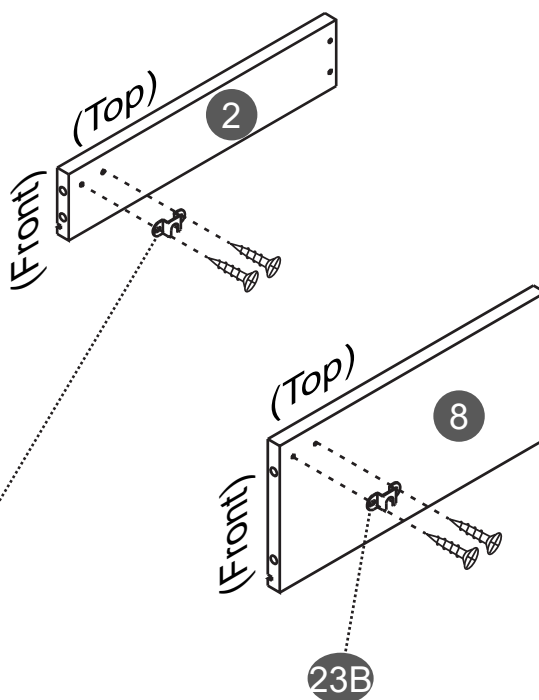
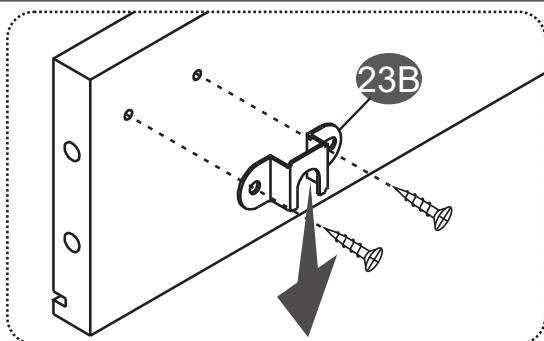


STEP 11

C  4
M3x15

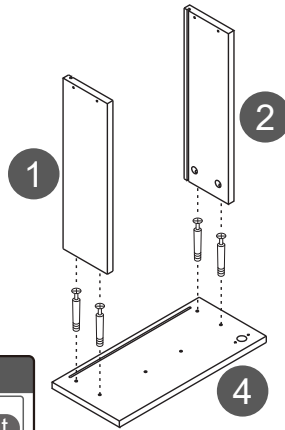


⚠ PAY ATTENTION:
The "U" on #23B **MUST** face DOWN.

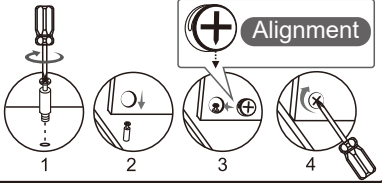


STEP 12

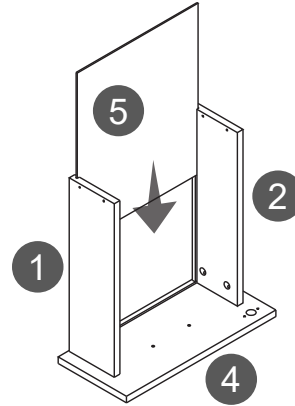
A  4
M6x40



Refer to the Tutorial Page

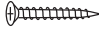


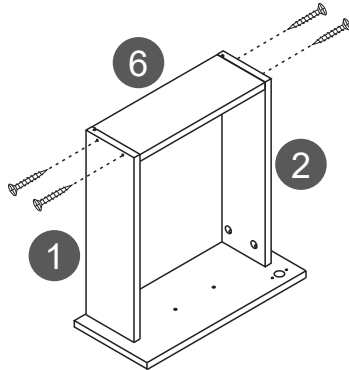
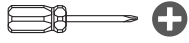
STEP 13



NOTE: #5 slides through #1 and #2 and into #4.

STEP 14

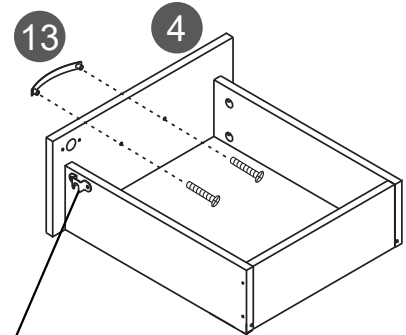
B  4
M4x35



TIP: Screw as level as possible to avoid slanting and wood splitting.


STEP 15

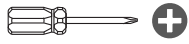
D  2
M4x20



⚠ PAY ATTENTION!
Reminder: "U" must face down on #23B.

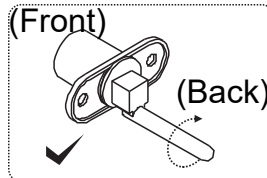
STEP 16

C  2
M3x15

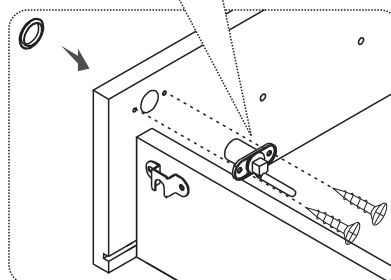
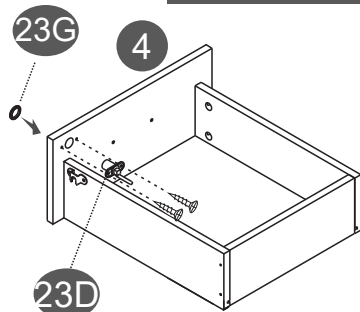
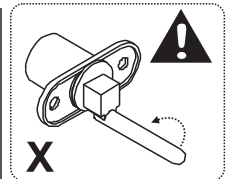


⚠ PAY ATTENTION! Test the lock with the keys and make sure the rod rotates from bottom to top in COUNTER-CLOCK motion.

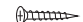

CORRECT:
Bottom to top in counter-clock motion.

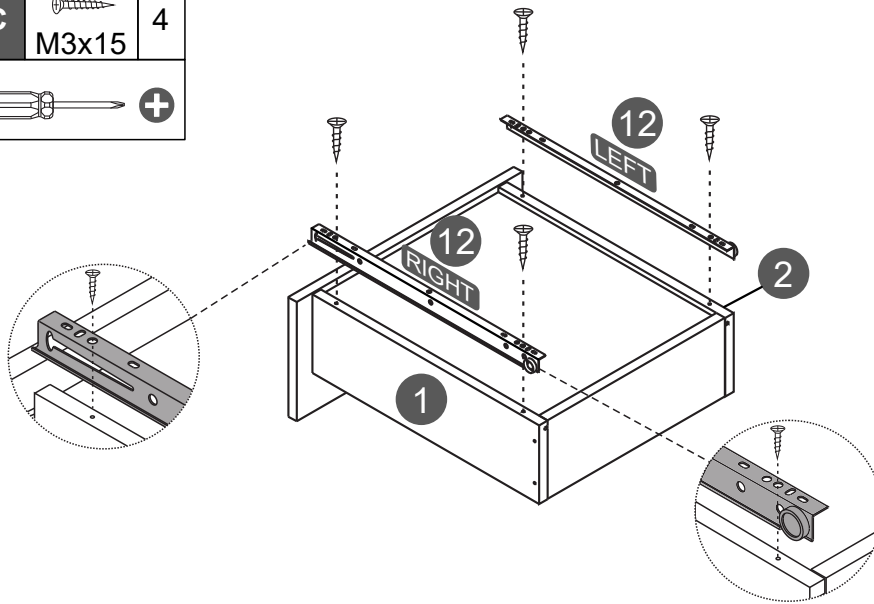


INCORRECT:
The rod might get stuck, the drawer might lock unable to open.



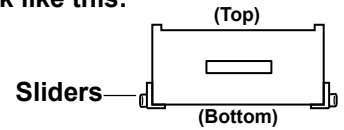
STEP 17

C		4
	M3x15	
		

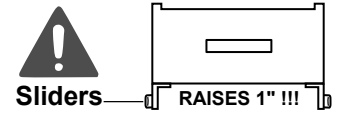


⚠ PAY ATTENTION!

When finished, the sliders look like this:



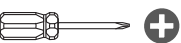
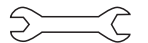


If you install as below, the drawer raises 1" and won't fit in the unit.



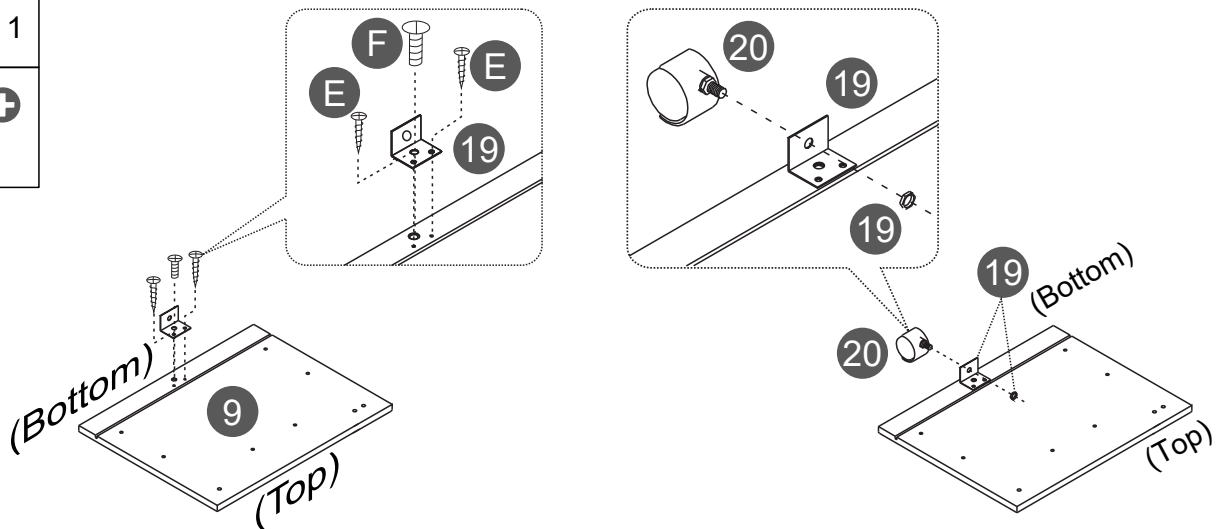
⚠ PAY ATTENTION:
Wheel towards the back.

STEP 18


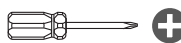
E		2
	M4x14	
F		1
	M6x12	
		
		

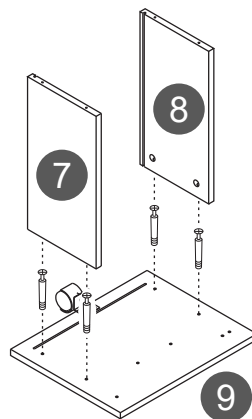
FIRST: Attach #19 to #9 with E and F.

THEN: Attach #20 to #19 with the nut #19.

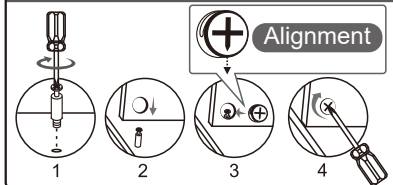


STEP 19

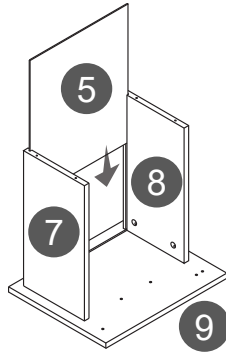
A		4
	M6x40	
		



Refer to the Tutorial Page

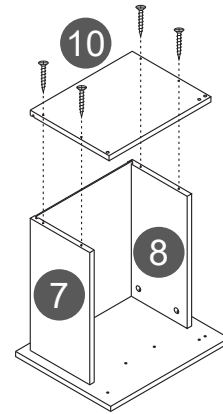
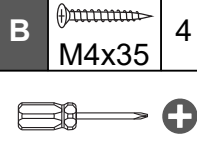


STEP 20



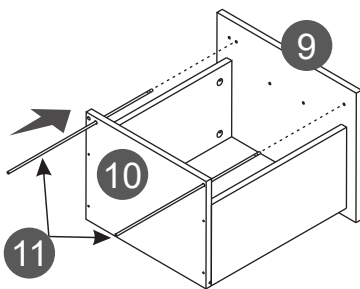
NOTE: #5 slides through #7 and #8 and into #9.

STEP 21



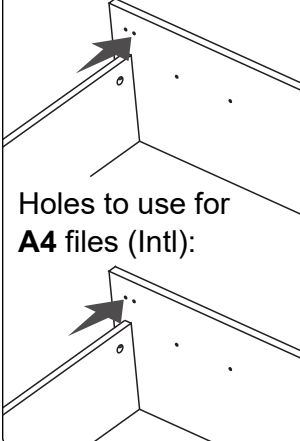
TIP: Screw as straight as possible to avoid slanting and wood splitting.

STEP 22

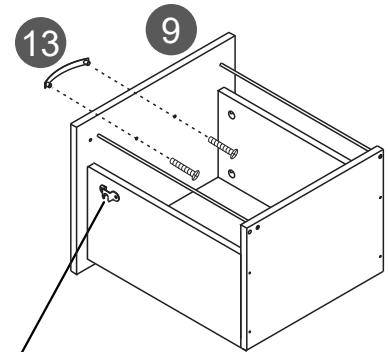
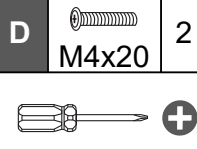


NOTE: #11 go through #10 and into #9.

⚠ PAY ATTENTION!
Holes to use for **LETTER** files (U.S.):

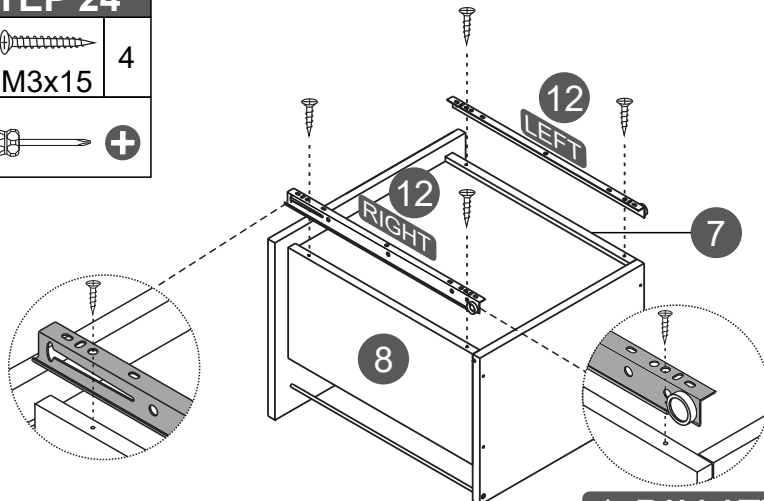
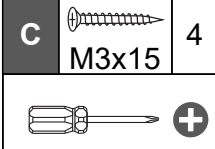


STEP 23



⚠ PAY ATTENTION!
Reminder: "U" must face down on #23B.

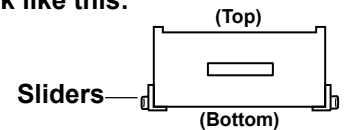
STEP 24



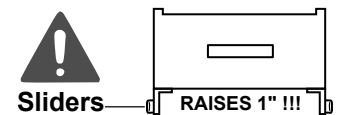
⚠ PAY ATTENTION:
Wheel towards the back.

⚠ PAY ATTENTION!

When finished, the sliders look like this:

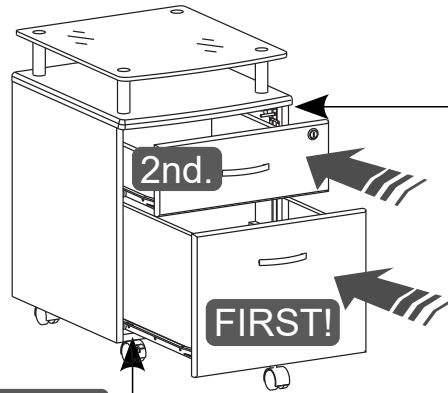
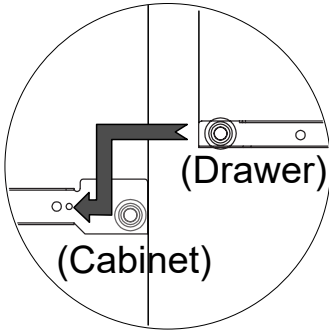


If you install as below, the drawer raises 1" and won't fit in the unit.



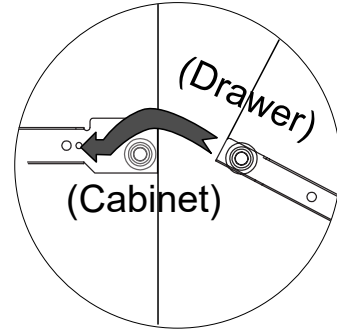
STEP 25

FINALLY: Insert the drawers into the unit, the bottom drawer **FIRST**.



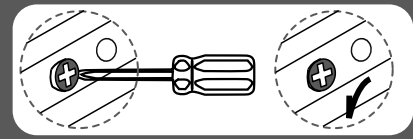
⚠ PAY ATTENTION:

- Insert the top drawer at an angle facing **DOWN**.
- If the rods from the bar 23E block the drawer, carefully lift the bar a little bit to allow the drawer to pass through.



⚠ PAY ATTENTION:
The wheel from the drawer slides in the middle of the slider inside the cabinet.

⚠ PAY ATTENTION:
If the drawers don't close completely, remove them and tighten the slider screws inside as flushed as possible.

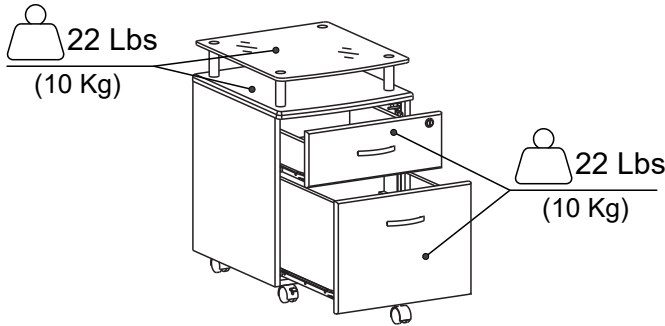


TROUBLESHOOTING THE LOCKING SYSTEM

<p>Please note that the drawers will lock only if both are completely closed.</p>	<p>If the drawers don't seem to lock properly, review the assembly of steps 2, 3, 5, 11, 16, 17 and 24.</p>
<p>If the keys are lost but the drawers are unlocked, replace them with a new set of lock and keys.</p>	<p>If the drawers are locked and the keys no longer work or got lost, please contact the Support Team for further assistance resolving this problem; do not attempt to force or pry open the drawers to avoid accidental damages.</p>

WARNINGS

Not paying attention to the following warnings could result in injuries.

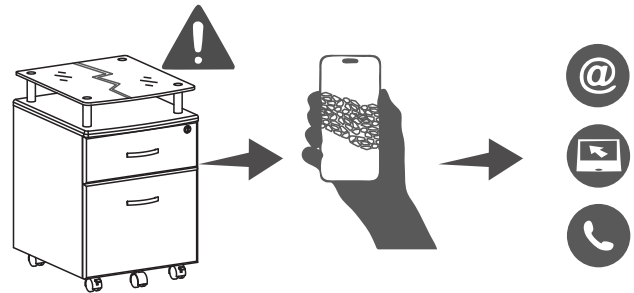
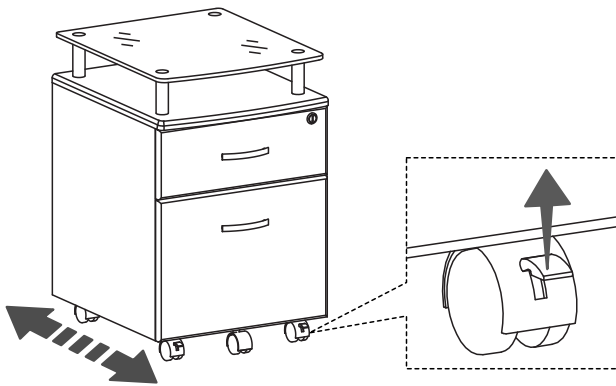


- Do not sit, climb or stand on the Unit.
- Do not allow children to play with the unit.



- Make sure to unlock the front wheels before rolling the unit away, and secure the objects that are on the the top.

The top is made of safety tempered glass. In the event of accidental breakage, do not touch the broken glass with bare hands, and keep children and pets at a safe distance. Before cleaning up the area, take photos of the damage and contact the Support Team for help or a possible replacement.

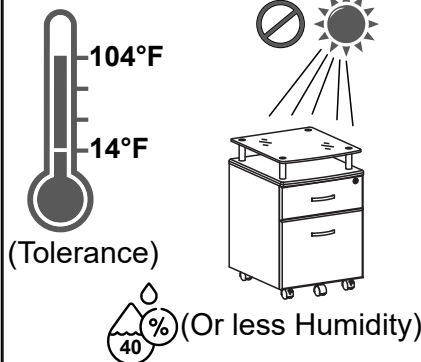


CARE AND MAINTENANCE

- Clean with a cloth lightly dampened in a solution of mild soap and water.
- Do not use solvents or abrasive materials.



Do not expose to direct sunlight or extreme enviromental conditions.



Inspect and re-tighten any loose screws every 4 months.



LIMITED WARRANTY

To file a claim or request information, please email to: warranty@rtaproducts.com

