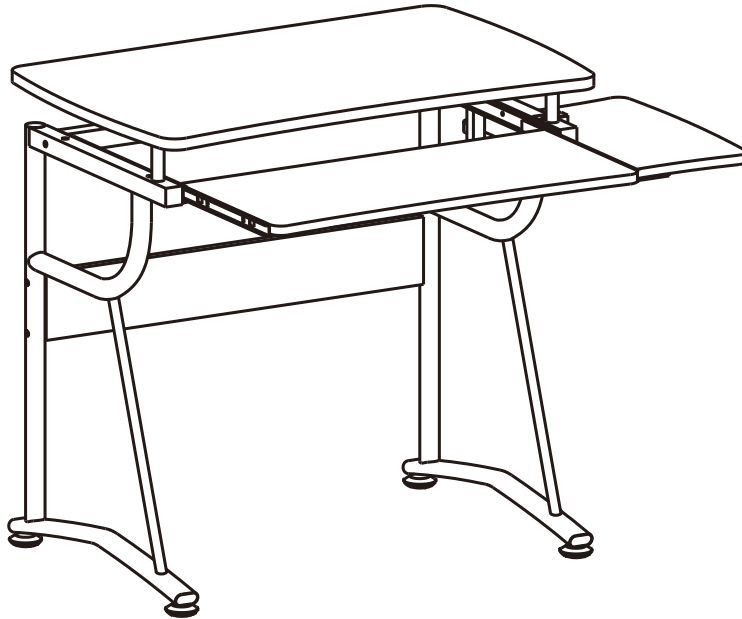


MODEL RTA-8336

ASSEMBLY INSTRUCTIONS

(REV.5-OL-9289-1225)



Thank you for purchasing our product!



Visit our
Website



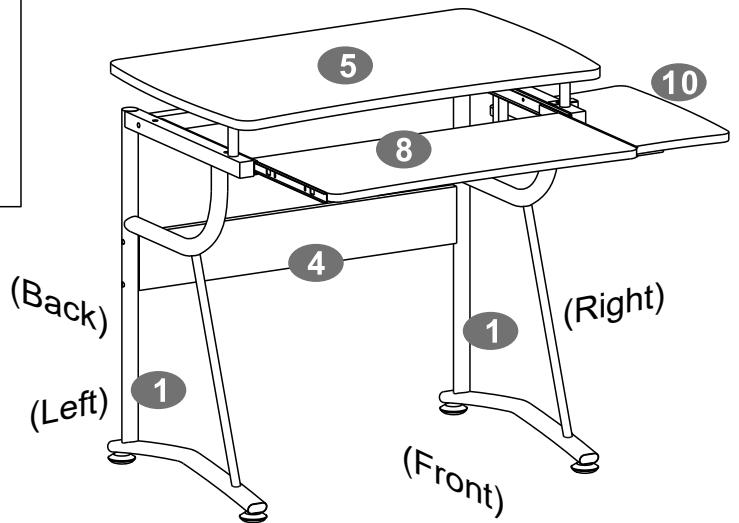
Contact Us



MAIN PARTS LIST

| | | | |
|---------------------------------------|---------------------------------------|---|--------------------------------|
| <p>#1 Legs x2</p> | <p>#2 Long tube</p> | <p>#3 Glide studs x4</p> | <p>#4 Back</p> |
| <p>#5 Tabletop</p> | <p>#6 Support tubes x4</p> | <p>#7 Sliders x1 Set</p> | <p>#8 Keyboard tray</p> |
| <p>#9 Side supports x2</p> | <p>#10 Side shelf</p> | <p>Main parts Layout (For Reference and orientation)</p> | |

**Main parts Layout
(For Reference and orientation)**



| Hardware | | | Hardware | | |
|----------|-------|------|----------|-------|------|
| No. | Item | Qty. | No. | Item | Qty. |
| A | M6x60 | 6 | E | M6x25 | 4 |
| B | M6x40 | 4 | F | M4x14 | 4 |
| C | M4x33 | 4 | G | M6x30 | 4 |
| D | M6x12 | 2 | | | |

| Included Tools | |
|----------------------|--|
| Phillips Screwdriver | |
| Hex key (Spanner) | |

For support with assembly questions & replacement parts please email us at: support@rtaproducts.com



Free shipping within **the 48 Contiguous United States.**



For international customers & **AK-HI-PR** orders, **the customer is responsible for shipping costs plus any International local taxes or duties.**

ASSEMBLY STEPS

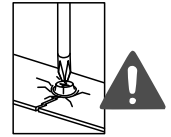
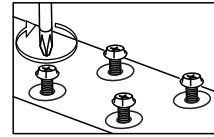
- Use sheets or blankets to protect the product's finish during assembly.



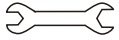
- Some of the steps might require 2 people.



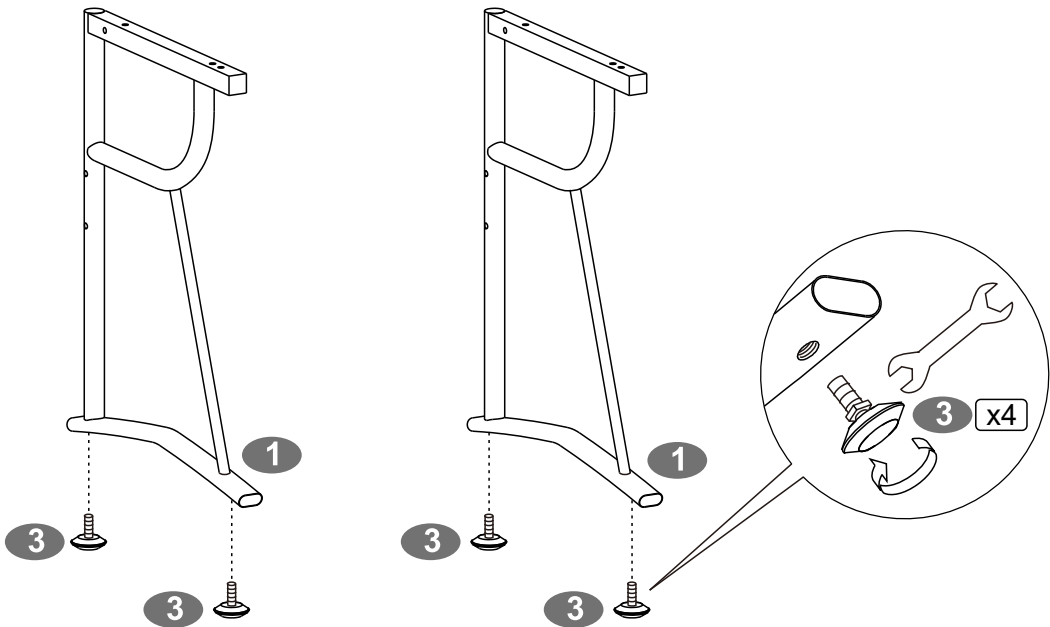
- Install the screws loosely, tighten after all are positioned, and DO NOT overtighten.



STEP 1



Install #3 into the bottom holes of the legs #1.

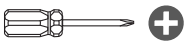


STEP 2

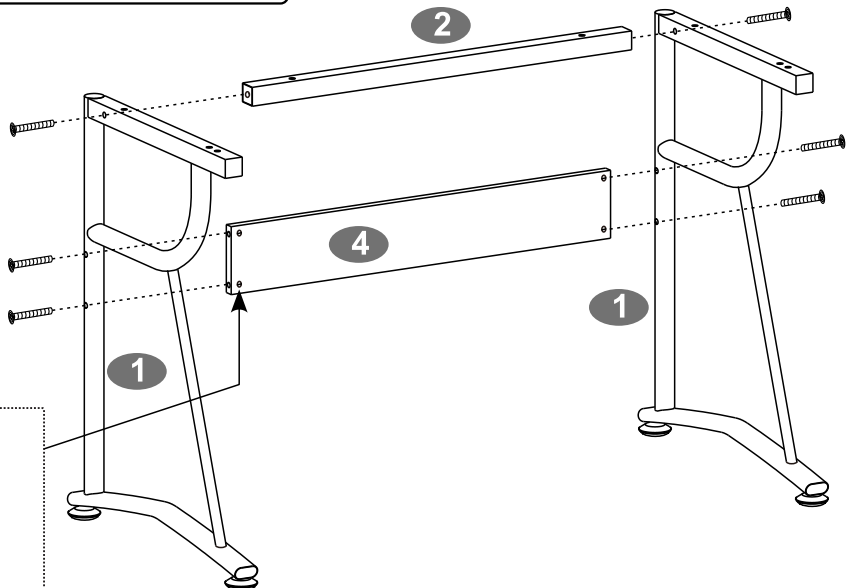
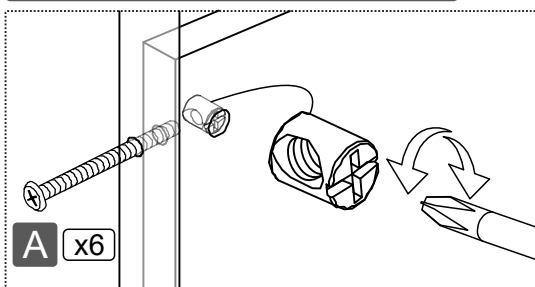


Use A to assemble #2 and #4 to #1.

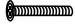
A  6
M6x60



⚠ PAY ATTENTION!
On #4, you might need to align the nuts by turning them so their holes can receive the screws.

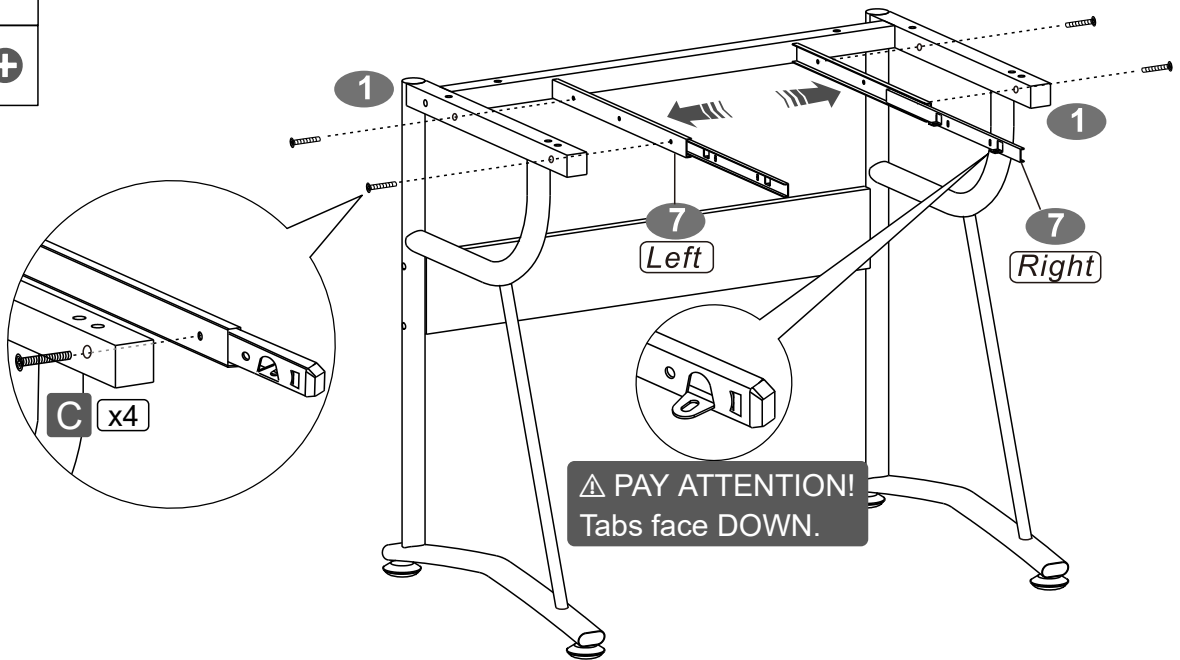


STEP 3

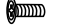
C  4
M4x33

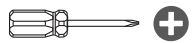


Use C to install #7 to #1.

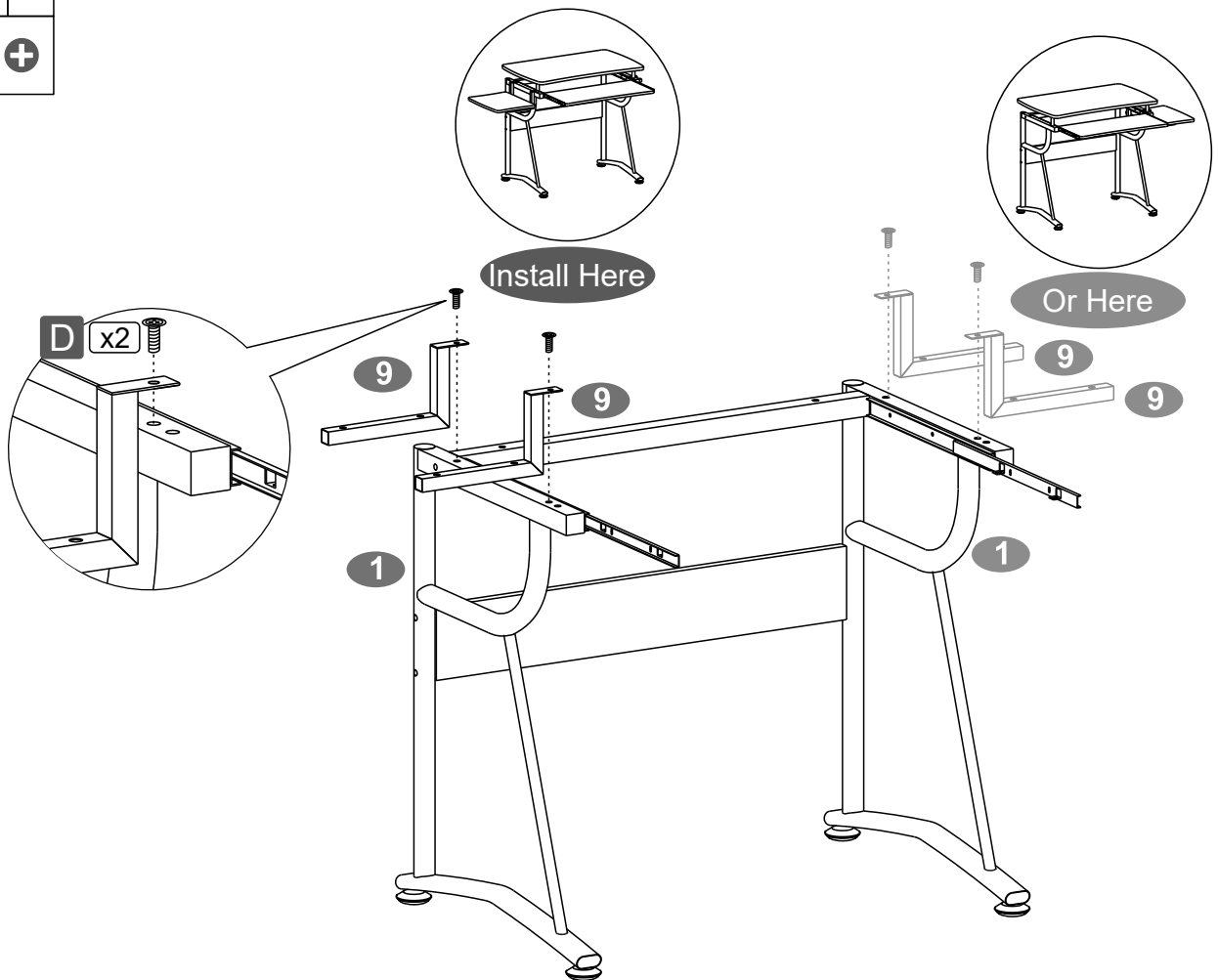


STEP 4

D  2
M6x12



Use D to assemble #9 to #1 on the side of your preference.

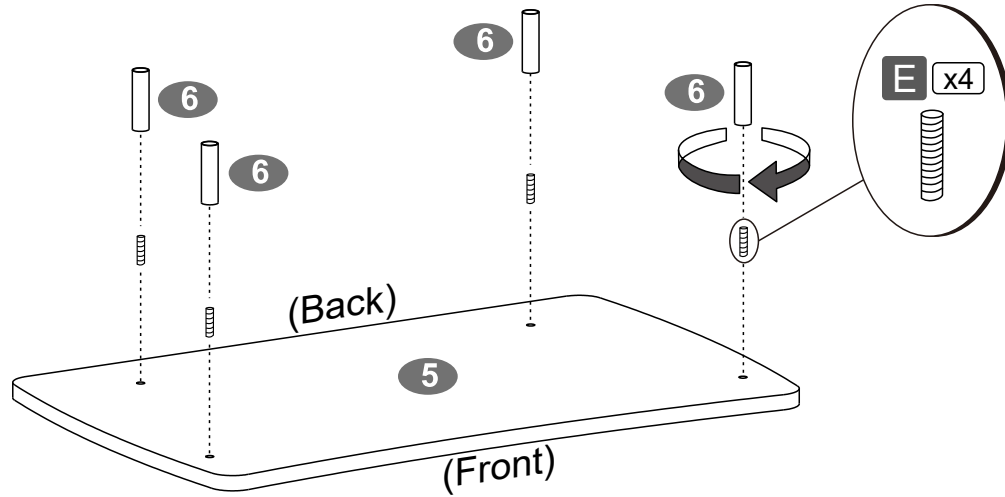


STEP 5

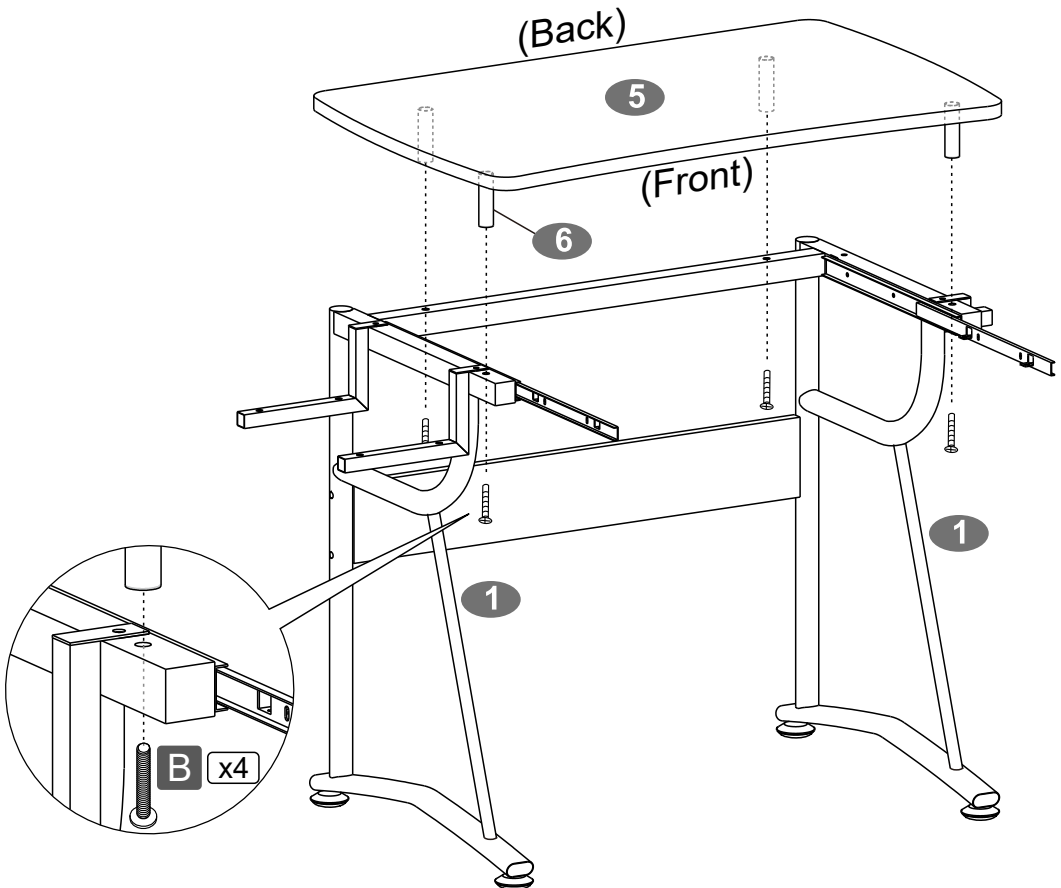


| | | |
|---|-------|---|
| B | M6x40 | 4 |
| E | M6x25 | 4 |
| + | | |

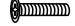
1st: Install #6 to #5 with E.



2nd: Carefully place the tabletop over the frame, and use B to secure the tubes #6 to #1.

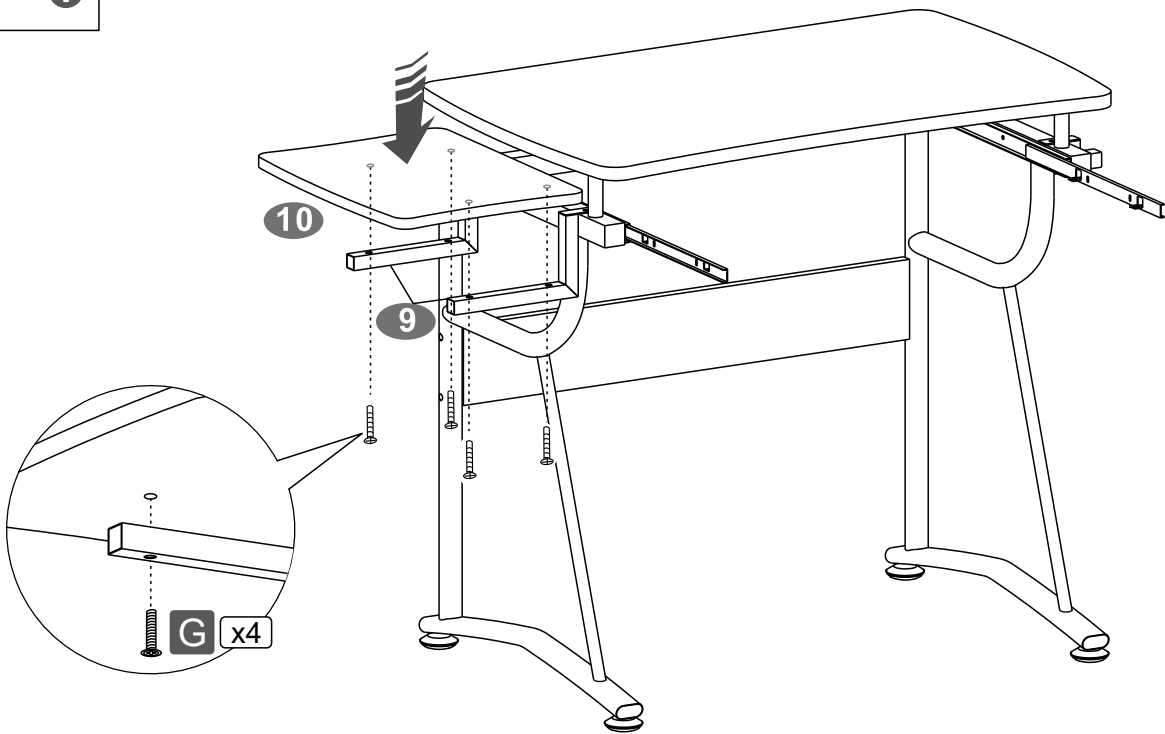


STEP 6

G  4
M6x30



Use G to attach #10 to #9.

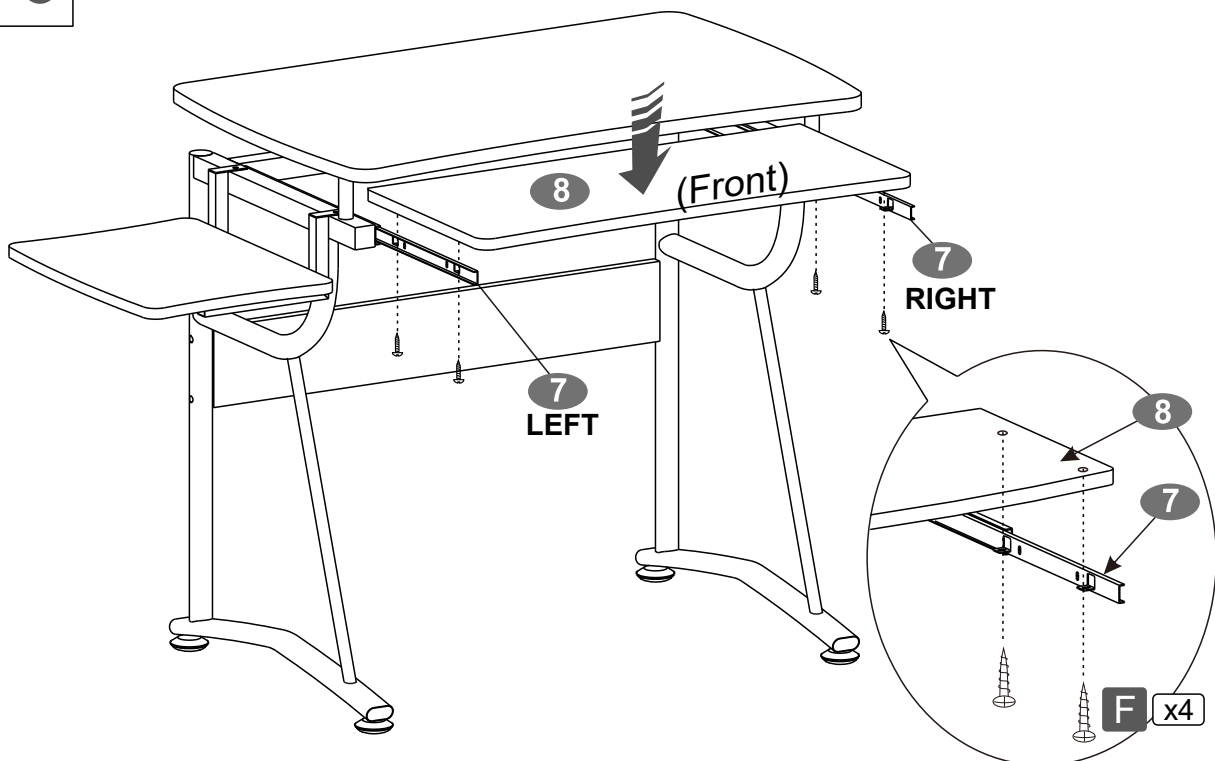


STEP 7

F  4
M4x14



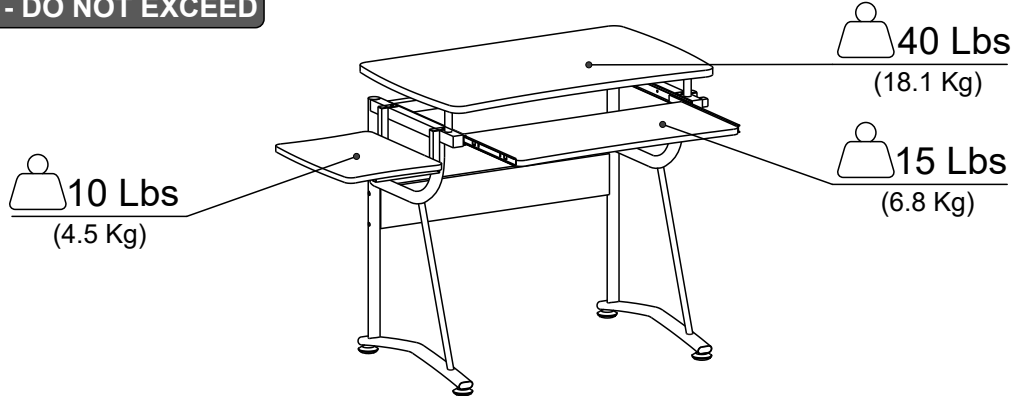
FINALLY, use F to attach #8 to #7.



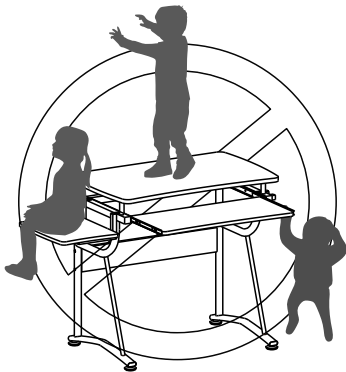
WARNINGS

Not paying attention to the following warnings could result in injuries.

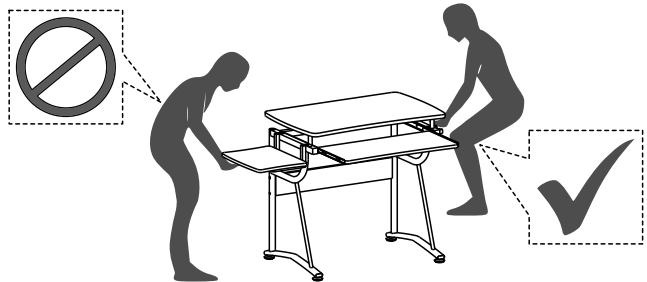
WEIGHT LIMITS - DO NOT EXCEED



- Do not sit, climb or stand on the Unit.
- Do not allow children to play over or below the unit.



- 2 persons are required for moving the unit at distances longer than 2 feet.
- Remove or secure any objects that are heavy or might fall off during moving.
- Lift by bending your knees, not your backs.

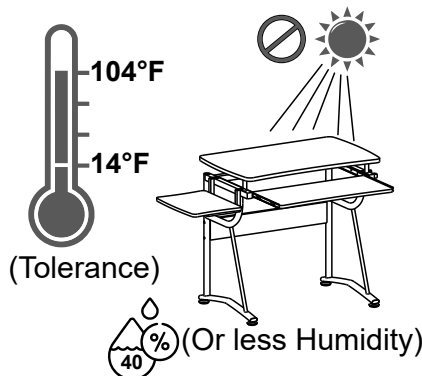


CARE AND MAINTENANCE

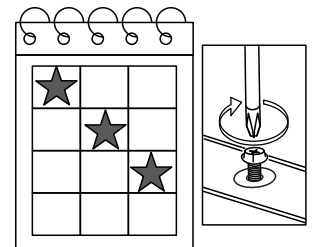
- Clean with a cloth lightly dampened in a solution of mild soap and water.
- Do not use solvents or abrasive materials.



Do not expose to direct sunlight or extreme environmental conditions.



Inspect and re-tighten any loose screws every 4 months.



LIMITED WARRANTY

To file a claim or request information, please email to: warranty@rtaproducts.com

